

US00D934429S

(12) **United States Design Patent** (10) **Patent No.:** **US D934,429 S**
Li (45) **Date of Patent:** **** Oct. 26, 2021**

(54) **EYE-TRACKING DEVICE**
(71) Applicant: **BEIJING 7INVENSUN TECHNOLOGY CO., LTD.**, Beijing (CN)
(72) Inventor: **Junsheng Li**, Beijing (CN)
(73) Assignee: **BEIJING 7INVENSUN TECHNOLOGY CO., LTD.**, Beijing (CN)

D613,402 S * 4/2010 Roberts D24/137
D739,535 S * 9/2015 Stoder D24/172
D834,713 S * 11/2018 Myers D24/137
10,698,205 B2 * 6/2020 Huang G02B 27/0176
2017/0027470 A1 * 2/2017 Inoue G02C 5/12
2017/0052392 A1 * 2/2017 Chute G02C 7/086
2017/0307905 A1 * 10/2017 Blum G02F 1/133526

* cited by examiner

Primary Examiner — Rhea Shields

(**) Term: **15 Years**

(21) Appl. No.: **29/666,363**

(22) Filed: **Oct. 11, 2018**

(30) **Foreign Application Priority Data**

Apr. 12, 2018 (CN) 201830149219.7

(51) **LOC (13) Cl.** **24-02**

(52) **U.S. Cl.**
USPC **D24/172**

(58) **Field of Classification Search**
USPC D24/172, 137
CPC . G02B 27/0176; G02F 1/133526; G02C 5/12;
G02C 7/086

See application file for complete search history.

(56) **References Cited**

U.S. PATENT DOCUMENTS

D550,845 S * 9/2007 Yamaoka D24/172
D607,562 S * 1/2010 Heine D24/137

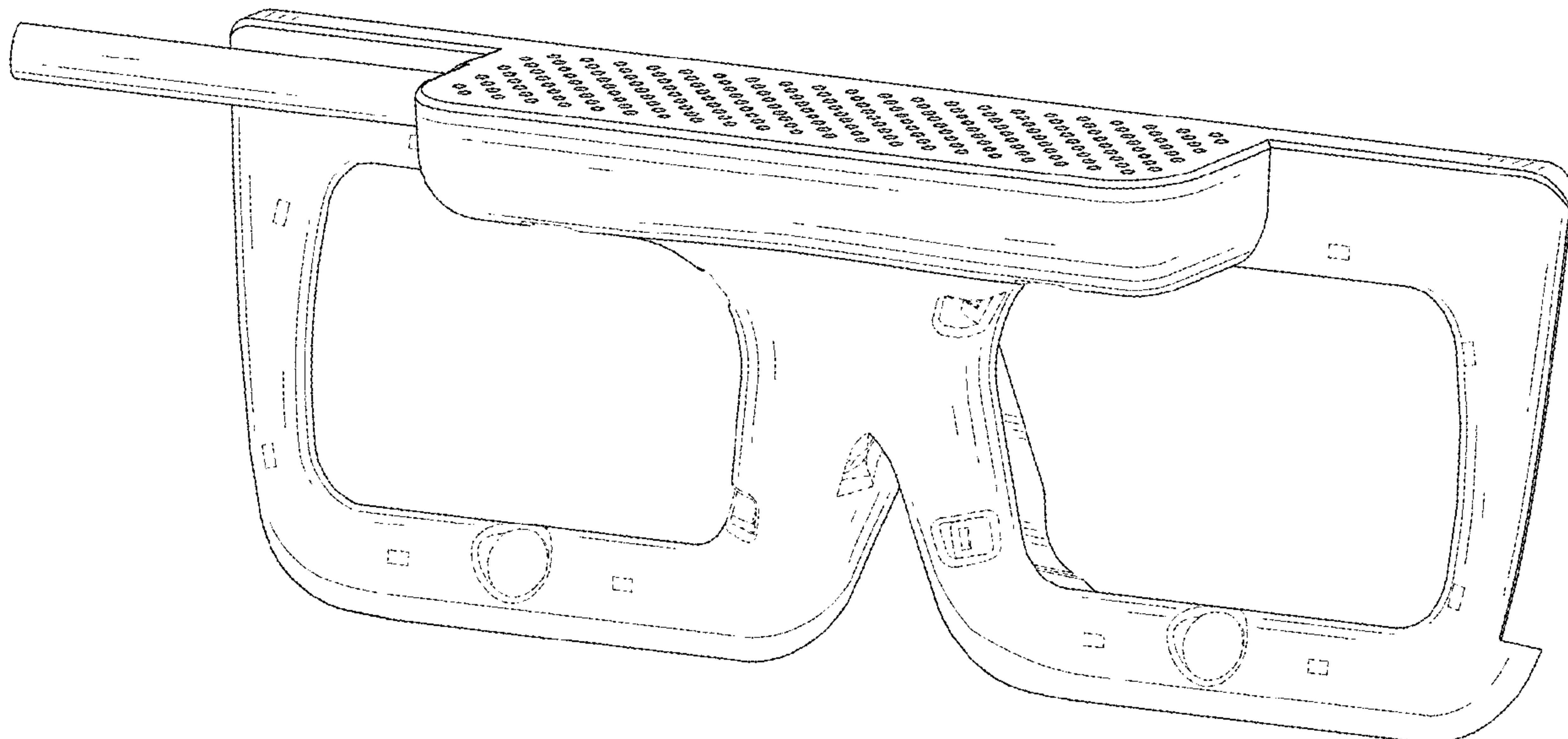
(57) **CLAIM**

The ornamental design for an eye-tracking device, as shown and described.

DESCRIPTION

FIG. 1 is a front, top and right side perspective view of an eye-tracking device showing my new design;
FIG. 2 is a front elevational view thereof;
FIG. 3 is a rear elevational view thereof;
FIG. 4 is a left side view thereof;
FIG. 5 is a right side view thereof;
FIG. 6 is a top plan view thereof; and,
FIG. 7 is a bottom plan view thereof.
The broken lines in the drawings illustrate portions of the eye-tracking device which form no part of the claimed design.

1 Claim, 7 Drawing Sheets



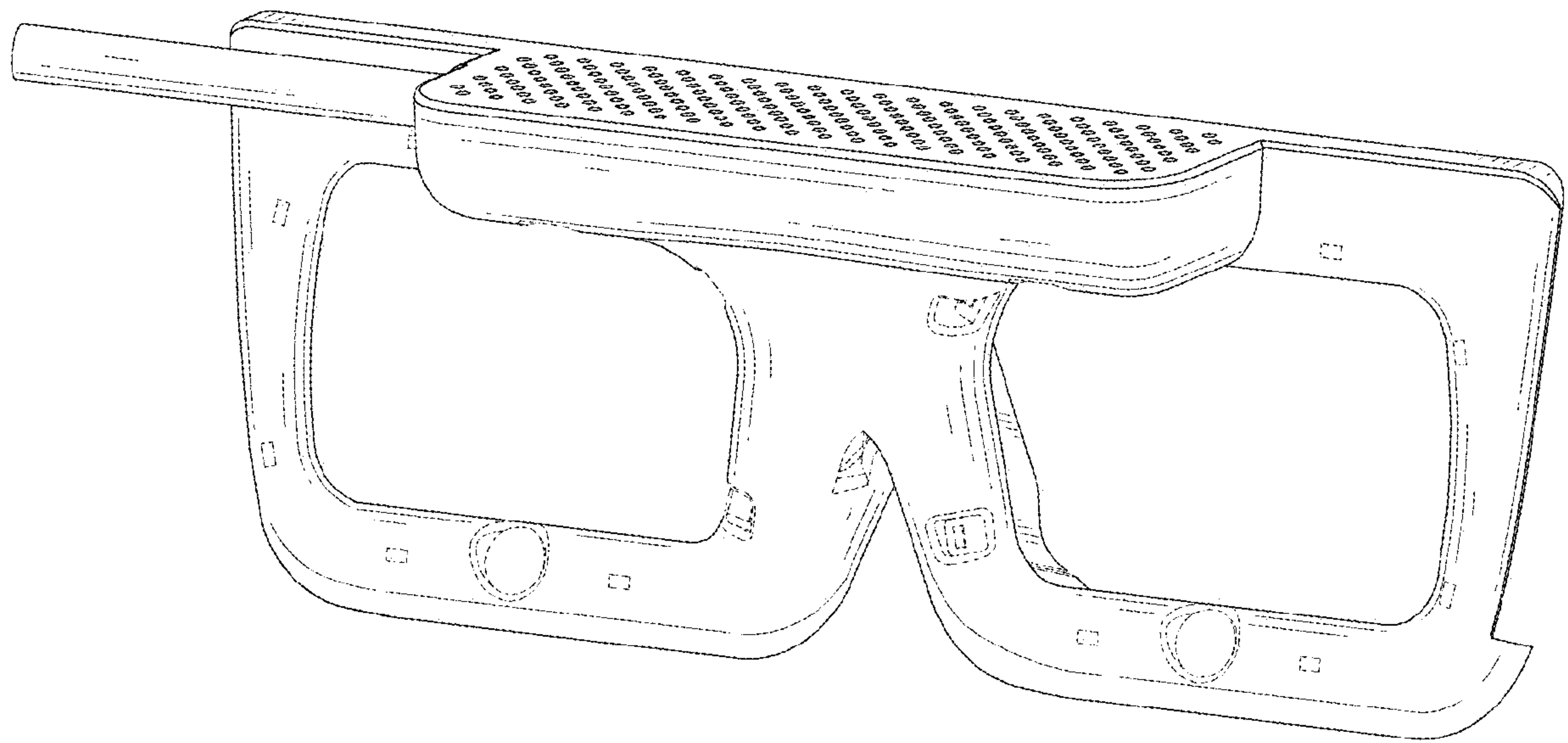


FIG. 1

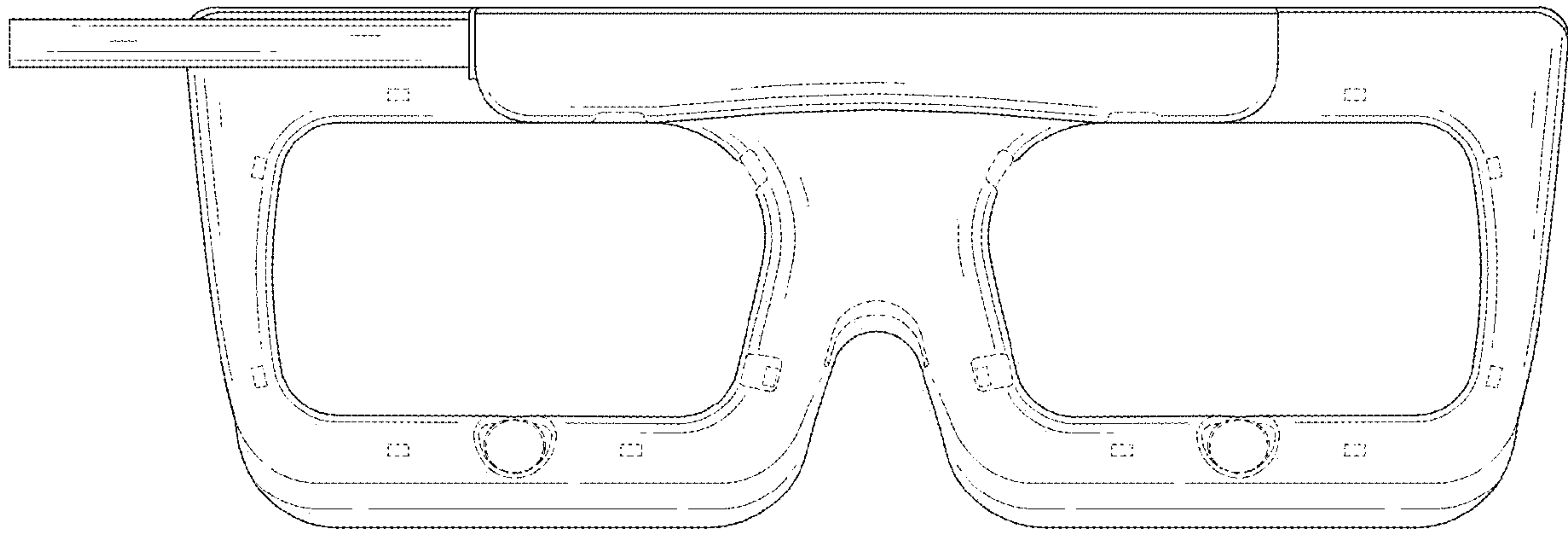


FIG. 2

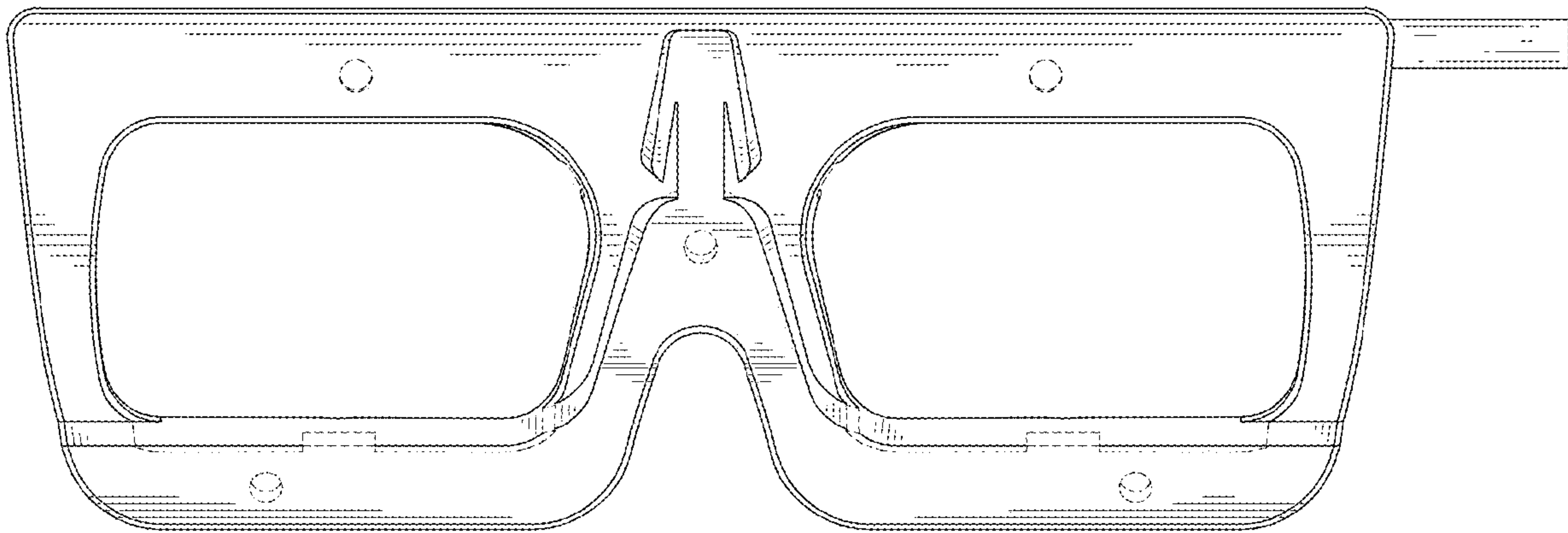


FIG. 3

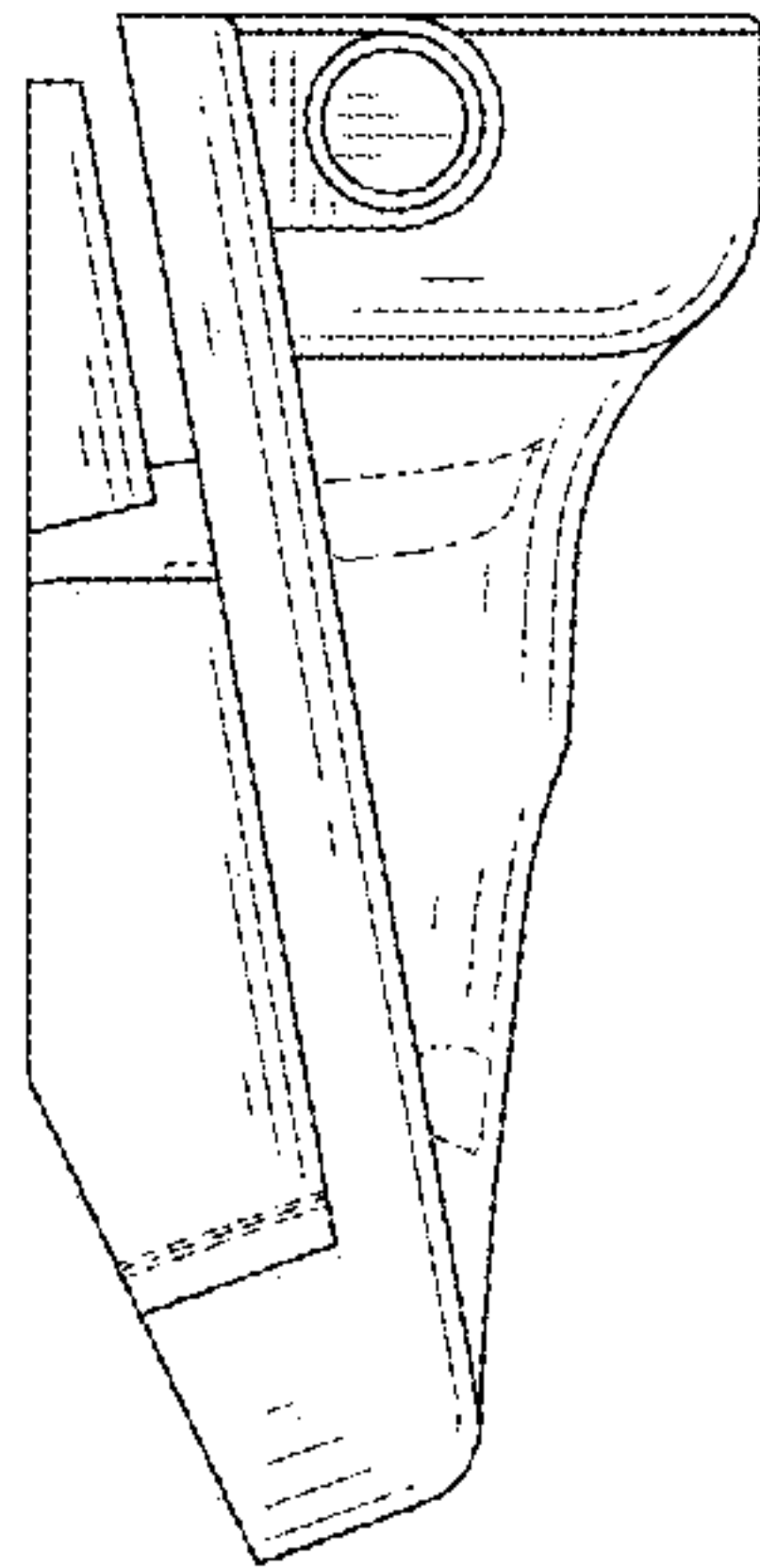


FIG. 4

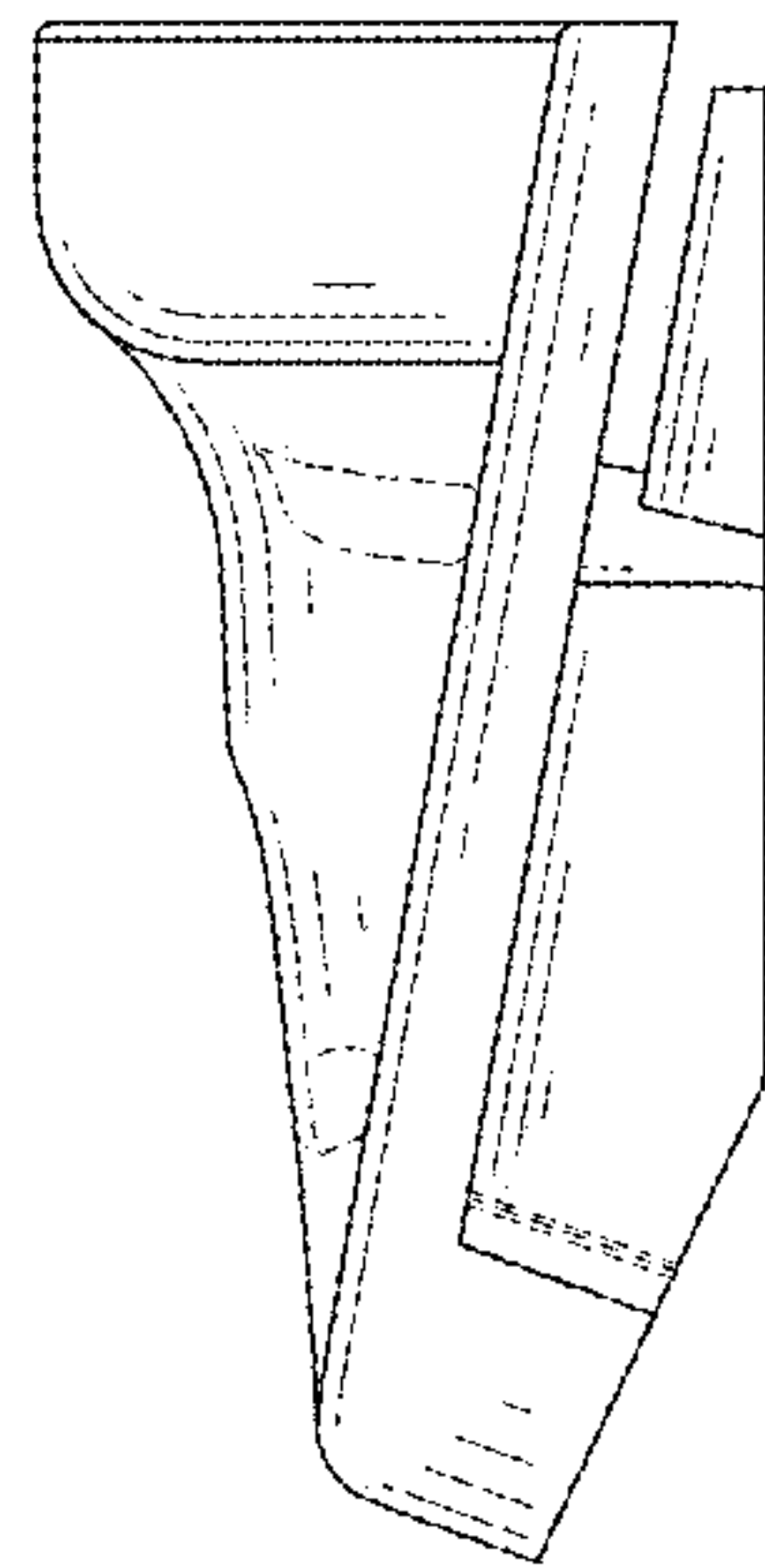


FIG. 5

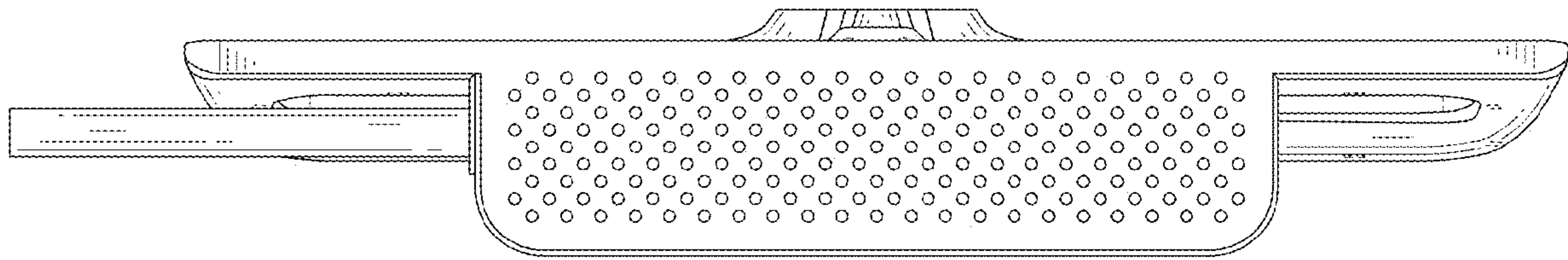


FIG. 6

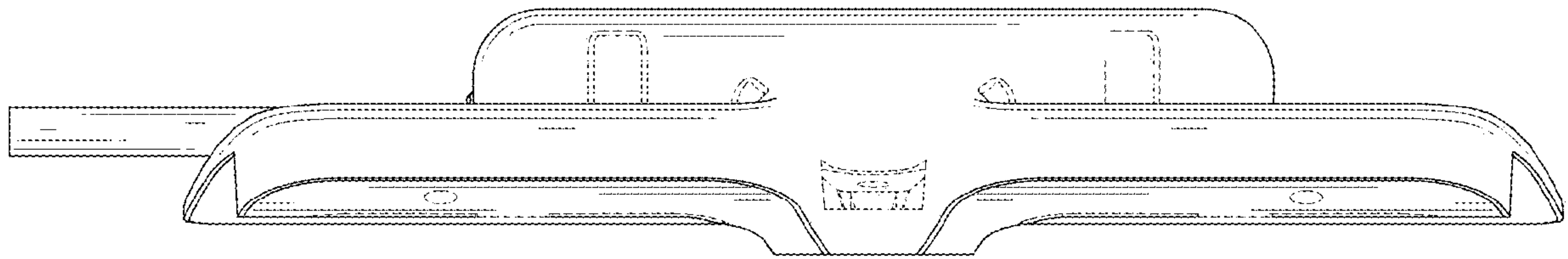


FIG. 7