



US00D934428S

(12) **United States Design Patent** (10) **Patent No.:** **US D934,428 S**  
**Harmer** (45) **Date of Patent:** **\*\* Oct. 26, 2021**

(54) **TETRAHEDRAL MARKER**  
(71) Applicant: **Endomagnetics LTD**, Cambridge (GB)  
(72) Inventor: **Quentin Harmer**, Cambridge (GB)  
(73) Assignee: **ENDOMAGNETICS LTD**  
(\*\*) Term: **15 Years**

(21) Appl. No.: **29/723,733**  
(22) Filed: **Feb. 10, 2020**  
(51) **LOC (13) Cl.** ..... **24-02**  
(52) **U.S. Cl.**  
USPC ..... **D24/170**  
(58) **Field of Classification Search**  
USPC .... D8/1; D24/127, 144, 156, 170, 187, 231,  
D24/232; D21/400, 404, 481, 482  
CPC .. A61B 2017/00022; A61B 2034/2046; A61B  
2034/2061; A61B 2034/2068; A61F 2/00;  
A61F 2/02; A61F 2/28; A61F 2/50; A61F  
2002/5058; A61F 2002/5064; A61N 1/20  
See application file for complete search history.

(56) **References Cited**  
U.S. PATENT DOCUMENTS  
3,402,741 A \* 9/1968 Yurdin ..... F16L 11/12  
138/118  
4,979,759 A \* 12/1990 Solovay ..... B62H 3/10  
211/17  
D341,071 S \* 11/1993 Prusak ..... D8/300  
D375,472 S \* 11/1996 Slater ..... D12/120  
D459,804 S \* 7/2002 Koros ..... D24/135  
D504,362 S \* 4/2005 Thompson ..... D12/115  
7,789,410 B1 \* 9/2010 White ..... B62H 3/10  
280/293  
D673,685 S \* 1/2013 Cunningham ..... D24/170  
D683,995 S \* 6/2013 Logothetis ..... D6/718.12  
D899,595 S \* 10/2020 Lin ..... D24/144

2014/0268863 A1\* 9/2014 Rimsky ..... F21S 11/007  
362/557  
2019/0223975 A1\* 7/2019 Agostinelli ..... A61B 5/062  
2021/0153970 A1\* 5/2021 Agostinelli ..... A61B 90/39

**FOREIGN PATENT DOCUMENTS**

GB 90066947709-0001 \* 8/2019

**OTHER PUBLICATIONS**

Research Gate, "A Chiral Granular Gas", first available Jul. 2005.  
([https://www.researchgate.net/figure/Schematic-representations-of-bent-wire-chiral-objects-made-from-a-central-stem-and-two\\_fig2\\_7670674](https://www.researchgate.net/figure/Schematic-representations-of-bent-wire-chiral-objects-made-from-a-central-stem-and-two_fig2_7670674)) (Year: 2005).\*  
Designer Pages, "Grab Todd Bracher's Stick Lamp Before It Walks Away", first available Aug. 30, 2010. (<http://media.designerpages.com/2010/08/grab-todd-brachers-stick-lamp-before-it-walks-away/>) (Year: 2010).\*

(Continued)

*Primary Examiner* — Lauren D McVey  
*Assistant Examiner* — Justin A Johnson  
(74) *Attorney, Agent, or Firm* — K&L Gates LLP

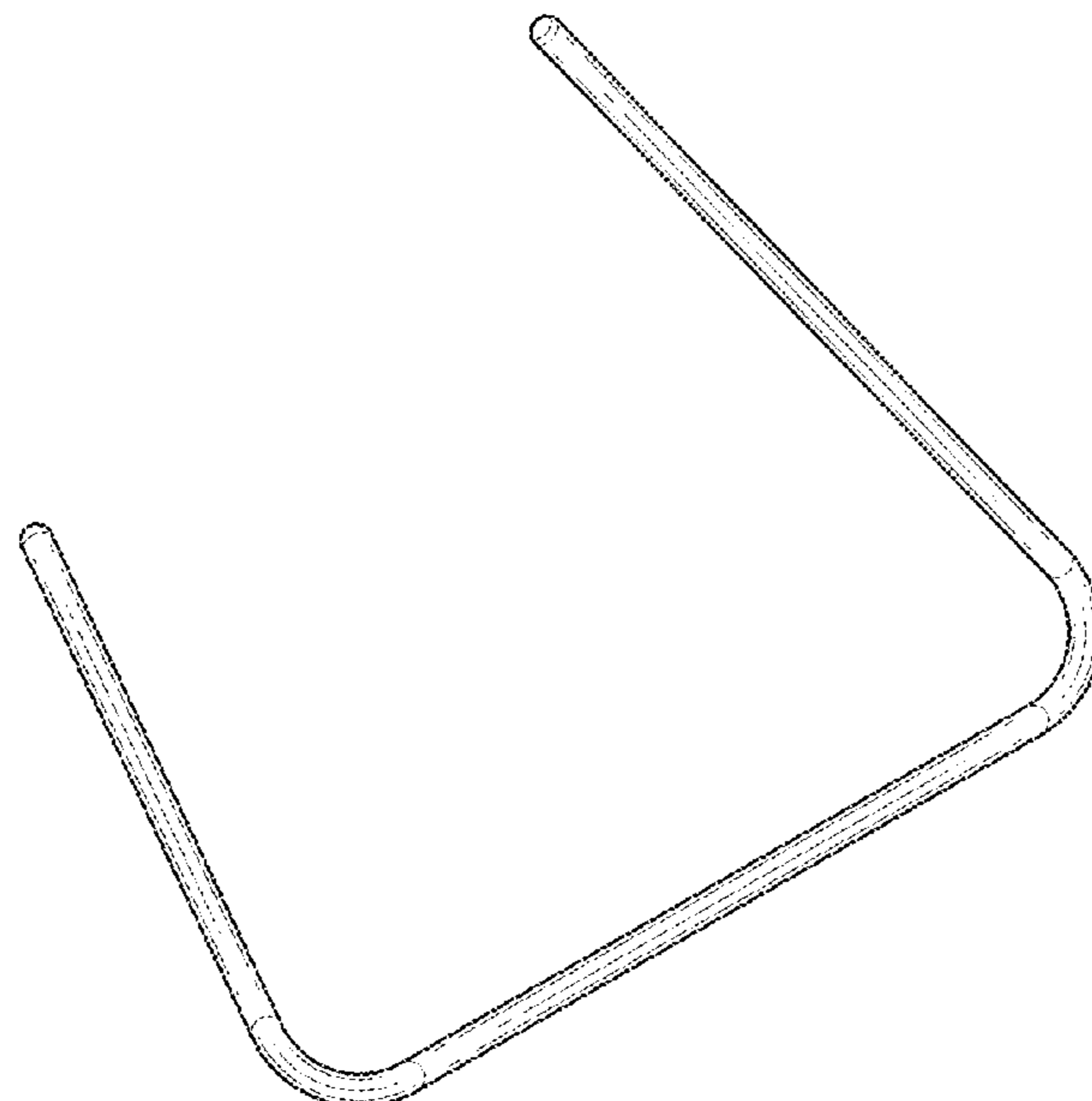
(57) **CLAIM**

The ornamental design for a tetrahedral marker, as shown and described.

**DESCRIPTION**

FIG. 1 is a perspective view of a tetrahedral marker showing my new design;  
FIG. 2 is a front view thereof;  
FIG. 3 is a rear view thereof;  
FIG. 4 is a left side elevation view thereof;  
FIG. 5 is a right side elevation view thereof;  
FIG. 6 is a top plan view thereof; and,  
FIG. 7 is a bottom plan view thereof.

**1 Claim, 7 Drawing Sheets**



(56)

**References Cited**

OTHER PUBLICATIONS

G-mark.org, “LED Desk Light [Stroke]”, first available Dec. 19, 2011. (<https://www.g-mark.org/award/describe/37442/?locale=en>) (Year: 2011).\*

Quora, “Hypothetical question, What would happen if you use office staples”, first available Dec. 9, 2018. (<https://www.quora.com/Hypothetical-question-What-would-happen-if-you-use-office-staples-to-close-a-wound-instead-of-surgical-staples/answer/Christopher-Do-16?ch=10&share=48b09954&srid=uyXqg5>) (Year: 2018).\*

\* cited by examiner

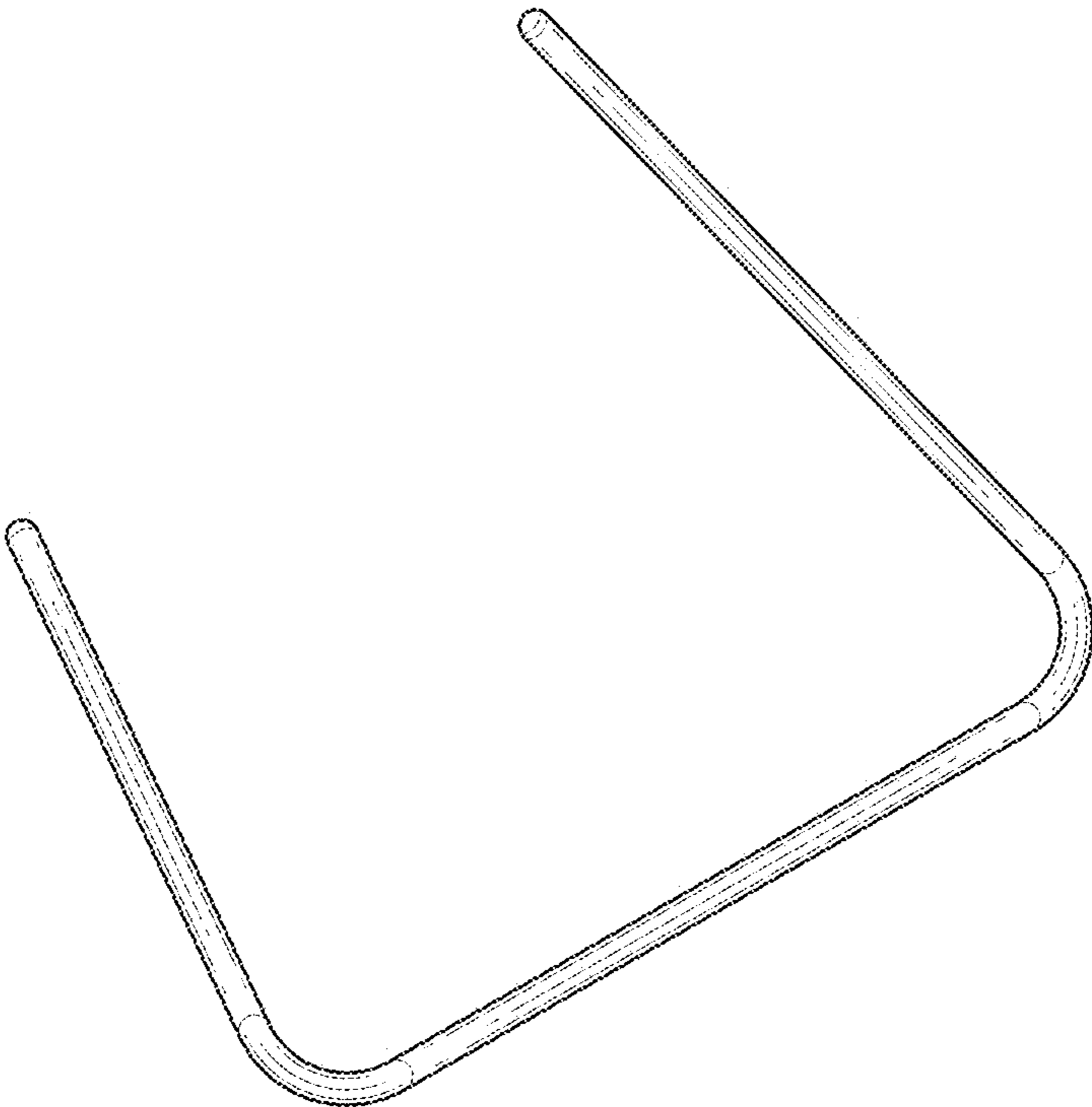


FIG. 1

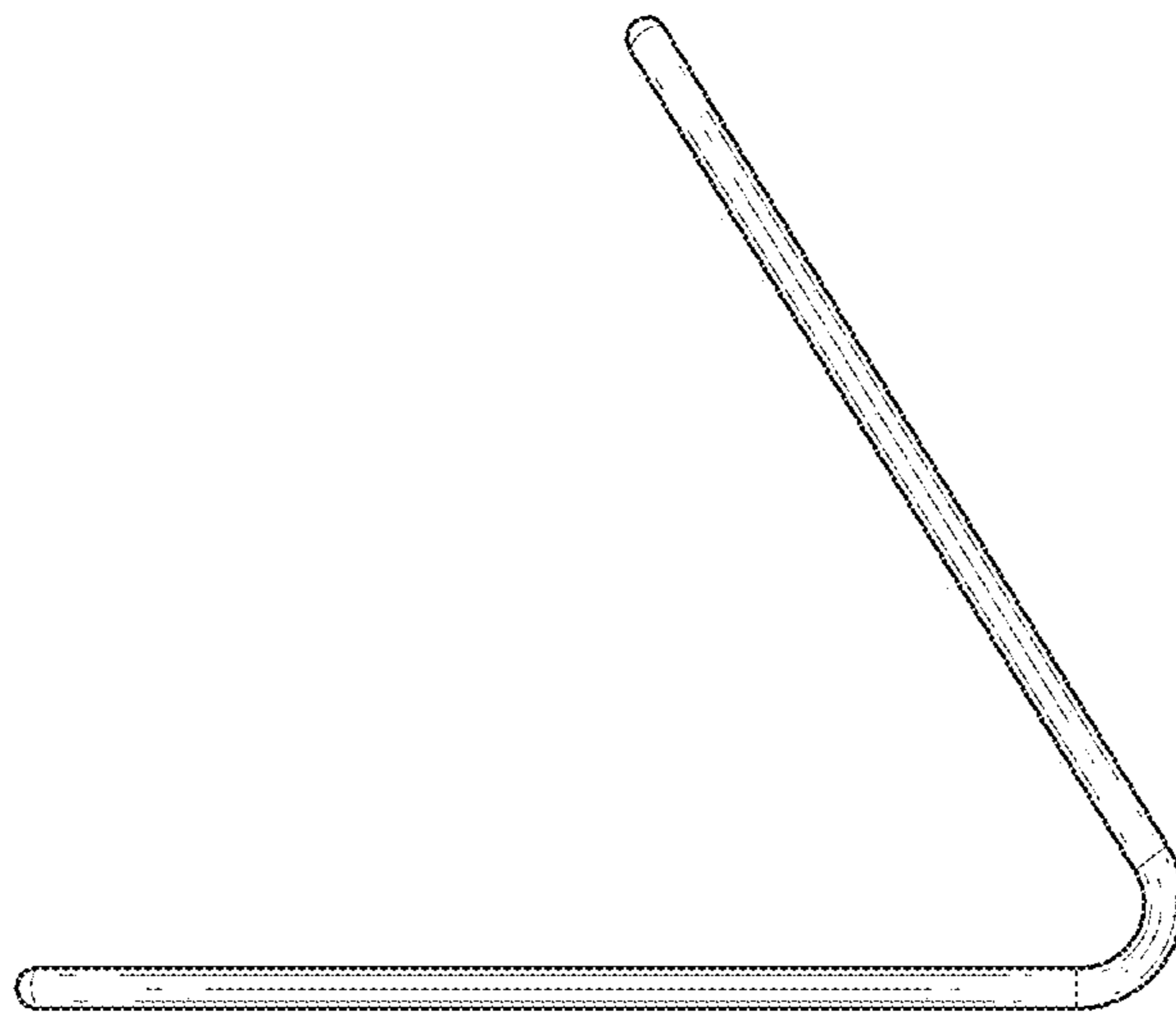


FIG. 2

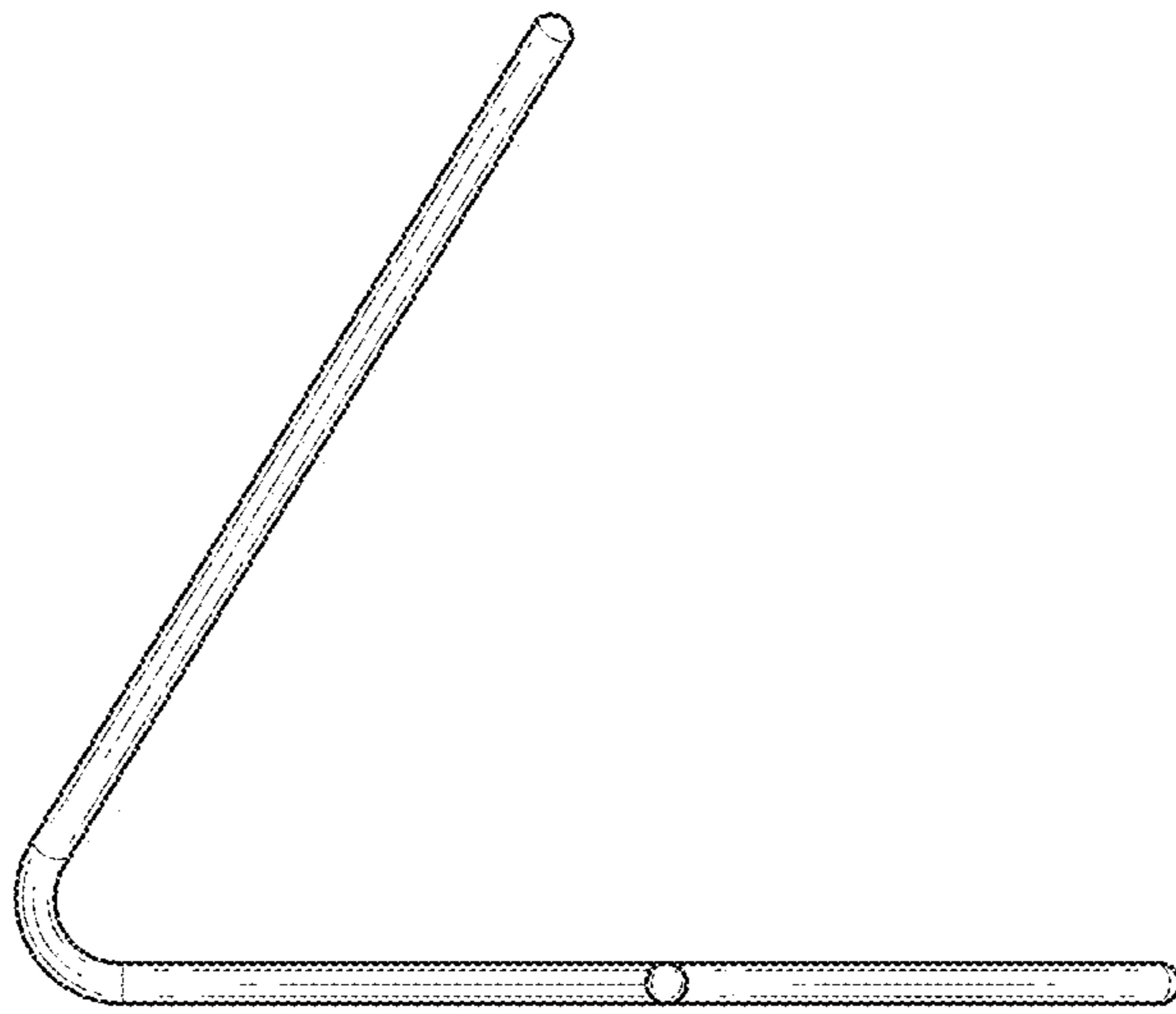


FIG. 3

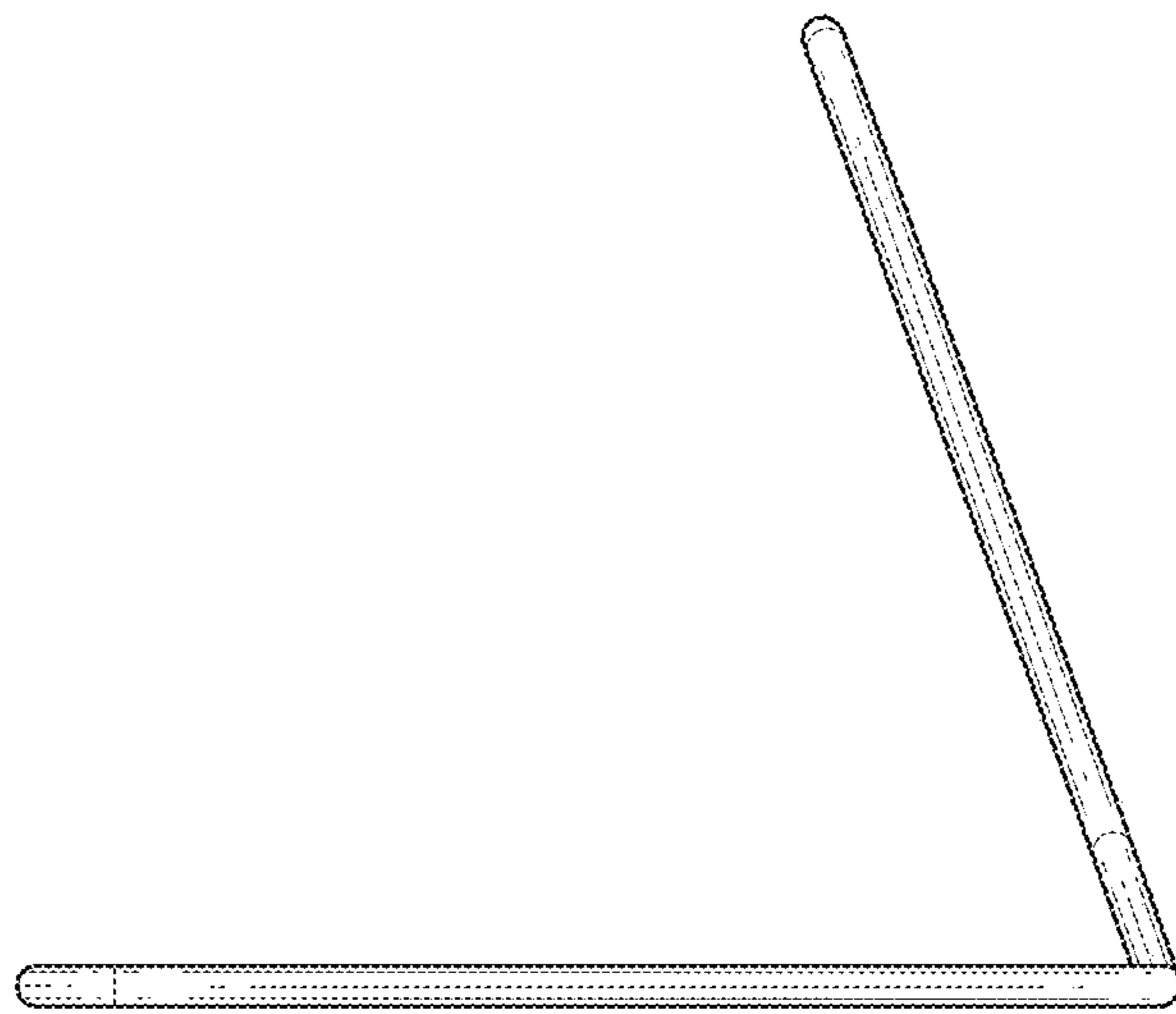


FIG. 4

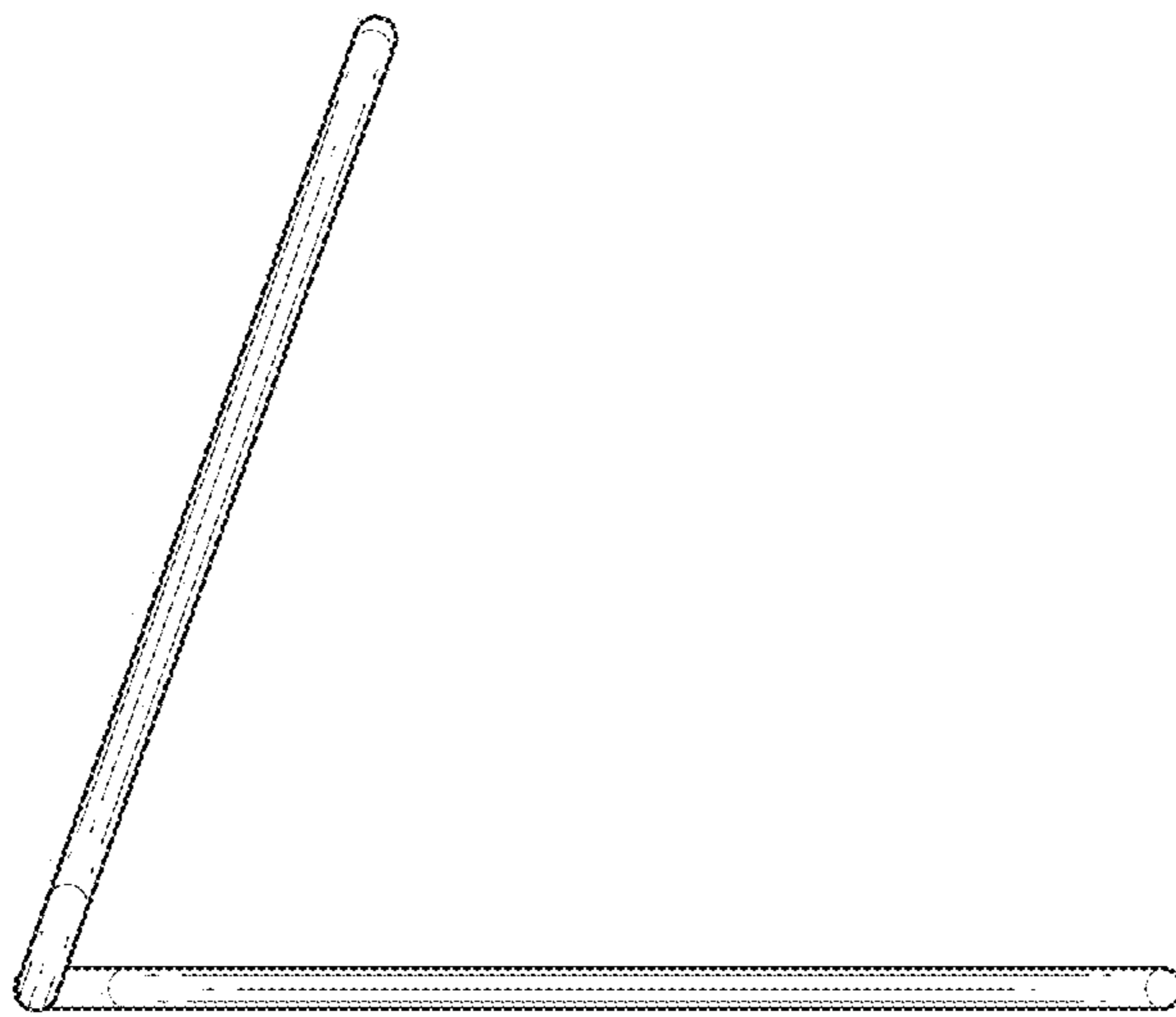


FIG. 5

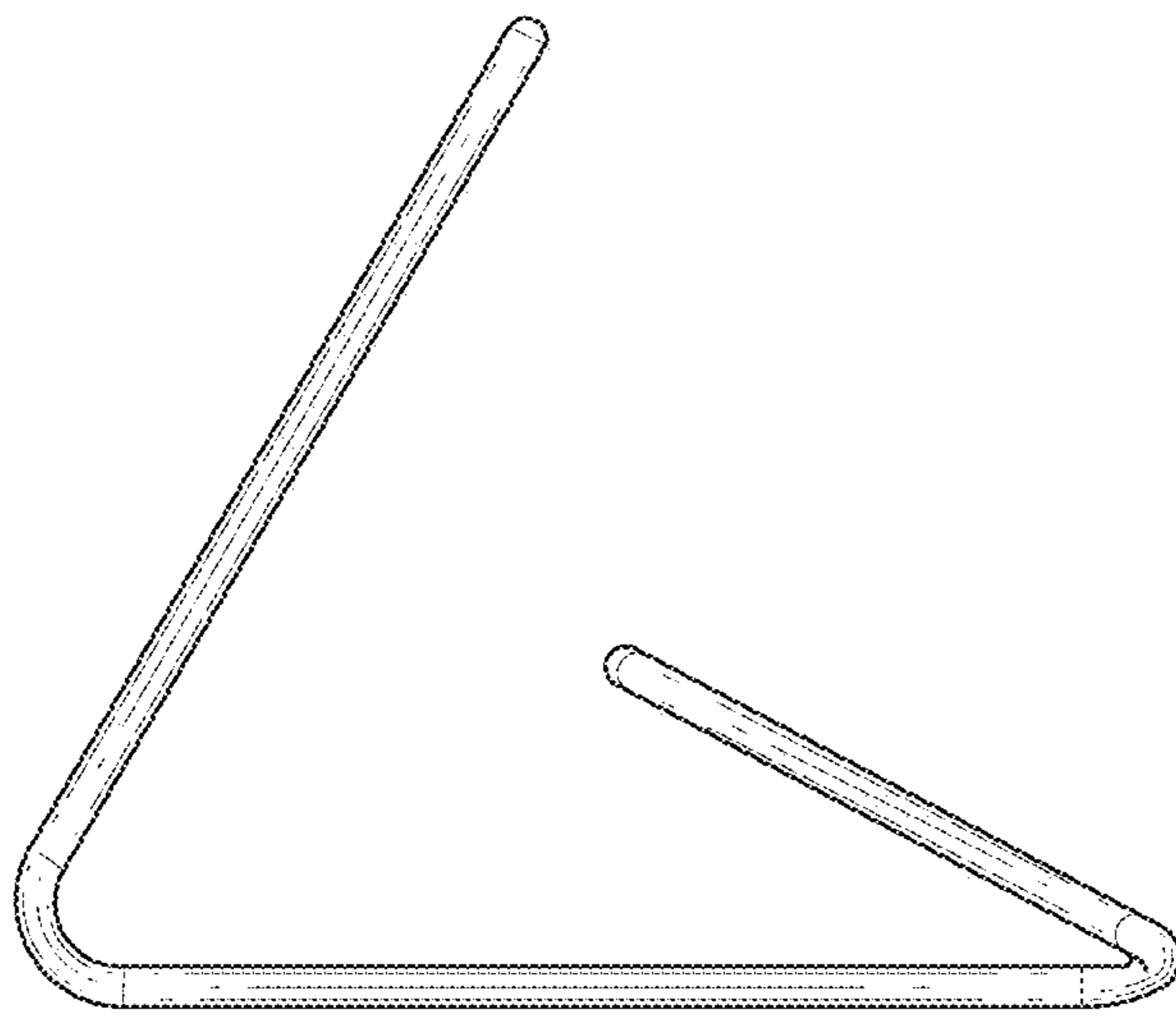


FIG. 6



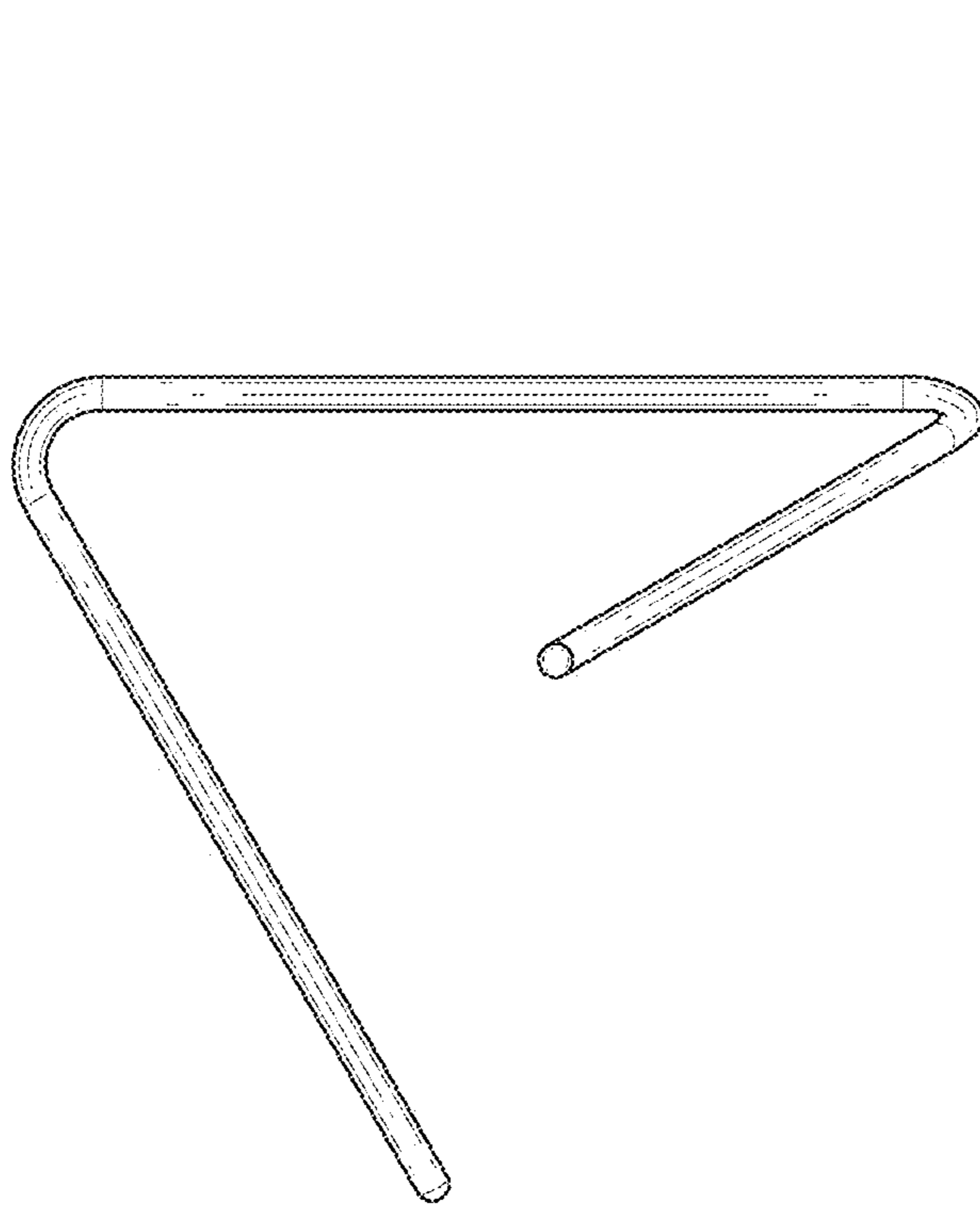


FIG. 7