



US00D934427S

(12) **United States Design Patent** (10) **Patent No.:** **US D934,427 S**
McCary (45) **Date of Patent:** **** Oct. 26, 2021**

(54) **DENTAL WASTE FILTER** 3,436,828 A * 4/1969 Dragan B05C 17/00593
433/90
(71) Applicant: **Charles McCary**, Huntsville, AL (US) 4,079,516 A 3/1978 Marshall
4,452,358 A * 6/1984 Simpson A61M 5/3205
206/216
(72) Inventor: **Charles McCary**, Huntsville, AL (US) 5,078,603 A 1/1992 Cohen
5,441,410 A * 8/1995 Segerdal A61C 17/08
433/93
(**) Term: **15 Years** 5,766,134 A 6/1998 Lisak et al.
(21) Appl. No.: **29/745,307** 5,820,753 A 10/1998 Mayer
6,183,254 B1 2/2001 Cohen
(22) Filed: **Aug. 5, 2020** 6,299,763 B1 10/2001 Ashman
8,393,898 B2 3/2013 McCary
9,693,843 B2 7/2017 Cohen

Related U.S. Application Data

(63) Continuation of application No. 16/442,272, filed on Jun. 14, 2019, now abandoned, and a continuation of application No. 15/626,153, filed on Jun. 8, 2017, now abandoned.
(51) **LOC (13) Cl.** **24-00**
(52) **U.S. Cl.**
USPC **D24/162**
(58) **Field of Classification Search**
USPC D24/162, 152, 231; D23/209; D9/688, D9/436
CPC A61C 17/08; A61C 1/181; A61C 17/14; A61C 17/125; A61L 2/206; A61B 1/253; C02F 1/283; B05C 17/00593; A61G 15/14
See application file for complete search history.
2004/0222141 A1 11/2004 Gray
2008/0257815 A1* 10/2008 McCary A61C 17/125
210/416.1
2011/0253615 A1 10/2011 Nonnenmacher
2018/0360578 A1* 12/2018 McCary C02F 1/283

* cited by examiner

Primary Examiner — Rhea Shields
(74) *Attorney, Agent, or Firm* — Cynthia R. Wright

(57) **CLAIM**

The ornamental design for an dental waste filter, as shown and described.

DESCRIPTION

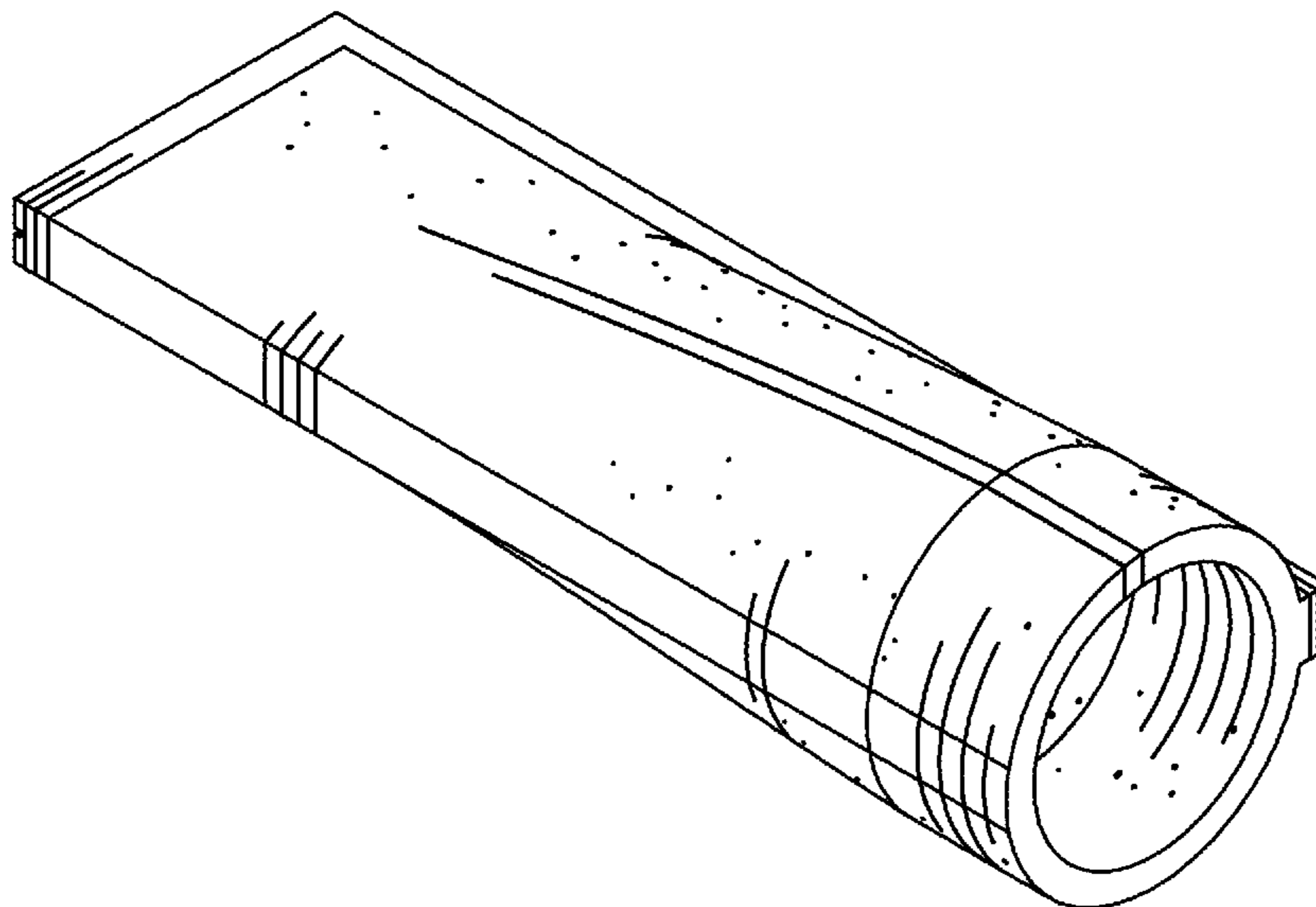
FIG. 1 is a an angled top view.
FIG. 2 is a front side view.
FIG. 3 is a left side view.
FIG. 4 is a right side view.
FIG. 5 is a bottom view; and,
FIG. 6 is a rear view.

1 Claim, 3 Drawing Sheets

(56) **References Cited**

U.S. PATENT DOCUMENTS

2,876,542 A * 3/1959 Breus A61G 15/14
433/77
2,965,936 A * 12/1960 Kaye A61L 2/206
422/292
2,977,682 A * 4/1961 Flatray A61C 1/181
433/104
2,984,009 A * 5/1961 Codoni A61B 1/253
433/30
RE26,246 E * 8/1967 Templeton A61C 17/14
4/258



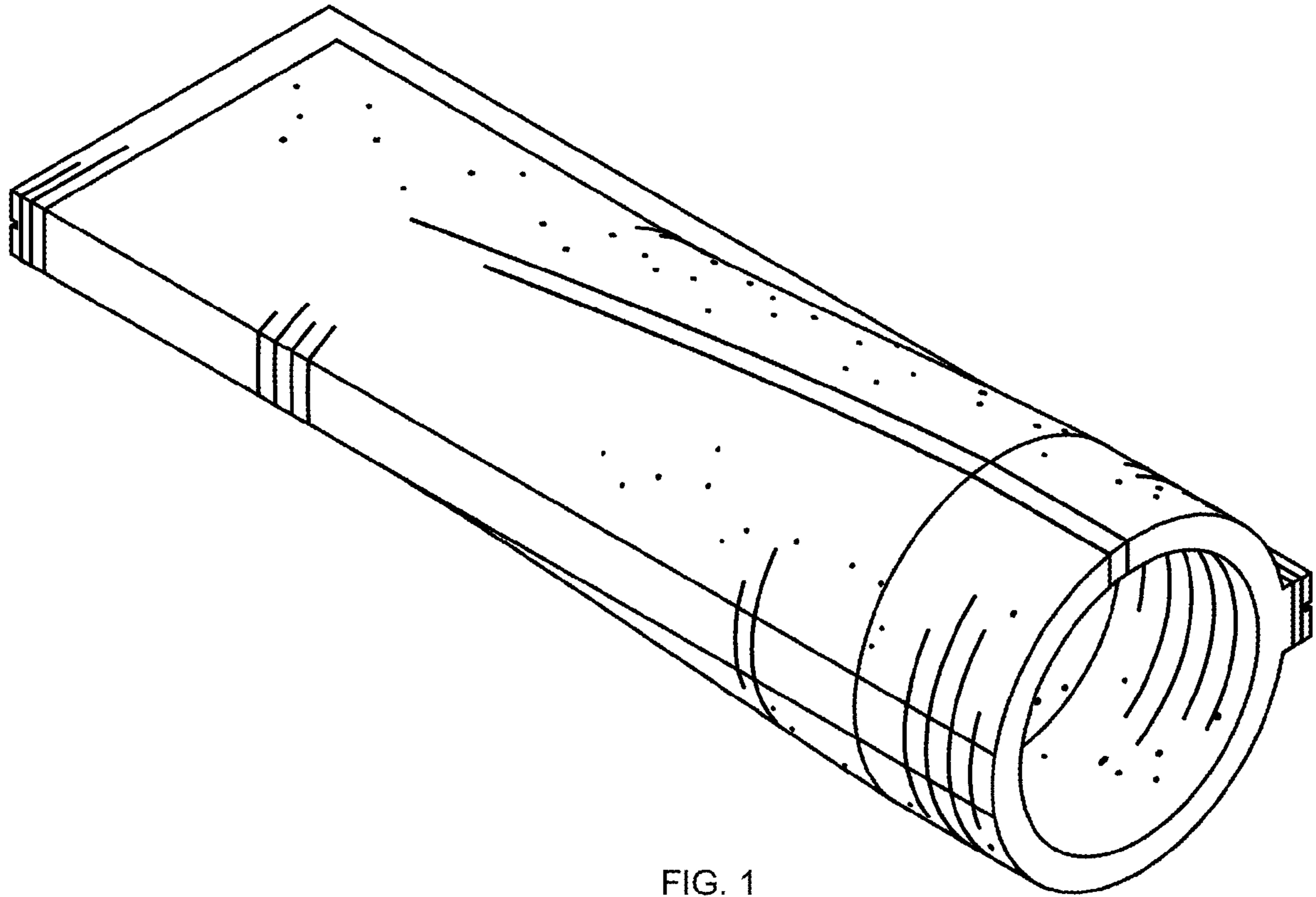


FIG. 1

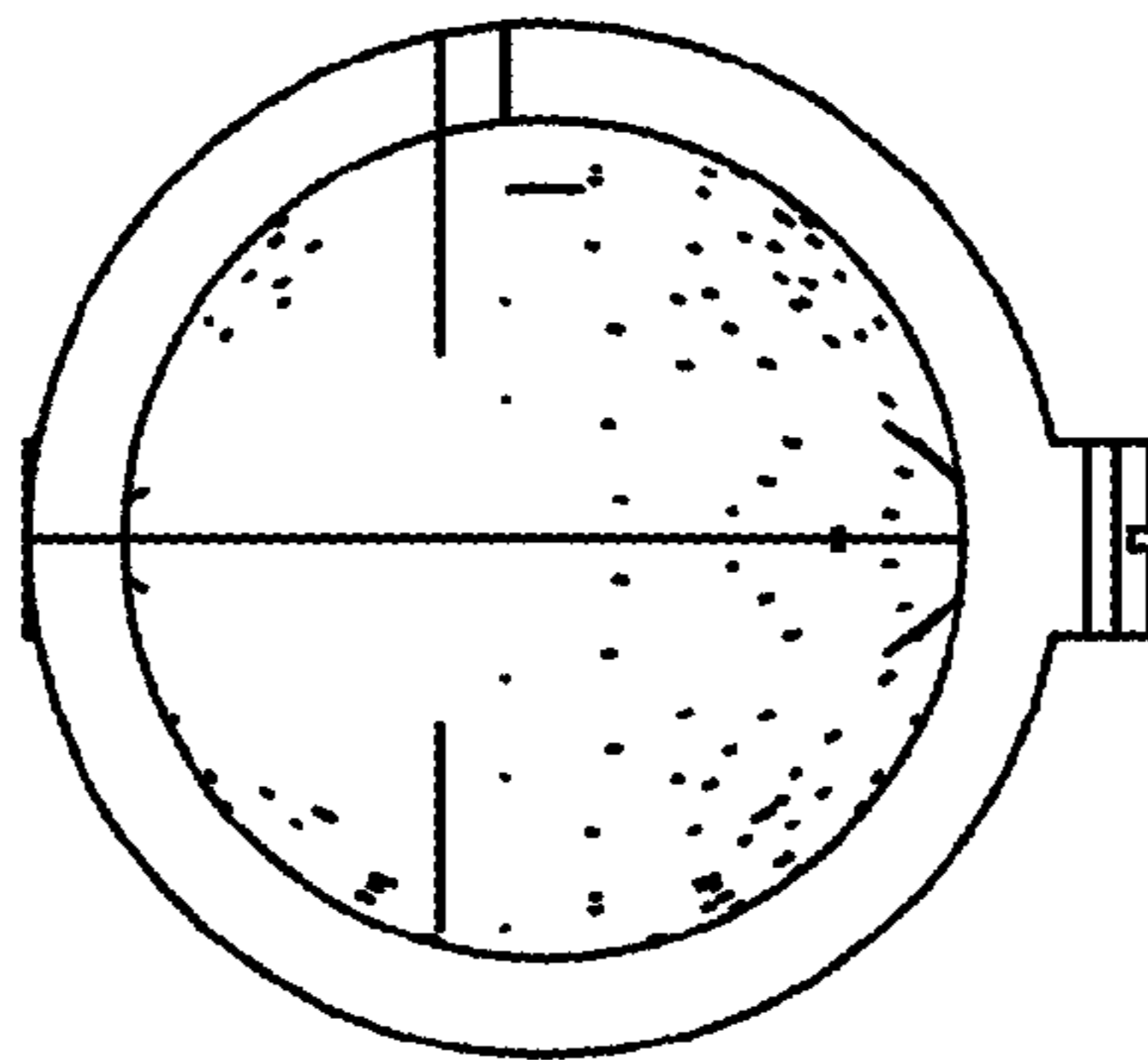


FIG. 2

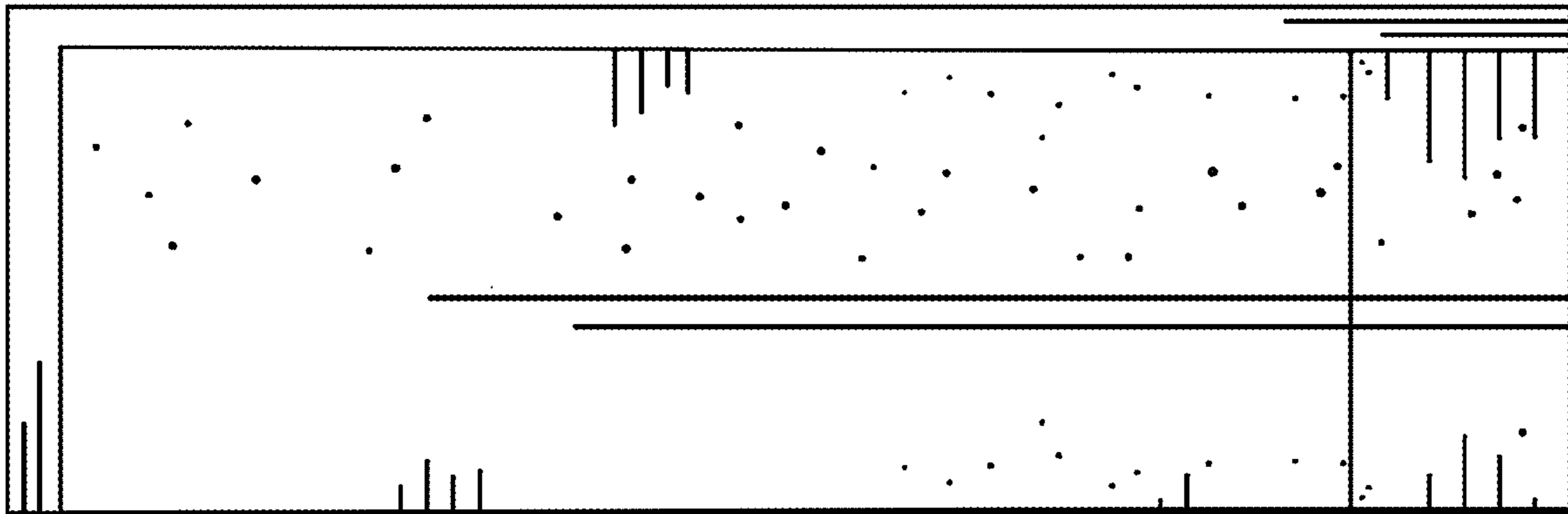


FIG. 3

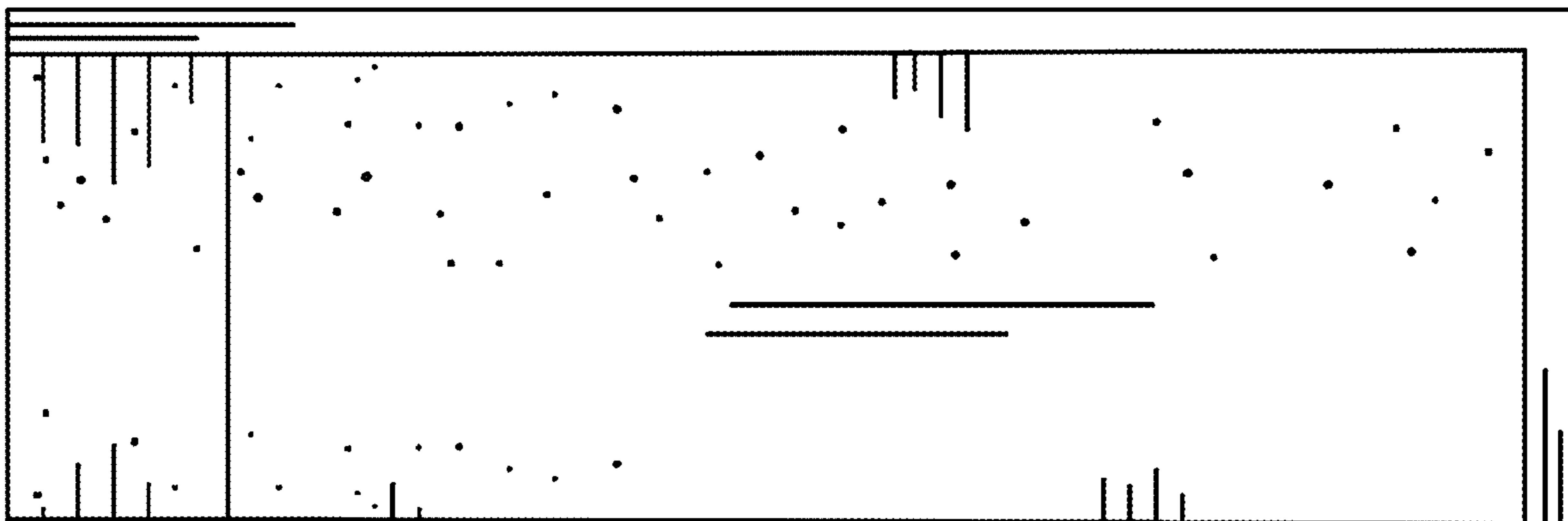


FIG. 4

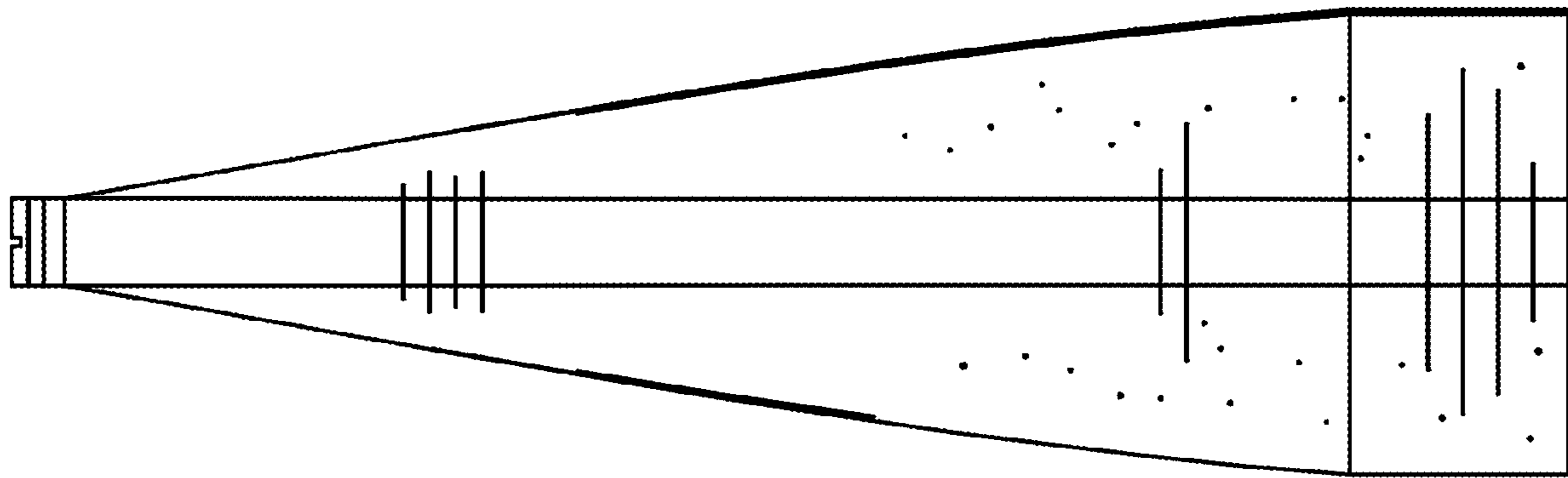


FIG. 5

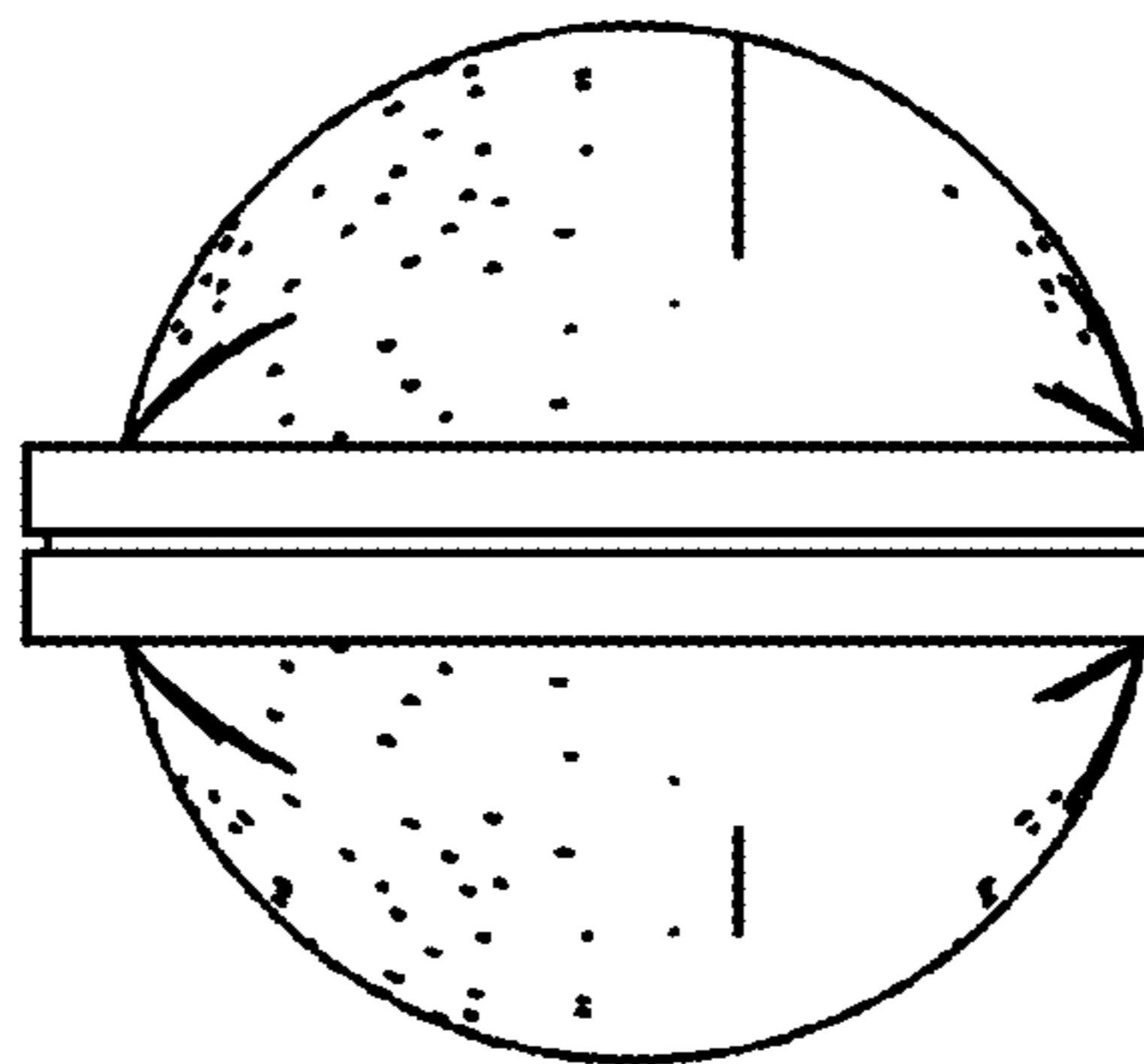


FIG. 6