



US00D934426S

(12) **United States Design Patent** (10) **Patent No.:** **US D934,426 S**
Zhang et al. (45) **Date of Patent:** **** Oct. 26, 2021**

(54) **IMAGING APPARATUS**

(71) Applicant: **GE Precision Healthcare LLC**,
 Milwaukee, WI (US)

(72) Inventors: **Wei Zhang**, Shanghai (CN); **Jun Hou**,
 Shanghai (CN); **Duncan Lovel**
Trevor-Wilson, Schenectady, NY (US);
Aurelie Boudier, Bois d'Arcy (FR)

(73) Assignee: **GE Precision Healthcare LLC**,
 Milwaukee, WI (US)

(**) Term: **15 Years**

(21) Appl. No.: **29/716,651**

(22) Filed: **Dec. 11, 2019**

Related U.S. Application Data

(62) Division of application No. 29/627,199, filed on Nov. 22, 2017, now Pat. No. Des. 874,005.

(51) **LOC (13) Cl.** **24-01**

(52) **U.S. Cl.**
 USPC **D24/158**

(58) **Field of Classification Search**
 USPC D24/107, 158–160, 185–187
 CPC A61B 5/055; G01N 2223/1016; G01N
 2223/301; G01N 2223/031; G01N
 2223/419; G01N 23/046; G01R 33/48
 See application file for complete search history.

(56) **References Cited**

U.S. PATENT DOCUMENTS

D417,734 S * 12/1999 Benders D24/158
 D432,655 S 10/2000 Benders
 D639,950 S 6/2011 Ramos
 D700,339 S 2/2014 Tan

D700,340 S 2/2014 Tan et al.
 D715,444 S * 10/2014 Zhi D24/159
 D725,275 S * 3/2015 Matsumura D24/158
 D753,828 S * 4/2016 Baba D24/158
 D818,126 S 5/2018 Personelli
 D849,949 S 5/2019 Stalter et al.
 D895,804 S * 9/2020 Zhuang D24/158
 D898,917 S * 10/2020 Stalter D24/158

* cited by examiner

Primary Examiner — Anhdao Doan

(74) *Attorney, Agent, or Firm* — McCoy Russell LLP

(57) **CLAIM**

The ornamental design for an imaging apparatus, as shown and described.

DESCRIPTION

FIG. 1 is a front elevation view of an imaging apparatus according to the claimed design.

FIG. 2 is a front-right perspective view of the imaging apparatus of FIG. 1.

FIG. 3 is left side elevation view of the imaging apparatus of FIG. 1.

FIG. 4 is a back-right perspective view of the imaging apparatus of FIG. 1.

FIG. 5 is a back elevation view of the imaging apparatus of FIG. 1.

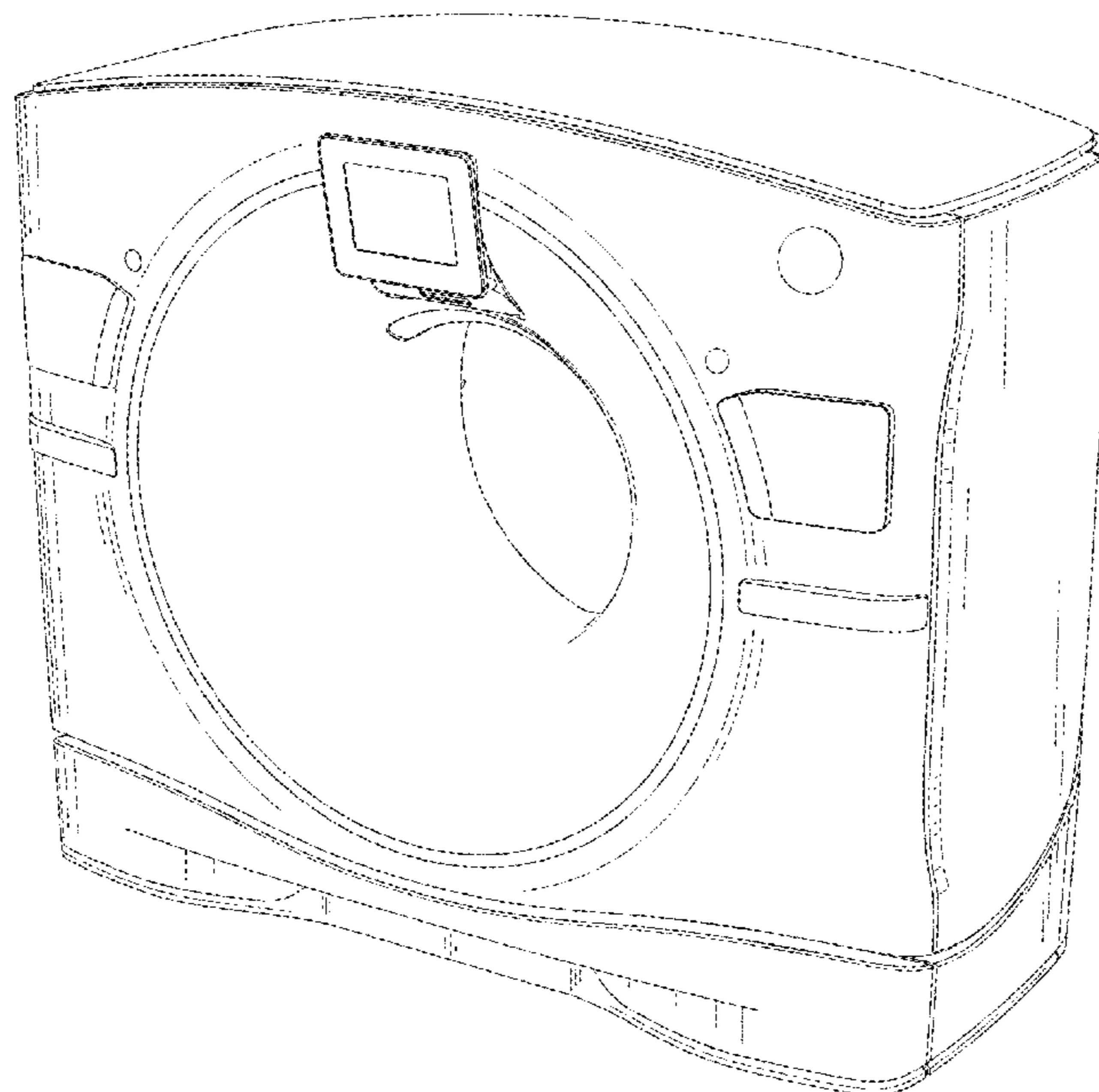
FIG. 6 is a right side elevation view of the imaging apparatus of FIG. 1.

FIG. 7 is a top plan view of the imaging apparatus of FIG. 1; and,

FIG. 8 is a bottom plan view of the imaging apparatus of FIG. 1.

The broken lines illustrate portions of the imaging apparatus that form no part of the claimed design; the broken lines form no part of the claimed design.

1 Claim, 8 Drawing Sheets



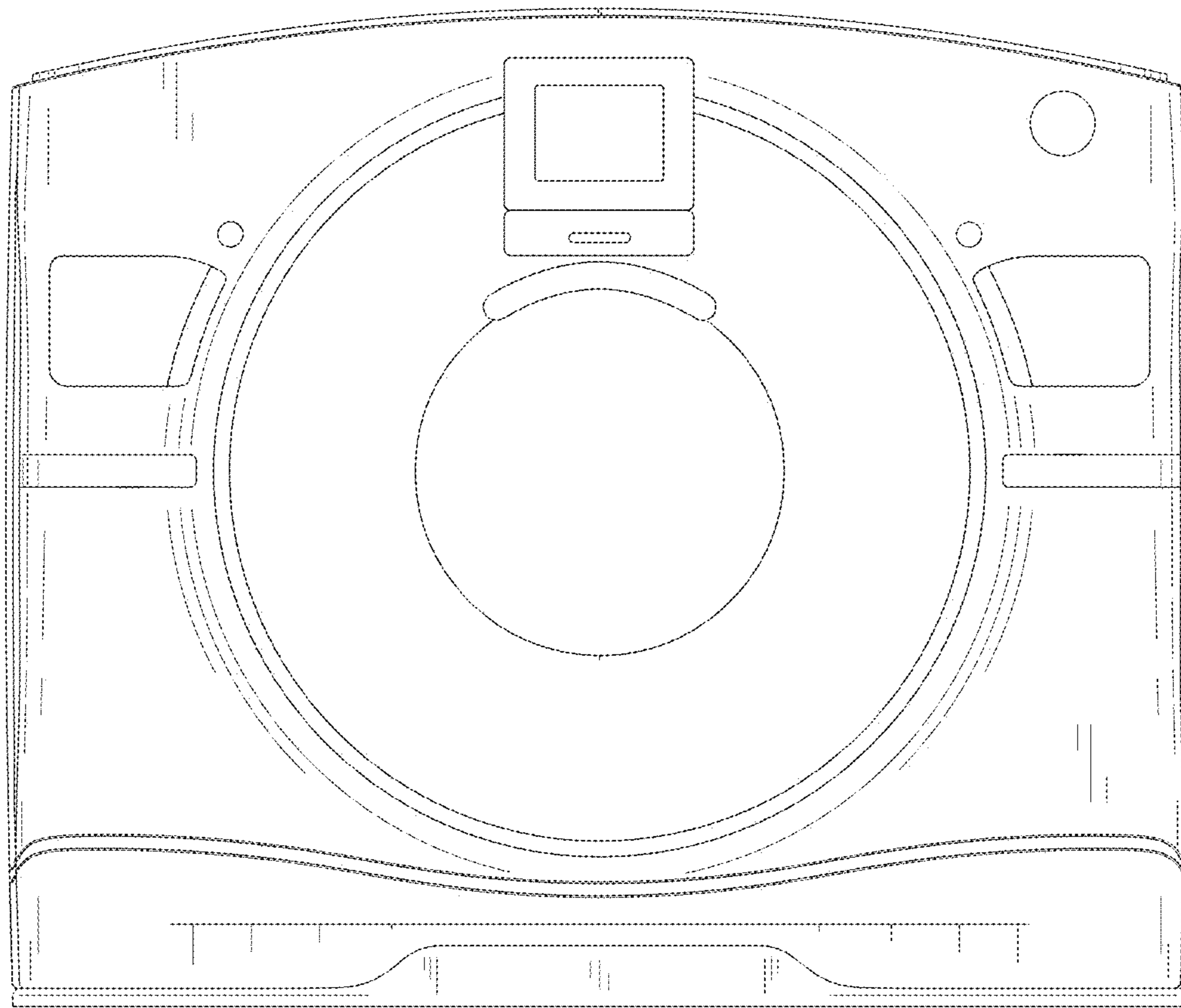


FIG. 1

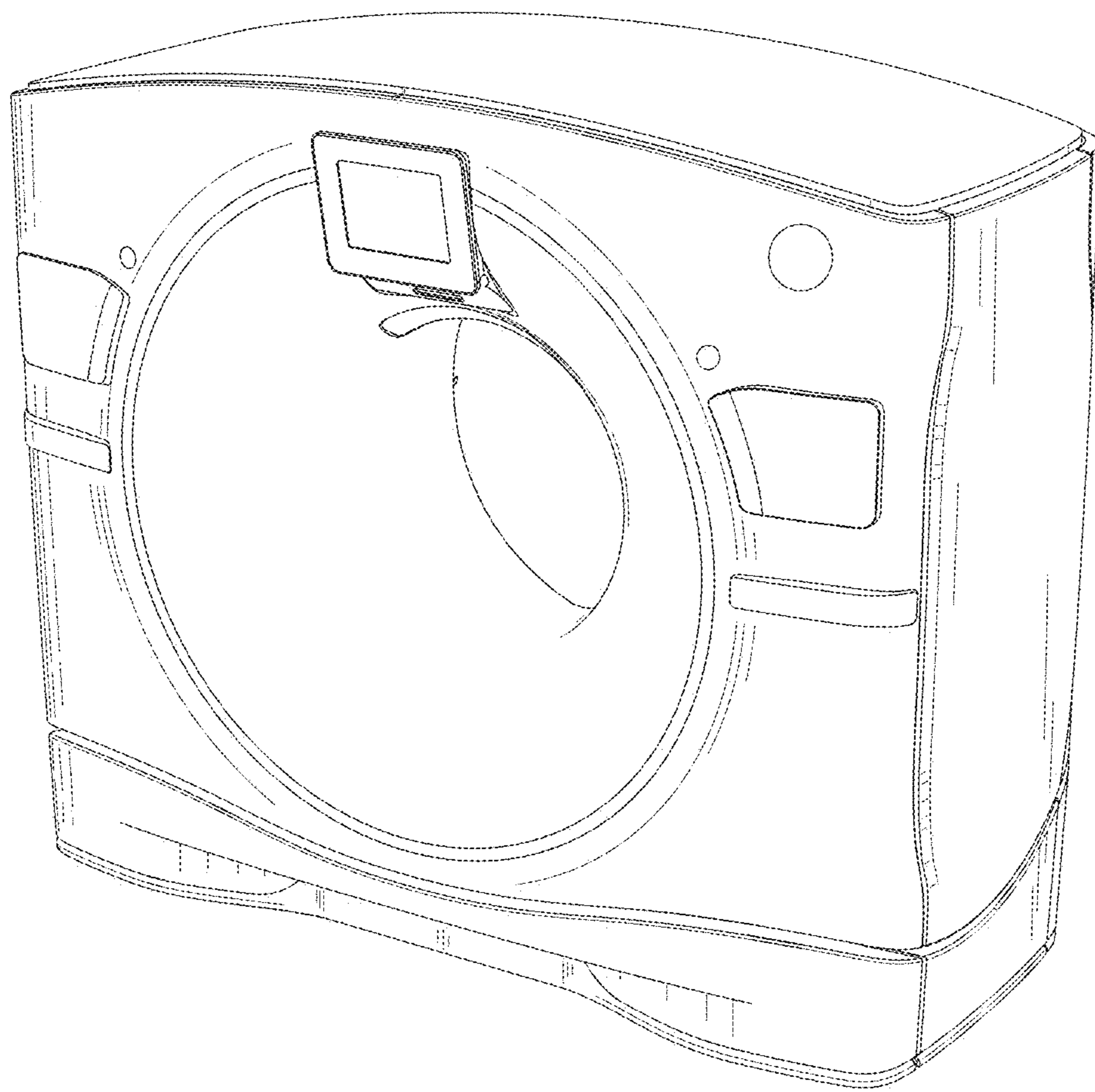


FIG. 2

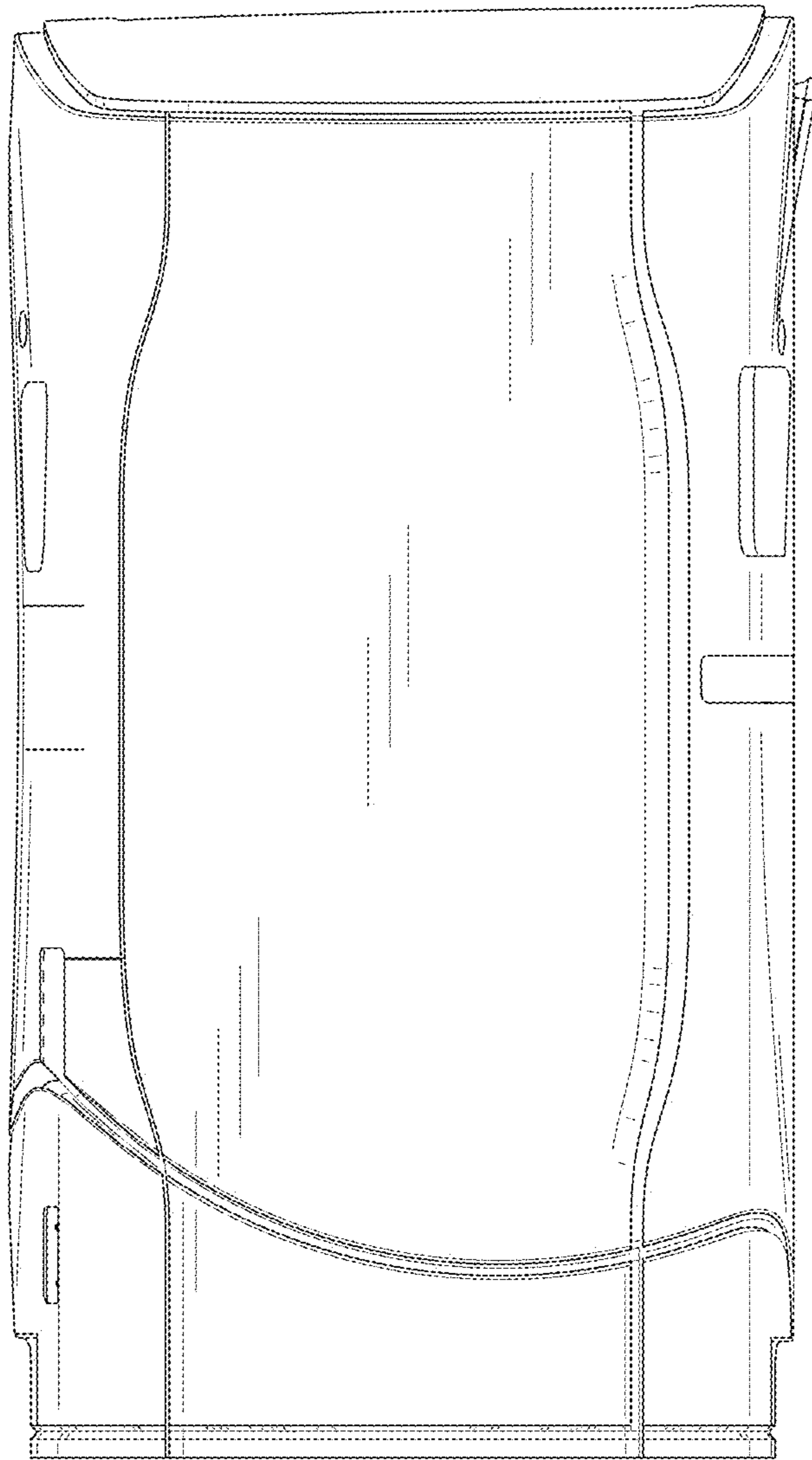


FIG. 3

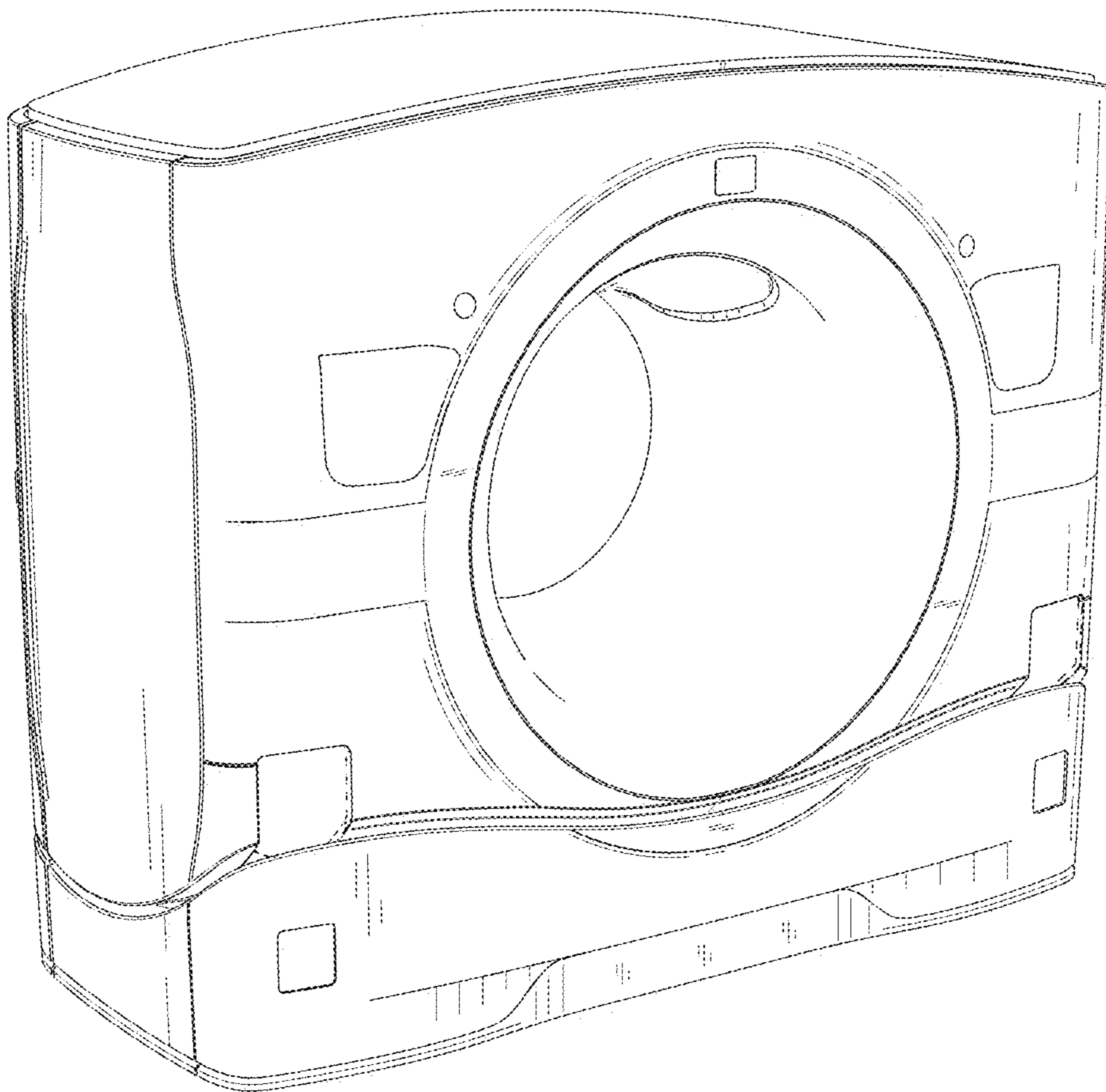


FIG. 4

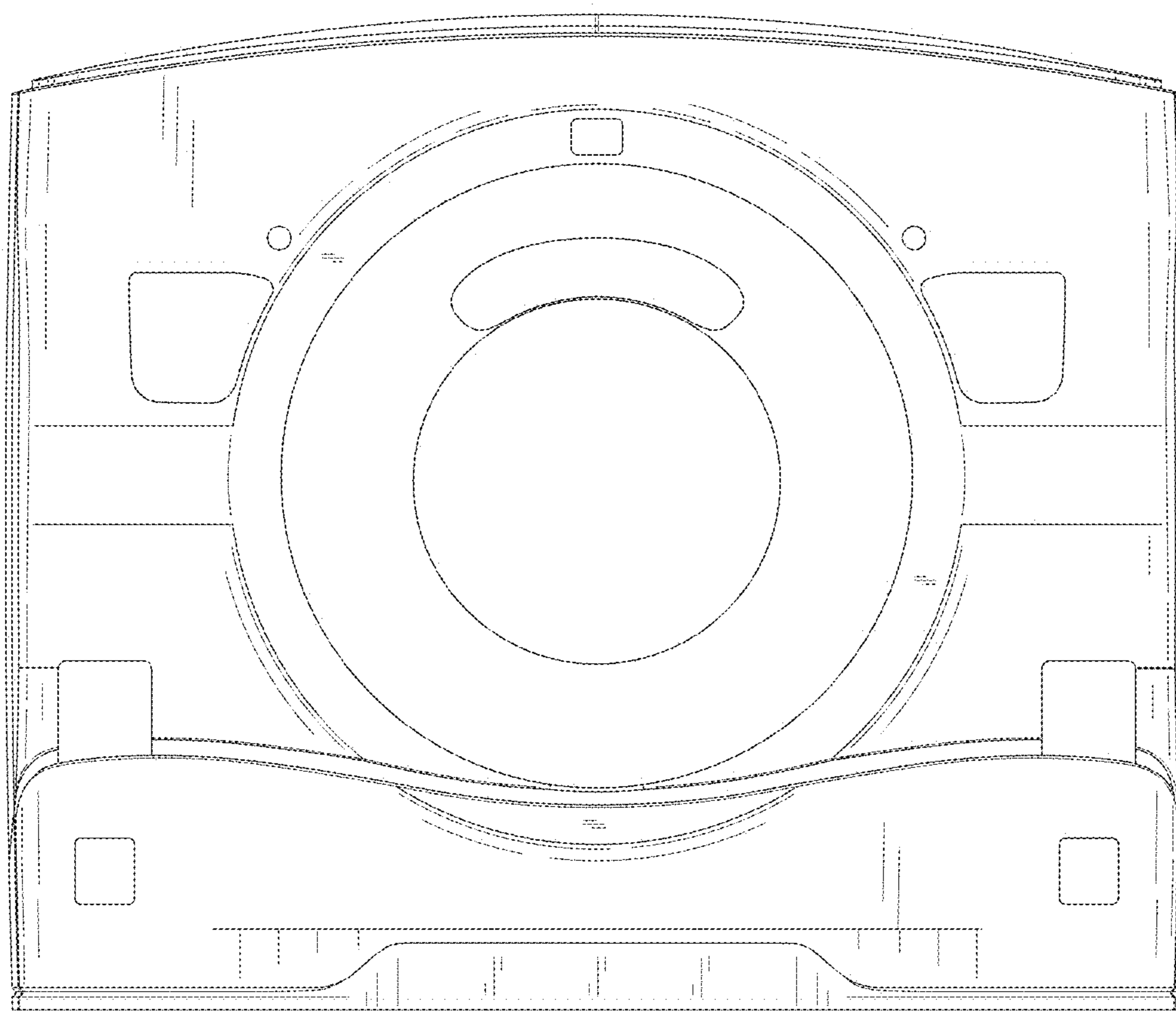


FIG. 5

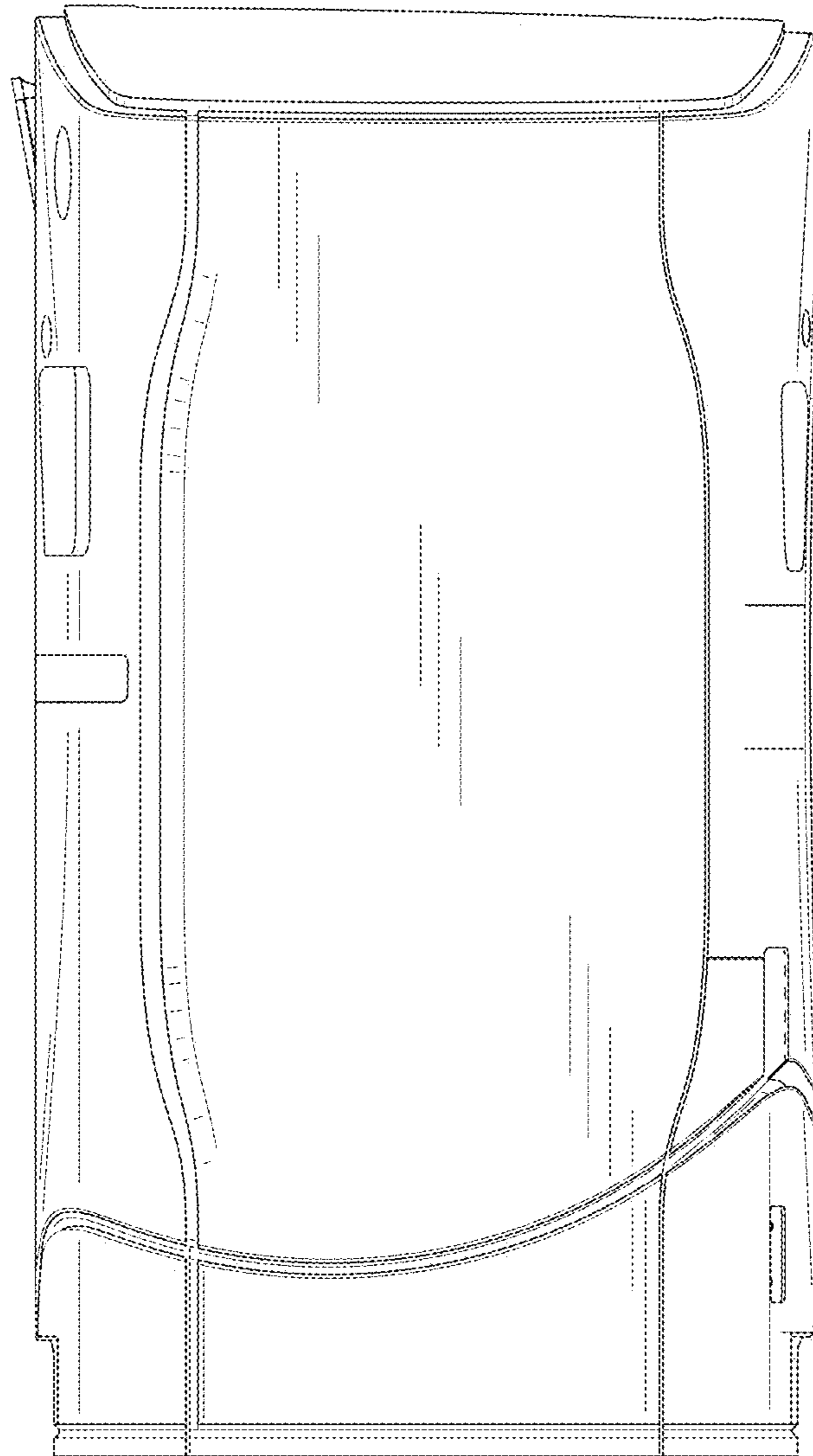


FIG. 6

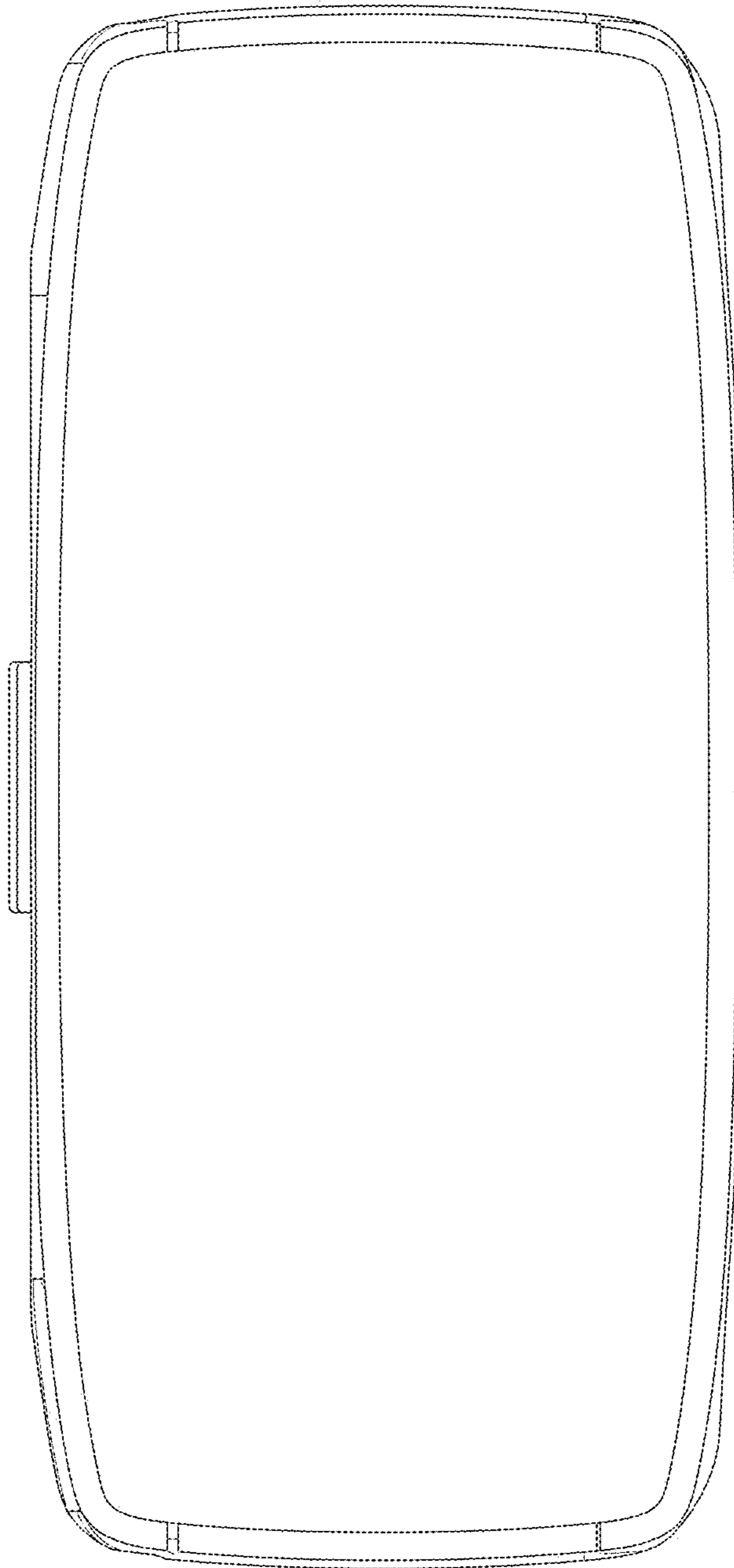


FIG. 7

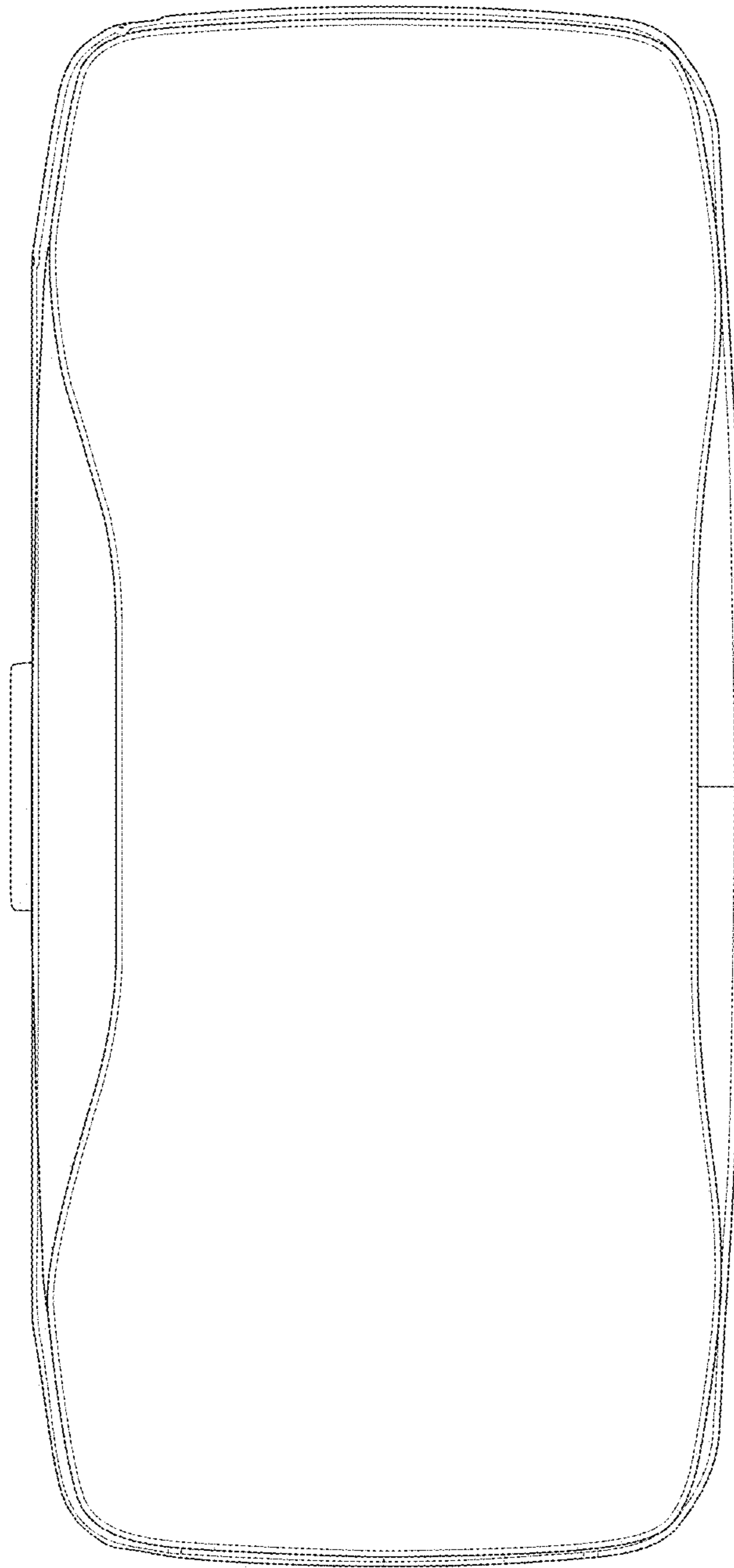


FIG. 8