



US00D934425S

(12) **United States Design Patent** (10) **Patent No.:** **US D934,425 S**  
**Kehren-Quitsdorf et al.** (45) **Date of Patent:** **\*\* Oct. 26, 2021**

(54) **MEDICAL INSTRUMENT FOR EYE SURGICAL PURPOSES**

(56) **References Cited**

(71) Applicant: **OERTLI-INSTRUMENTE AG**,  
Berneck (CH)  
(72) Inventors: **Lisa Kehren-Quitsdorf**, Arbon (CH);  
**Michael Zürcher**, St. Gallen (CH);  
**Lothar Knünz**, Rankweil (AT)  
(73) Assignee: **OERTLI-INSTRUMENTE AG**,  
Berneck (CH)

U.S. PATENT DOCUMENTS

4,327,733 A 5/1982 Gallie  
D319,874 S 9/1991 Hoelbl  
6,575,040 B2 6/2003 Dietrich  
D633,617 S 3/2011 Bricker  
D681,808 S 5/2013 Holaschke  
D731,060 S 6/2015 Little, III  
D747,806 S 1/2016 Wargner  
D817,488 S 5/2018 Umemura  
D819,207 S 5/2018 Blank

(Continued)

(\*\*) Term: **15 Years**

OTHER PUBLICATIONS

(21) Appl. No.: **29/754,393**

Oertli Launches the ViPer Illuminated Scleral Indentor for Retinal Surgery <https://eyewire.news/articles/oertli-launches-the-viper-illuminated-scleral-indentor-for-retinal-surgery/> Jan. 22, 2020 (Year: 2020).\*

(22) Filed: **Oct. 9, 2020**

**Related U.S. Application Data**

(62) Division of application No. 35/507,840, filed on May 17, 2019 (U.S. filing date under 35 U.S.C. 384), and having an international filing date of May 17, 2019, now Pat. No. Des. 925,037.

*Primary Examiner* — Samantha Q Lawrence

(74) *Attorney, Agent, or Firm* — Sughrue Mion, PLLC

(30) **Foreign Application Priority Data**

Nov. 22, 2019 (WO) ..... DM/203533

(51) **LOC (13) Cl.** ..... **24-02**

(52) **U.S. Cl.**  
USPC ..... **D24/150**

(58) **Field of Classification Search**  
USPC ..... D24/127, 130, 133, 138, 146, 147, 150,  
D24/172, 231

CPC ..... A61N 2005/067; A61N 5/062; A61F 7/02;  
A61F 9/00736; A61B 3/165; A61B 3/16;  
A61B 3/18; A61B 1/06; A61B 1/0646;  
A61B 1/07; A61B 2090/308; A61B  
3/0008; A61B 90/20; A61B 90/30; G02B  
21/0012; G02B 23/2423; G02B 23/2461  
See application file for complete search history.

(57) **CLAIM**

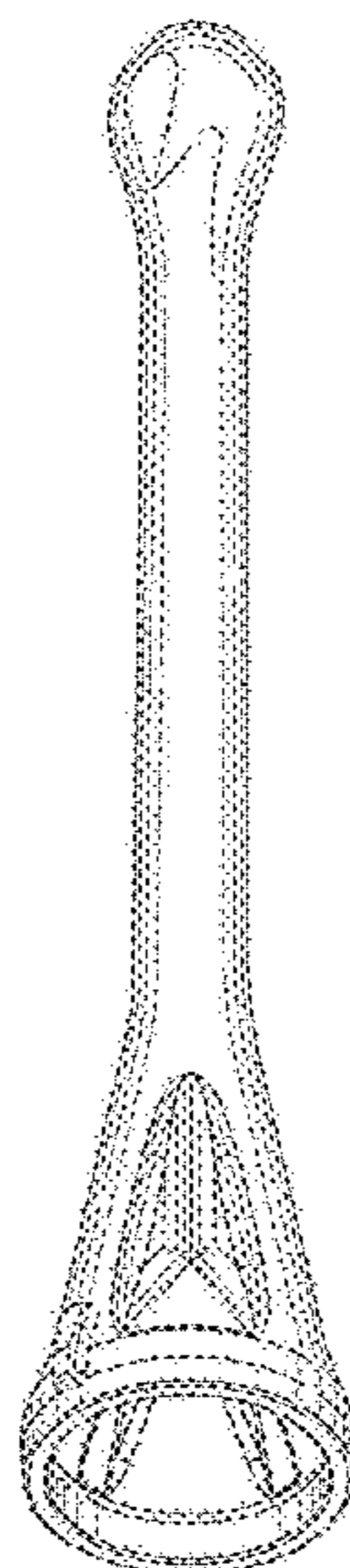
The ornamental design for a medical instrument for eye surgical purposes, as shown and described.

**DESCRIPTION**

FIG. 1 is a perspective view of the medical instrument for eye surgical purposes showing our new design; FIG. 2 is a front elevation view thereof; FIG. 3 is a back side view thereof; FIG. 4 is a right side view thereof; FIG. 5 is a left side view thereof; FIG. 6 is a top view thereof; and, FIG. 7 is a bottom view thereof.

The broken lines shown in FIGS. 1-7 illustrate portions of the medical instrument for eye surgical purposes that form no part of the claimed design.

**1 Claim, 7 Drawing Sheets**



(56)

**References Cited**

U.S. PATENT DOCUMENTS

D875,946	S	2/2020	Abelson	
2008/0081952	A1	4/2008	Josephberg	
2019/0059937	A1	2/2019	Buyda	
2020/0360104	A1*	11/2020	Kehren-Quitsdorf .....	A61B 90/20

\* cited by examiner

FIG. 1

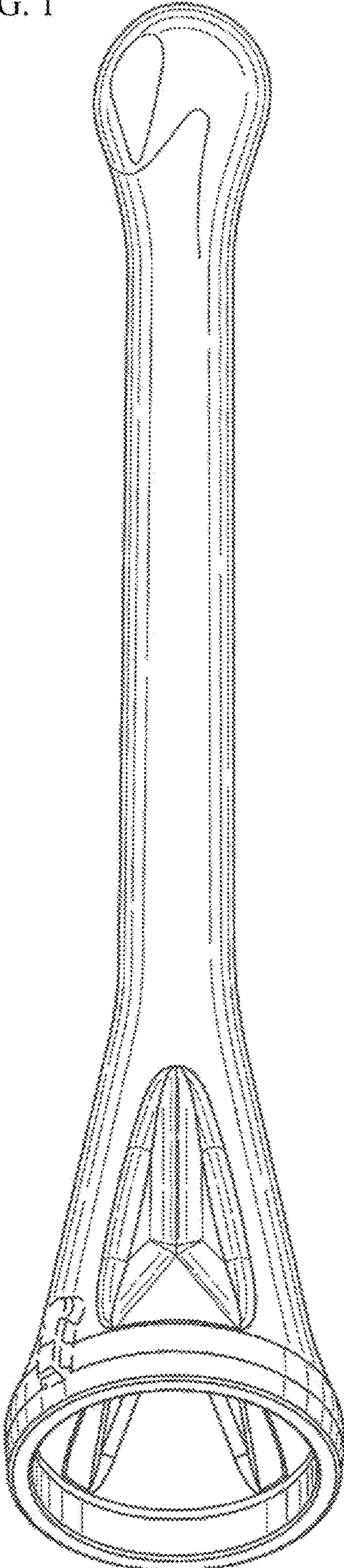


FIG. 2

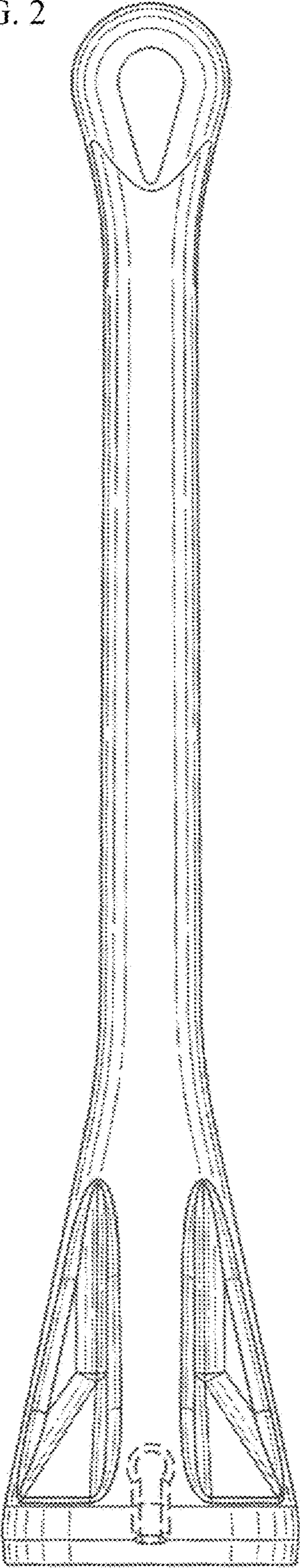




FIG. 3

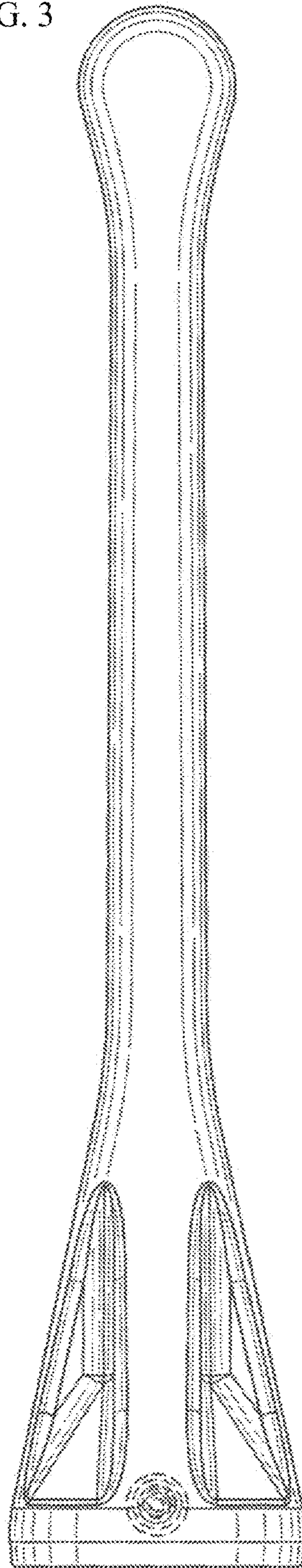


FIG. 4

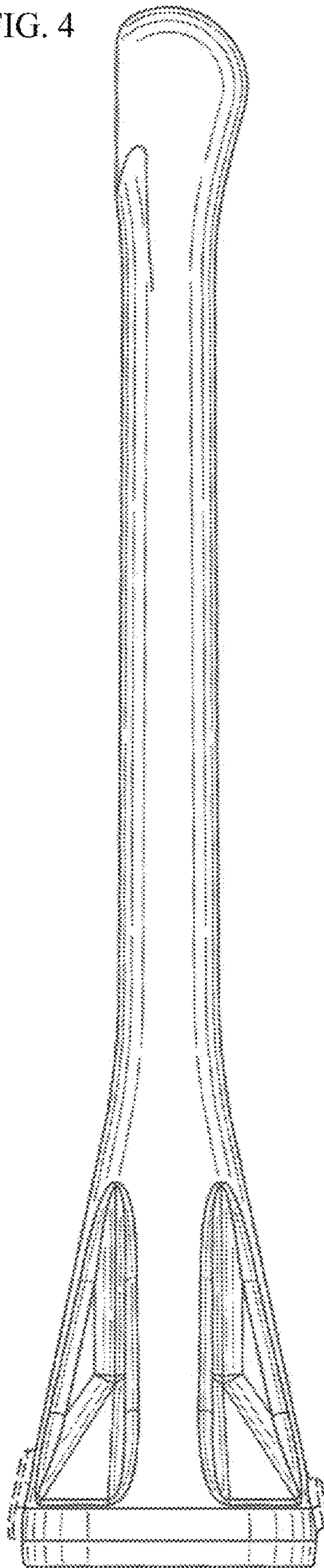


FIG. 5

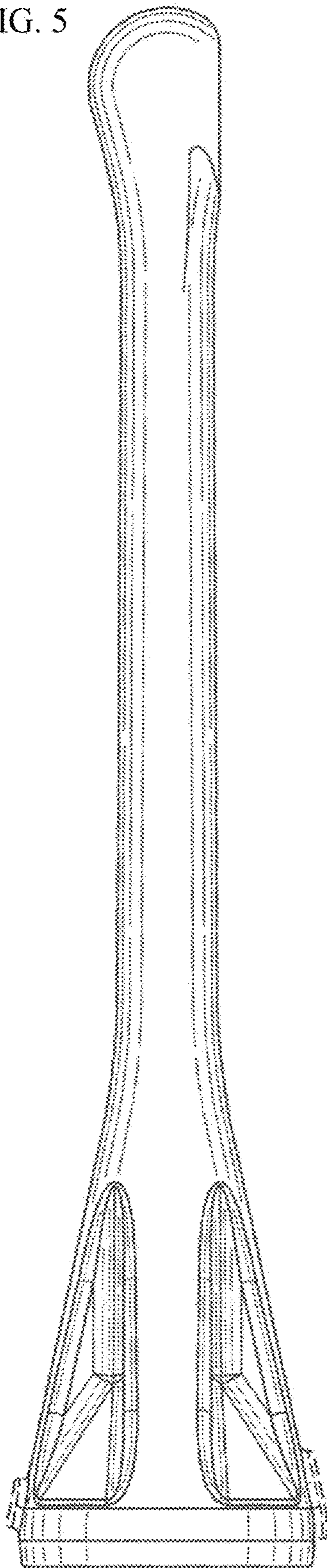


FIG. 6

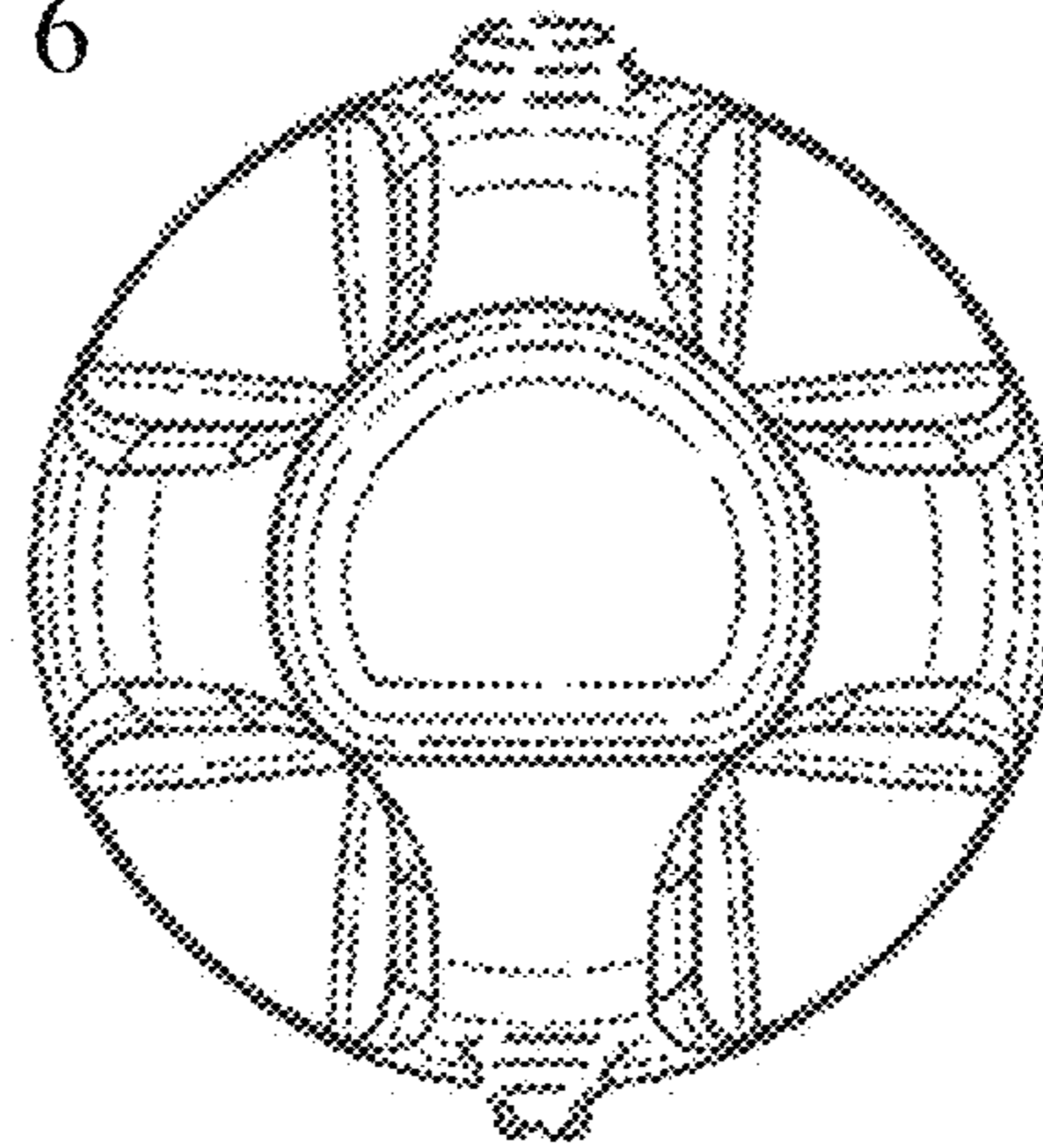




FIG. 7

