



US00D934422S

(12) **United States Design Patent** (10) **Patent No.:** **US D934,422 S**
Siciliano (45) **Date of Patent:** **** Oct. 26, 2021**

- (54) **TATTOO NEEDLE CARTRIDGE**
- (71) Applicant: **FK Irons Inc.**, Doral, FL (US)
- (72) Inventor: **Gaston Siciliano**, Doral, FL (US)
- (73) Assignee: **FK IRONS INC.**, Doral, FL (US)
- (**) Term: **15 Years**
- (21) Appl. No.: **29/741,890**
- (22) Filed: **Jul. 16, 2020**

- D737,972 S 9/2015 Chen
- D739,019 S 9/2015 Chen
- D745,152 S 12/2015 Mayer
- D746,455 S 12/2015 Mayer
- D750,258 S 2/2016 Crossley
- D763,443 S 8/2016 Chen
- D776,812 S 1/2017 Heath
- D782,041 S 3/2017 Pell
- 9,662,483 B2 5/2017 Siciliano
- D799,697 S 10/2017 Cosmescu
- D805,640 S 12/2017 Lee
- D819,207 S 5/2018 Blank
- D831,208 S 10/2018 Benisty
- D839,425 S 1/2019 Zanata
- D842,468 S 3/2019 Juan
- 10,449,346 B2 * 10/2019 Juan A61M 37/0076
- D865,965 S 11/2019 Siciliano
- D893,716 S * 8/2020 Siciliano D24/144
- D899,594 S * 10/2020 Wang D24/144

Related U.S. Application Data

- (62) Division of application No. 29/663,169, filed on Sep. 12, 2018, now Pat. No. Des. 893,716.
- (51) **LOC (13) Cl.** **24-02**
- (52) **U.S. Cl.**
USPC **D24/144**
- (58) **Field of Classification Search**
USPC D24/144, 146, 133
CPC A61M 37/0076; A61M 37/0084; A61M 37/0092; A61M 37/00; A61M 5/46; A61M 5/48
See application file for complete search history.

Primary Examiner — Wan Laymon
(74) *Attorney, Agent, or Firm* — Akerman LLP; Peter A. Chiabotti

(57) **CLAIM**

The ornamental design for a tattoo needle cartridge, as shown and described.

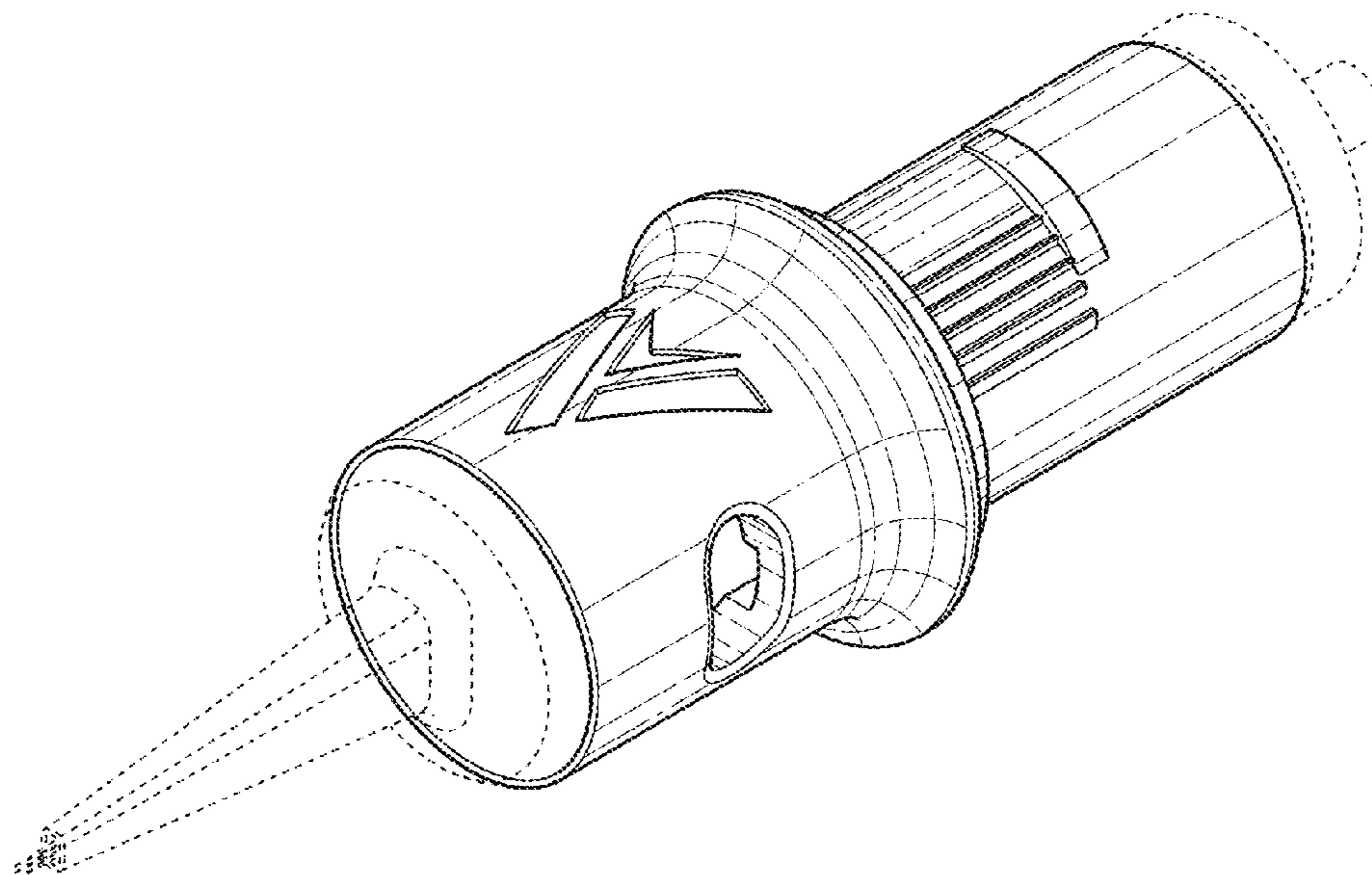
DESCRIPTION

FIG. 1 is a front top perspective view of a tattoo needle cartridge in accordance with the present disclosure; FIGS. 2 and 3 are side views thereof; FIG. 4 is a top view thereof; FIG. 5 is a bottom view thereof; FIG. 6 is a rear view thereof; FIG. 7 is a front view thereof; and, FIG. 8 is a side skewed perspective thereof. The features shown in broken lines in the various Figures are for illustrating environmental structure and form no part of the claimed design.

1 Claim, 7 Drawing Sheets

(56) **References Cited**
U.S. PATENT DOCUMENTS

- D231,031 S 3/1974 Hinnenkamp
- D419,719 S 1/2000 Garcia
- D478,383 S 8/2003 Timm
- D497,992 S 11/2004 Timm
- D619,715 S 7/2010 Kim
- D622,000 S 8/2010 Kluge
- D691,264 S 10/2013 Dallemagne
- D704,336 S 5/2014 Chon
- D723,686 S 3/2015 Kratoska
- D723,687 S 3/2015 Kratoska
- D735,855 S 8/2015 Kimball



(56)

References Cited

U.S. PATENT DOCUMENTS

D902,402	S	*	11/2020	Wang	D24/144
10,835,725	B2	*	11/2020	Xiao	A61M 37/0084
2010/0206138	A1		8/2010	Clark		
2013/0226211	A1		8/2013	Xiao		
2016/0354592	A1		12/2016	Juan		
2017/0072177	A1		3/2017	Oscar		
2017/0072178	A1		3/2017	Xiao		
2017/0157382	A1		6/2017	Siciliano		
2018/0236178	A1		8/2018	Neumetzler		
2018/0369553	A1		12/2018	Siciliano		
2019/0134371	A1		5/2019	Johansson		
2019/0134372	A1		5/2019	Johansson		
2019/0217072	A1	*	7/2019	Xiao	A61M 37/0084
2020/0086103	A1	*	3/2020	Juan	A61M 37/0076

* cited by examiner

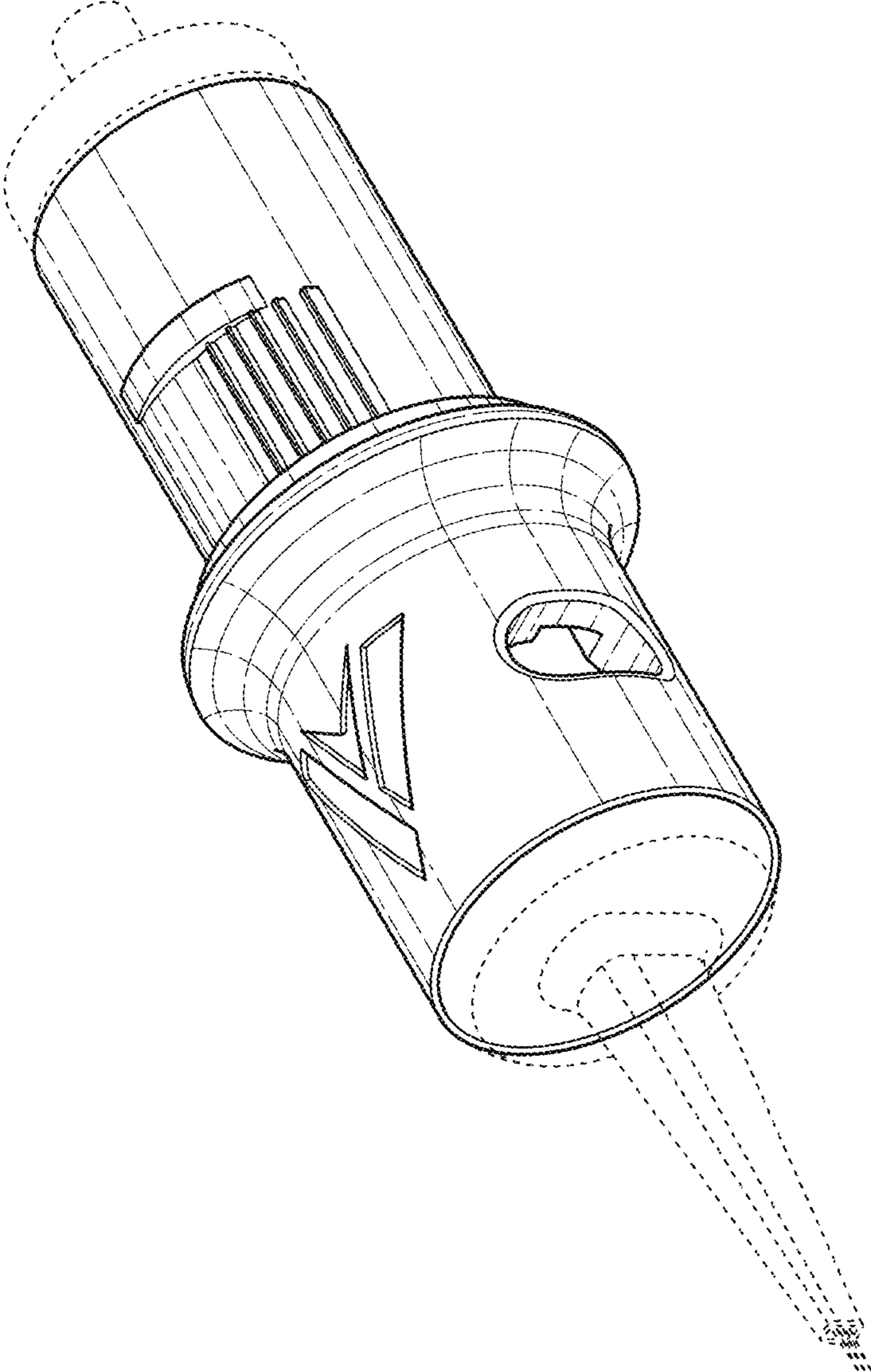


FIG. 1

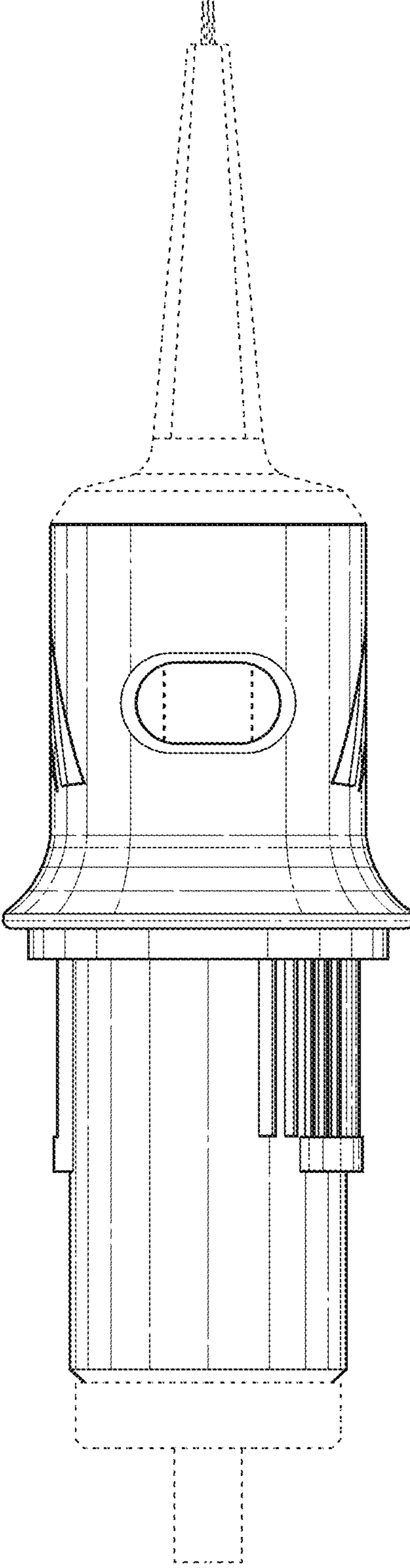


FIG. 2

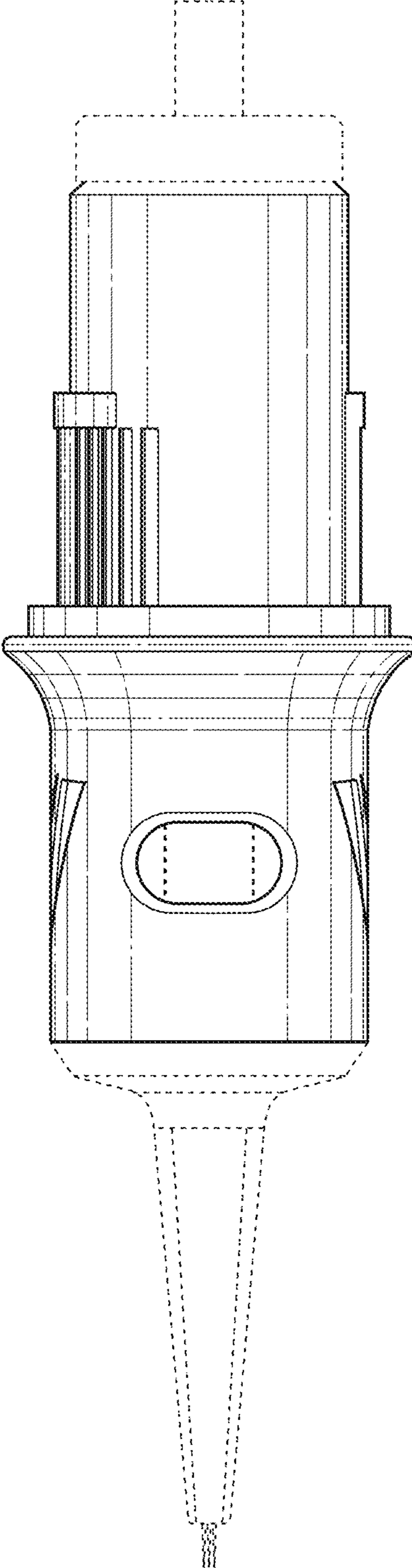


FIG. 3

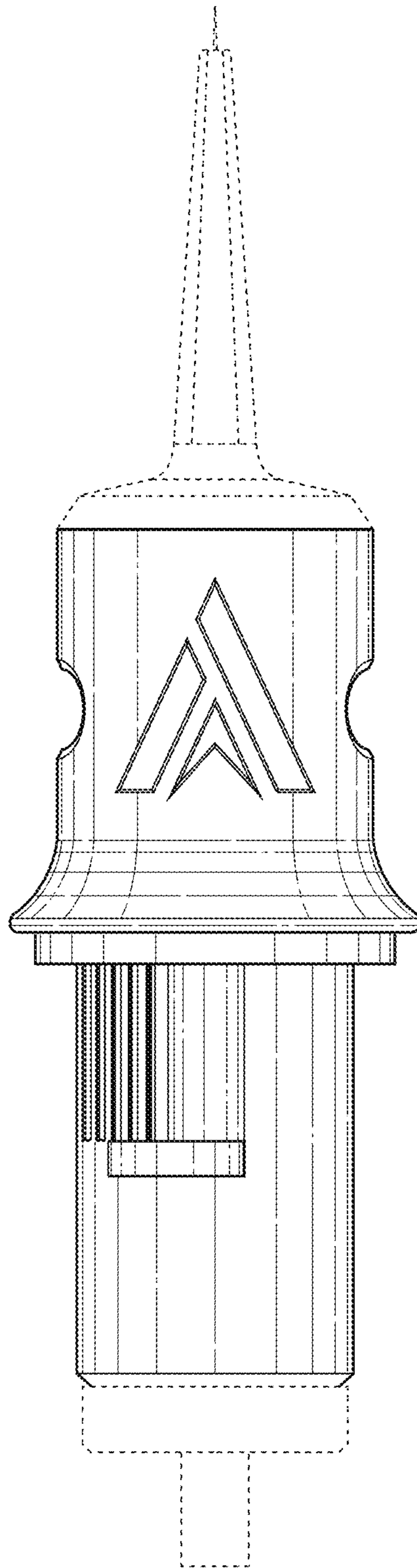


FIG. 4

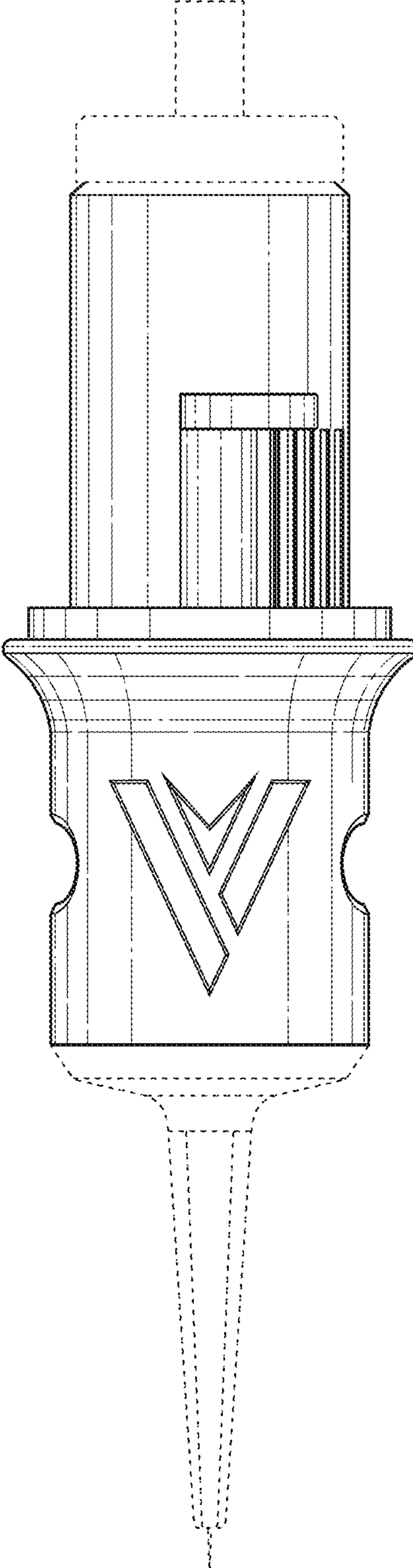


FIG. 5

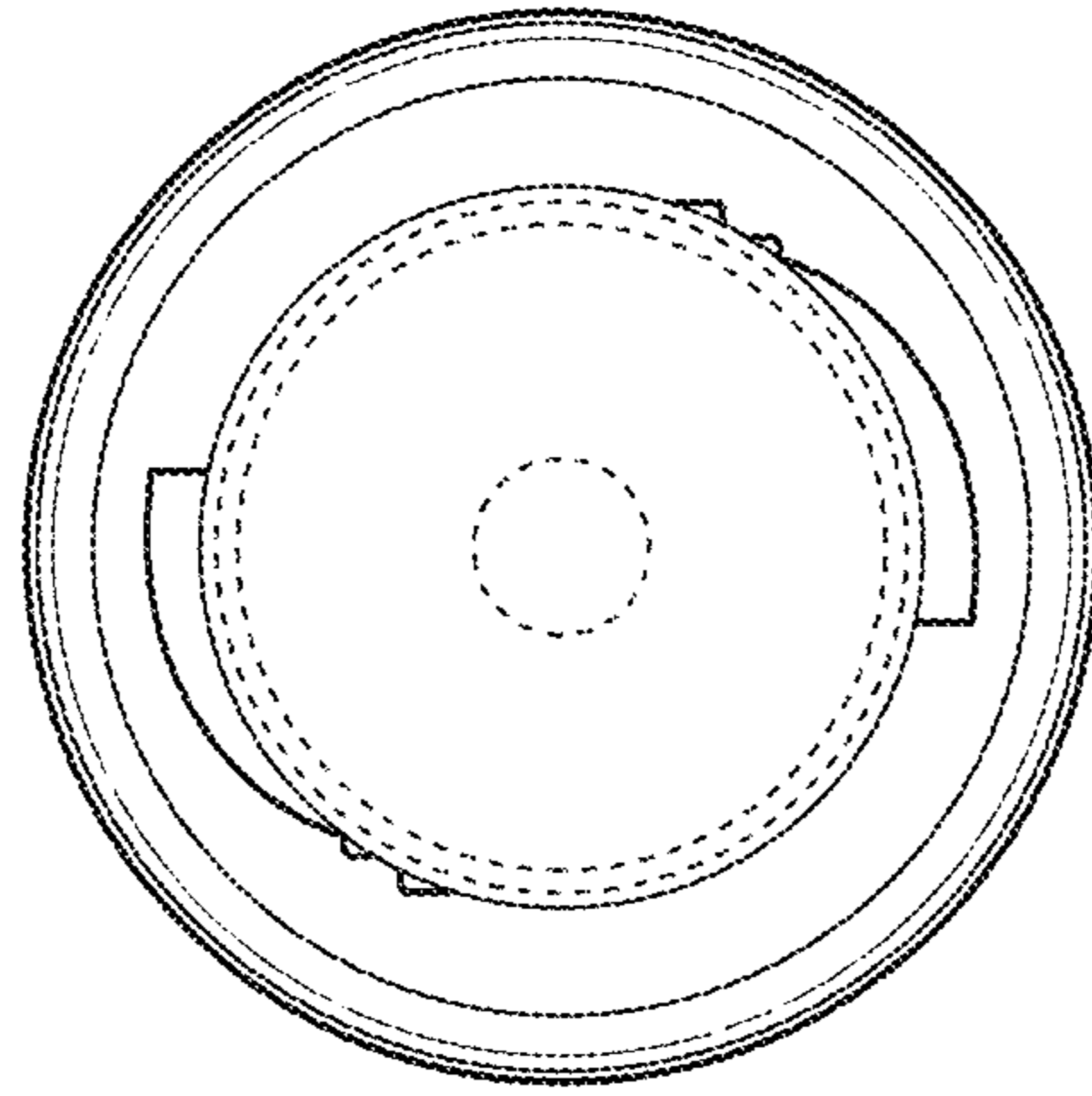


FIG. 7

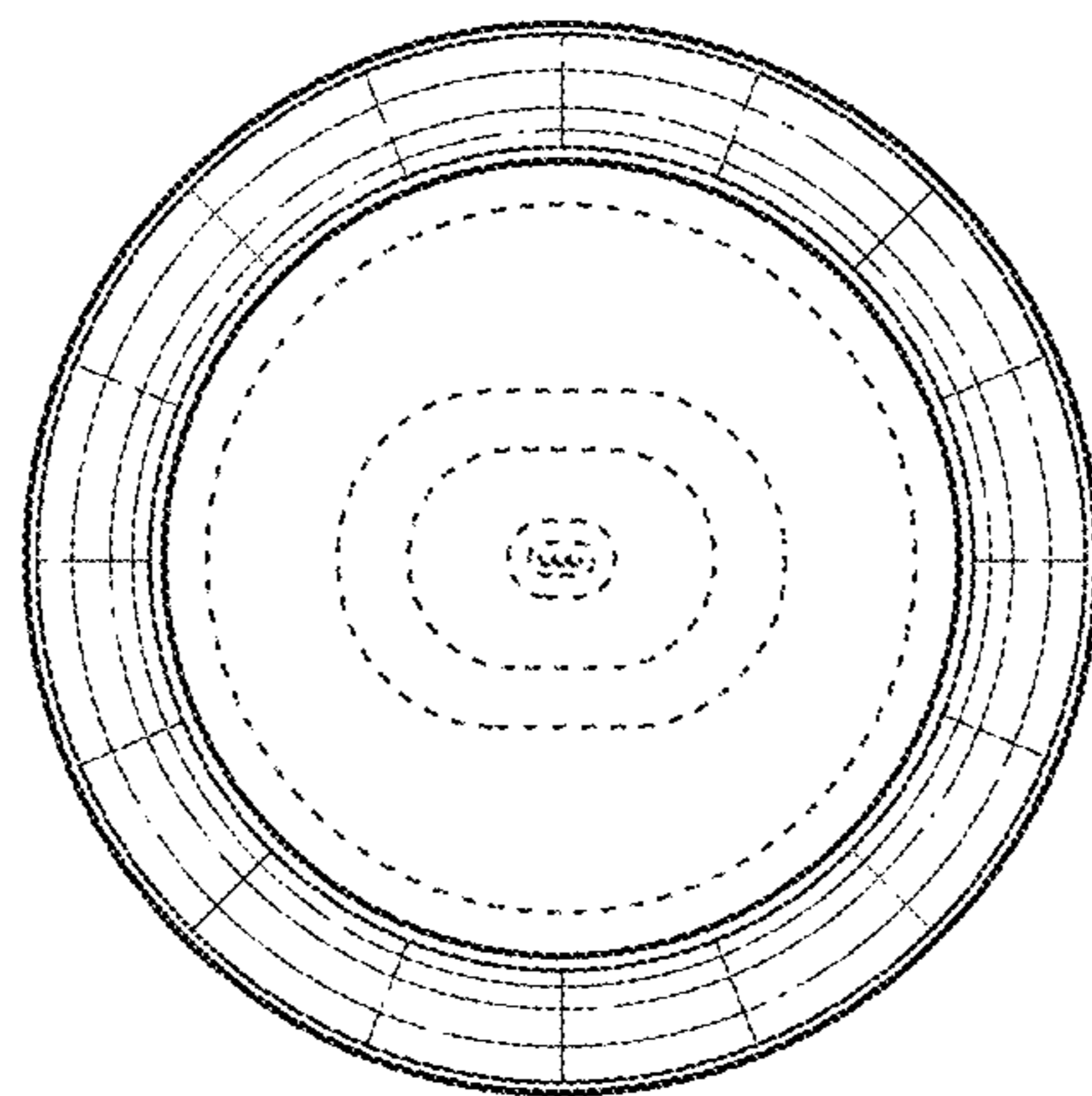


FIG. 6

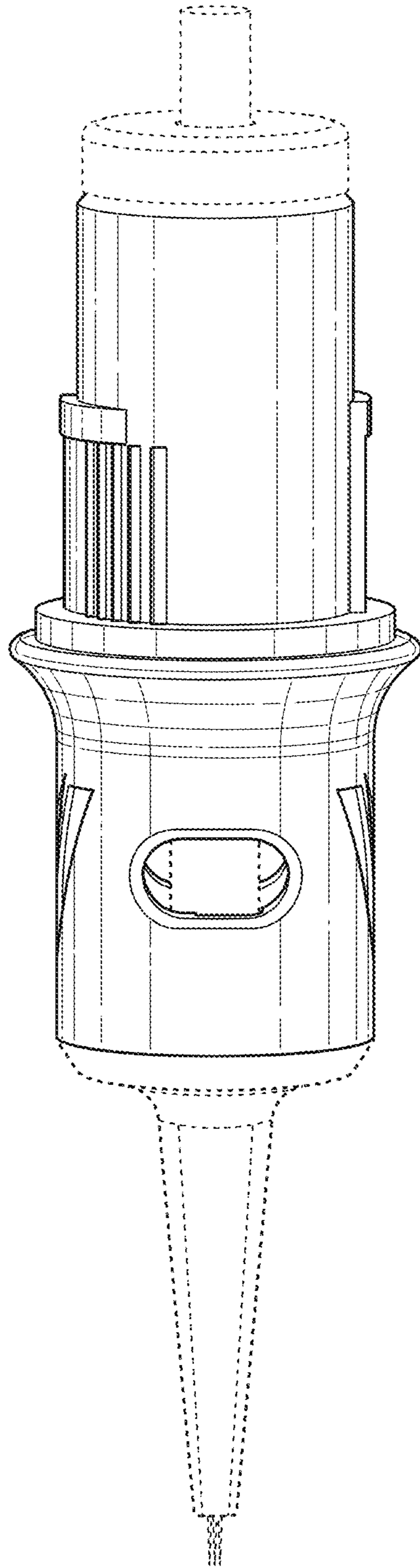


FIG. 8