



US00D934421S

(12) **United States Design Patent**  
**Lee et al.**

(10) **Patent No.:** **US D934,421 S**  
(45) **Date of Patent:** **\*\* Oct. 26, 2021**

(54) **GUIDE TRAY FOR MANUFACTURING DENTAL IMPLANTS' PLACEMENT GUIDE**

(71) Applicant: **IMSOL CORP.**, Gunpo (KR)

(72) Inventors: **Yun Ho Lee**, Hanam (KR); **Da Som Heo**, Hanam (KR); **Heui Jung Yang**, Seongnam (KR)

(73) Assignee: **IMSOL CORP.**, Gunpo (KR)

(\*\*) Term: **15 Years**

(21) Appl. No.: **29/713,123**

(22) Filed: **Nov. 13, 2019**

(30) **Foreign Application Priority Data**

May 13, 2019 (KR) ..... 30-2019-0022396

(51) **LOC (13) Cl.** ..... **24-02**

(52) **U.S. Cl.**  
USPC ..... **D24/140**; D24/181

(58) **Field of Classification Search**  
USPC ..... D24/140, 133, 152, 176, 181, 155, 156, D24/180  
CPC ..... A61C 8/0001; A61C 8/009; A61C 9/0006; A61C 9/0053; A61C 9/0046; A61C 1/084; A61B 6/145; A61B 6/032; A61B 6/12; A61B 6/14; A61B 6/5247; A61B 2090/3966

See application file for complete search history.

(56) **References Cited**

**U.S. PATENT DOCUMENTS**

D266,269 S \* 9/1982 Werrin ..... D24/181  
4,689,010 A \* 8/1987 Wolfe ..... A61C 9/0006  
433/38  
D302,463 S \* 7/1989 Wolfe ..... D24/181  
D413,386 S \* 8/1999 Werrin ..... D24/181  
D465,574 S \* 11/2002 Eyde ..... D24/181

6,835,065 B1 \* 12/2004 Wise ..... A61C 9/0006  
433/37  
D571,919 S \* 6/2008 Kwon ..... D24/181  
D845,490 S \* 4/2019 Pierson ..... D24/181  
D915,588 S \* 4/2021 Dacosta ..... D24/140  
2005/0095553 A1 \* 5/2005 Gittleman ..... A61C 9/0006  
433/37  
2020/0205938 A1 \* 7/2020 Lee ..... A61C 8/009  
2021/0030378 A1 \* 2/2021 Heo ..... A61B 34/25  
2021/0086271 A1 \* 3/2021 Lee ..... A61C 1/082

**FOREIGN PATENT DOCUMENTS**

KR 301064293.0000 \* 6/2020  
KR 301064295.0000 \* 6/2020  
KR 301064296.0000 \* 6/2020  
KR 301064297.0000 \* 6/2020  
KR 301064298.0000 \* 6/2020  
KR 301064299.0000 \* 6/2020  
KR 301064302.0000 \* 6/2020  
KR 301064304.0000 \* 6/2020  
KR 301064307.0000 \* 6/2020  
KR 301064309.0000 \* 6/2020

\* cited by examiner

*Primary Examiner* — Bridget L Eland

(57) **CLAIM**

The ornamental design for a guide tray for manufacturing dental implants' placement guide, as shown and described.

**DESCRIPTION**

FIG. 1 is a perspective view of a guide tray for manufacturing dental implants' placement guide showing our new design;  
FIG. 2 is a front elevation view thereof;  
FIG. 3 is a rear elevation view thereof;  
FIG. 4 is a left-side elevation view thereof;  
FIG. 5 is a right-side elevation view thereof;  
FIG. 6 is a top plan view thereof; and,  
FIG. 7 is a bottom plan view thereof.

**1 Claim, 5 Drawing Sheets**

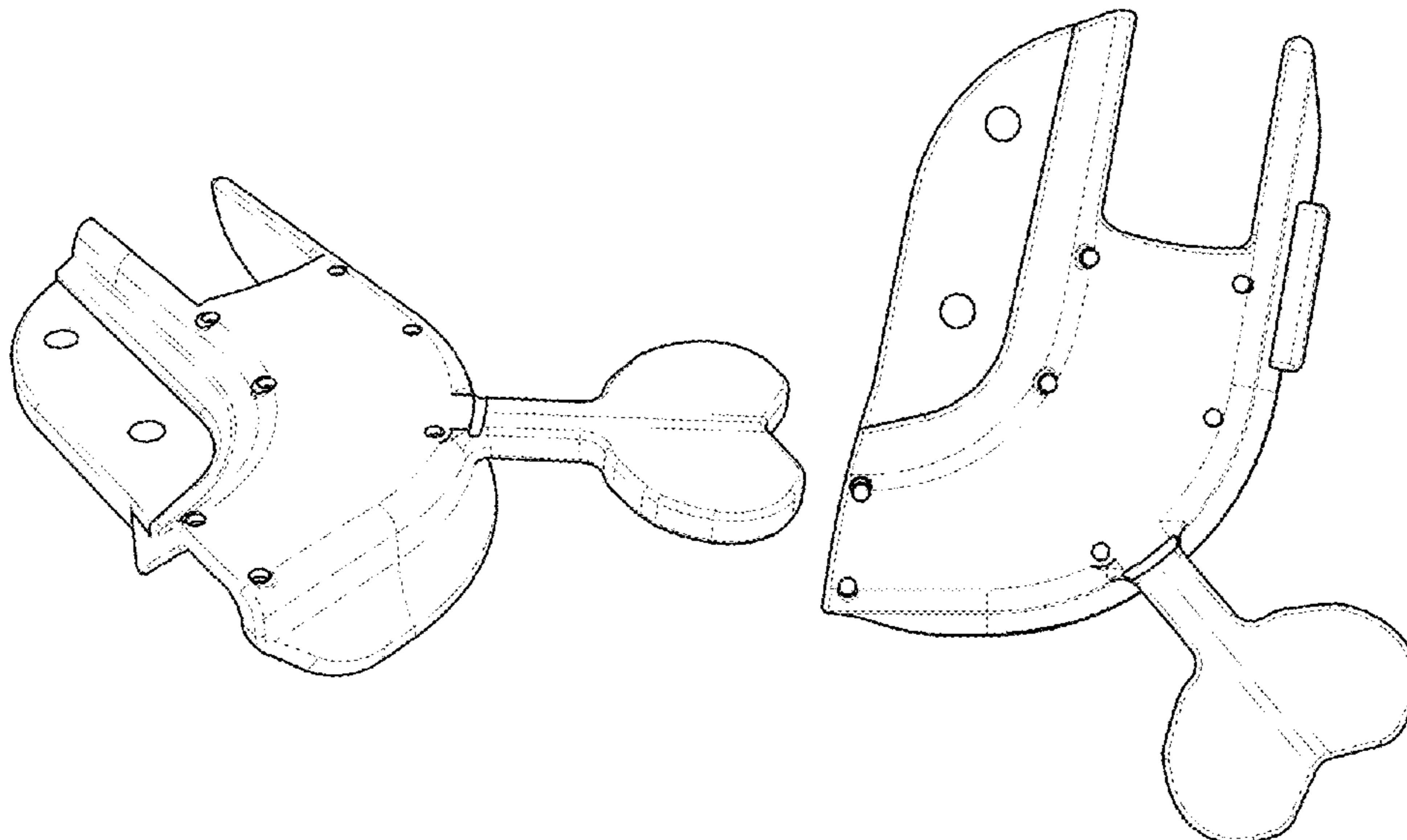


FIG. 1

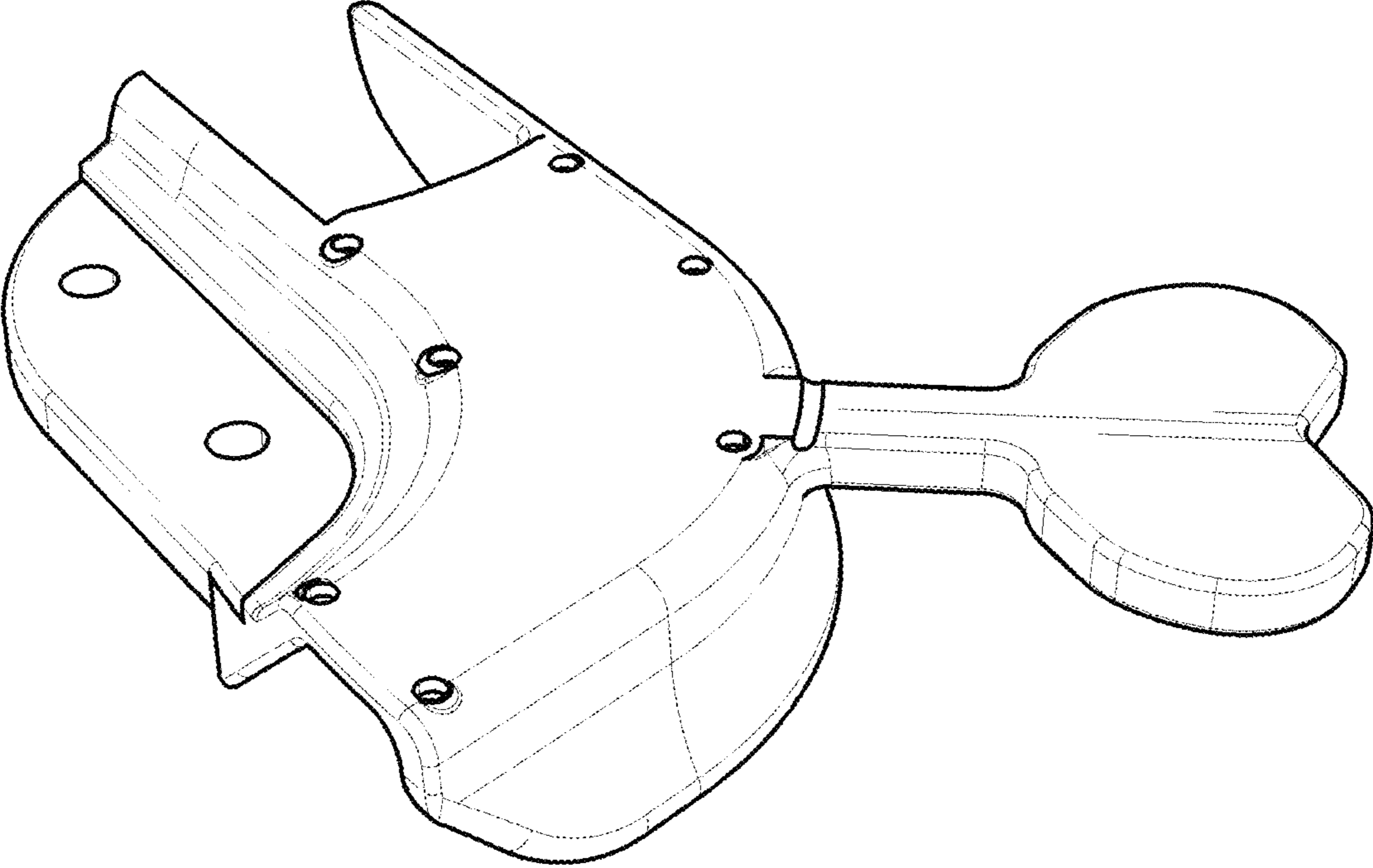


FIG. 2

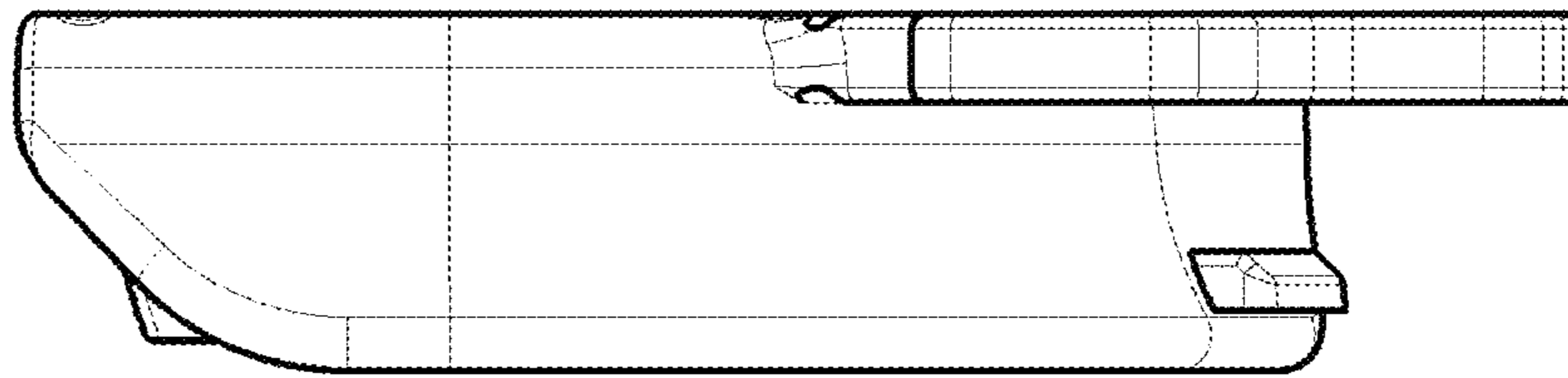


FIG. 3

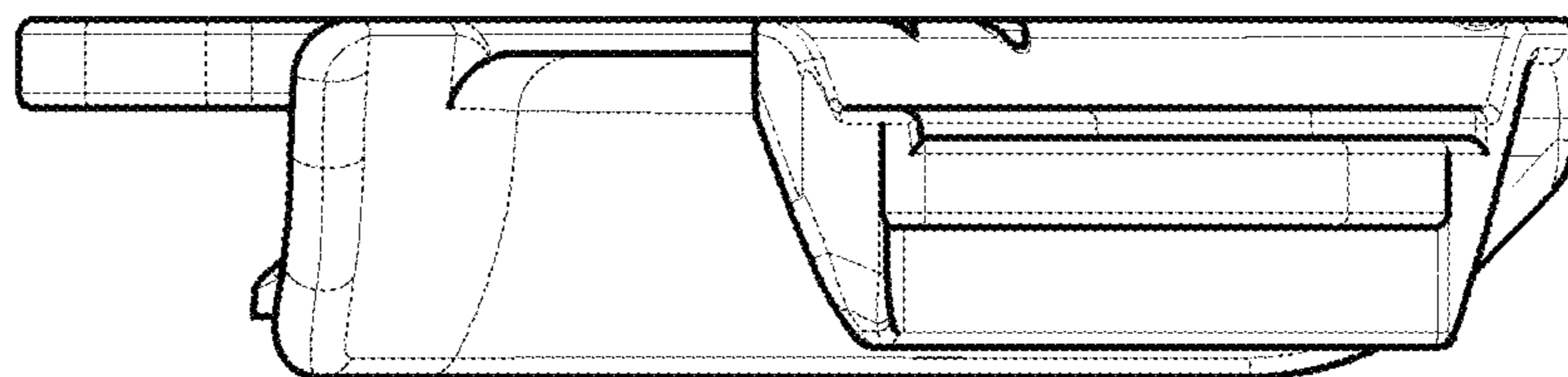


FIG. 4

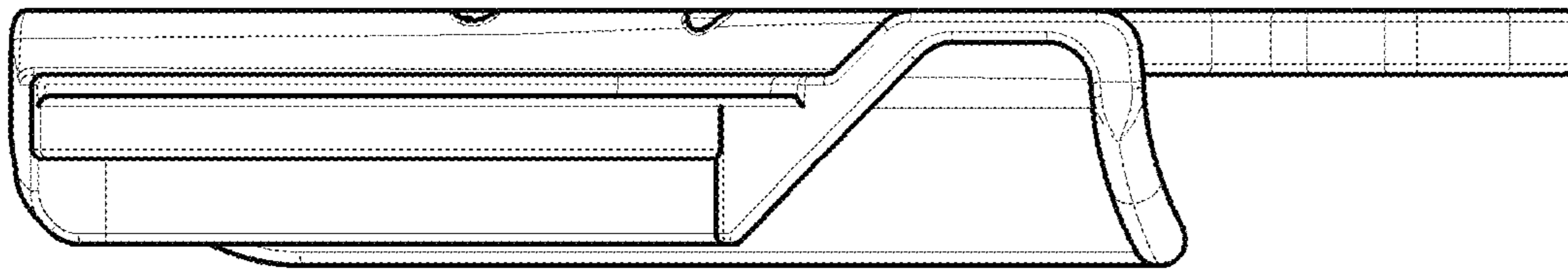


FIG. 5

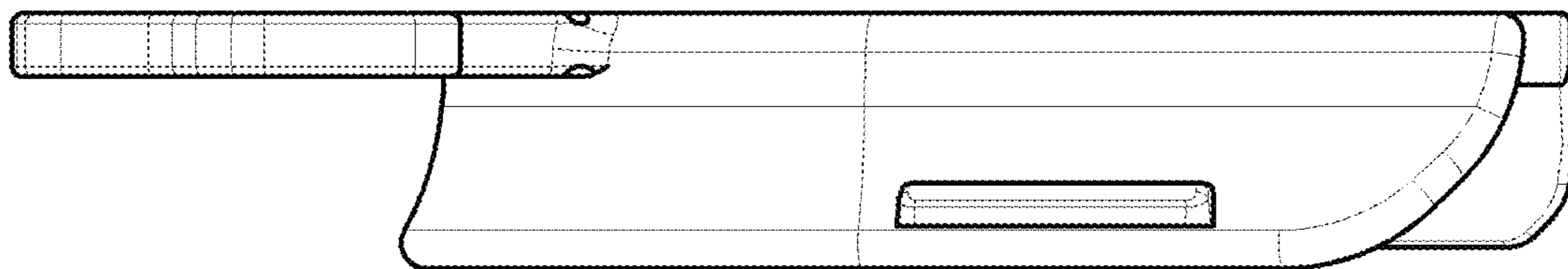


FIG. 6

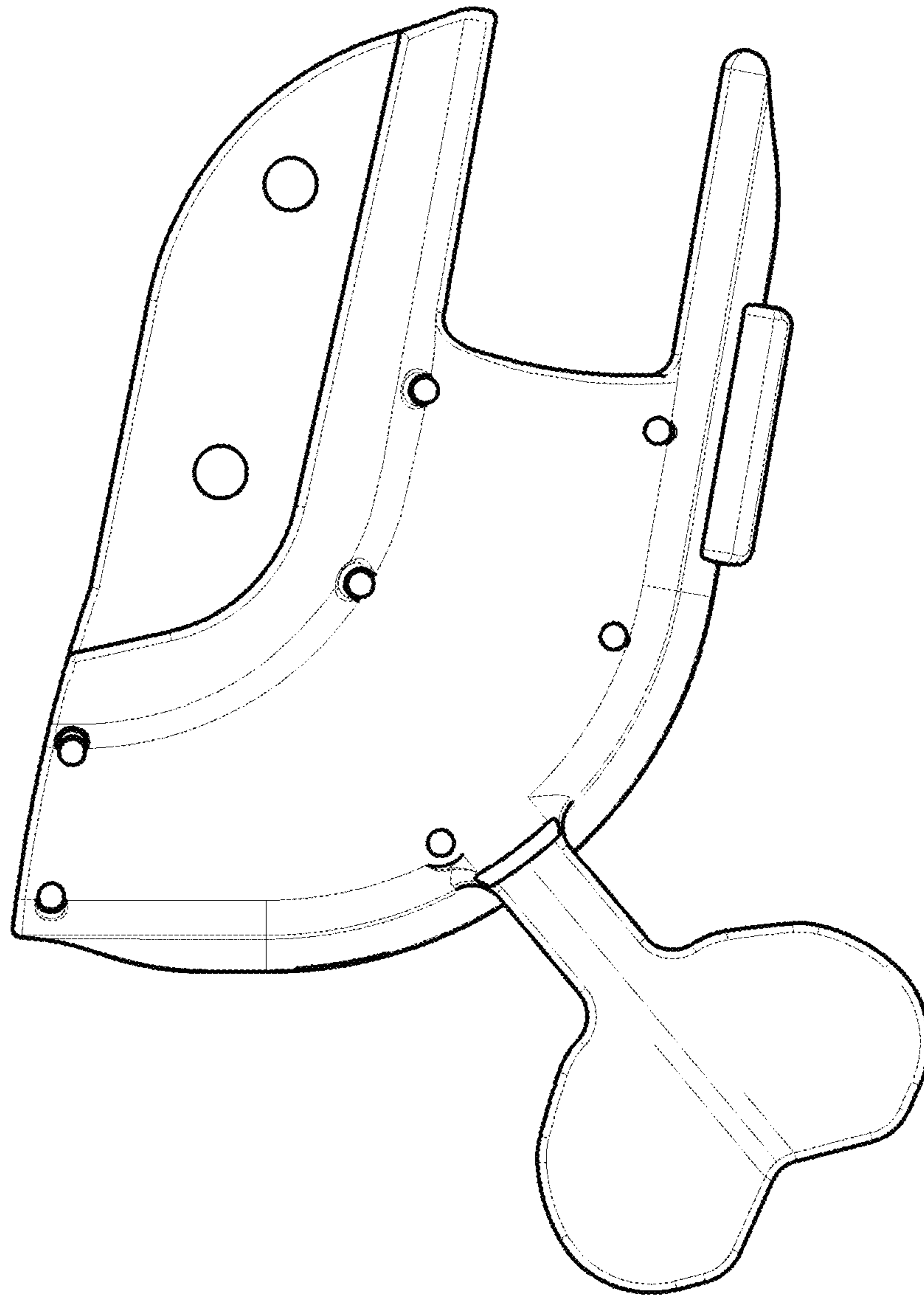


FIG. 7

