



US00D934419S

(12) **United States Design Patent** (10) **Patent No.:** **US D934,419 S**
Gertsenchtein (45) **Date of Patent:** **** Oct. 26, 2021**

(54) **SYRINGE HOLDING DEVICE**

OTHER PUBLICATIONS

(71) Applicant: **JUBILANT DRAXIMAGE INC.**,
Kirkland (CA)

(72) Inventor: **Michael Gertsenchtein**, Kanata (CA)

(73) Assignee: **JUBILANT DRAXIMAGE INC.**

(**) Term: **15 Years**

(21) Appl. No.: **29/728,818**

(22) Filed: **Mar. 20, 2020**

(51) **LOC (13) Cl.** **24-02**

(52) **U.S. Cl.**
USPC **D24/130; D24/112**

(58) **Field of Classification Search**
USPC D24/127-130, 112, 108
CPC G21F 5/00; A61N 5/1002; A61M 5/1785;
A61M 2205/6081
See application file for complete search history.

Illuminated Vial Shield, Mirion Technologies, [First posted Jun. 5, 2016], [site visited Aug. 17, 2021], Seen at URL: <https://web.archive.org/web/20160605190337/http://www.capintec.com/product/illuminated-vial-shield/> (Year: 2016).*
Magnetic Tungsten Vial Shield, Nuclear Shields, [First posted Sep. 27, 2020], [Site visited Aug. 17, 2021], Seen at URL: <https://www.nuclear-shields.com/magnetic-tungsten-vial-shield.html> (Year: 2020).*

* cited by examiner

Primary Examiner — Natasha Vujcic

Assistant Examiner — Gilbert B Ford

(74) *Attorney, Agent, or Firm* — Lavery, De Billy, LLP;
Gonzalo Lavin

(56) **References Cited**

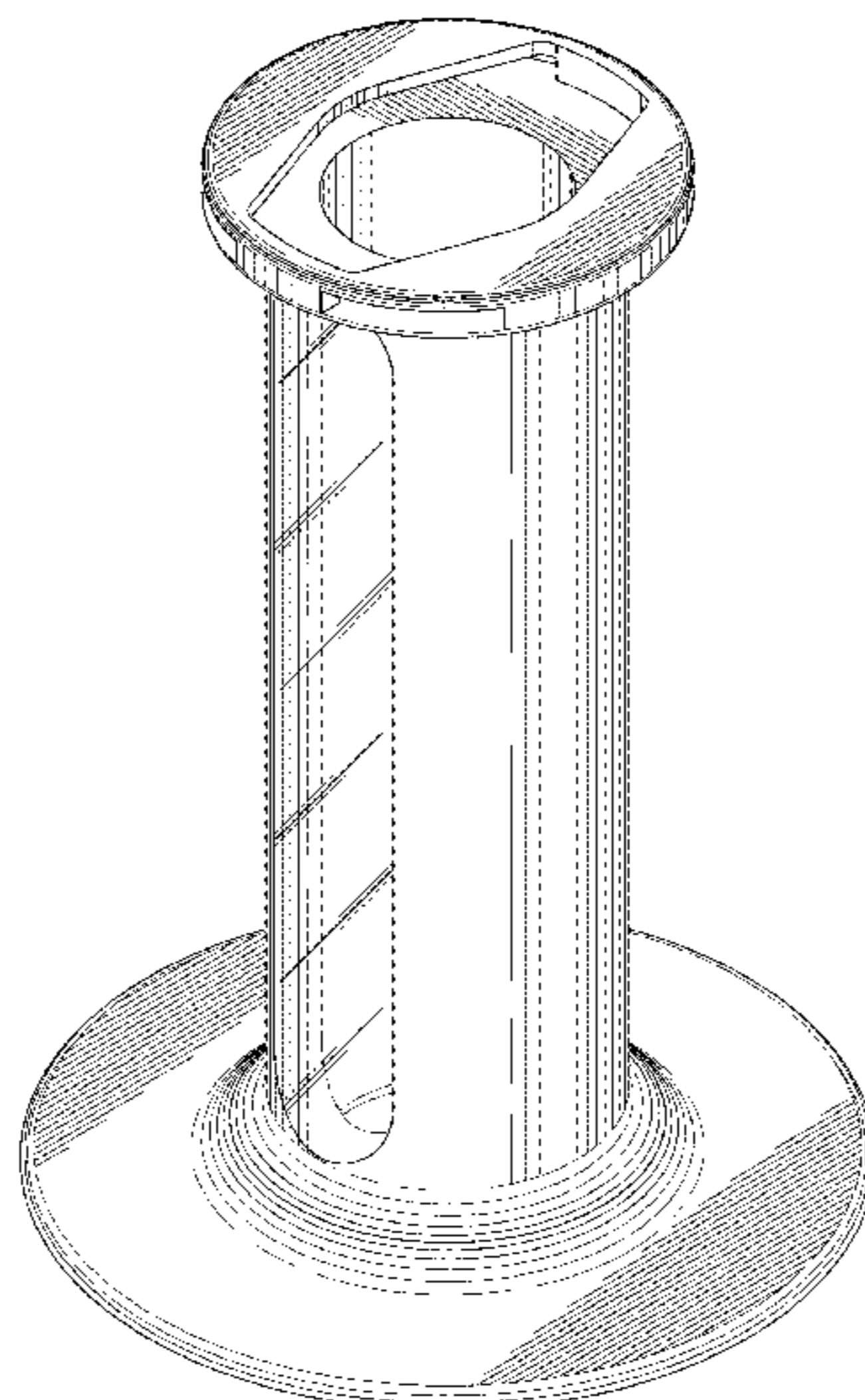
U.S. PATENT DOCUMENTS

5,498,243 A * 3/1996 Vallelunga A61M 5/3243
604/187
D412,206 S * 7/1999 Basile D24/130
D439,345 S * 3/2001 Herchenbach D24/224
D459,803 S * 7/2002 Swenson D24/108
D460,181 S * 7/2002 Swenson D24/108
D460,182 S * 7/2002 Swenson D24/108
D485,365 S * 1/2004 Py D24/121
D533,670 S * 12/2006 Py D24/224
D561,907 S * 2/2008 Py D24/224
D561,908 S * 2/2008 Py D24/224
D585,561 S * 1/2009 Py D24/224
D715,428 S * 10/2014 Baid D24/130
D888,272 S * 6/2020 Pirod D24/224
2011/0124948 A1 * 5/2011 Yokell G21H 5/02
600/5
2012/0187316 A1 * 7/2012 Mayfield G21F 5/015
250/515.1
2015/0366758 A1 * 12/2015 Noguchi A61J 1/2044
604/407

DESCRIPTION

FIG. 1 is a perspective front view of a syringe holding device showing my new design;
FIG. 2 is a side plan view thereof;
FIG. 3 is a front plan view thereof;
FIG. 4 is a back plan view thereof;
FIG. 5 is a top plan view thereof;
FIG. 6 is a bottom view thereof;
FIG. 7 is a perspective front view of another embodiment of a syringe holding device showing my new design;
FIG. 8 is a side plan view thereof;
FIG. 9 is a front plan view thereof;
FIG. 10 is a back plan view thereof;
FIG. 11 is a top plan view thereof;
FIG. 12 is a bottom view thereof; and,
FIG. 13 is a perspective exploded front view thereof.

1 Claim, 13 Drawing Sheets



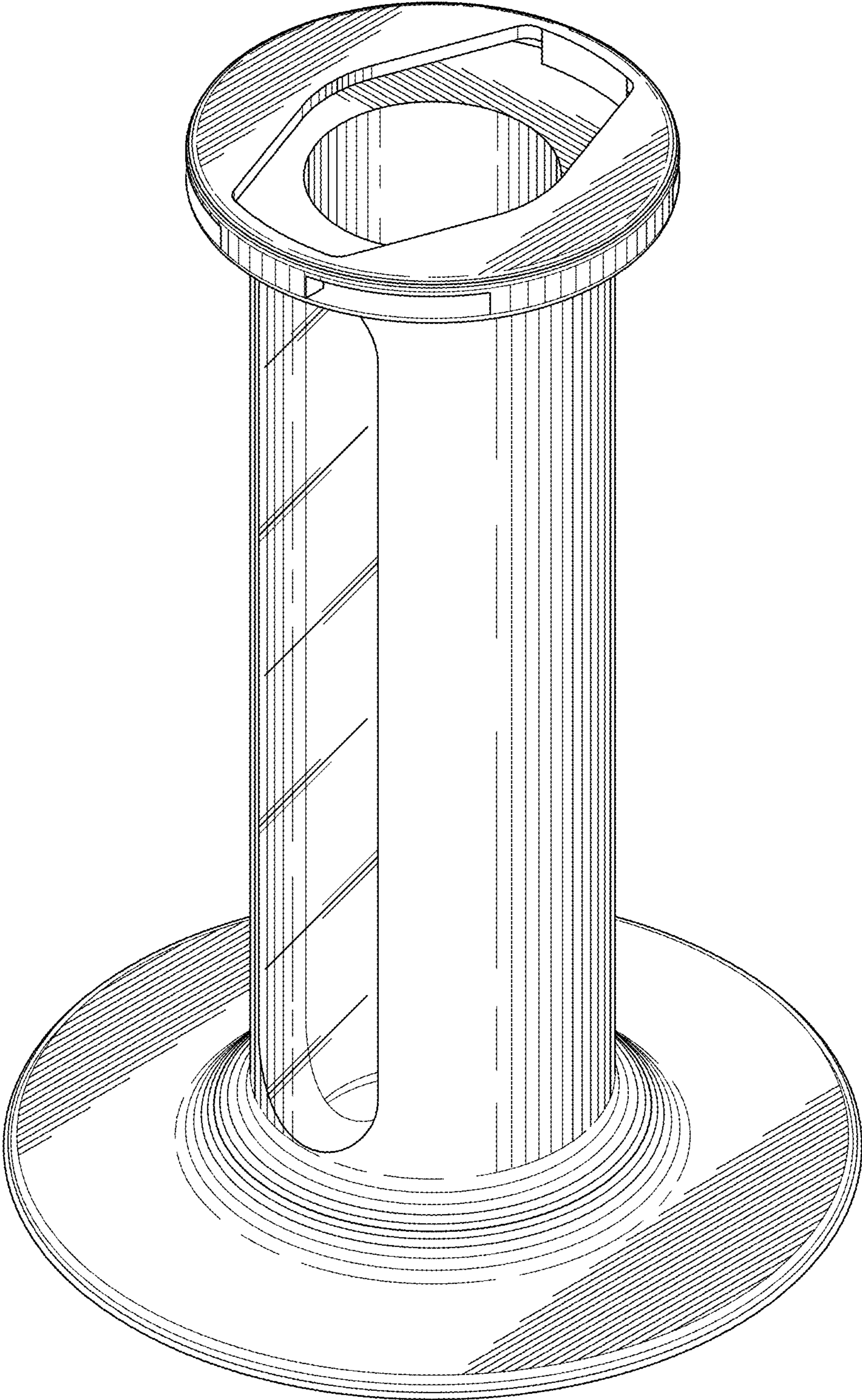


FIG. 1

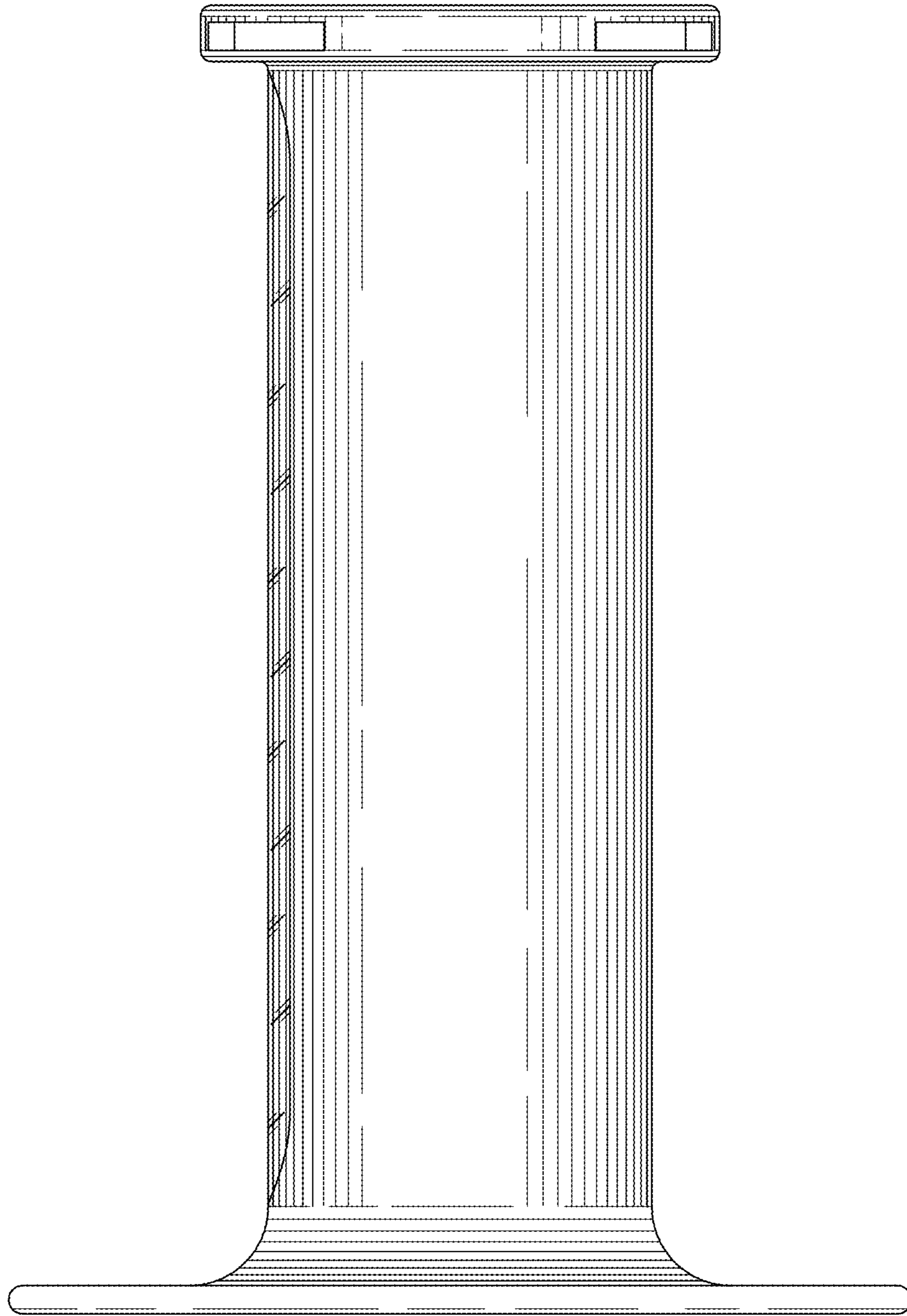


FIG. 2

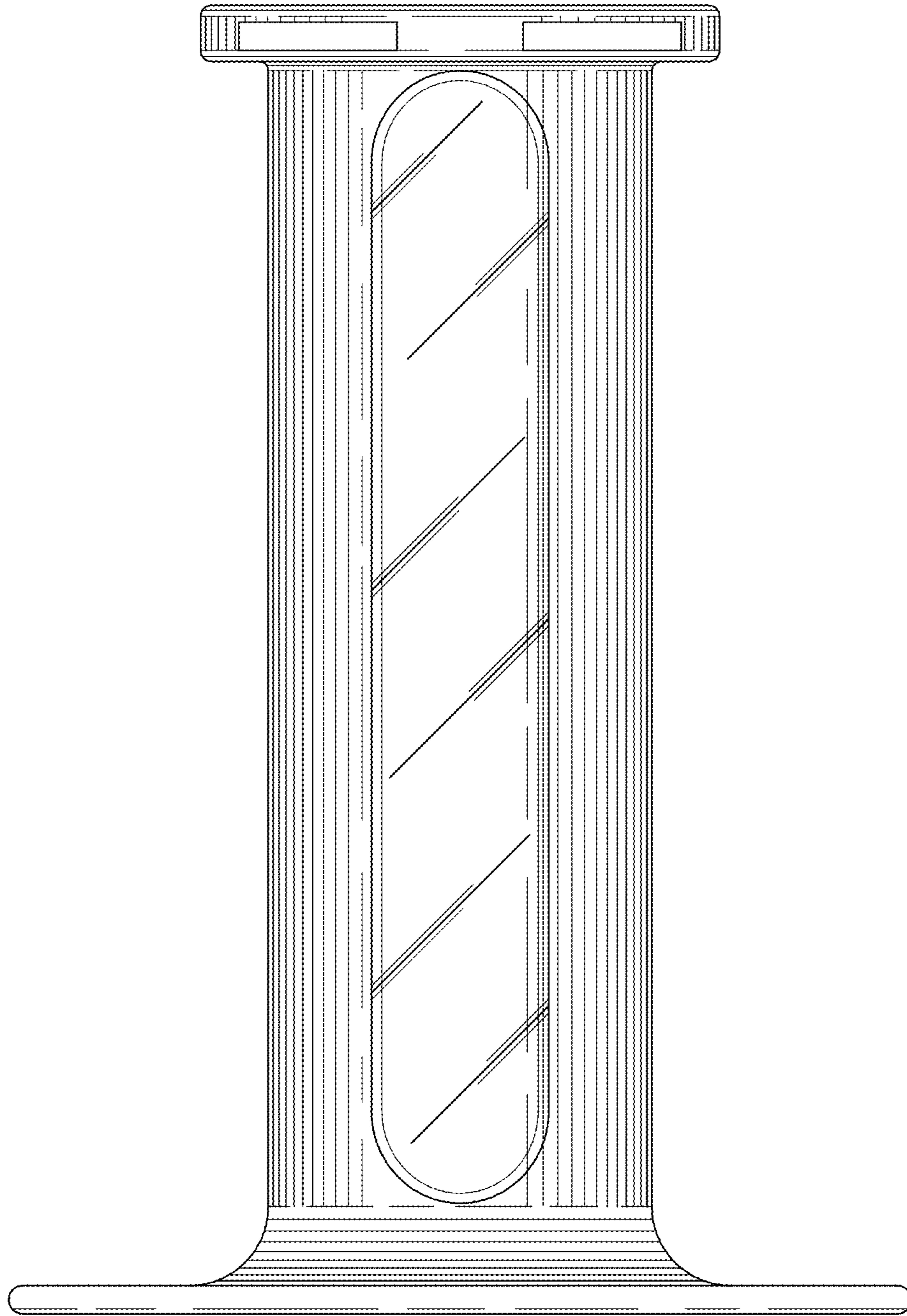


FIG. 3

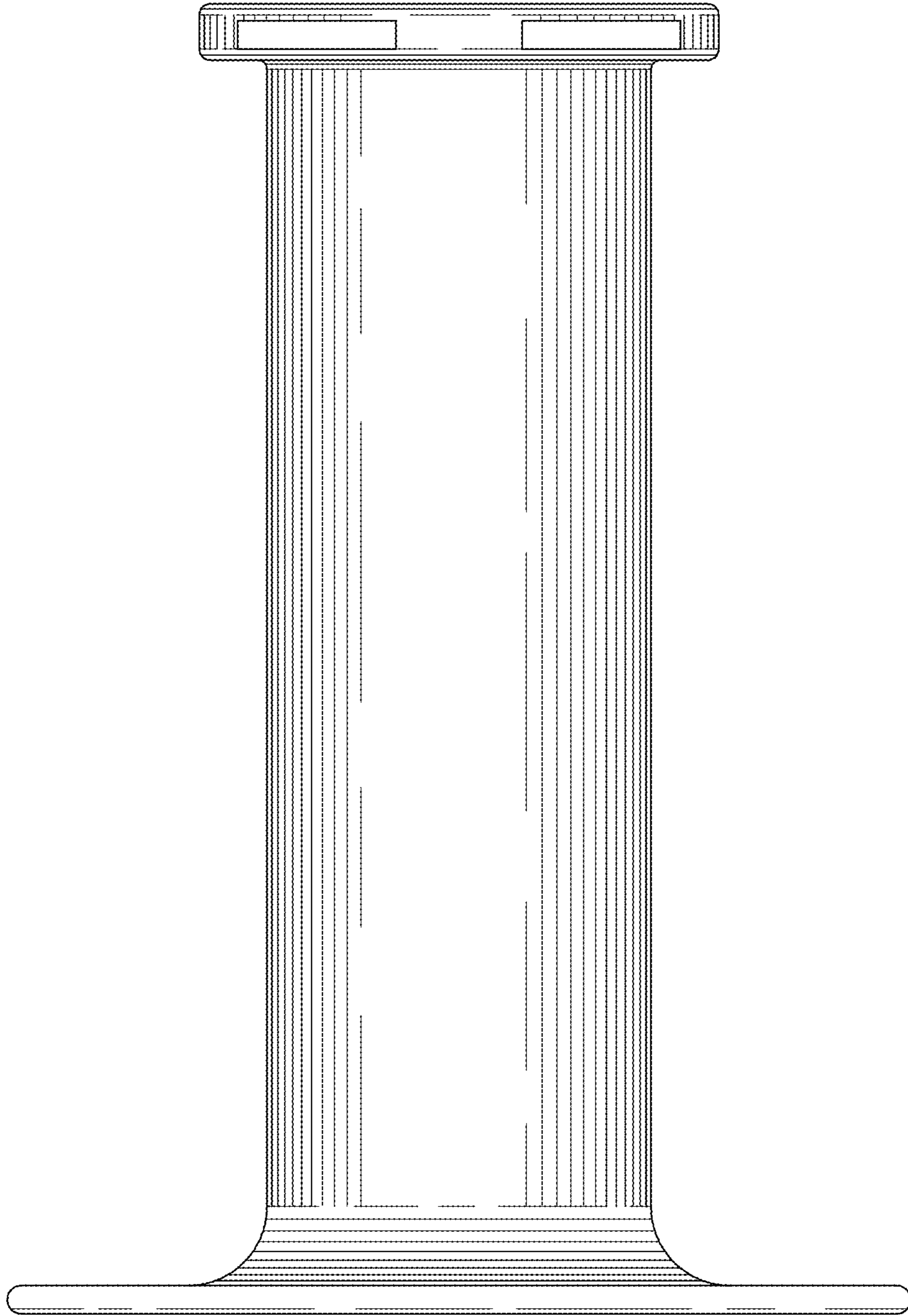


FIG. 4

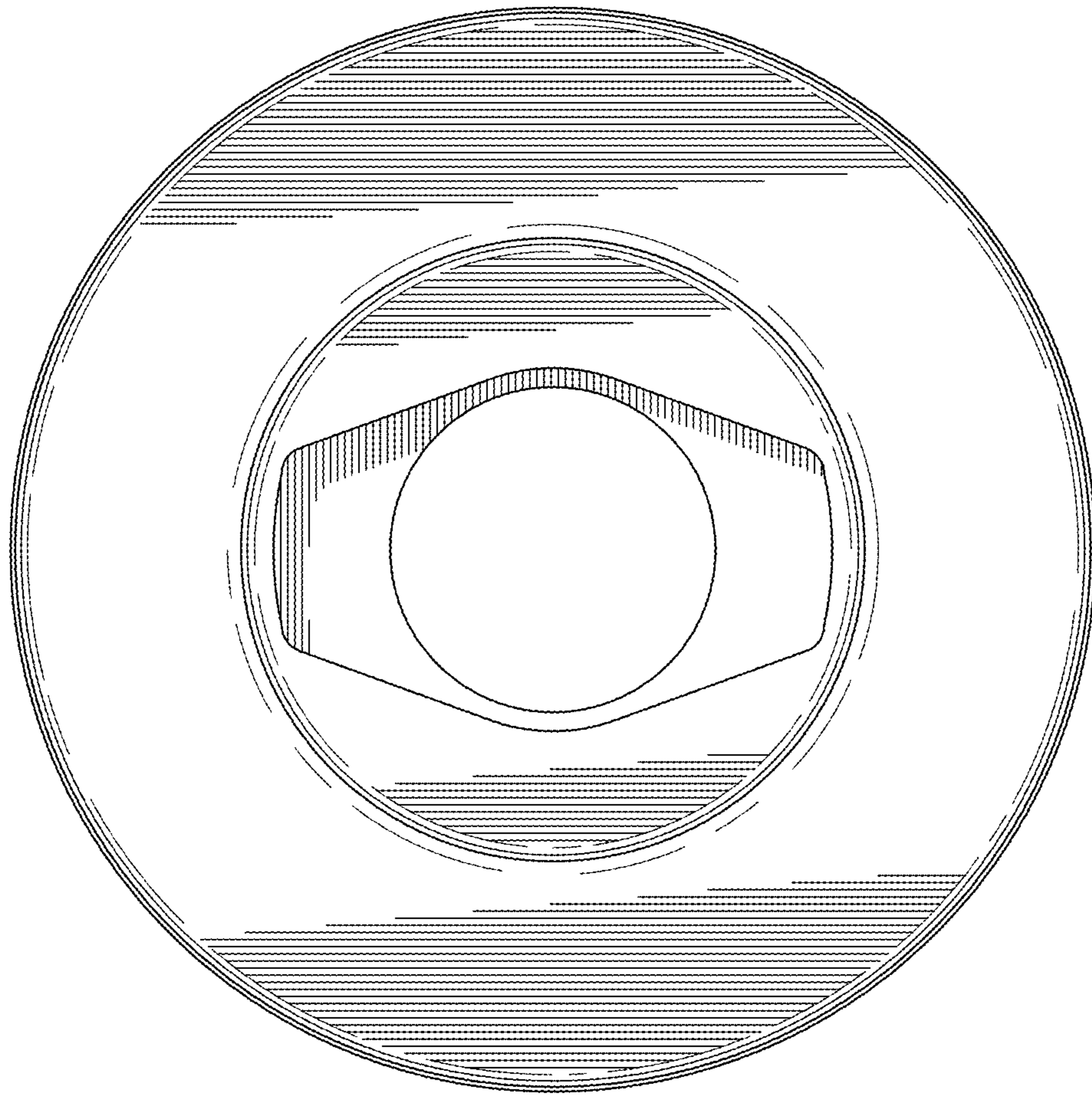


FIG. 5

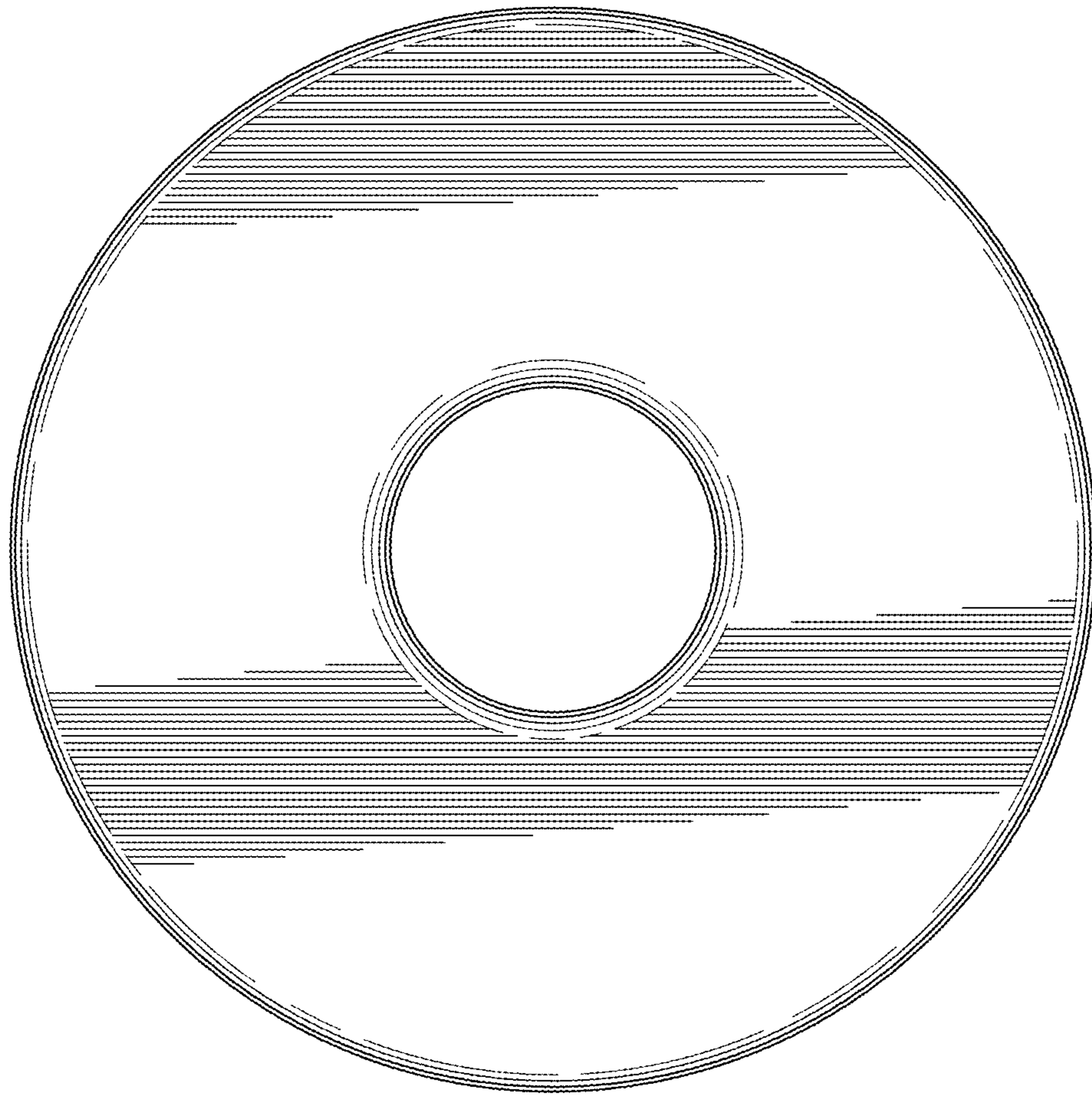


FIG. 6

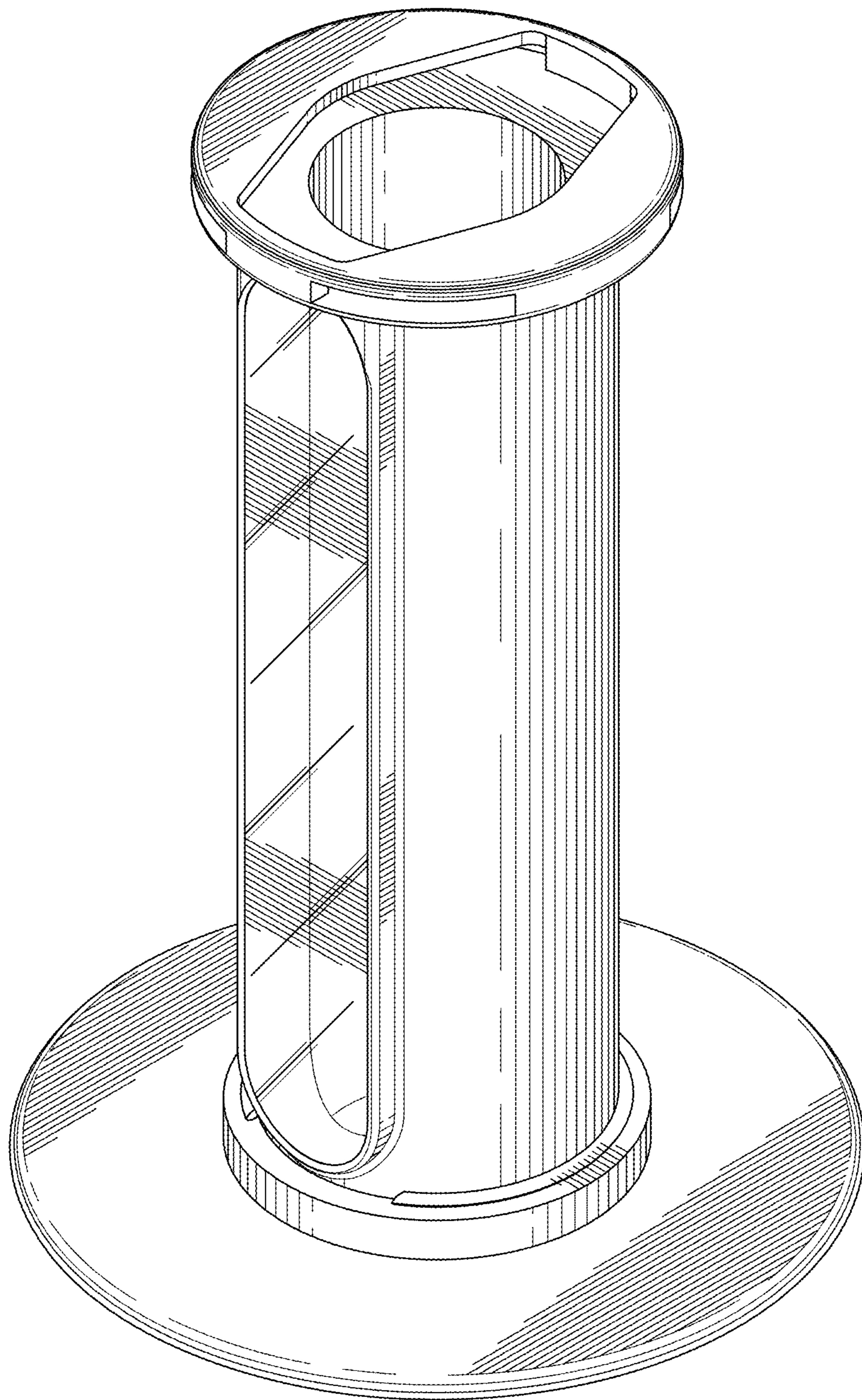


FIG. 7

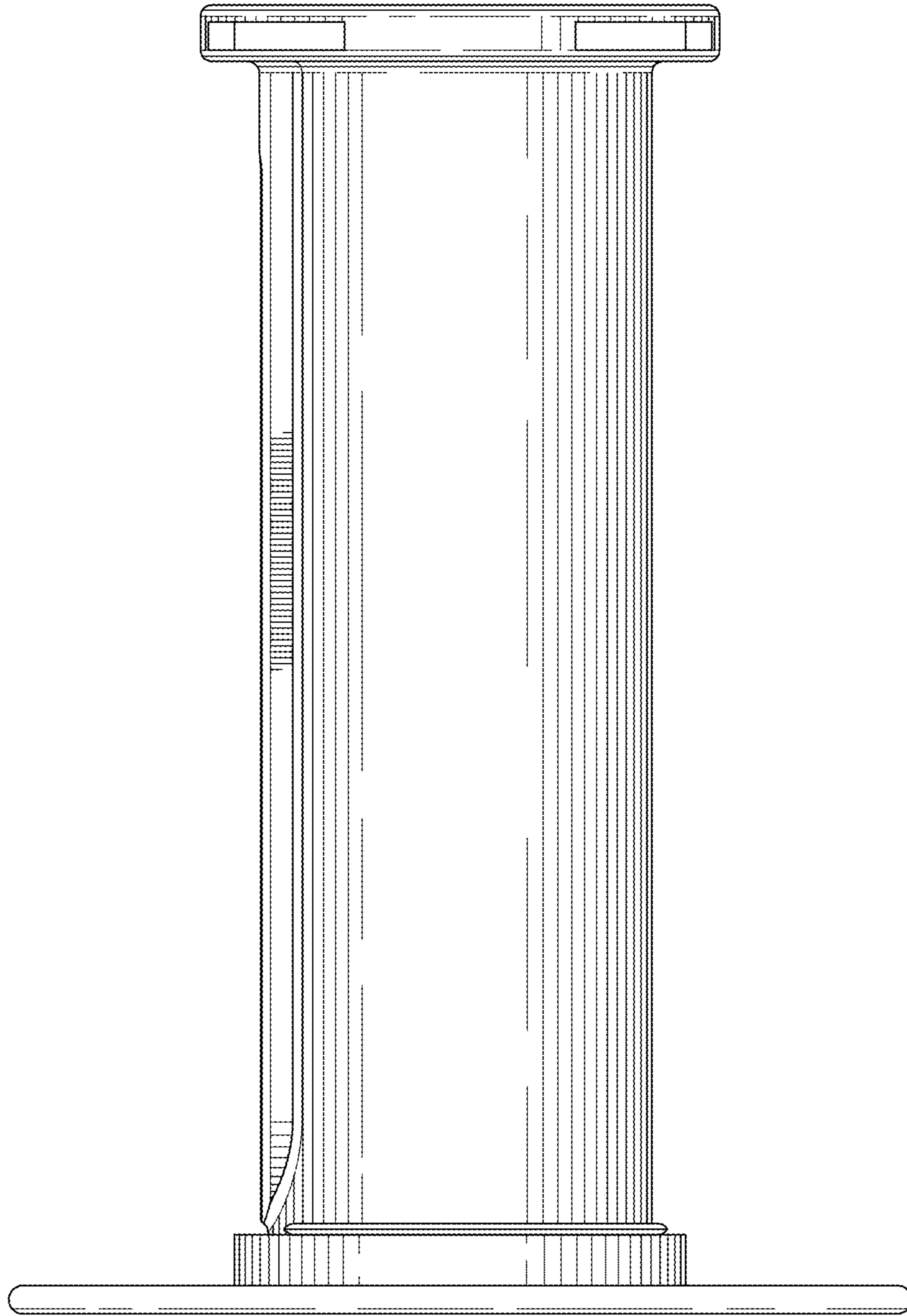


FIG. 8

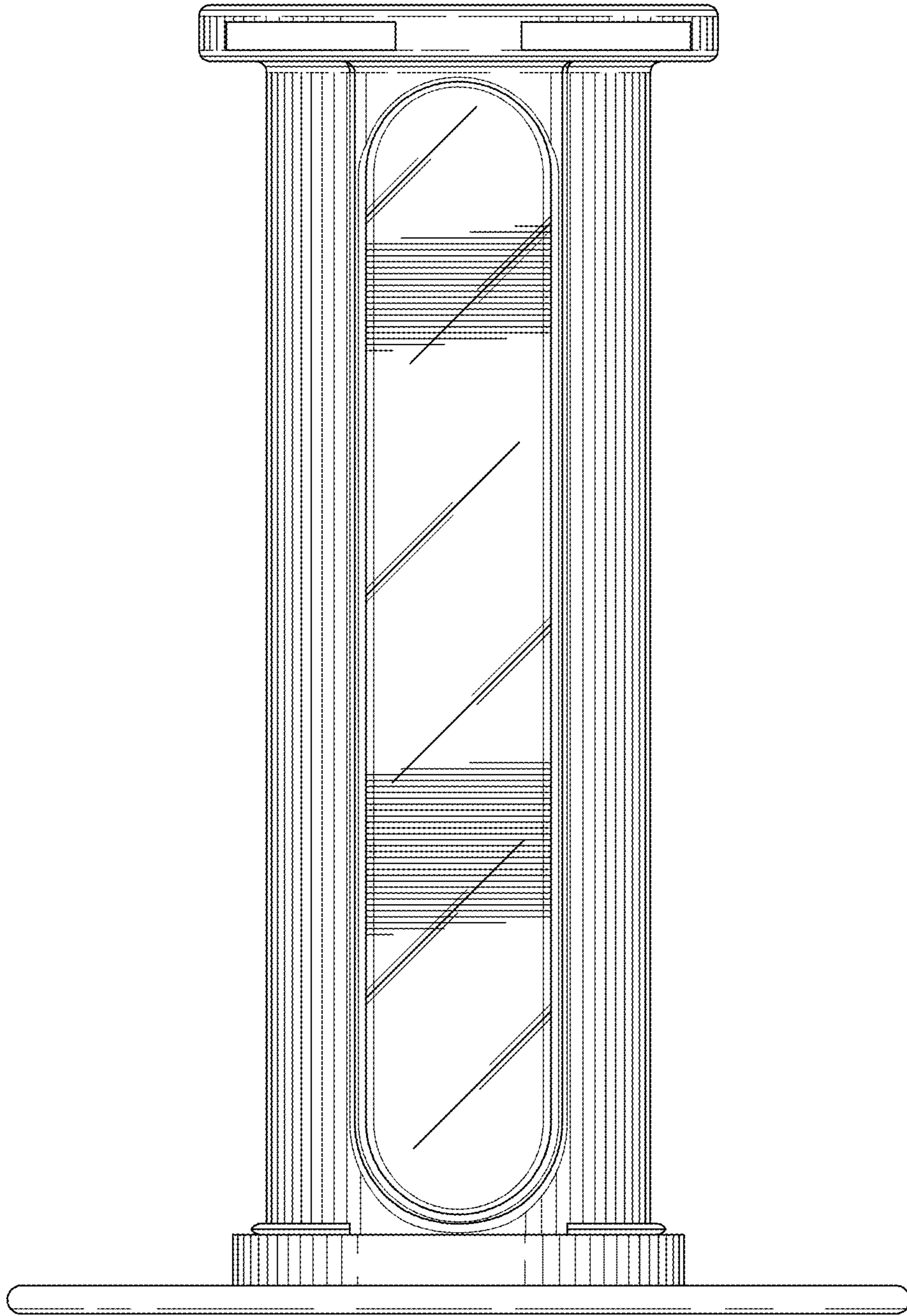


FIG. 9

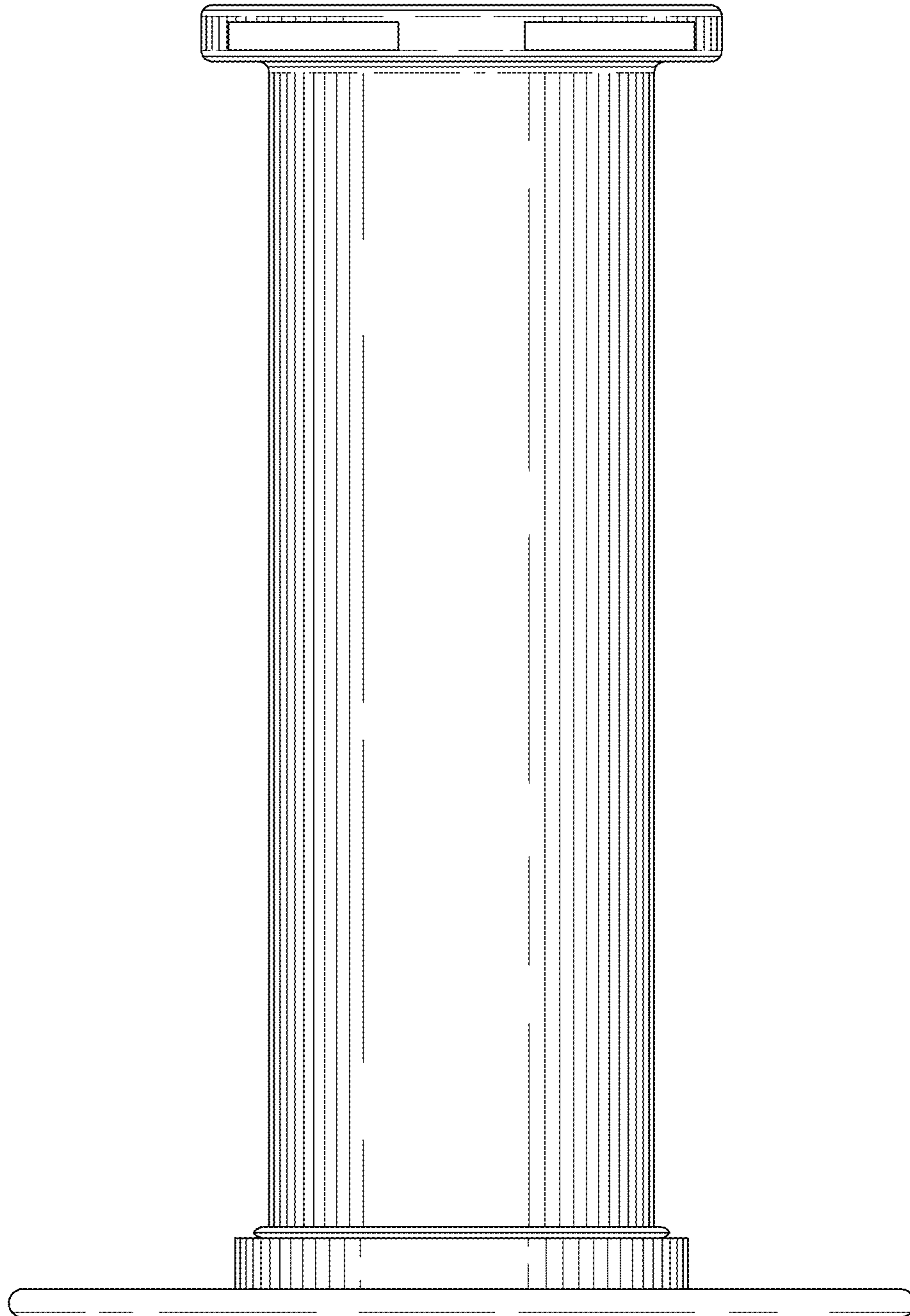


FIG. 10

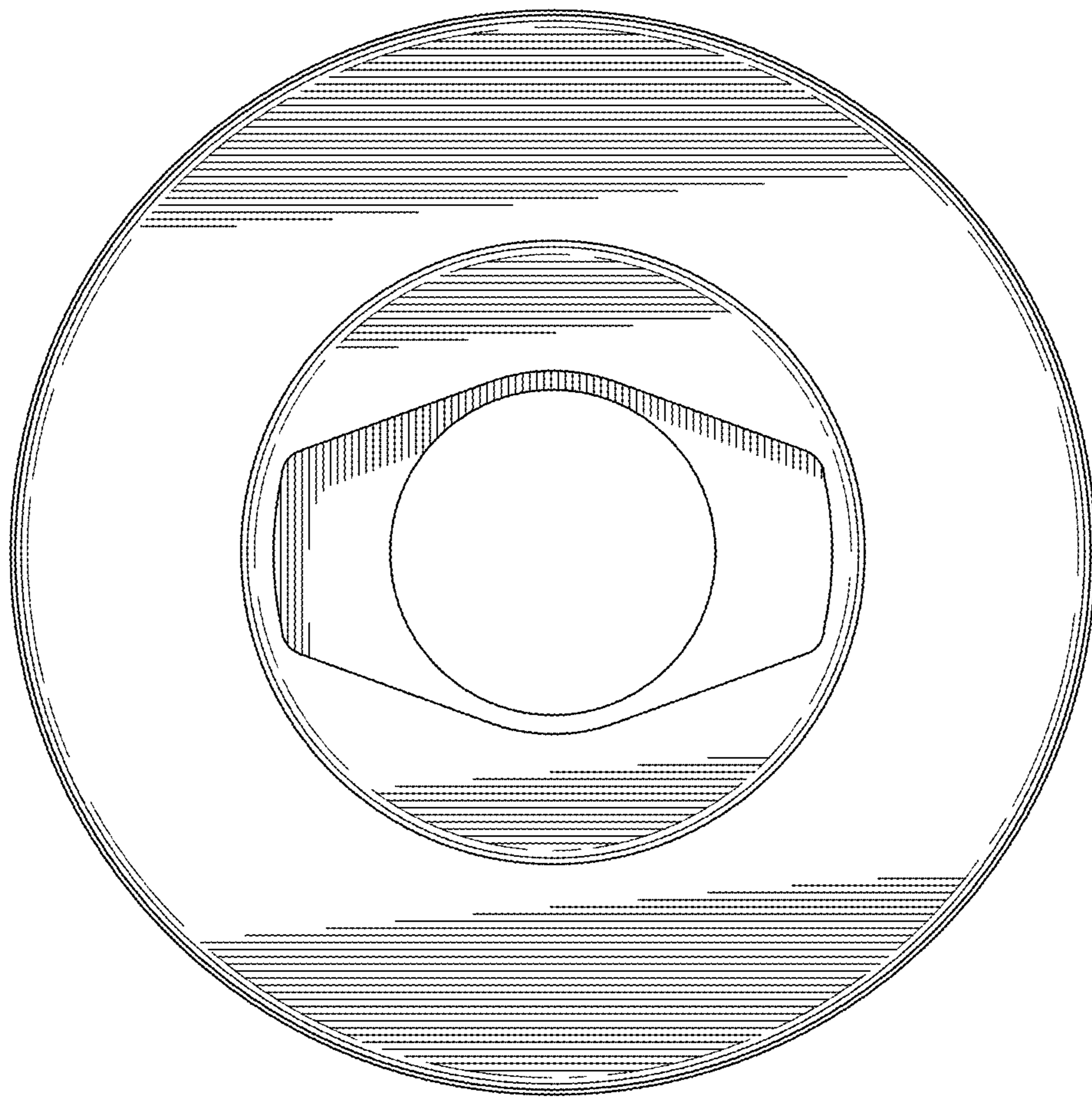


FIG. 11

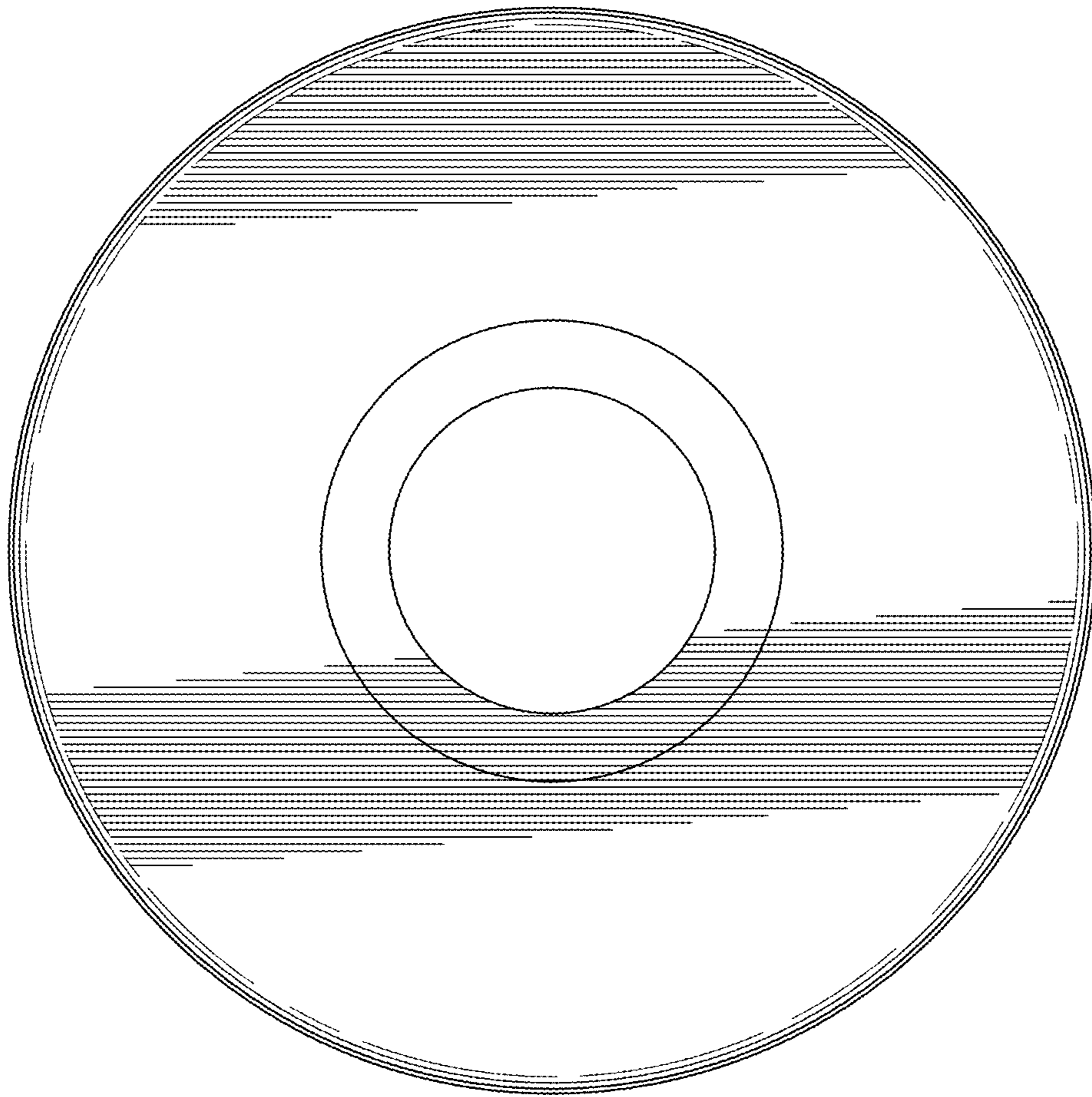


FIG. 12

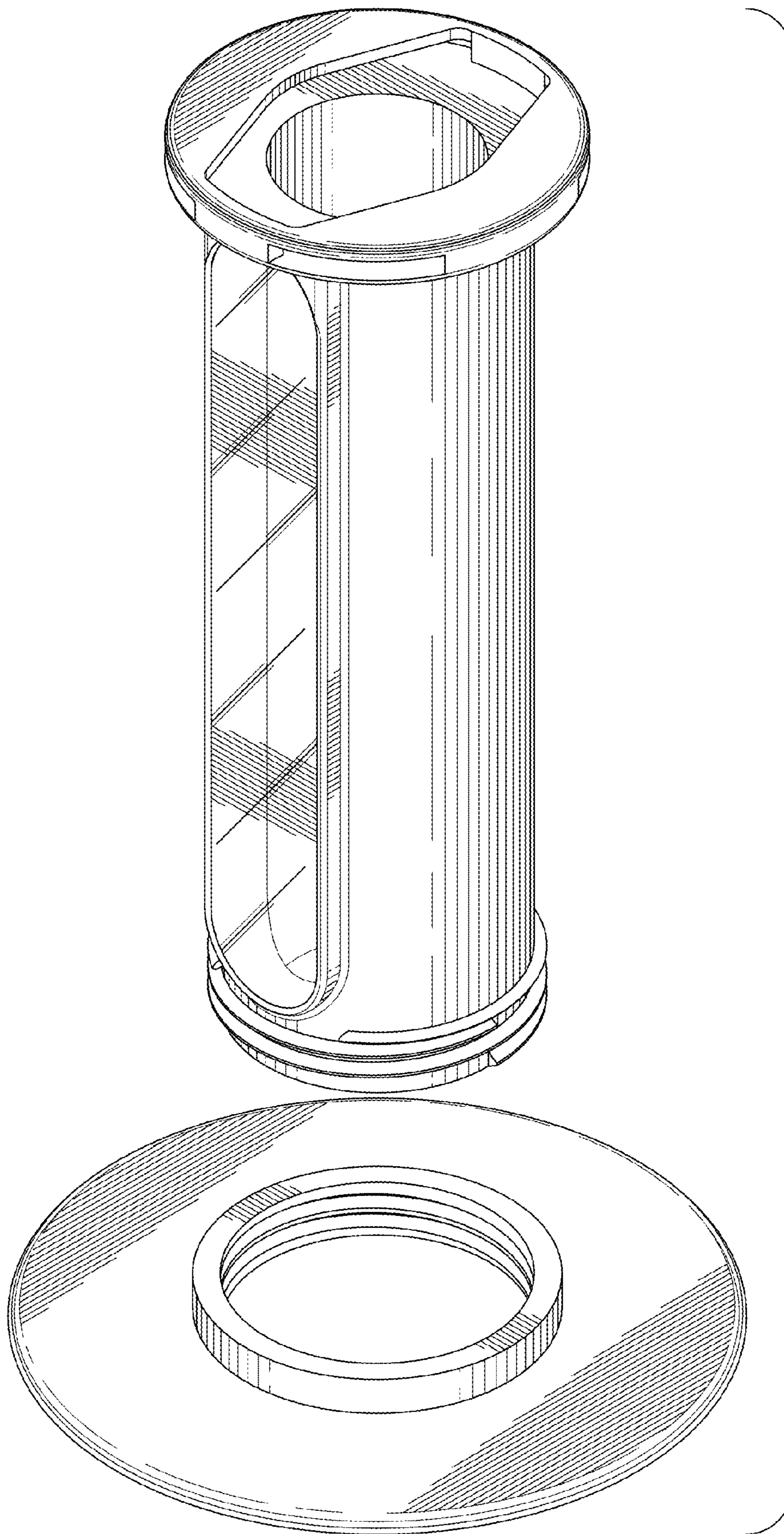


FIG. 13