



US00D934418S

(12) **United States Design Patent** (10) **Patent No.:** **US D934,418 S**  
**Gertsenchtein** (45) **Date of Patent:** **\*\* Oct. 26, 2021**

(54) **SHIELDING SYRINGE HOLDER**  
(71) Applicant: **JUBILANT DRAXIMAGE INC.**,  
Kirkland (CA)  
(72) Inventor: **Michael Gertsenchtein**, Kanata (CA)  
(73) Assignee: **JUBILANT DRAXIMAGE INC.**  
(\*\*) Term: **15 Years**  
(21) Appl. No.: **29/725,827**  
(22) Filed: **Feb. 27, 2020**  
(51) **LOC (13) Cl.** ..... **24-02**  
(52) **U.S. Cl.**  
USPC ..... **D24/130; D24/112**  
(58) **Field of Classification Search**  
USPC ..... **D24/127-130, 112, 108**  
CPC ..... **G21F 5/00; A61N 5/1002; A61M 5/1785;**  
**A61M 2205/6081**  
See application file for complete search history.

2008/0086092 A1\* 4/2008 Loe ..... A61M 5/1785  
604/198  
2008/0210890 A1\* 9/2008 Fago ..... G21F 5/018  
250/506.1  
2013/0317277 A1\* 11/2013 Lemer ..... A61N 5/1002  
600/5

**OTHER PUBLICATIONS**

Pro-Tec II Syringe Shield, Alimed.com,[First posted Jul. 2, 2013],  
[Site visited Aug. 17, 2021], Seen at URL: <https://www.alimed.com/pro-tec-ii-syringe-shields.html> (Year: 2013).\*  
60 ml Syringe Shield, Pinestar Technology, [Post date unknown],  
[Site visited Aug. 17, 2021] Seen at URL: <https://www.pinestar.com/products/detail/VZISXRFWwJIUsR2MOdFdXJ1aKVVB1TP?dept===AUVZ0RW5GaKJFbaNVTWJVU&cat===AUUJkcURIQ...2/5> (Year: 2021).\*

\* cited by examiner

*Primary Examiner* — Natasha Vujcic  
*Assistant Examiner* — Gilbert B Ford  
(74) *Attorney, Agent, or Firm* — Lavery, De Billy, LLP;  
Gonzalo Lavin

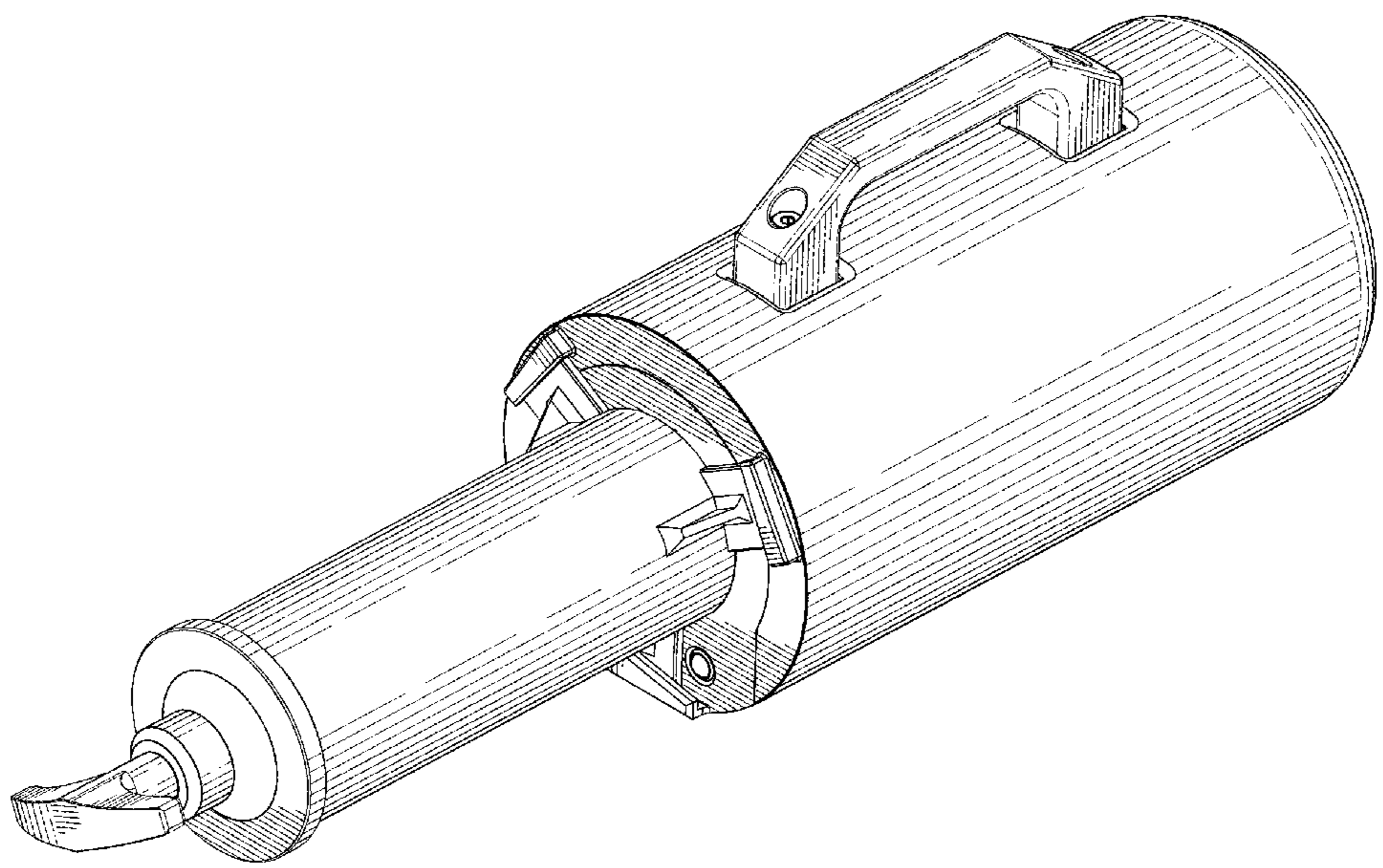
(56) **References Cited**  
**U.S. PATENT DOCUMENTS**  
4,060,073 A \* 11/1977 Collica ..... A61M 5/1785  
600/5  
D248,491 S \* 7/1978 Reiss ..... 604/187  
5,405,332 A \* 4/1995 Opalek ..... A61M 5/3216  
604/192  
D363,542 S \* 10/1995 Parris ..... D24/112  
D376,646 S \* 12/1996 Vallelunga ..... D24/112  
D462,761 S \* 9/2002 Swenson ..... D24/108  
D462,762 S \* 9/2002 Swenson ..... D24/129  
D462,763 S \* 9/2002 Swenson ..... D24/130  
D462,764 S \* 9/2002 Swenson ..... D24/129  
D567,942 S \* 4/2008 Wong ..... D24/129  
D640,787 S \* 6/2011 Chia ..... D24/130  
D851,244 S \* 6/2019 Norton ..... D24/130  
D851,759 S \* 6/2019 Jones ..... D24/129  
2006/0063960 A1\* 3/2006 Wissman ..... G21G 4/08  
600/7

(57) **CLAIM**  
The ornamental design for a shielding syringe holder, as shown and described.

**DESCRIPTION**

FIG. 1 is a perspective front view of a shielding syringe holder showing my new design;  
FIG. 2 is a left view thereof;  
FIG. 3 is a right view thereof;  
FIG. 4 is a front plan view thereof;  
FIG. 5 is a rear plan view thereof;  
FIG. 6 is a top view thereof; and,  
FIG. 7 is a bottom view thereof.

**1 Claim, 6 Drawing Sheets**



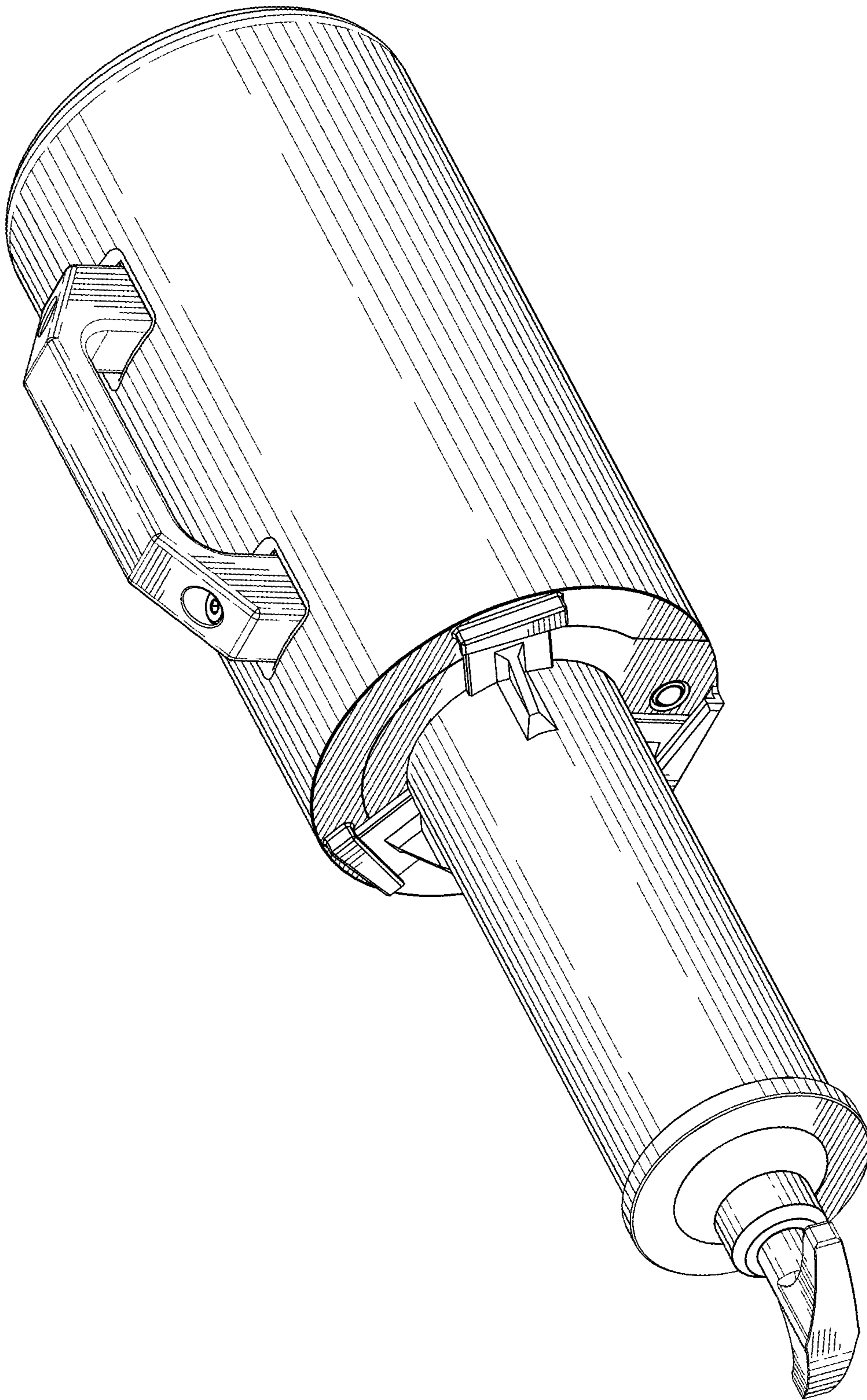


FIG. 1

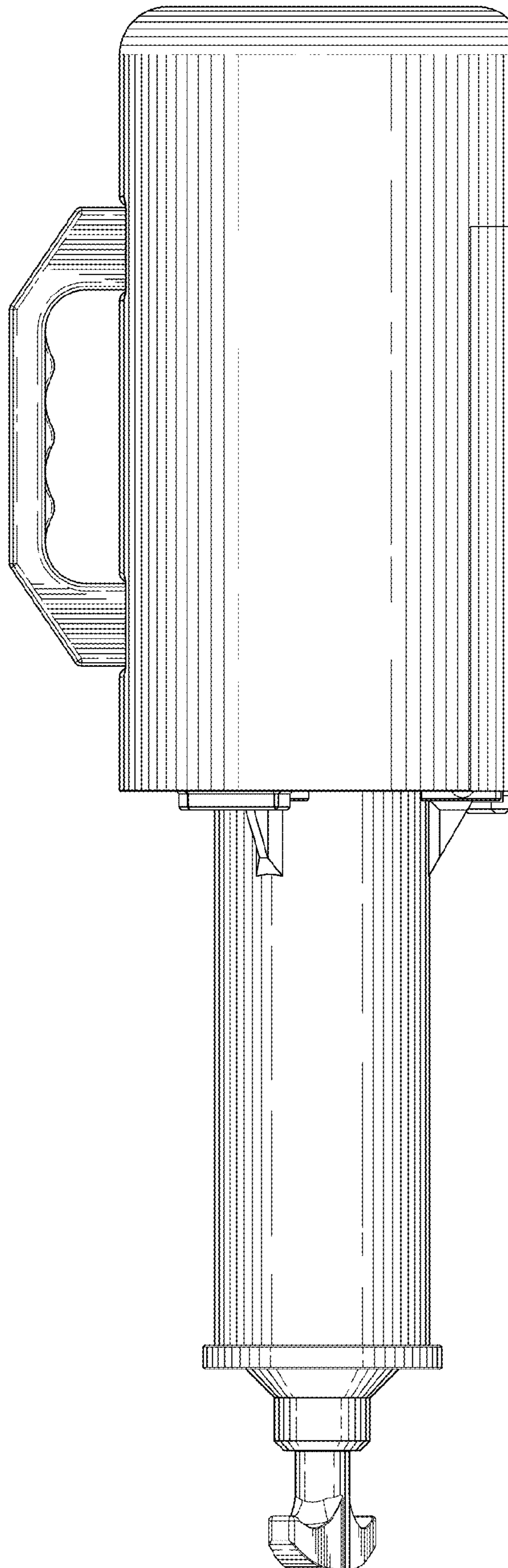


FIG. 2

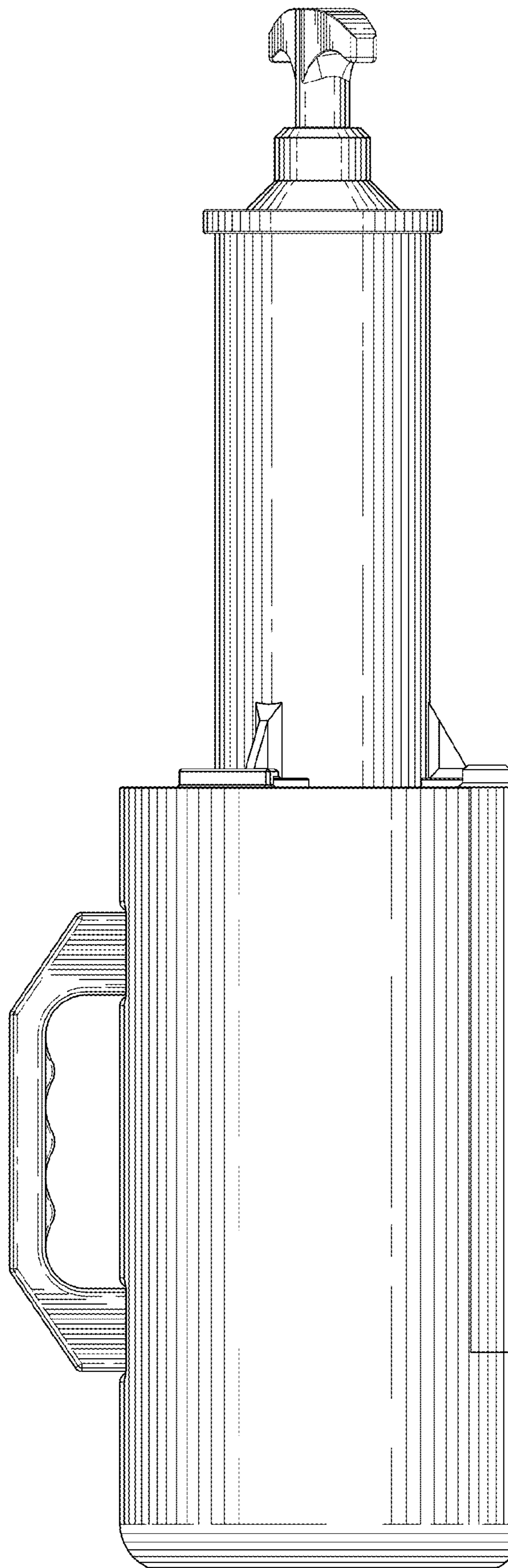


FIG. 3

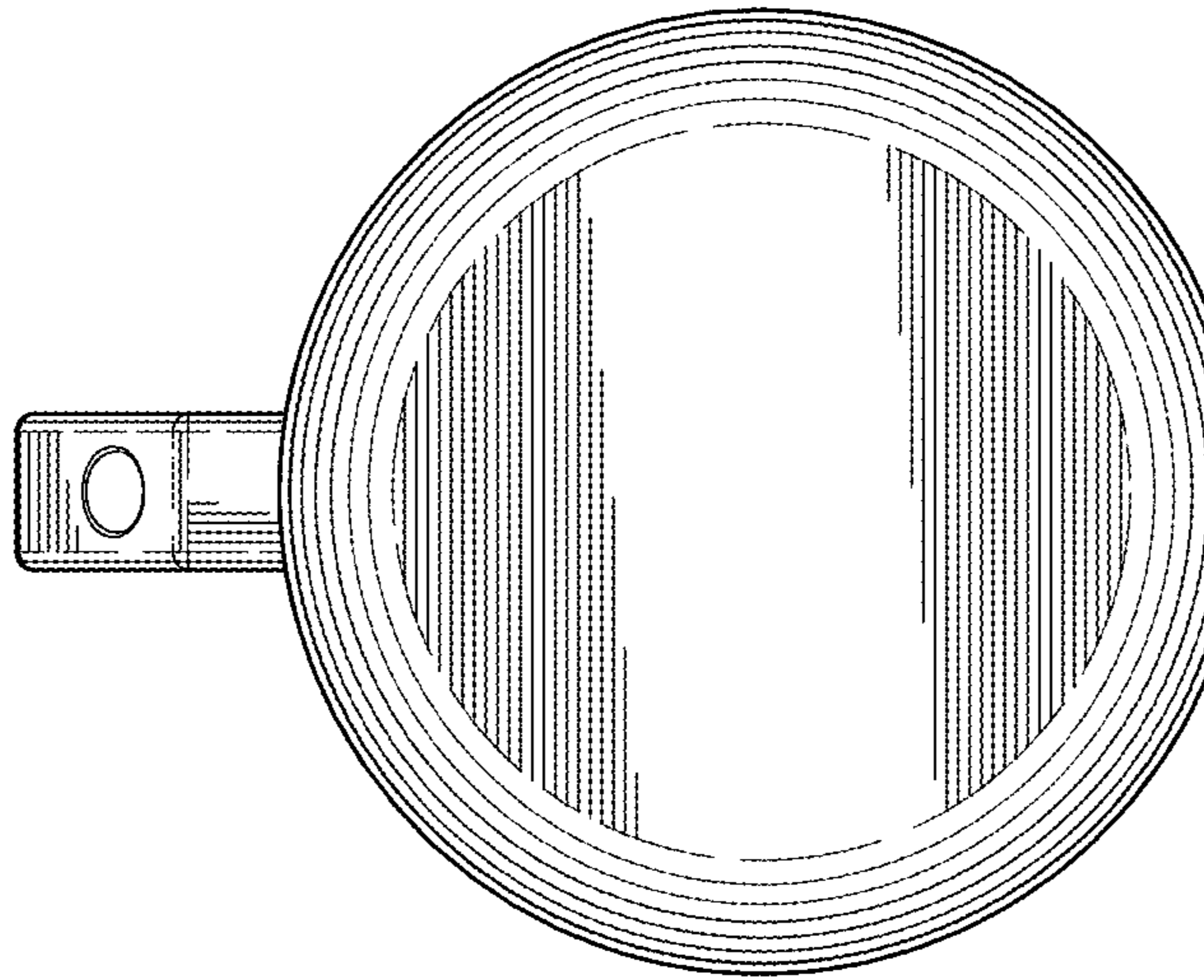


FIG. 5

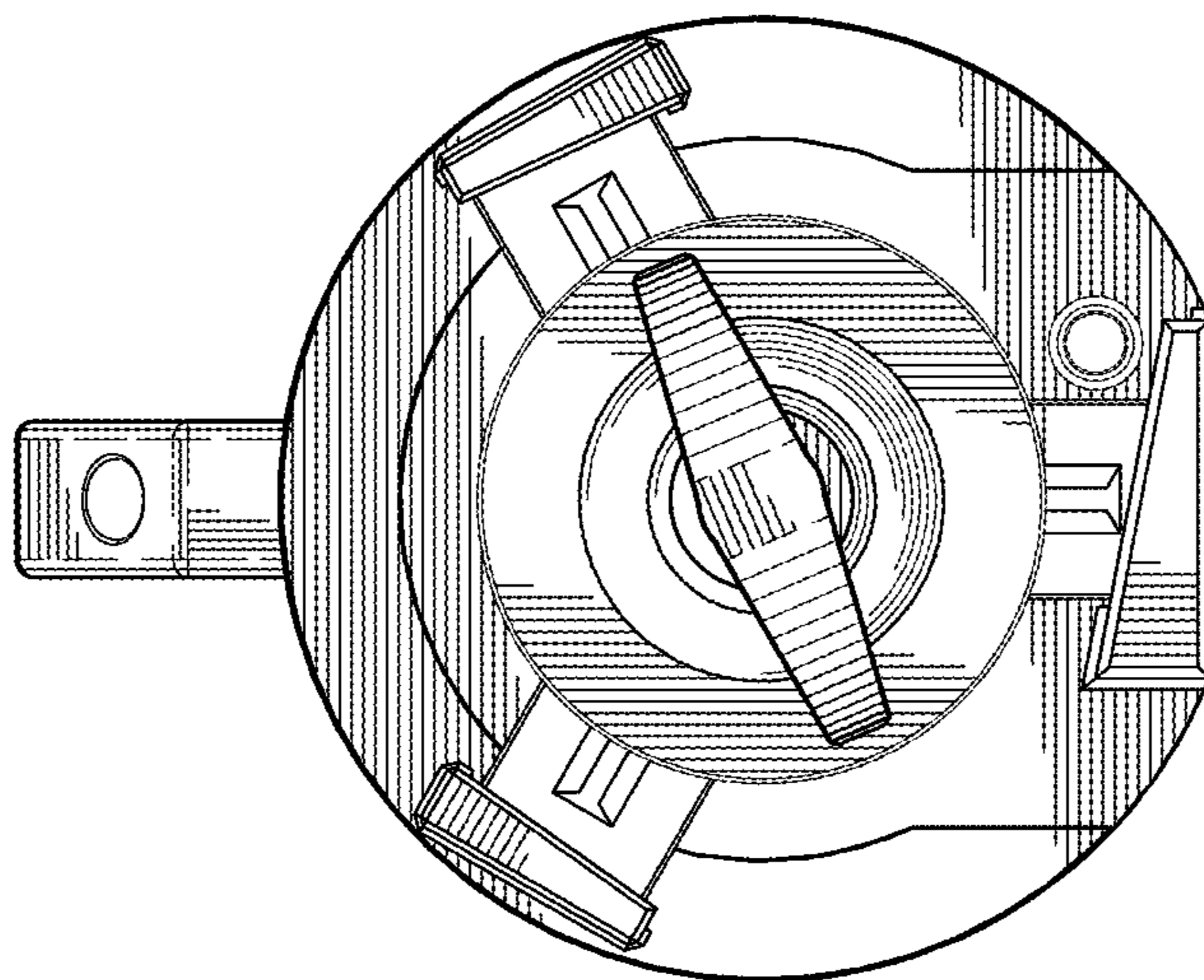


FIG. 4

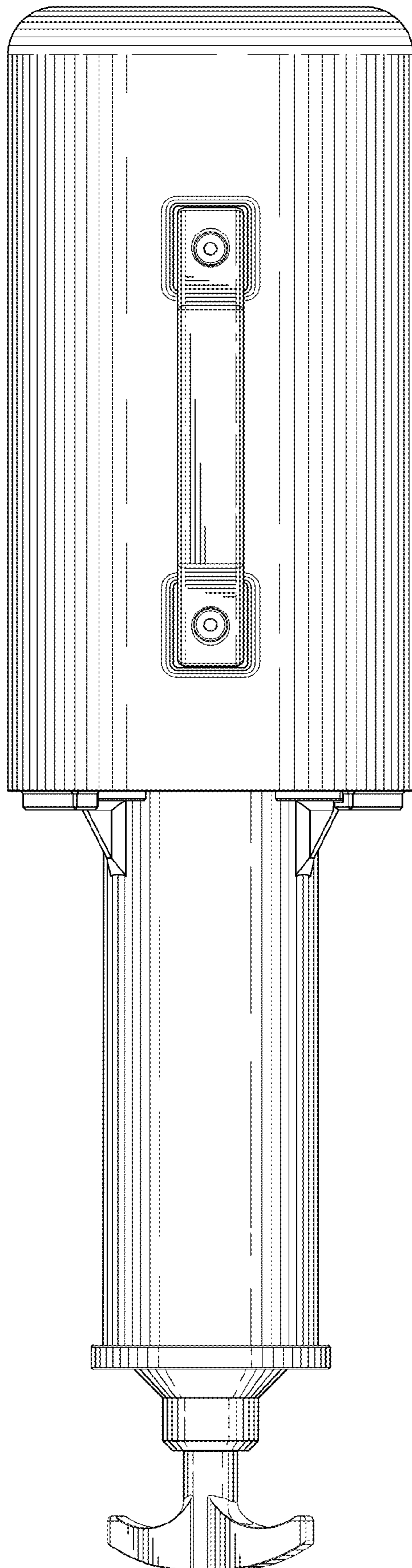


FIG. 5

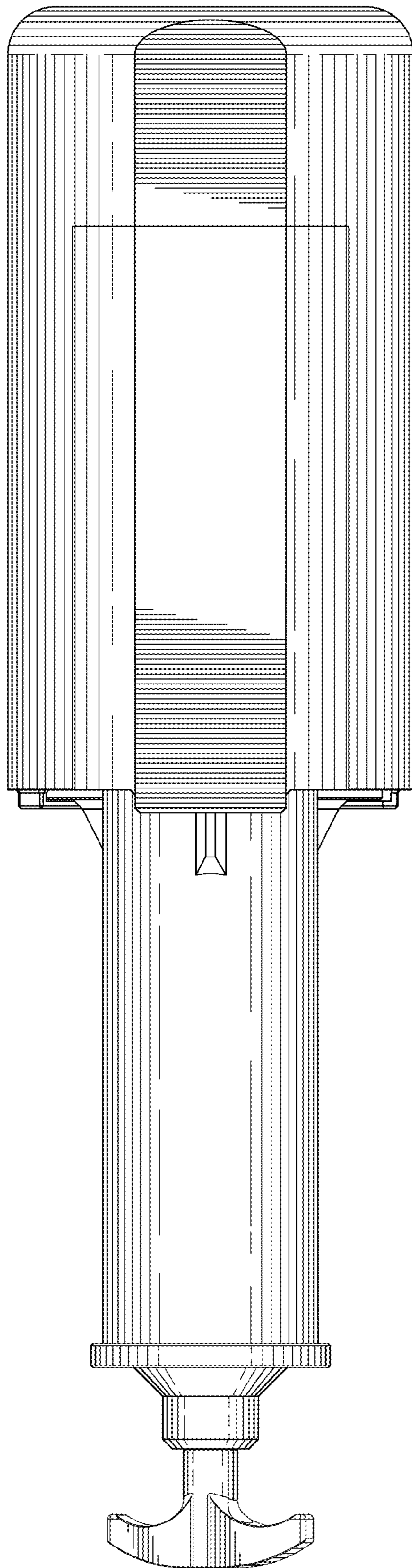


FIG. 7