



US00D934415S

(12) **United States Design Patent**  
**Igwebuike et al.**

(10) **Patent No.:** **US D934,415 S**  
(45) **Date of Patent:** **\*\* Oct. 26, 2021**

(54) **COLD SORE PATCH APPLICATOR**

(71) Applicant: **Coloplast A/S**, Humlebaek (DK)  
(72) Inventors: **Henning Igwebuike**, Lyngge (DK);  
**Boerge Gundersen**, Tikoeb (DK)

(73) Assignee: **Coloplast A/S**, Humlebaek (DK)

(\*\*) Term: **15 Years**

(21) Appl. No.: **29/689,931**

(22) Filed: **May 3, 2019**

(51) **LOC (13) Cl.** ..... **24-02**

(52) **U.S. Cl.**  
USPC ..... **D24/119**

(58) **Field of Classification Search**

USPC ..... D24/122, 124, 126, 188-192, 199, 200,  
D24/206, 212-215, 128, 134, 119, 129,  
D24/130, 131, 133, 112-114; D23/310;  
D29/100, 101.1; D19/1  
CPC ..... A61F 5/453; A61F 5/455; A61F 5/4556;  
A61F 5/4405; A61F 2005/4402; A61F  
13/471; A61F 13/069; A61F 13/30; A61F  
13/0203; A61F 13/0246; A61F 13/0223;  
A61F 13/0276; A61F 13/022; A61F  
13/0206; A61F 2013/00748; A61F  
2013/00604; A61F 2013/00846; A61F  
2013/00578; A61F 2013/00804; A61F  
2013/00885; A61F 2013/53445; A61F  
2013/51078; A61F 2/958; A61M 1/0088;  
A61M 1/0031; A61M 1/0092; A61M  
1/0023; A61M 27/00; A61M 25/00;  
A61M 25/0043; A61M 25/0067; A61M  
25/0097;

(Continued)

(56) **References Cited**

**U.S. PATENT DOCUMENTS**

3,018,881 A 1/1962 Wall  
3,162,306 A 12/1964 Zackheim

(Continued)

**FOREIGN PATENT DOCUMENTS**

DE 19916523 A1 6/2000  
EP 0832627 A2 4/1998  
EP 0765741 B1 6/2006

**OTHER PUBLICATIONS**

Compeed Cold Sore Discreet Healing Patch, [site visited Jun. 16, 2021], Available from Internet. URL: <https://www.compeed.com.au/product/discreet-cold-sore-patch/> (Year: 2021).\*

*Primary Examiner* — T Chase Nelson

*Assistant Examiner* — Kelly L Gross

(74) *Attorney, Agent, or Firm* — Coloplast Corp.,  
Coloplast A/S; Nick Baumann

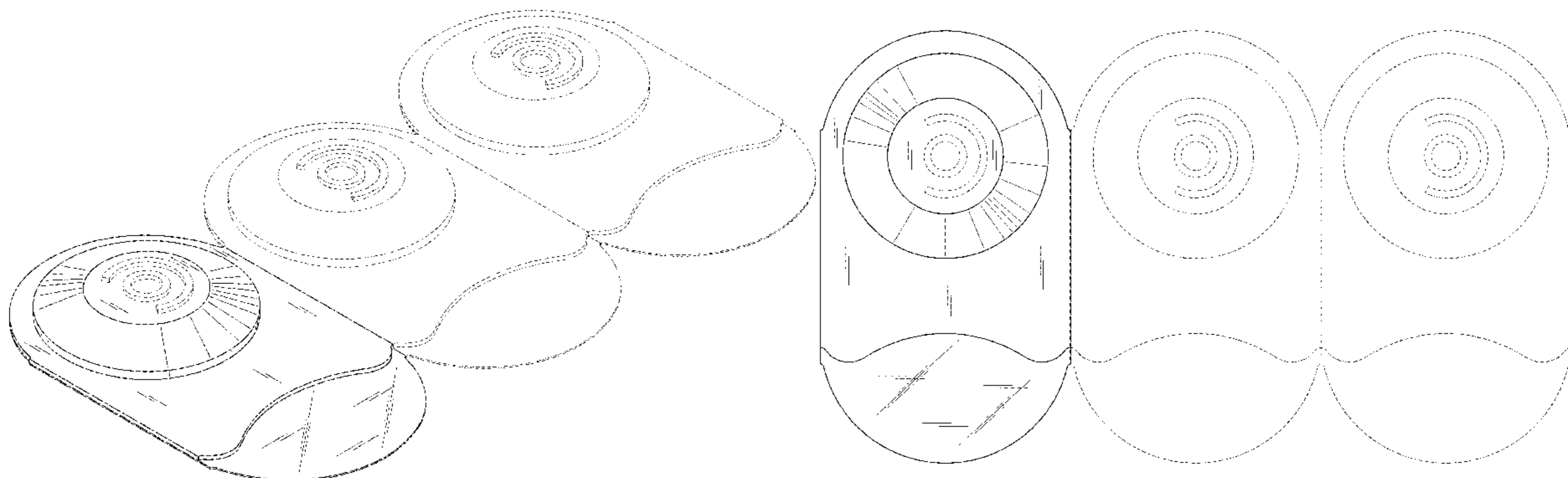
(57) **CLAIM**

The ornamental design for a cold sore patch applicator, as shown and described.

**DESCRIPTION**

FIG. 1 is a perspective view of a cold sore patch applicator. FIG. 2 is a front elevational view of the cold sore patch applicator. FIG. 3 is a back elevational view of the cold sore patch applicator. FIG. 4 is a bottom side view of the cold sore patch applicator. FIG. 5 is a top side view of the cold sore patch applicator. FIG. 6 is a left side view of the cold sore patch applicator; and, FIG. 7 is a right side view of the cold sore patch applicator. The broken lines are directed to environment and are for illustrative purposes only. The broken lines form no part of the claimed design.

**1 Claim, 7 Drawing Sheets**



(58) Field of Classification Search

CPC ..... A61M 39/00; A61L 15/26; A61L 15/58;  
A61L 15/60; A61L 15/425

See application file for complete search history.

(56) References Cited

U.S. PATENT DOCUMENTS

3,342,183 A \* 9/1967 Edenbaum ..... A61F 13/0206  
604/307

6,029,808 A 2/2000 Peck et al.  
D480,811 S \* 10/2003 Horhota ..... D24/189  
D492,416 S \* 6/2004 Horhota ..... D24/189  
D496,790 S 10/2004 Dzwil et al.  
D501,559 S \* 2/2005 Shaw ..... D24/189  
D501,926 S \* 2/2005 Shaw ..... D24/189  
7,135,606 B1 \* 11/2006 Dozier ..... A61F 13/0203  
602/57

D537,947 S \* 3/2007 Miyachika ..... D24/189  
D569,974 S \* 5/2008 Perry ..... D24/146  
D571,003 S \* 6/2008 Knuth ..... D24/124  
D578,651 S \* 10/2008 Dunshee ..... D24/189  
D604,423 S \* 11/2009 Dunshee ..... D24/189  
D616,091 S \* 5/2010 Kyvik ..... D24/128  
D616,542 S \* 5/2010 Kyvik ..... D24/128  
D619,245 S \* 7/2010 Moga ..... D24/113  
D620,123 S \* 7/2010 Igwebuike ..... D24/189  
D623,740 S \* 9/2010 Harris ..... D24/133  
D628,705 S \* 12/2010 Usui ..... D24/206  
D628,706 S \* 12/2010 Usui ..... D24/206  
D638,534 S \* 5/2011 Moga ..... D24/113  
D665,942 S \* 8/2012 Rossignol ..... D28/7  
D679,402 S \* 4/2013 Conrad-Vlasak ..... D24/189  
D679,403 S \* 4/2013 Heinecke ..... D24/189  
D679,820 S \* 4/2013 Peron ..... D24/189  
D683,020 S \* 5/2013 Boutte ..... D24/158  
D685,086 S \* 6/2013 Lutz ..... D24/124  
D687,555 S \* 8/2013 Peterson ..... D24/189  
D688,377 S \* 8/2013 Heinecke ..... D24/189  
D690,425 S \* 9/2013 Heinecke ..... D24/189  
D693,010 S \* 11/2013 Mosa ..... D24/189  
D695,901 S \* 12/2013 Heinecke ..... D24/189  
D702,563 S \* 4/2014 Hartman ..... D9/723  
D706,644 S \* 6/2014 Ruiz, Sr. .... D9/723  
D714,997 S \* 10/2014 Kim ..... A45D 44/002  
D28/7

D717,946 S \* 11/2014 Kyvik ..... D24/128  
D723,177 S \* 2/2015 Igwebuike ..... D24/189  
D723,703 S \* 3/2015 Igwebuike ..... D24/189  
D723,704 S \* 3/2015 Igwebuike ..... D24/189  
D725,485 S \* 3/2015 Hartman ..... D9/723  
D725,486 S \* 3/2015 Hartman ..... D9/723  
D729,391 S \* 5/2015 Igwebuike ..... D24/189  
D729,392 S \* 5/2015 Igwebuike ..... D24/189  
D737,453 S \* 8/2015 Gergely ..... D24/189  
D743,564 S \* 11/2015 Wathne ..... D24/189  
D745,973 S \* 12/2015 Russo ..... D24/189  
RE45,864 E \* 1/2016 Peron ..... D24/184  
D746,993 S \* 1/2016 Lewis, Jr. .... D24/187  
D746,994 S \* 1/2016 Lewis, Jr. .... D24/187  
D746,996 S \* 1/2016 Karlsson ..... D24/189  
D747,455 S \* 1/2016 Uematsu ..... D24/100  
D748,276 S \* 1/2016 Bergstrom ..... D24/189  
D754,332 S \* 4/2016 Fahl ..... D24/118  
D755,962 S \* 5/2016 Adams ..... D24/128  
D755,980 S \* 5/2016 Jakobsen ..... D24/189  
D757,950 S \* 5/2016 Karlsson ..... D24/189  
D758,572 S \* 6/2016 Rodewald ..... D24/121  
D759,828 S \* 6/2016 Riedle ..... D24/189  
D773,059 S \* 11/2016 Kanchagar ..... D24/189  
D773,060 S \* 11/2016 Narvekar ..... D24/189  
D774,200 S \* 12/2016 Kanchagar ..... D24/189  
D774,201 S \* 12/2016 Gutierrez ..... D24/189  
D777,934 S \* 1/2017 Hahn ..... D24/189  
9,566,417 B1 \* 2/2017 Propp ..... A61L 29/16  
D785,189 S \* 4/2017 Dettmar ..... A61F 13/00068  
D24/189

D787,688 S \* 5/2017 Stephenson ..... D24/189  
D787,689 S \* 5/2017 Roberts ..... D24/189  
D790,071 S \* 6/2017 Ahsani ..... D24/189  
D790,714 S \* 6/2017 Addison ..... D24/189  
D797,280 S \* 9/2017 Kyvik ..... D24/128  
D798,462 S \* 9/2017 Sengelmann ..... A61F 13/0203  
D24/189

D799,051 S \* 10/2017 Maki ..... D24/189  
D804,678 S \* 12/2017 Ramires ..... D24/189  
D805,208 S \* 12/2017 Komatani ..... D24/189  
D805,631 S \* 12/2017 Hwang ..... D24/112  
D808,024 S \* 1/2018 Moore ..... D24/189  
D808,025 S \* 1/2018 Moore ..... D24/189  
D808,026 S \* 1/2018 Moore ..... D24/189  
D813,380 S \* 3/2018 Stonecipher ..... D24/113  
D816,833 S \* 5/2018 Parkhurst ..... D24/128  
D821,571 S \* 6/2018 Stonecipher ..... D24/112  
D821,589 S \* 6/2018 Sakotic ..... A61F 13/00085  
D24/189

D822,197 S \* 7/2018 Stonecipher ..... D24/112  
D824,514 S \* 7/2018 Kyvik ..... D24/128  
D826,396 S \* 8/2018 Stonecipher ..... D24/112  
D829,326 S \* 9/2018 Youngblood ..... D24/142  
RE47,100 E \* 10/2018 Smith ..... D24/189  
D834,201 S \* 11/2018 Heinecke ..... D24/189  
D838,841 S \* 1/2019 Johnson ..... D24/112  
D840,024 S \* 2/2019 Stonecipher ..... D24/112  
D840,544 S \* 2/2019 Ostan ..... D24/189  
D844,132 S \* 3/2019 Johnson ..... D24/130  
D848,004 S \* 5/2019 Del Rossi ..... D24/189  
D848,614 S \* 5/2019 Wilson ..... D24/128  
D851,261 S \* 6/2019 Ricks ..... D24/189  
D852,368 S \* 6/2019 Ricks ..... D24/189  
D854,170 S \* 7/2019 Bergstrom ..... D24/189  
D855,191 S \* 7/2019 Hong ..... D24/186  
D859,533 S \* 9/2019 Landi, Jr. .... D21/398  
D863,562 S \* 10/2019 Hahn ..... D24/189  
D864,384 S \* 10/2019 Parkhurst ..... D24/128  
D866,769 S \* 11/2019 Yosef ..... D24/189  
D875,953 S \* 2/2020 Wang ..... D24/189  
D877,326 S \* 3/2020 Coleman ..... D24/128  
D877,892 S \* 3/2020 Stonecipher ..... D24/112  
D877,893 S \* 3/2020 Stonecipher ..... D24/112  
D878,550 S \* 3/2020 Stonecipher ..... D24/112  
D879,305 S \* 3/2020 Gu ..... D24/187  
D882,760 S \* 4/2020 Katz ..... D24/111  
D884,195 S \* 5/2020 Kazala ..... D24/189  
D884,906 S \* 5/2020 Rehbein ..... D24/189  
D888,255 S \* 6/2020 Kazala ..... D24/189

10,687,983 B2 \* 6/2020 Dahlberg ..... B32B 5/18  
D896,392 S \* 9/2020 Bergstrom ..... D24/189  
RE48,282 E \* 10/2020 Peron ..... D24/184  
D899,607 S \* 10/2020 Ryu ..... D24/189  
10,813,435 B2 \* 10/2020 Kranes ..... A45D 44/22  
D901,676 S \* 11/2020 Johnson ..... D24/112  
D901,698 S \* 11/2020 Dyer ..... D24/189  
D907,216 S \* 1/2021 Rehbein ..... D24/189  
D907,219 S \* 1/2021 Neri ..... D24/189  
D908,227 S \* 1/2021 ÅKerman ..... D24/189  
D908,863 S \* 1/2021 Kolenda ..... D24/111  
10,893,982 B2 \* 1/2021 Wieland ..... A61F 13/00068  
D914,887 S \* 3/2021 Allen ..... A61F 13/0266  
D24/189

D914,888 S \* 3/2021 Bergstrom ..... D24/189  
D916,297 S \* 4/2021 Rehbein ..... D24/189  
D921,205 S \* 6/2021 Borisov ..... D24/189  
D921,206 S \* 6/2021 Borisov ..... D24/189

2005/0251082 A1 11/2005 Del Bono  
2006/0269591 A1 11/2006 Hart  
2007/0173752 A1 7/2007 Schonfeldt  
2008/0039759 A1 \* 2/2008 Holm ..... A61F 13/0226  
602/41

2008/0274166 A1 \* 11/2008 Sacks ..... A61K 9/7084  
424/449

2008/0312574 A1 12/2008 Pernot  
2013/0012859 A1 1/2013 Krohn  
2013/0245582 A1 \* 9/2013 Croizat ..... A61F 13/00068  
604/319

2013/0317405 A1 11/2013 Ha et al.

(56)

**References Cited**

U.S. PATENT DOCUMENTS

2014/0243788 A1 8/2014 Cantor et al.  
2014/0303574 A1\* 10/2014 Knutson ..... A61K 31/34  
604/307  
2016/0015851 A1\* 1/2016 Chiou ..... A61L 15/585  
604/372  
2019/0083702 A1\* 3/2019 Nekouzadeh ..... A61M 5/20  
2019/0159938 A1\* 5/2019 Askem ..... A61M 1/962  
2019/0350873 A1\* 11/2019 Ramjit ..... A61F 13/0259  
2019/0358090 A1\* 11/2019 Auge ..... A61F 13/00085

\* cited by examiner

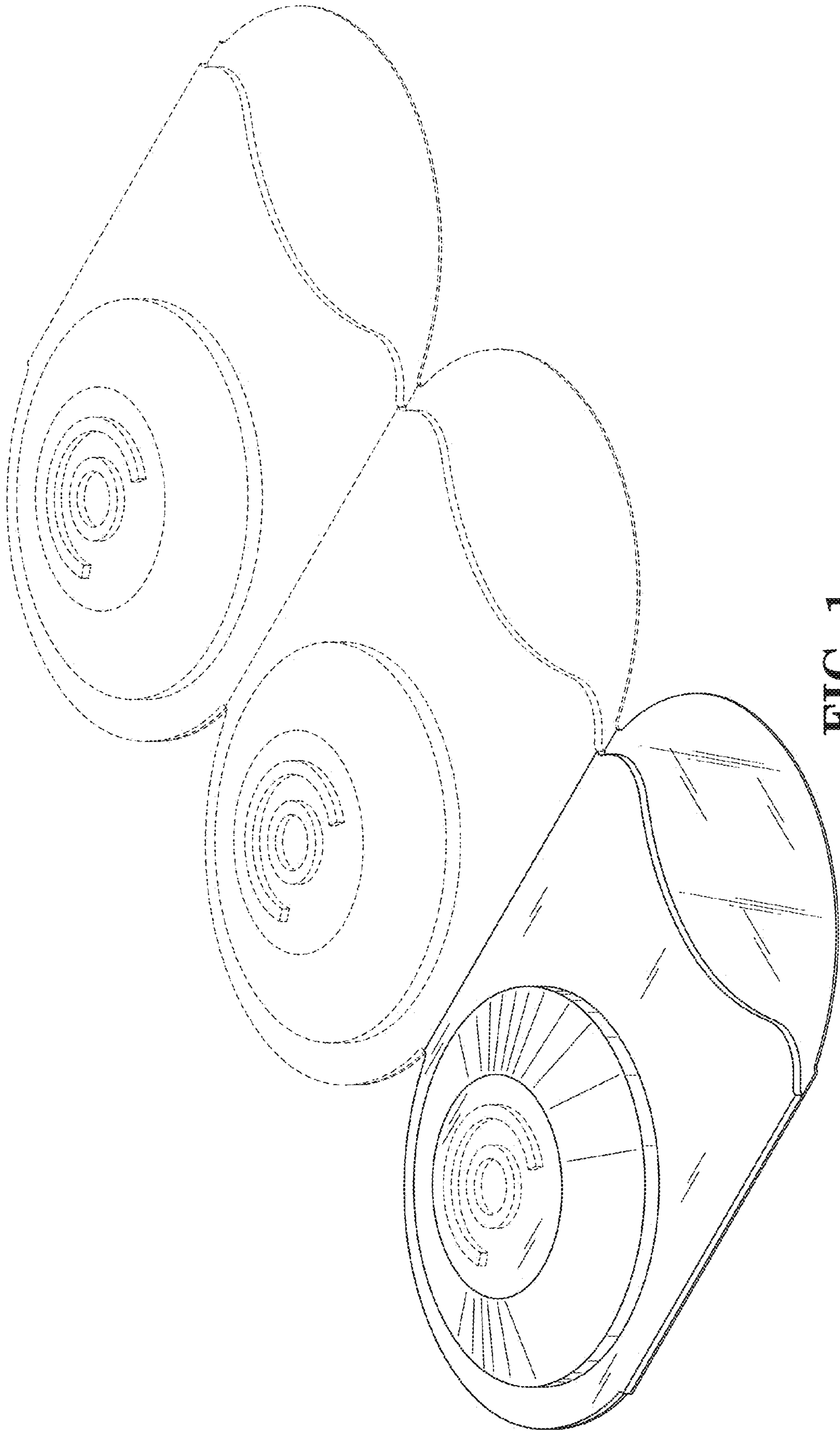


FIG. 1

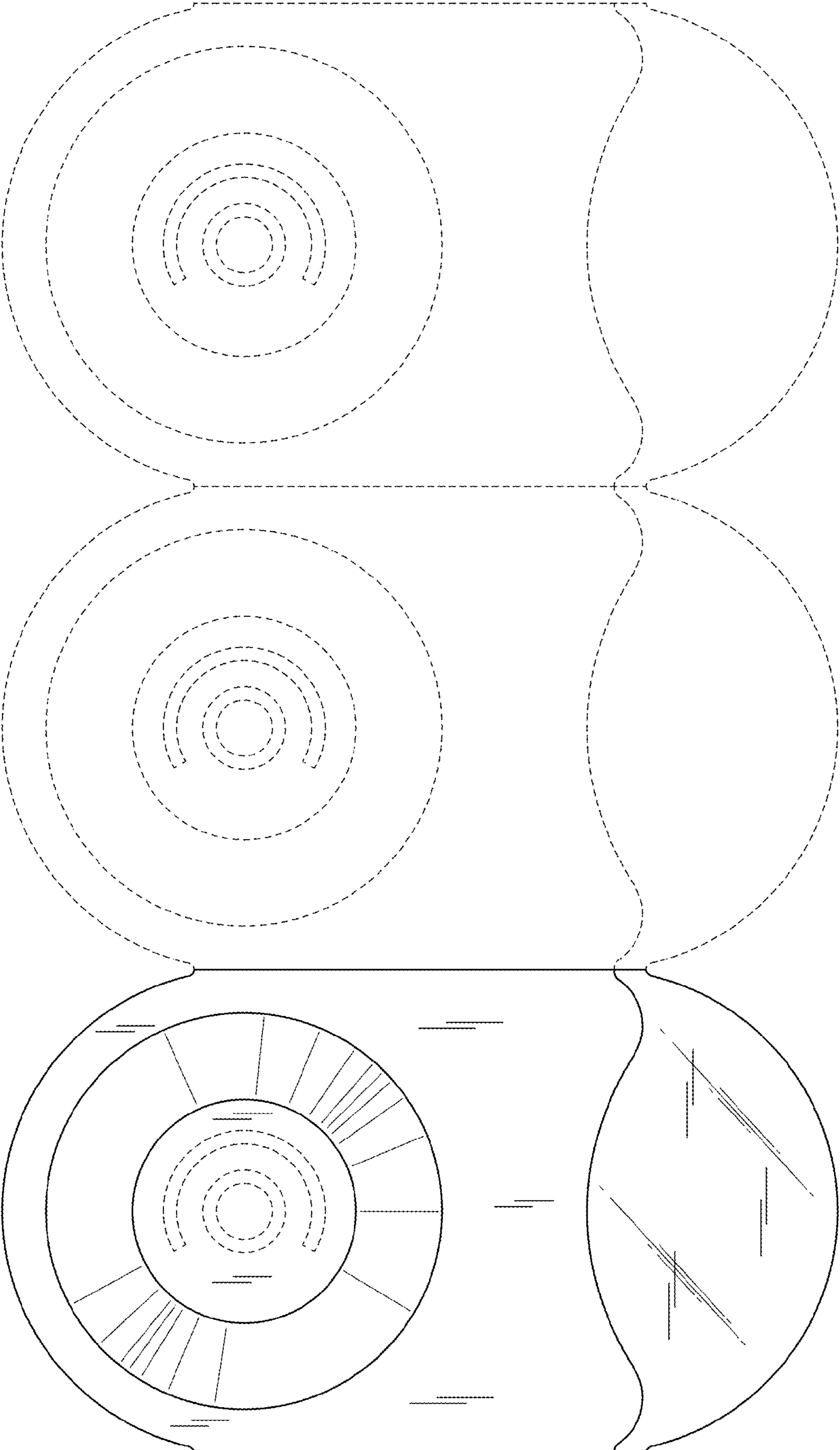


FIG. 2

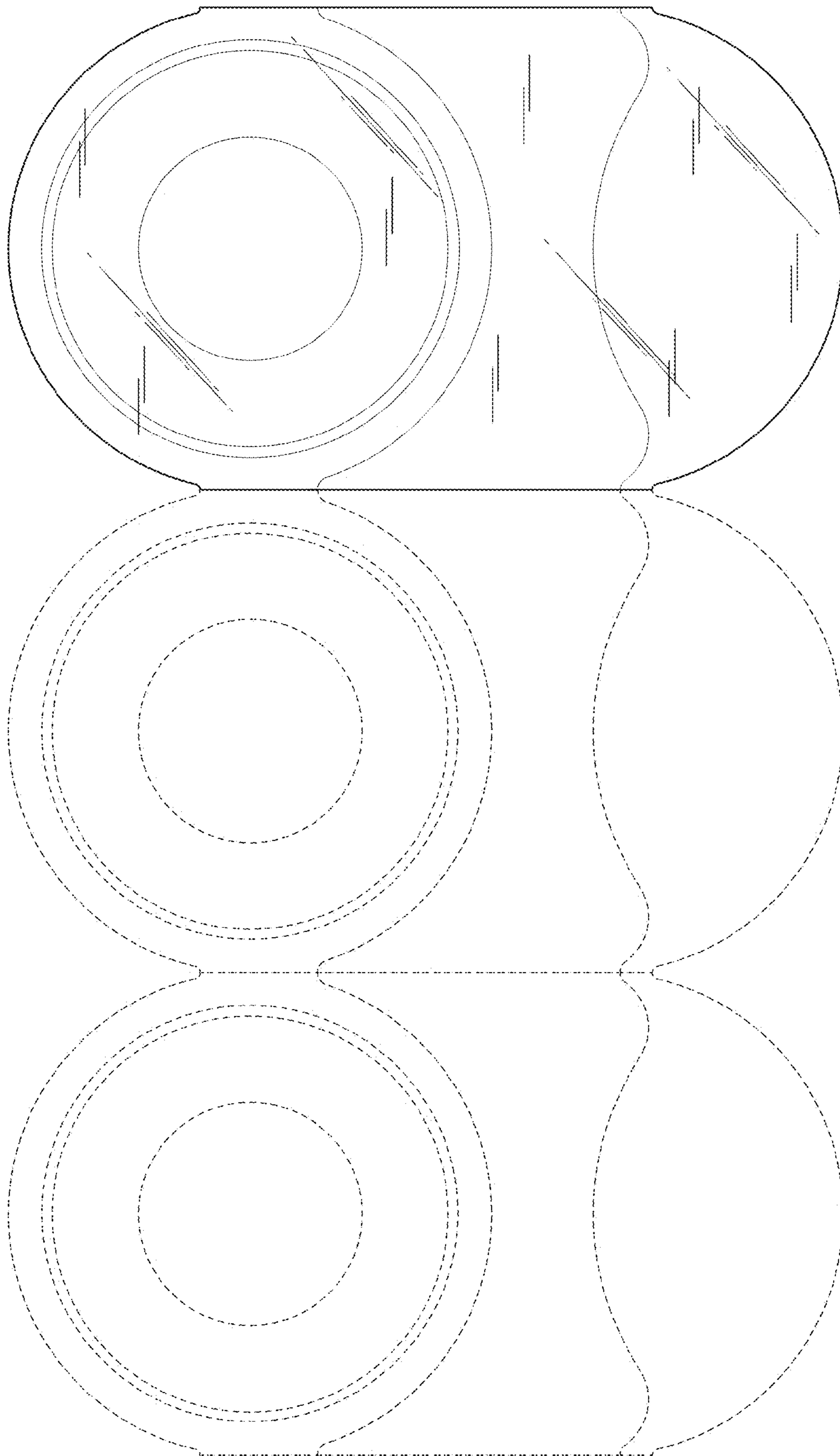


FIG. 3

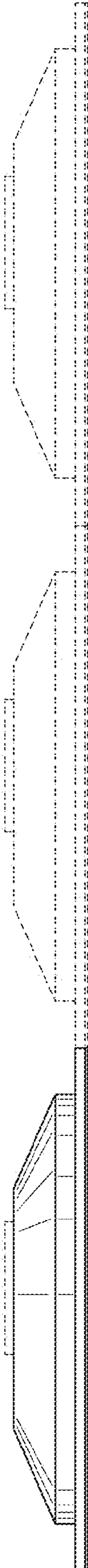


FIG. 4

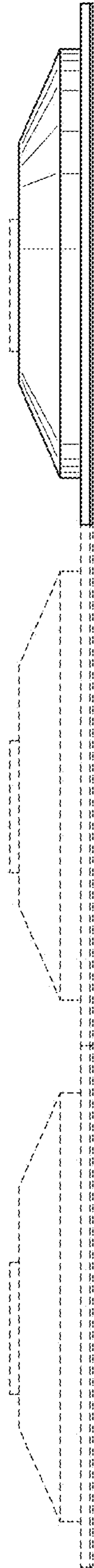


FIG. 5



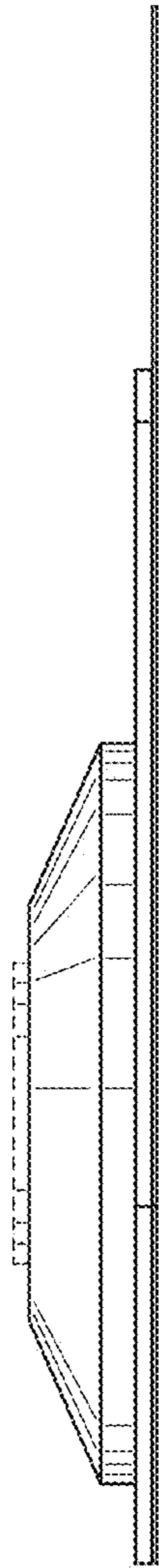


FIG. 6



FIG. 7