



US00D934414S

(12) **United States Design Patent**
Chazel

(10) **Patent No.:** **US D934,414 S**

(45) **Date of Patent:** **** Oct. 26, 2021**

(54) **SPATULAS INSTRUMENT FOR COSMETIC OR MEDICAL USE**

(71) Applicant: **Bayer Intellectual Property GmbH**,
Monheim am Rhein (DE)

(72) Inventor: **Bruno Chazel**, Voiron (FR)

(73) Assignee: **Bayer Intellectual Property GmbH**,
Monheim am Rhein (DE)

(**) Term: **15 Years**

(21) Appl. No.: **29/645,768**

(22) Filed: **Apr. 29, 2018**

(30) **Foreign Application Priority Data**

Nov. 7, 2017 (EM) 004497238-0001

(51) **LOC (13) Cl.** **24-02**

(52) **U.S. Cl.**
USPC **D24/119**

(58) **Field of Classification Search**
USPC D24/119, 118, 127, 130, 133, 138,
D24/146-147, 150, 172, 231; D28/7, 8,
D28/56, 57, 58, 59; D9/503, 504, 505;
D8/61, 62, 68, 69
CPC .. A61M 35/006; A61B 17/29; A61B 17/0218;
A61B 17/2909; A61B 17/282; A61B
17/295; A61B 2017/2926; A61B 10/04;
A61B 10/0096; A61B 10/025
See application file for complete search history.

(56) **References Cited**

U.S. PATENT DOCUMENTS

D552,747 S * 10/2007 Chang D24/209
D742,005 S * 10/2015 Komuda D24/146
D745,968 S * 12/2015 Booth D24/152
D758,009 S * 5/2016 Berkos D28/7
D783,161 S * 4/2017 Griffith D24/129

* cited by examiner

Primary Examiner — Samantha Q Lawrence

(74) *Attorney, Agent, or Firm* — Lowenstein Sandler LLP

(57) **CLAIM**

The ornamental design of a spatulas instrument for cosmetic or medical use, as substantially shown and described.

DESCRIPTION

FIG. 1 illustrates a perspective view of a spatulas instrument for cosmetic or medical use in accordance with the present invention;

FIG. 2 illustrates a front elevation view thereof;

FIG. 3 illustrates a rear elevation view thereof;

FIG. 4 illustrates a left side elevation view thereof;

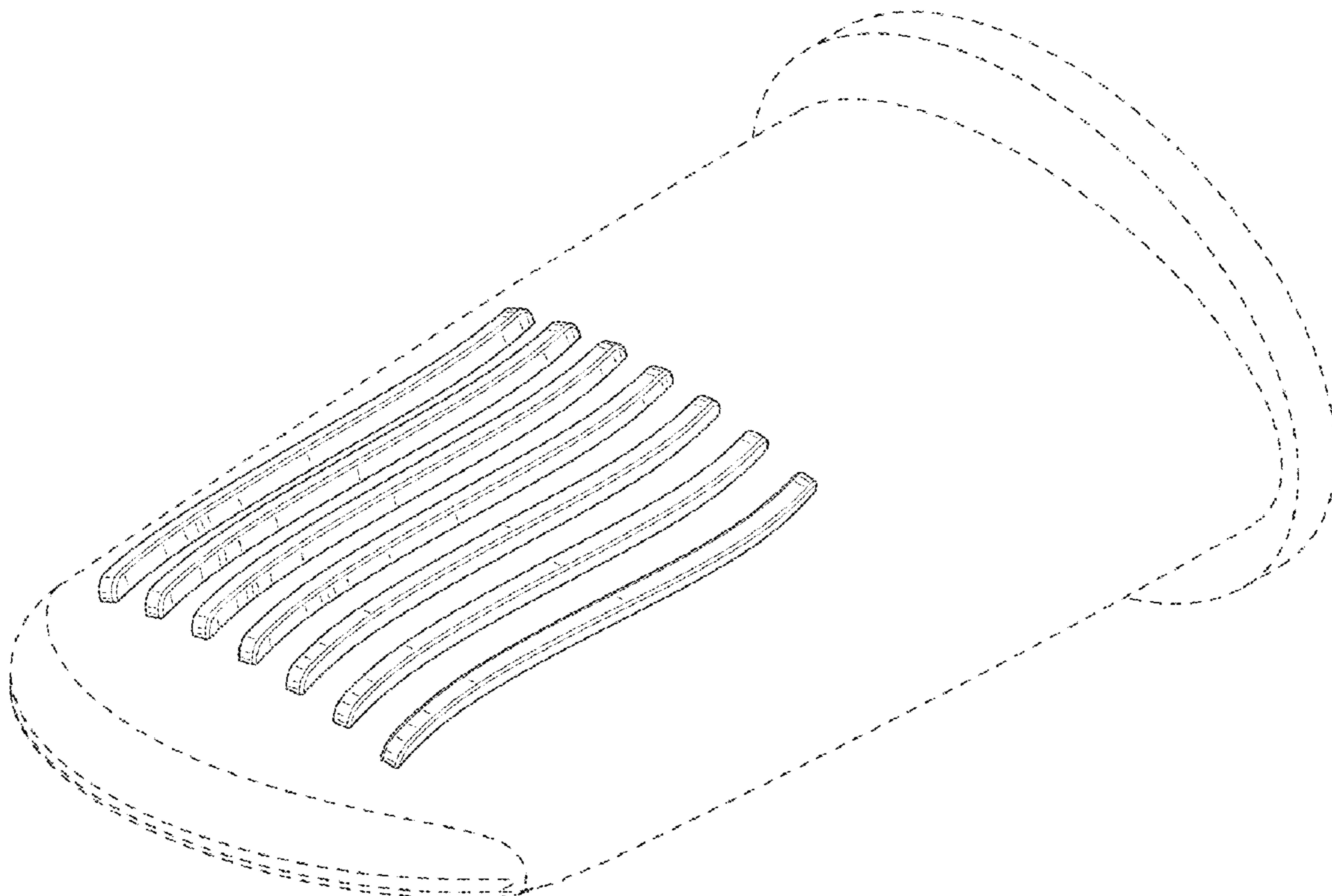
FIG. 5 illustrates a right side elevation view thereof;

FIG. 6 illustrates a top plan view thereof; and,

FIG. 7 illustrates a bottom plan view thereof.

The broken lines shown in the drawings illustrate portions of the spatulas instrument for cosmetic or medical use that form no part of the claimed design.

1 Claim, 7 Drawing Sheets



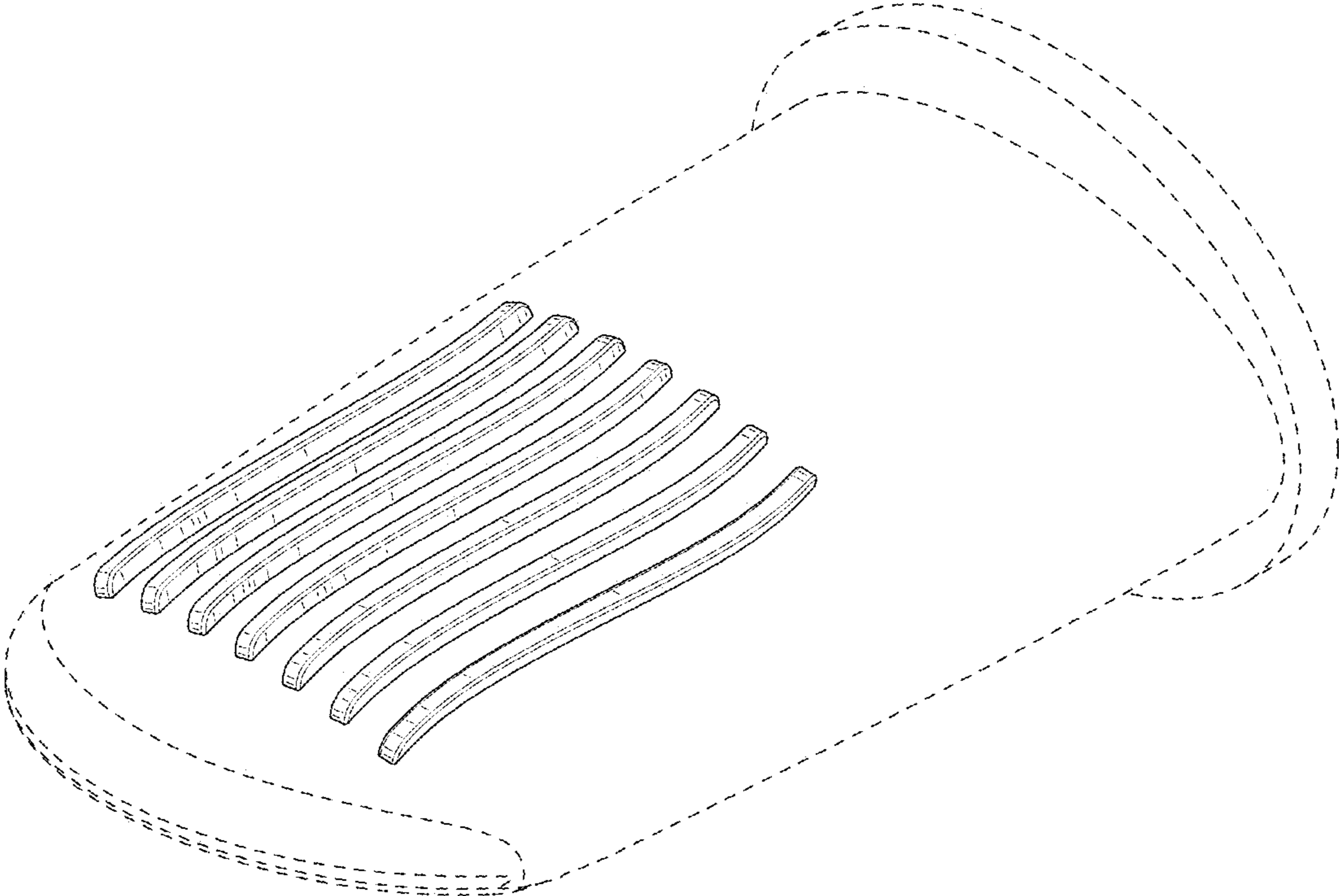


FIG. 1

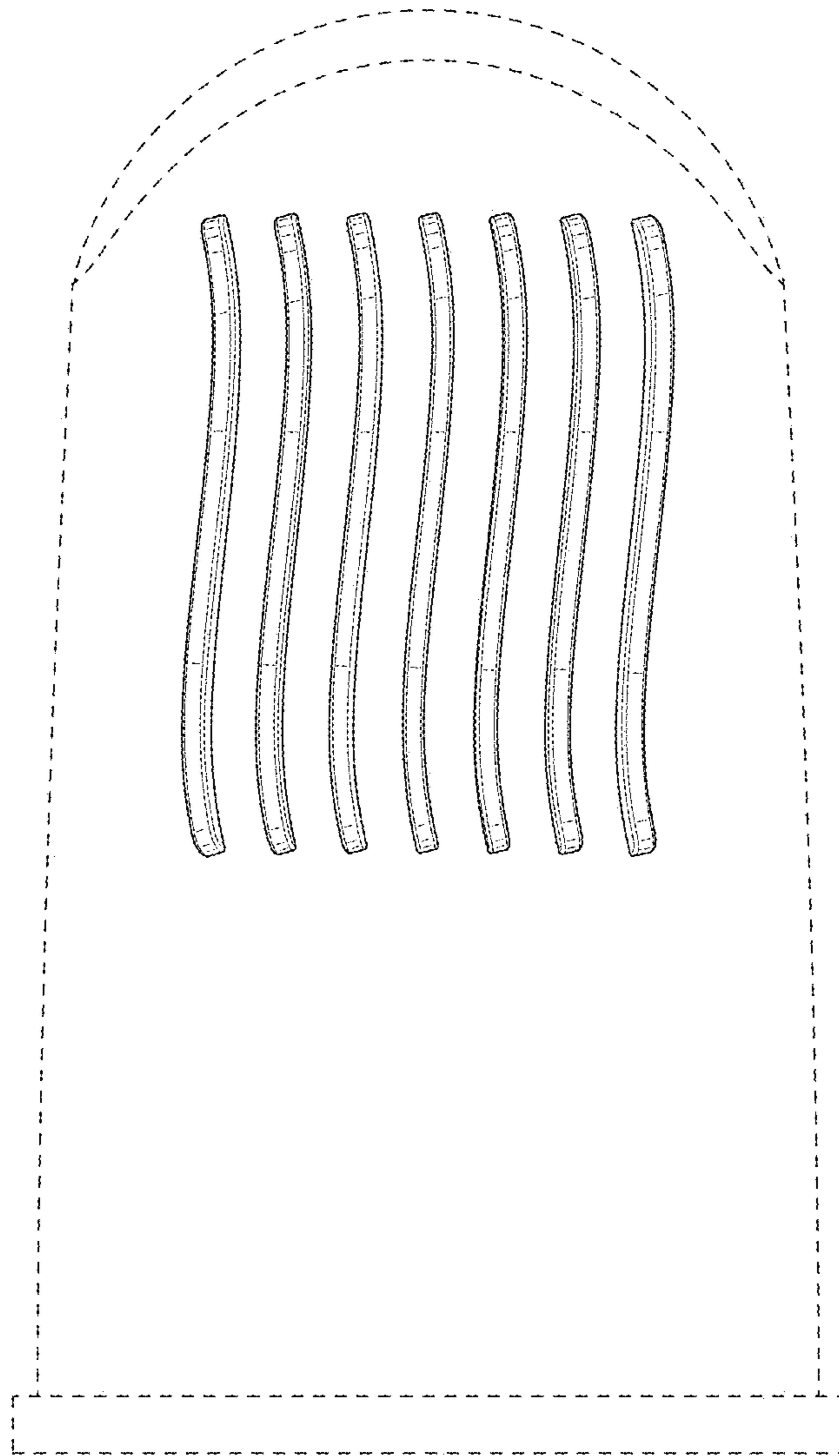


FIG. 2

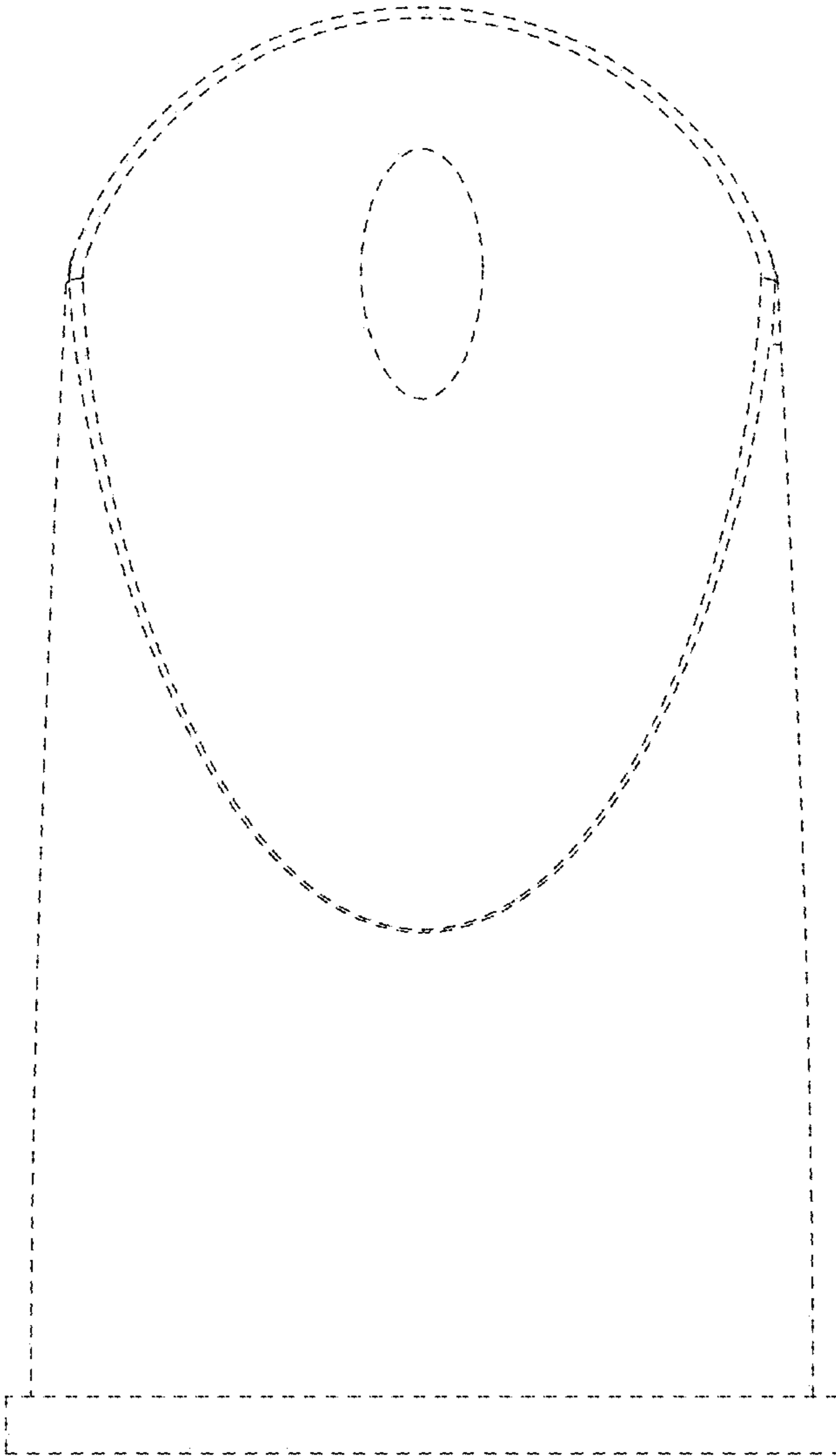


FIG. 3

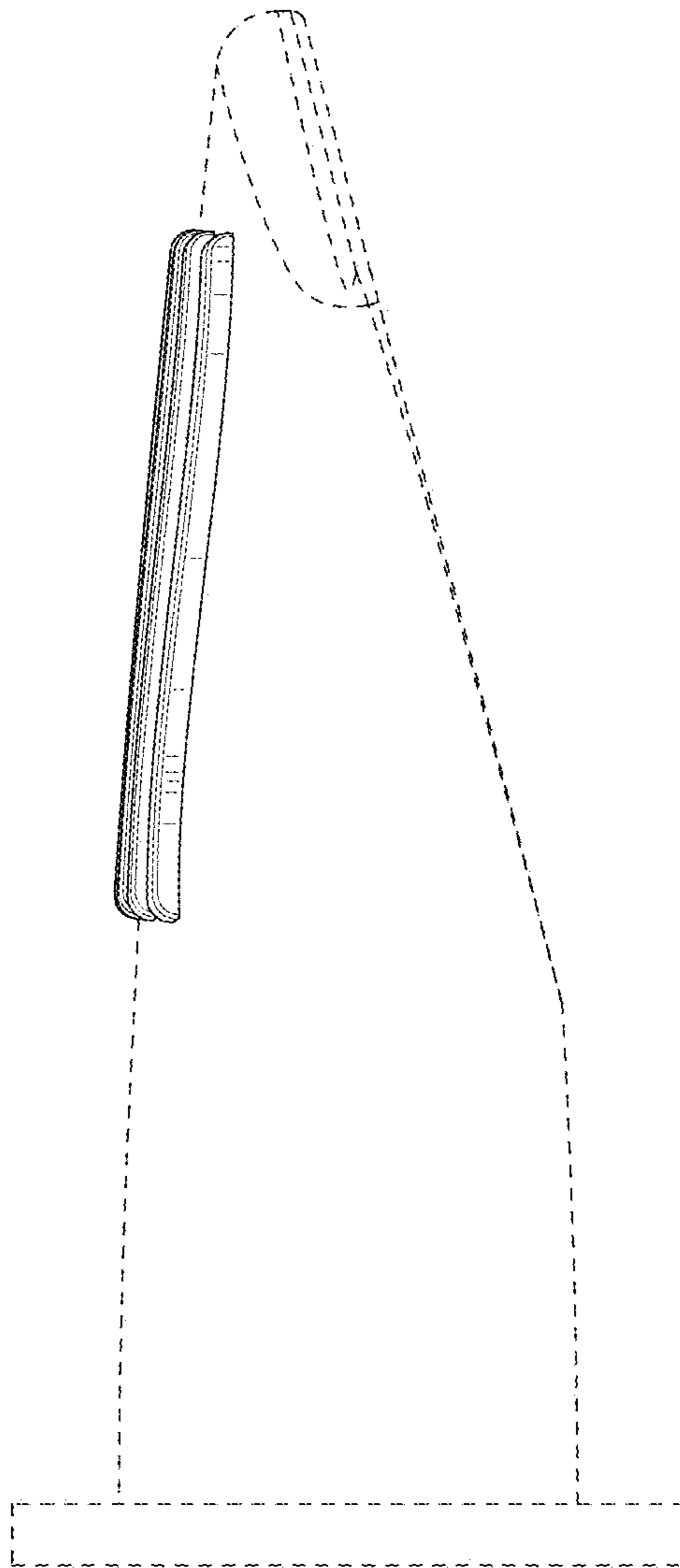


FIG. 4

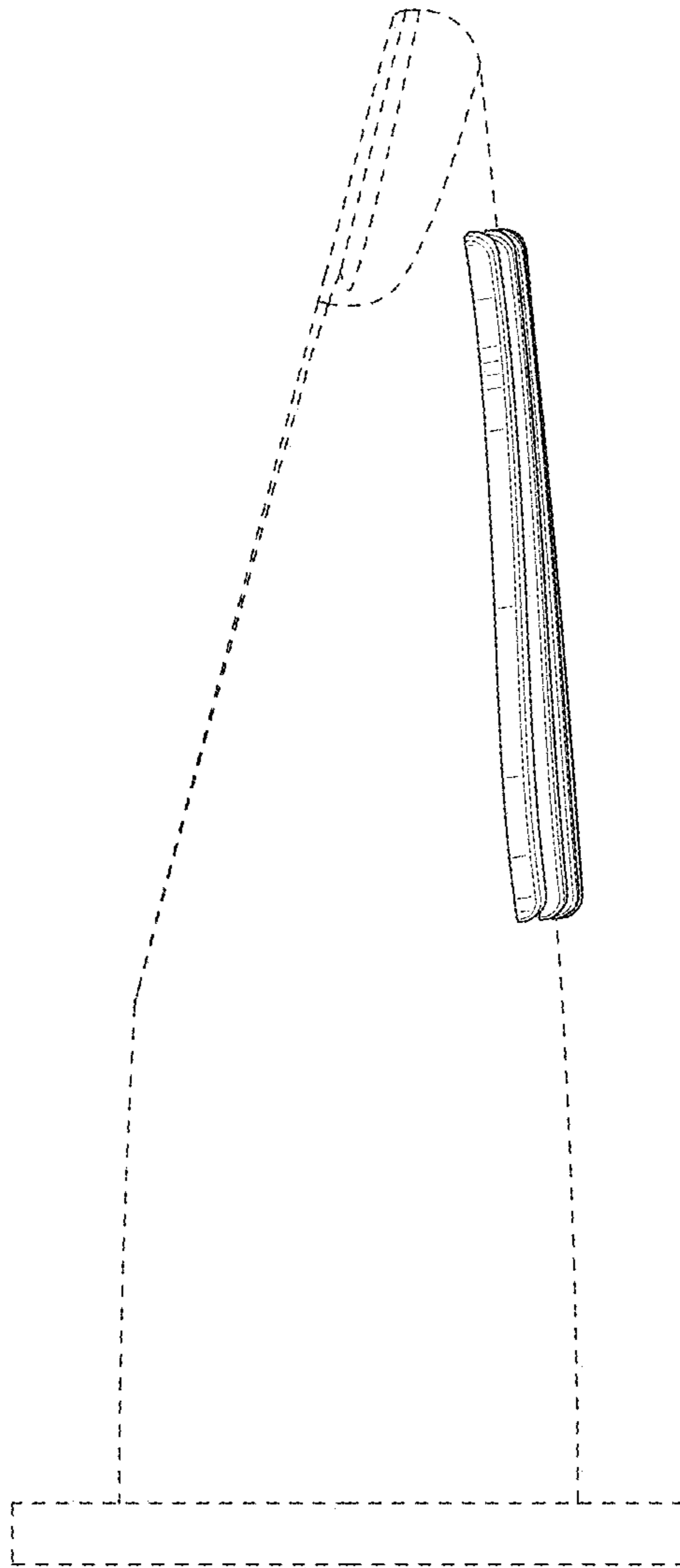


FIG. 5

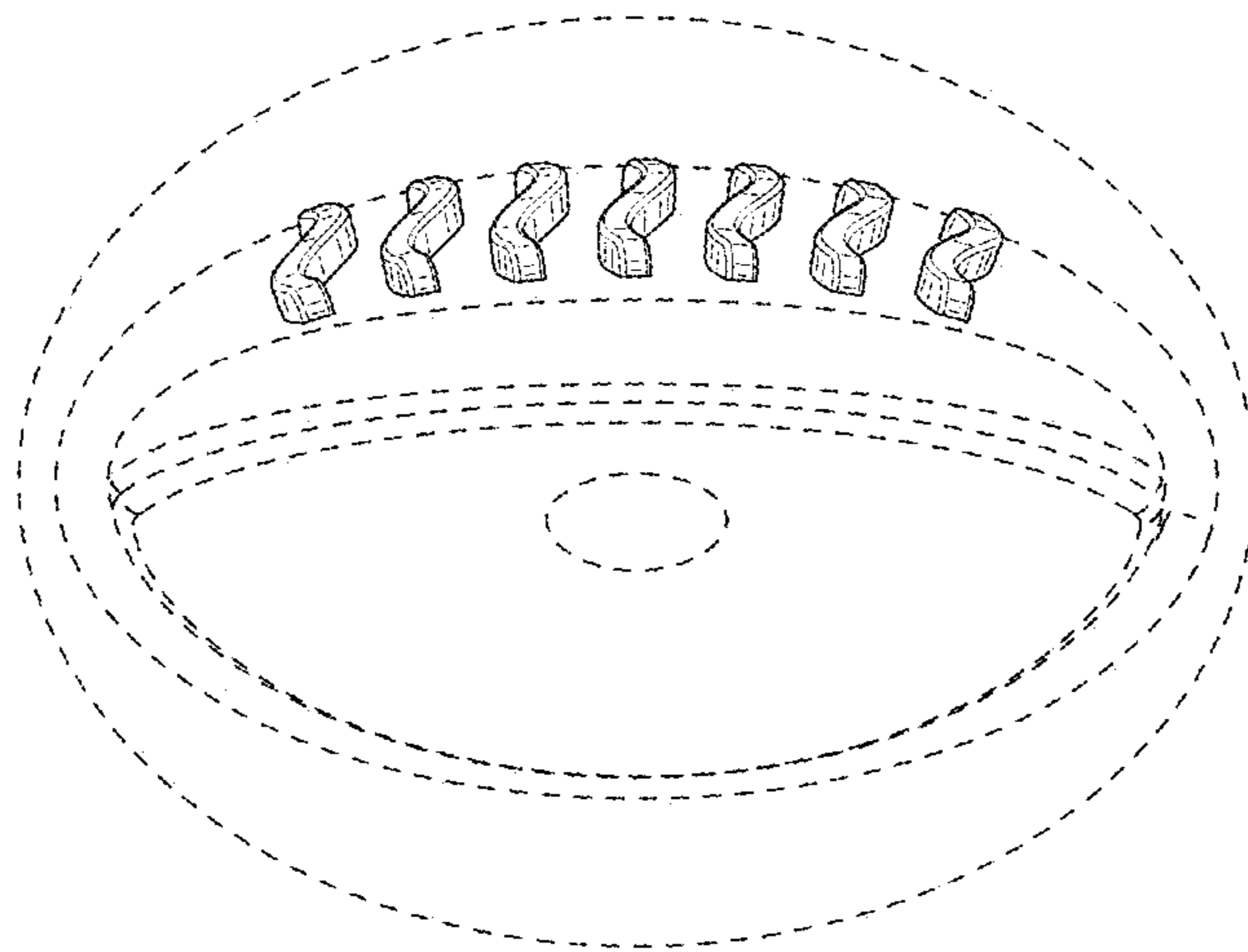


FIG. 6

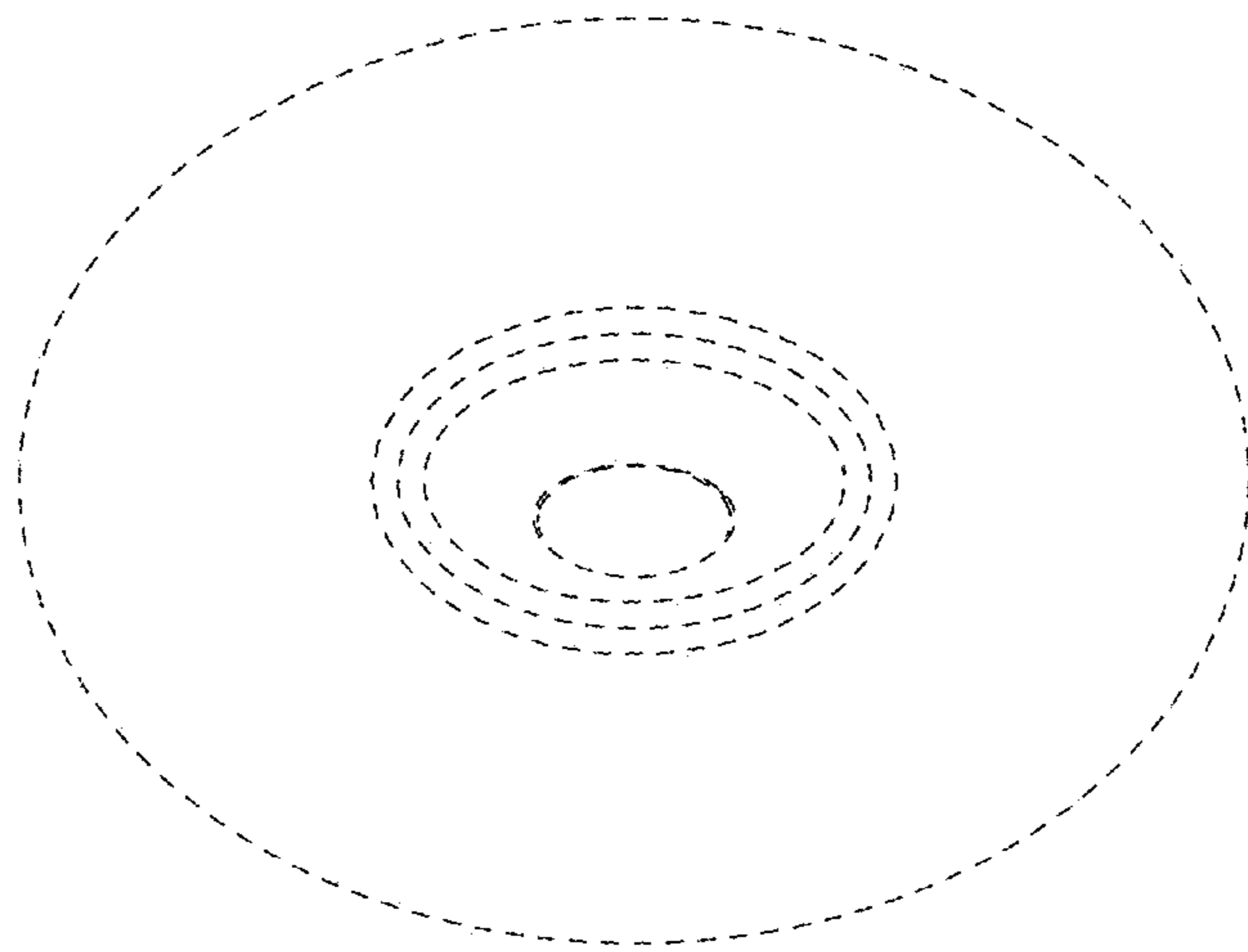


FIG. 7