

US00D934410S

(12) **United States Design Patent** (10) **Patent No.:** **US D934,410 S**
Marsden (45) **Date of Patent:** **** Oct. 26, 2021**

(54) **BASE FOR A FAN**
(71) Applicant: **Elbee Pty Ltd.**, Bondi Junction (AU)
(72) Inventor: **Andrew Marsden**, Hingham, MA (US)
(73) Assignee: **Elbee Pty Ltd.**, Bondi Junction (AU)
(**) Term: **15 Years**
(21) Appl. No.: **29/705,559**

(22) Filed: **Sep. 12, 2019**
(51) **LOC (13) Cl.** **23-03**
(52) **U.S. Cl.**
USPC **D23/411**
(58) **Field of Classification Search**
USPC D23/200, 223, 228, 314, 328, 332, 333,
D23/335, 336, 337, 351, 355, 356, 370,
D23/371, 378-380, 381, 382, 383,
D23/411-412, 364-365, 366
CPC F04D 25/0673; F04D 25/08; F04D 25/084;
F04D 29/4226
See application file for complete search history.

(56) **References Cited**

U.S. PATENT DOCUMENTS

D232,831 S * 9/1974 Vidmar, Jr. D23/386
D451,991 S * 12/2001 Israel D23/377
D614,280 S 4/2010 Dyson et al.
D669,164 S * 10/2012 Hsu D23/411
8,403,640 B2 3/2013 Gammack et al.
8,408,869 B2 4/2013 Hutton et al.
D716,096 S * 10/2014 Krooshof D7/326
D799,675 S * 10/2017 Wong D23/382
9,797,413 B2 10/2017 Stewart et al.
9,797,612 B2 10/2017 Staniforth et al.

D838,355 S * 1/2019 Cho D23/390
D842,020 S * 3/2019 Augustyn D7/326
10,221,861 B2 * 3/2019 Avedon F04D 25/08
D884,873 S * 5/2020 Bortnick D23/411
D903,082 S * 11/2020 Arinsmier D23/366
2012/0061376 A1 * 3/2012 McBean A47J 36/2438
219/430
2013/0142676 A1 * 6/2013 Zou F04D 29/002
417/313
2013/0249122 A1 9/2013 Staniforth et al.
2016/0281742 A1 * 9/2016 Rivera F04D 25/0673

* cited by examiner

Primary Examiner — Lilyana Bekic
Assistant Examiner — Sharon S Oum
(74) *Attorney, Agent, or Firm* — Wolf, Greenfield & Sacks, P.C.

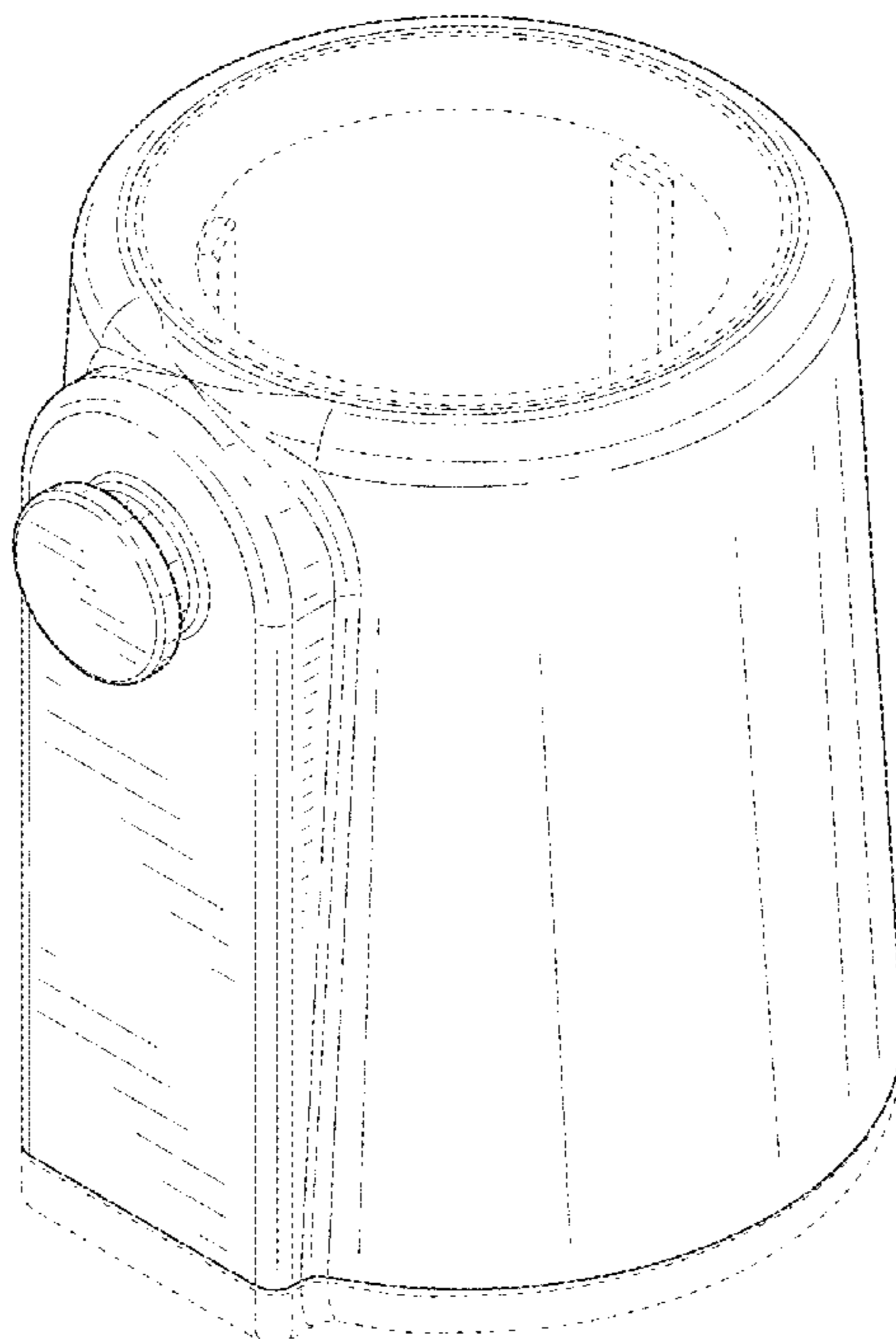
(57) **CLAIM**

The ornamental design for a base for a fan, as shown and described.

DESCRIPTION

FIG. 1 is a top, front, right side perspective view of a base for a fan according to our new design;
FIG. 2 is a front elevation view thereof;
FIG. 3 is a rear elevation view thereof;
FIG. 4 is a left side elevation view thereof;
FIG. 5 is a right side elevation view thereof;
FIG. 6 is a top plan view thereof; and,
FIG. 7 is a bottom plan view thereof.
The dash-dash broken lines illustrate portions of the base for a fan that form no part of the claimed design. The dot-dash broken lines represent boundaries of the claimed design and form no part of the claimed design.

1 Claim, 7 Drawing Sheets



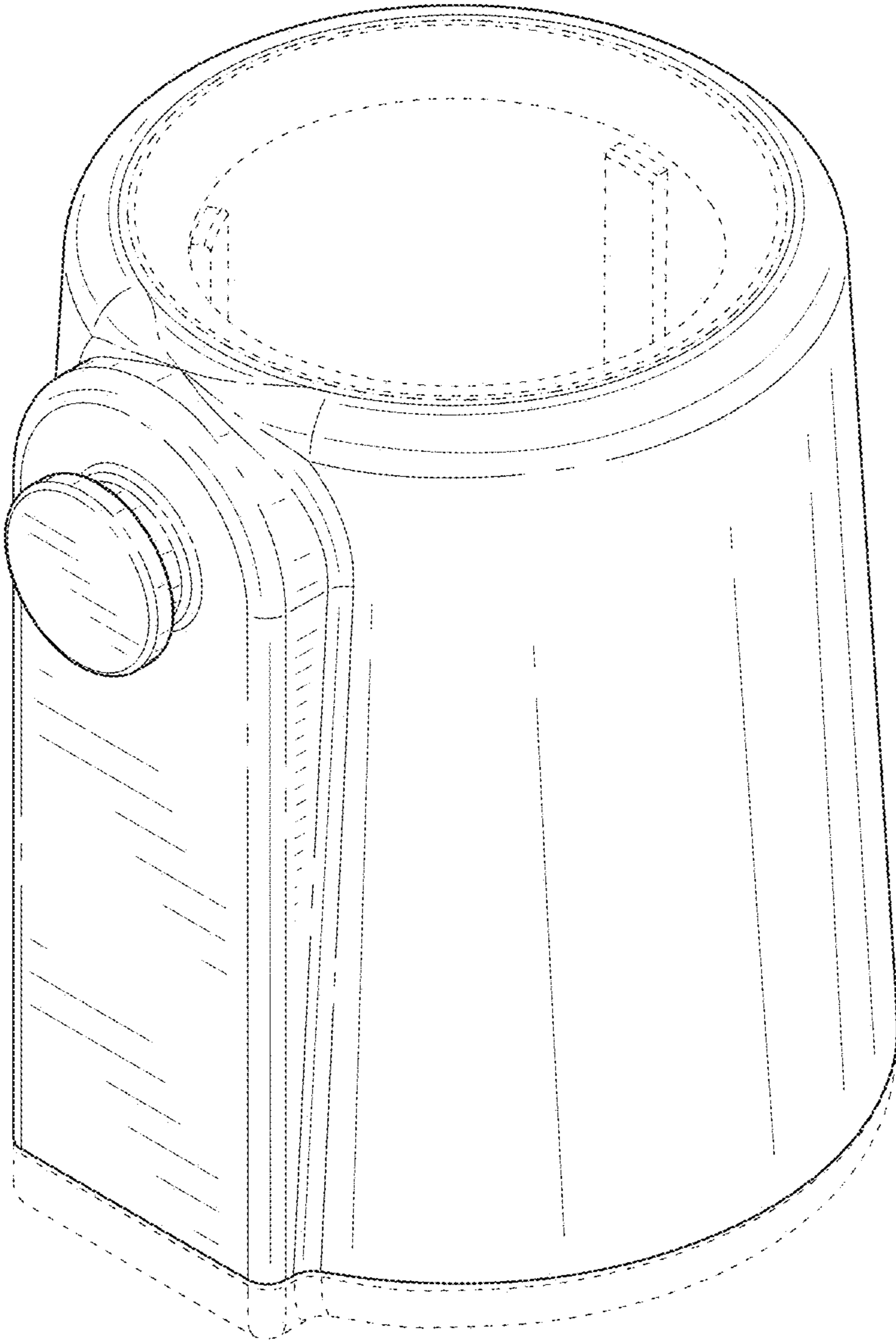


FIG. 1

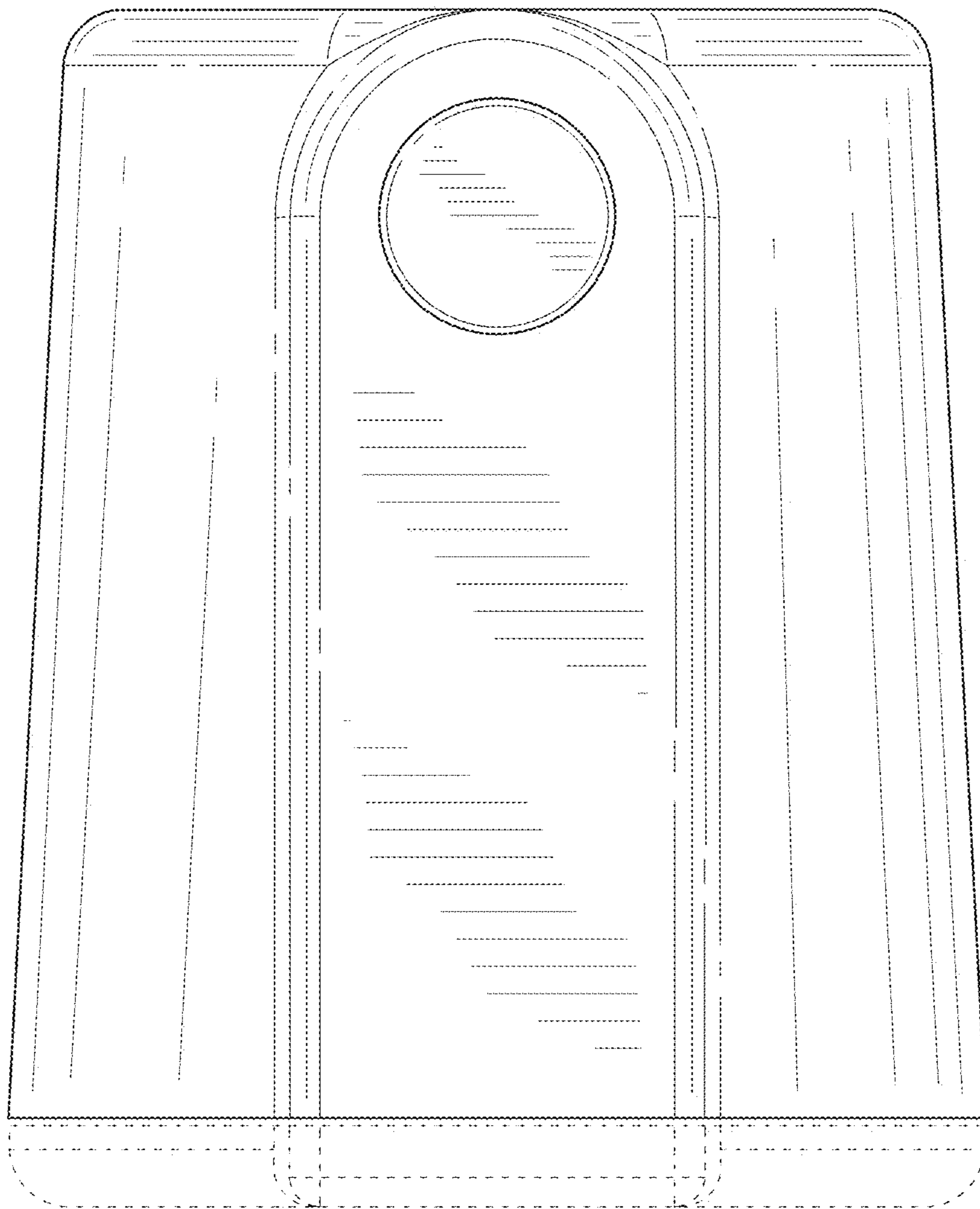


FIG. 2

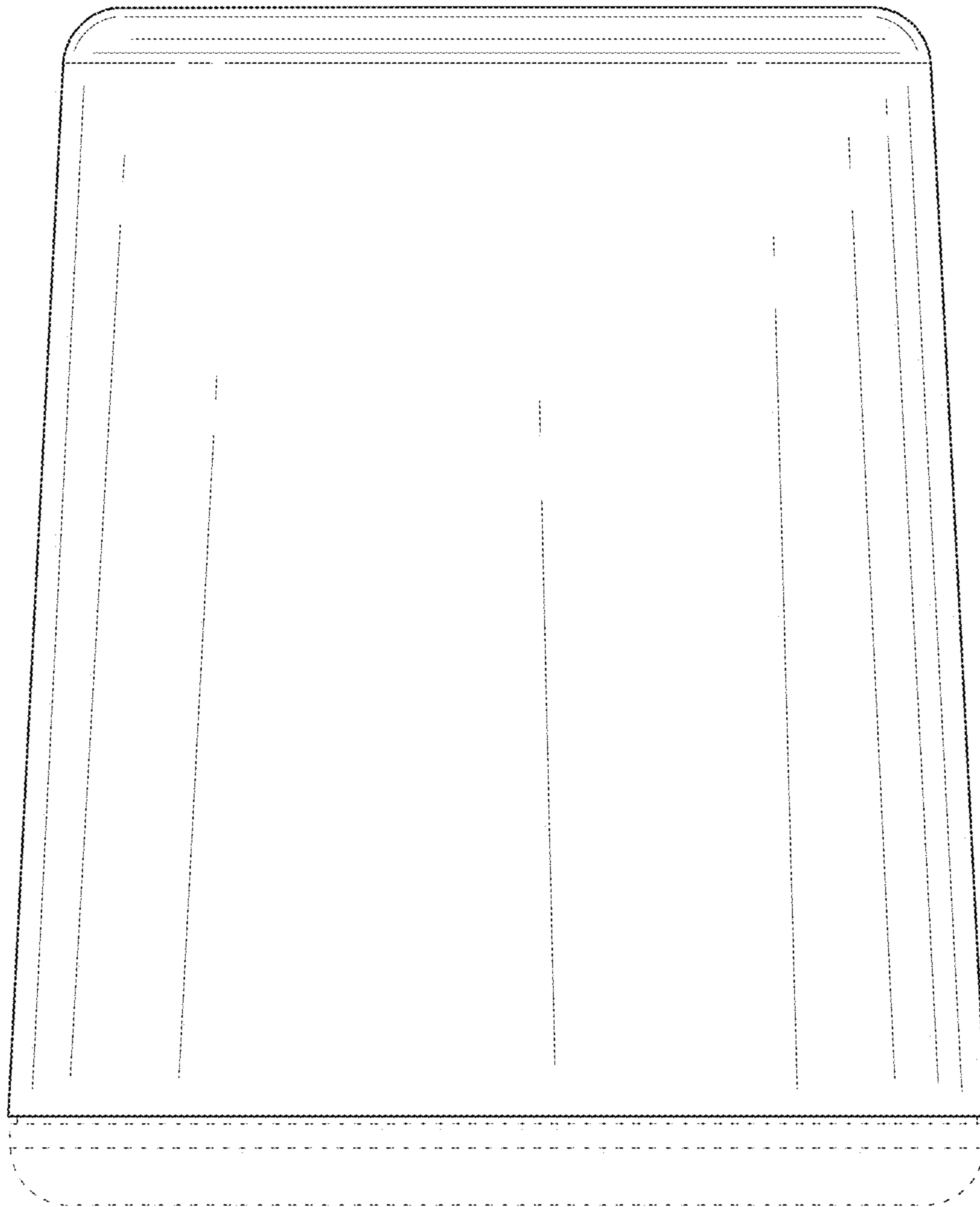


FIG. 3

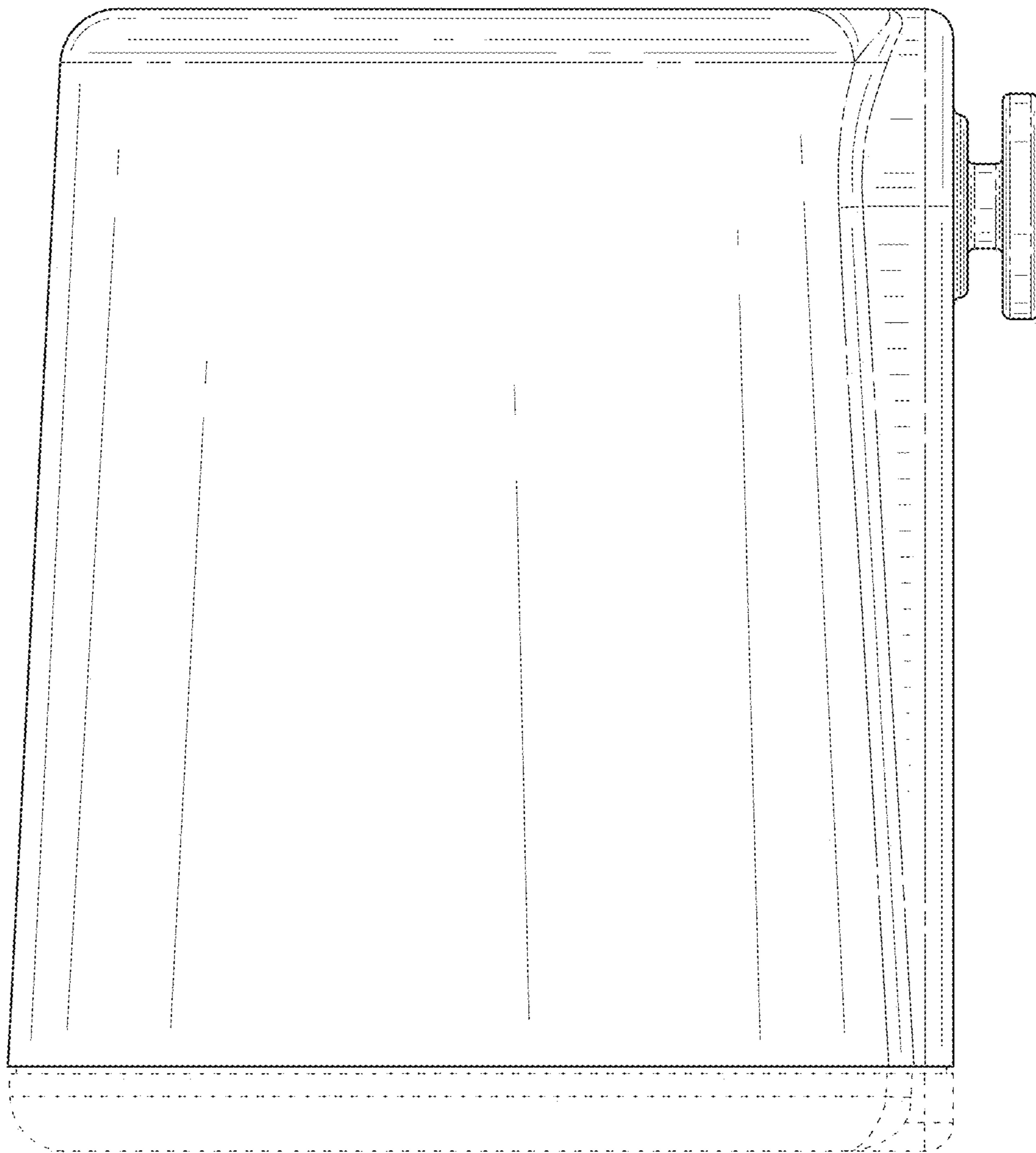


FIG. 4

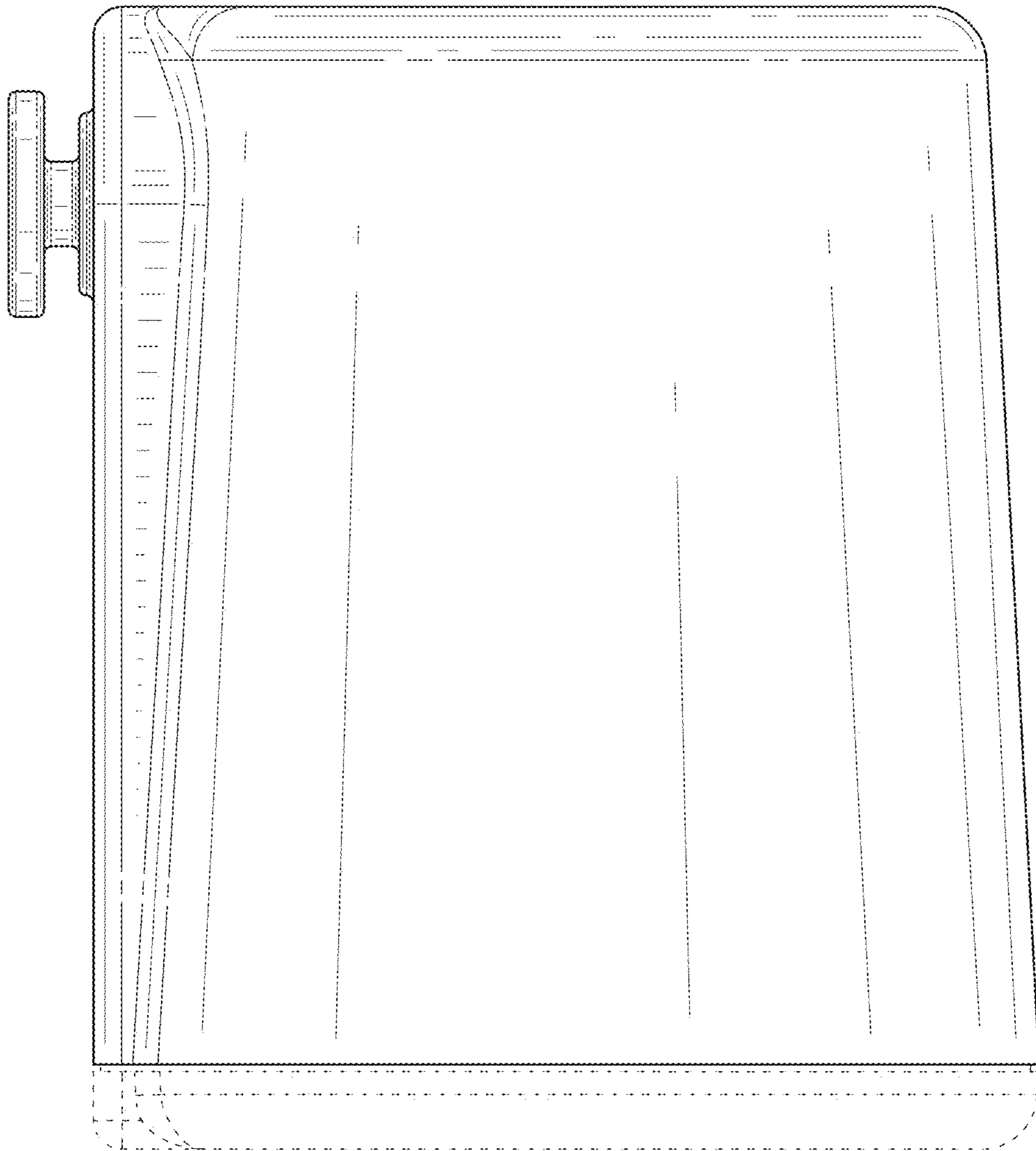


FIG. 5

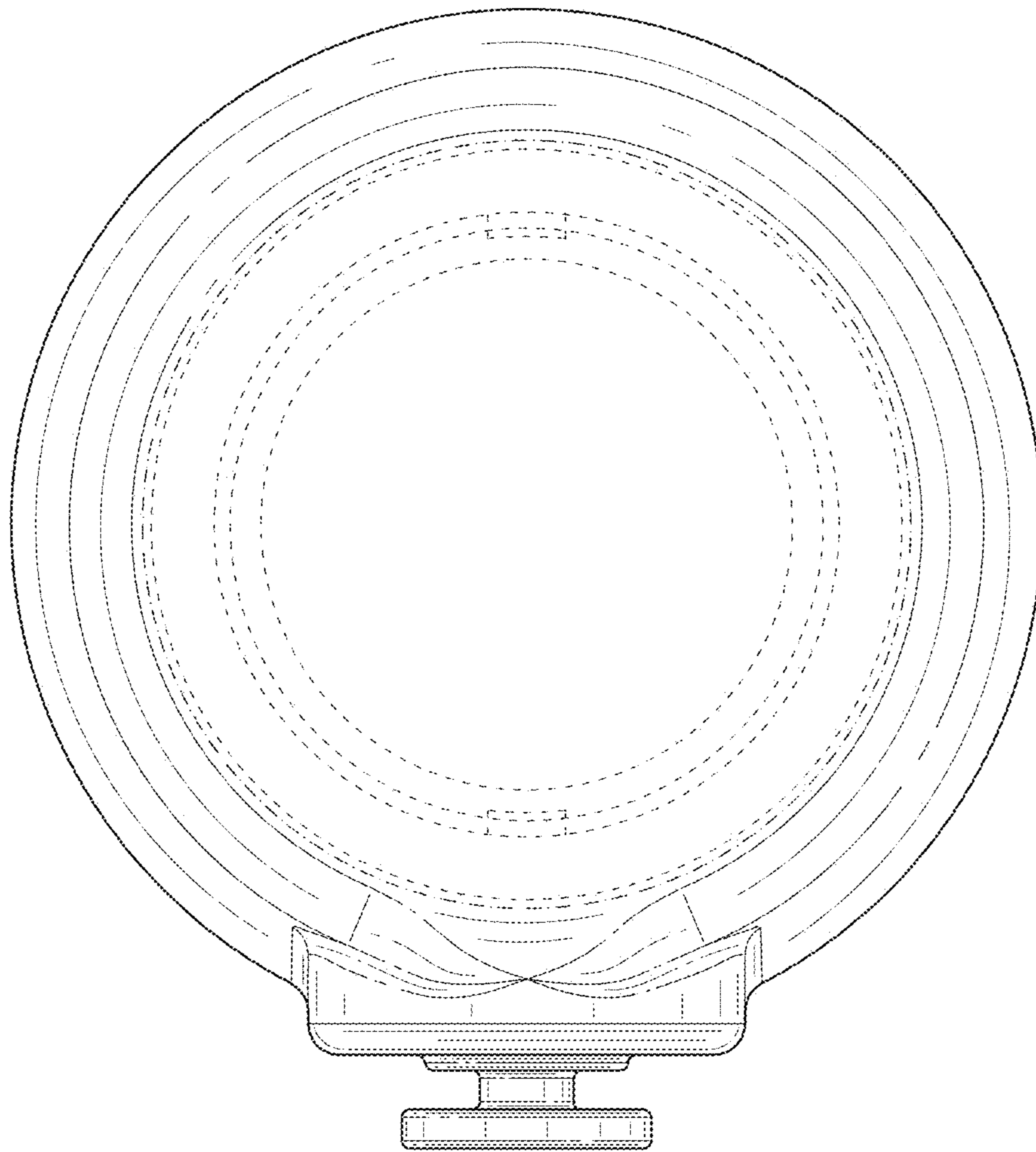


FIG. 6

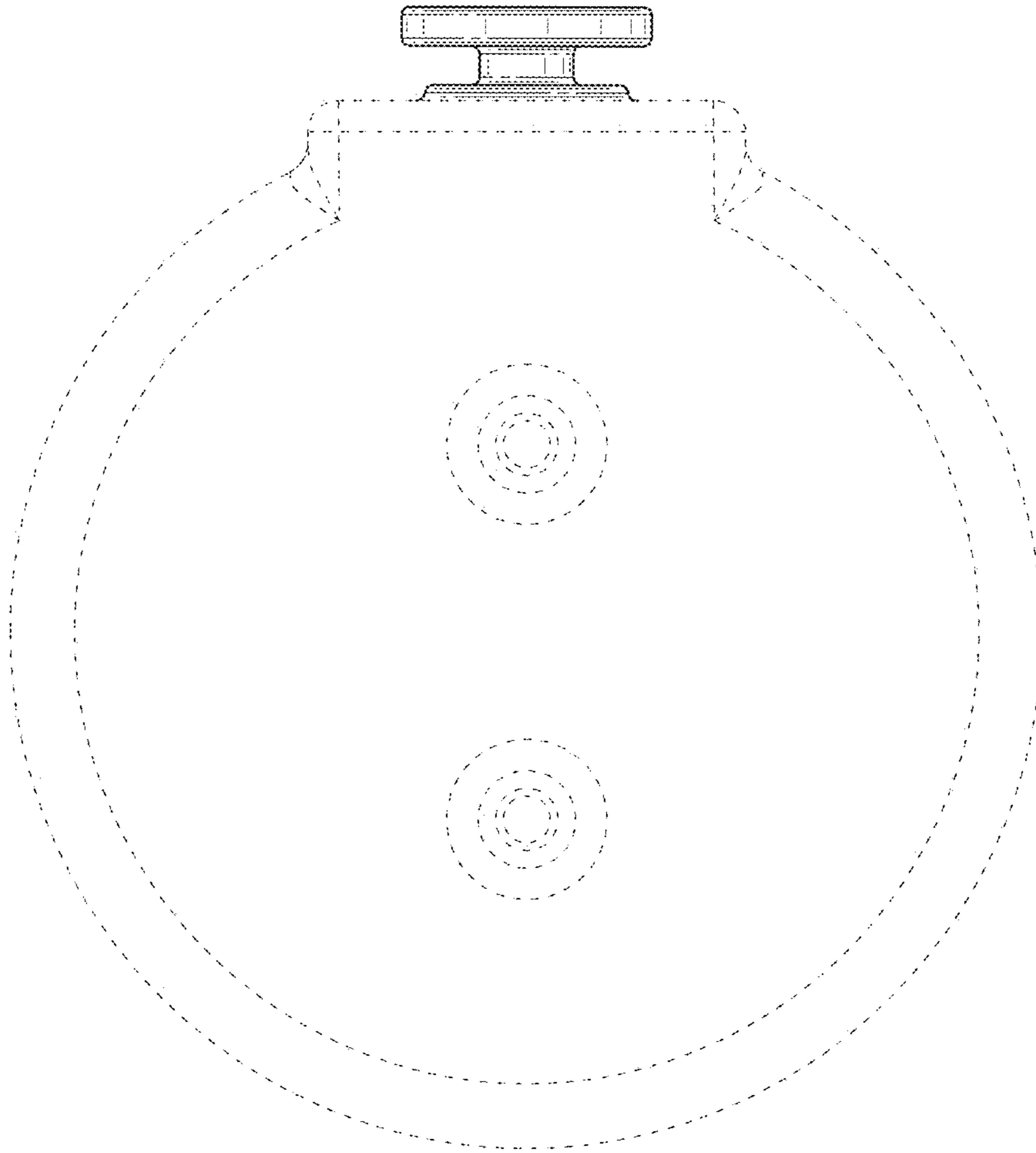


FIG. 7