



US00D934409S

(12) **United States Design Patent**
Cline et al.

(10) **Patent No.:** **US D934,409 S**

(45) **Date of Patent:** **** Oct. 26, 2021**

(54) **ROOF VENT**

(71) Applicant: **Lifetime Tool & Building Products, LLC**, Winchester, VA (US)

(72) Inventors: **Roger Cline**, Bluemont, VA (US);
Mark Maclean-Blevins, Westminster, MD (US)

(73) Assignee: **Lifetime Tool & Building Products, LLC**, Winchester, VA (US)

(**) Term: **15 Years**

(21) Appl. No.: **29/685,643**

(22) Filed: **Mar. 29, 2019**

(51) **LOC (13) Cl.** **23-01**

(52) **U.S. Cl.**
USPC **D23/393**

(58) **Field of Classification Search**
USPC D23/373, 387, 393, 376; D25/199;
D17/20; 454/353, 367, 27, 182, 366,
454/136, 359, 368, 275
CPC .. F24F 13/10; F24F 13/08; F24F 13/20; F24F
7/02; E04D 13/147
See application file for complete search history.

(56) **References Cited**

U.S. PATENT DOCUMENTS

- 2,447,472 A * 8/1948 Donley F24F 7/02
454/366
- D155,345 S * 9/1949 Johnson D23/373
- 2,628,551 A * 2/1953 Leigh F24F 7/02
454/366
- 2,741,972 A * 4/1956 Pryne F23L 17/02
454/27
- 2,839,986 A * 6/1958 Herman F24F 13/08
454/136
- 2,878,743 A * 3/1959 Trunnell F24F 7/02
454/366
- D191,018 S * 8/1961 Kearney D23/376

- 3,093,059 A * 6/1963 Metz E04D 13/0325
454/366
- 3,345,932 A * 10/1967 Sauer F24F 7/02
454/275
- 3,783,767 A * 1/1974 Stalker F24F 7/02
454/368
- D243,851 S * 3/1977 Felter D23/373
(Continued)

FOREIGN PATENT DOCUMENTS

EM 002269027-0001 * 8/2013

OTHER PUBLICATIONS

Roberts Roof Caps, announced Date unavailable[online], [site visited May 4, 2020], Available from internet, URL:<<http://robertsroofcap.com/>> (Year: 2020).*

(Continued)

Primary Examiner — Barbara Fox
Assistant Examiner — Jamaal Rasheed
(74) *Attorney, Agent, or Firm* — James Creighton Way

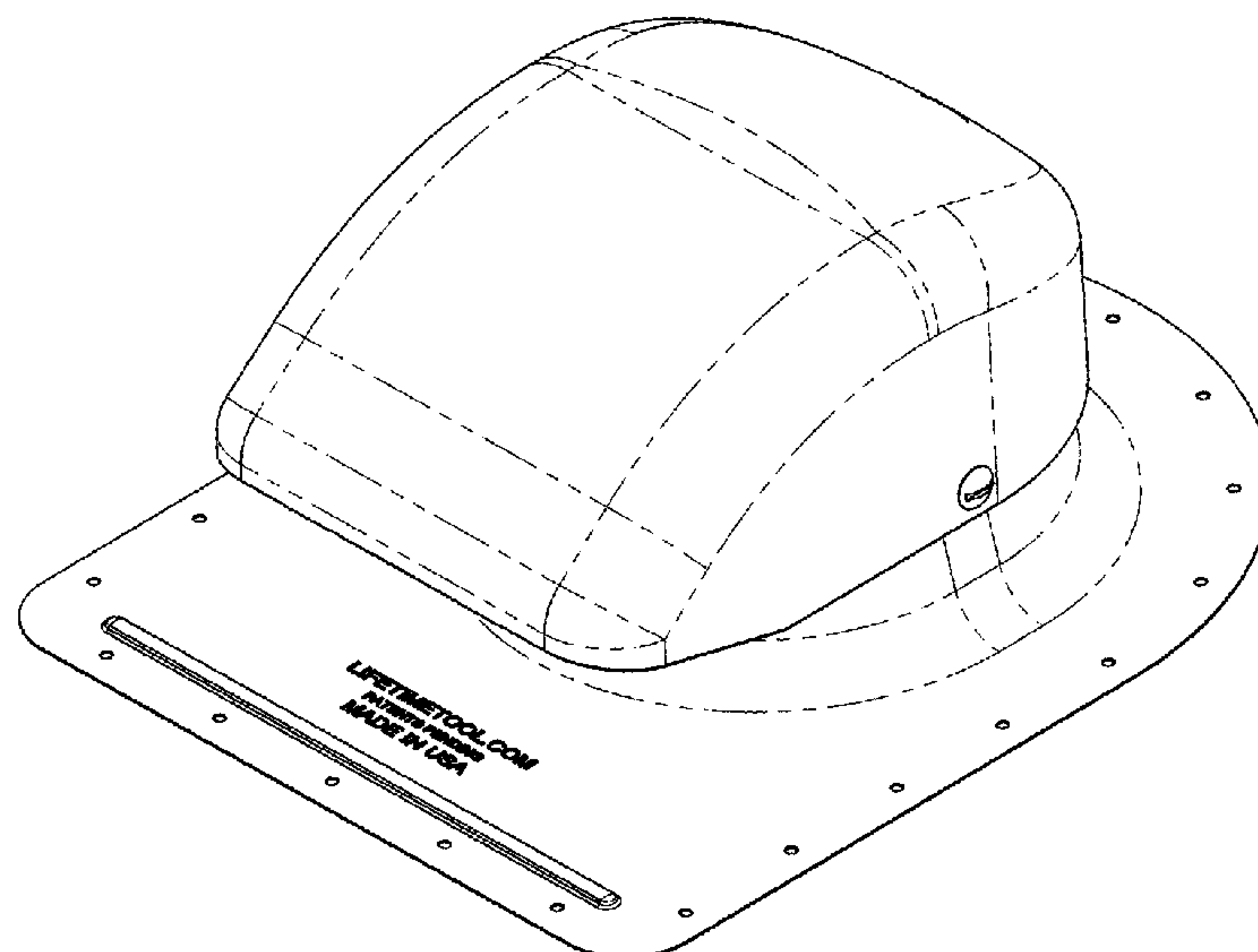
(57) **CLAIM**

The design for a roof vent, as shown and described.

DESCRIPTION

FIG. 1 is a top, right perspective view of a roof vent showing the new design.
FIG. 2 is a bottom, right perspective view thereof.
FIG. 3 is a right side view thereof.
FIG. 4 is a left side view thereof.
FIG. 5 is a front view thereof.
FIG. 6 is a rear view thereof.
FIG. 7 is a top view thereof; and,
FIGS. 8-11 are perspective views from the top, right side, left side and rear of the roof vent shown in FIGS. 1-7.
The short-short-long dashed lines show shading and contour of the roof vent.

1 Claim, 11 Drawing Sheets



(56)

References Cited

U.S. PATENT DOCUMENTS

4,214,511 A * 7/1980 Mueller B65D 90/36
 454/182
 D259,951 S * 7/1981 Briedert D23/376
 4,625,630 A * 12/1986 Carroll B65D 88/741
 454/182
 D304,367 S * 10/1989 Saas D23/373
 D376,007 S * 11/1996 Thomas D23/393
 5,662,522 A * 9/1997 Waltz E04D 13/17
 454/359
 D431,291 S * 9/2000 McKee D23/393
 D433,496 S * 11/2000 Hadley D23/373
 6,994,622 B2 * 2/2006 Koessler F24F 7/02
 454/367
 D554,749 S * 11/2007 Ness D23/393
 D556,314 S * 11/2007 Daniels, II D23/393
 D571,908 S * 6/2008 Myers D23/393
 D629,094 S * 12/2010 Thomas D23/387
 D662,230 S * 6/2012 Cline D25/199
 D666,707 S * 9/2012 Eikhoff D23/393
 D675,719 S * 2/2013 Eicher D23/373
 D677,376 S * 3/2013 Wolff D22/119

D679,743 S * 4/2013 Coco D17/20
 D705,419 S * 5/2014 Leonard D23/373
 D796,074 S * 8/2017 Bond D25/199
 D804,643 S * 12/2017 Green D23/393
 D878,543 S * 3/2020 Green D23/393
 D882,058 S * 4/2020 Rizo D23/373
 2016/0131392 A1 * 5/2016 Mantyla F24F 13/20
 454/353
 2017/0191683 A1 * 7/2017 Seemann F24F 7/02
 2019/0249439 A1 * 8/2019 Oddy E04D 13/1476

OTHER PUBLICATIONS

Roof Cap for Ventilation, announced Date Mar. 8, 2008[online],
 [site visited May 4, 2020], Available from internet, URL:<<https://www.amazon.com/NuTone-636AL-Roof-Ventilation-Aluminum/dp/B0015615HA>> (Year: 2008).*

Bath Dryer Vent Shingle Roofs, announced Date unavailable[online],
 [site visited May 4, 2020], Available from internet, URL:<<https://www.lifetimetool.com/product/bath-dryer-vent-shingle-roof/>> (Year: 2020).*

* cited by examiner

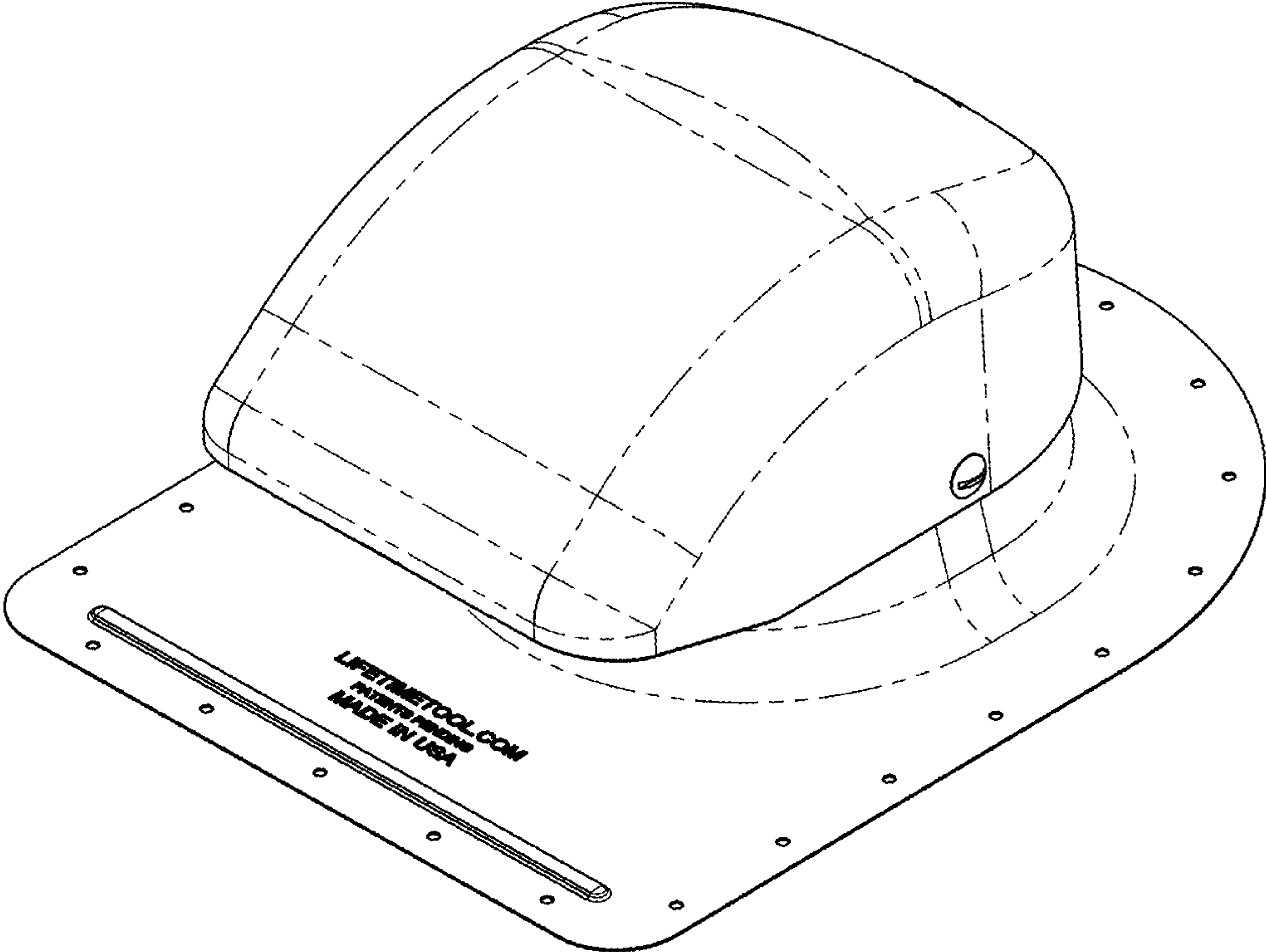


FIG. 1

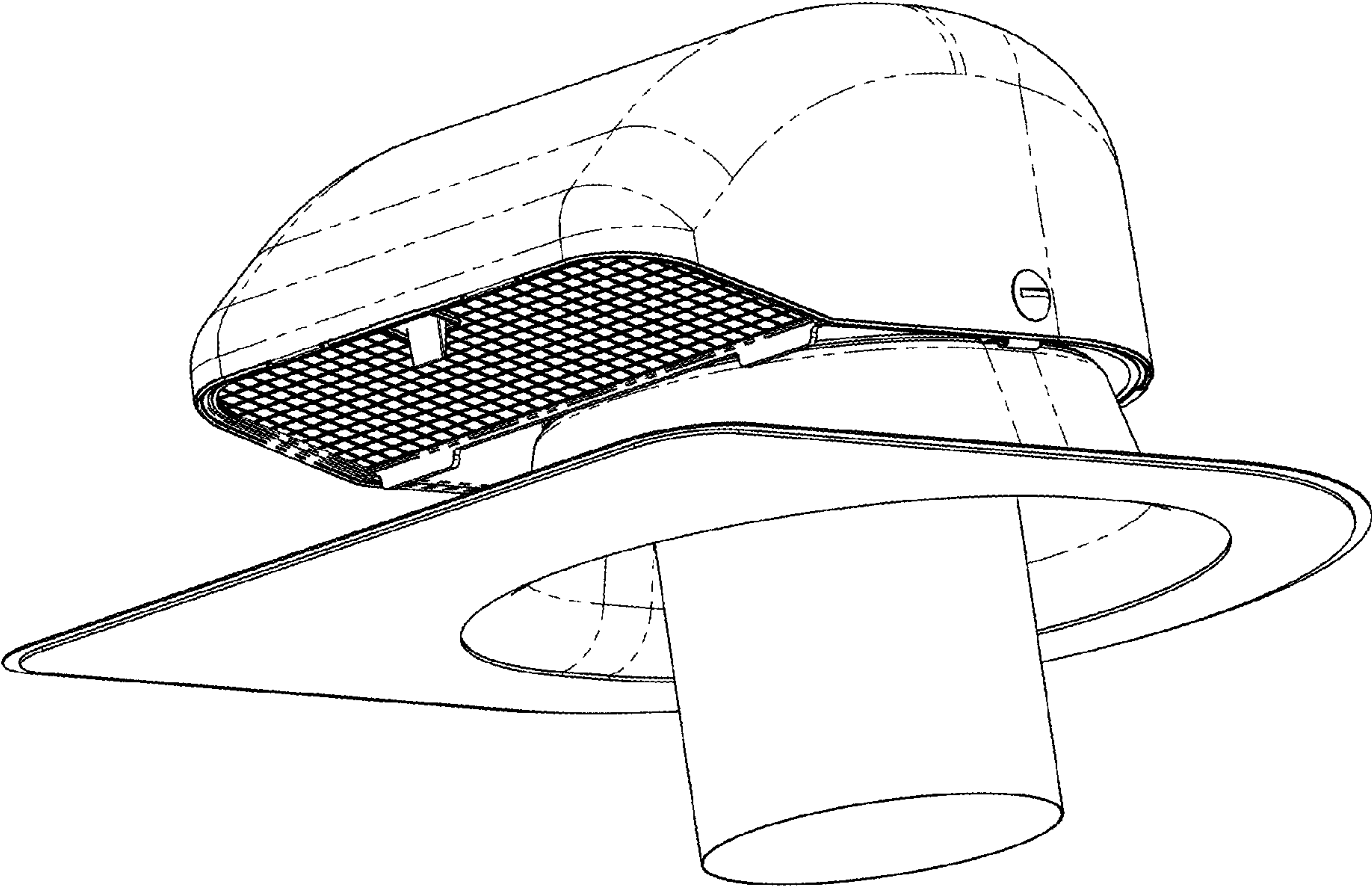


FIG. 2

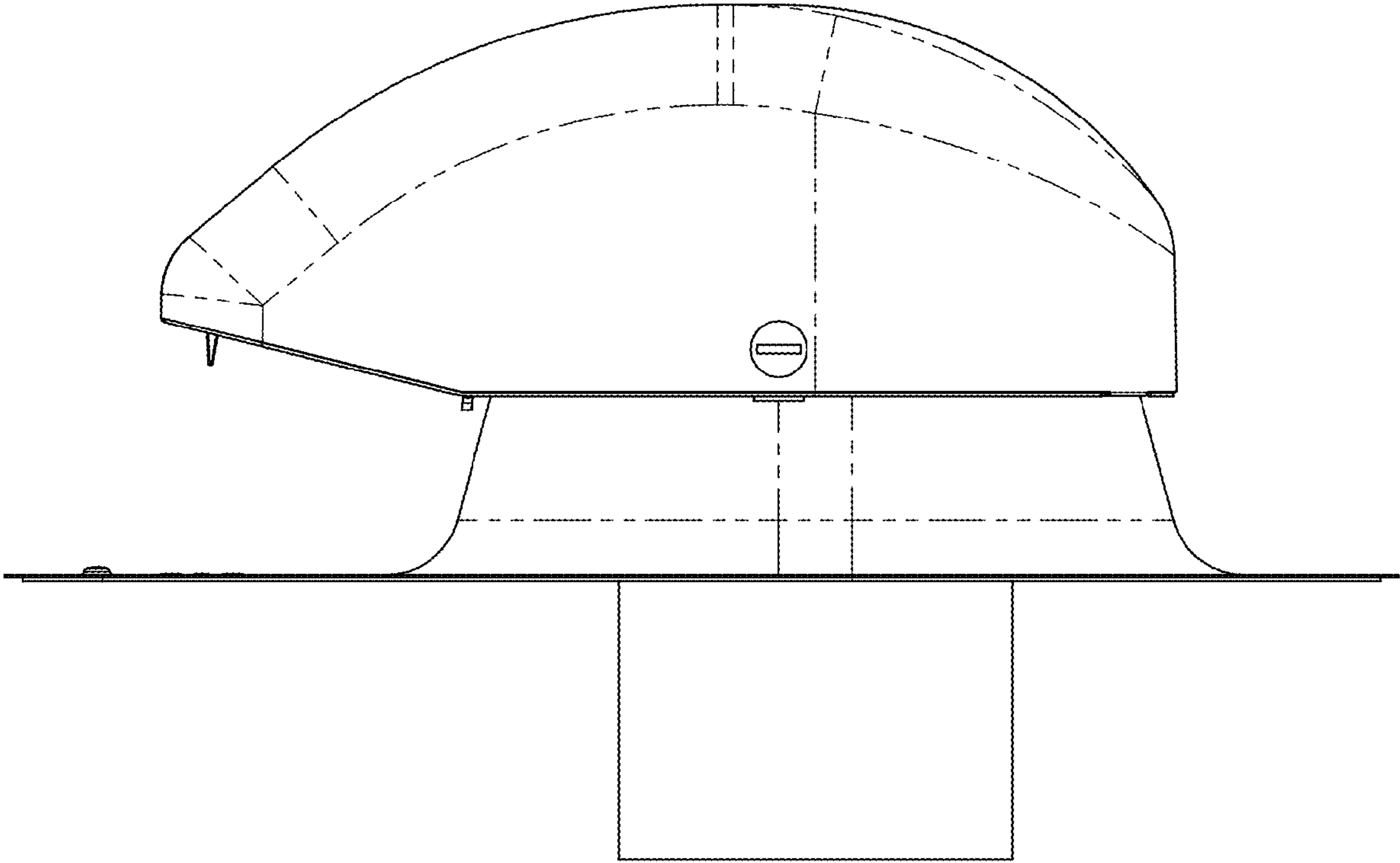


FIG. 3

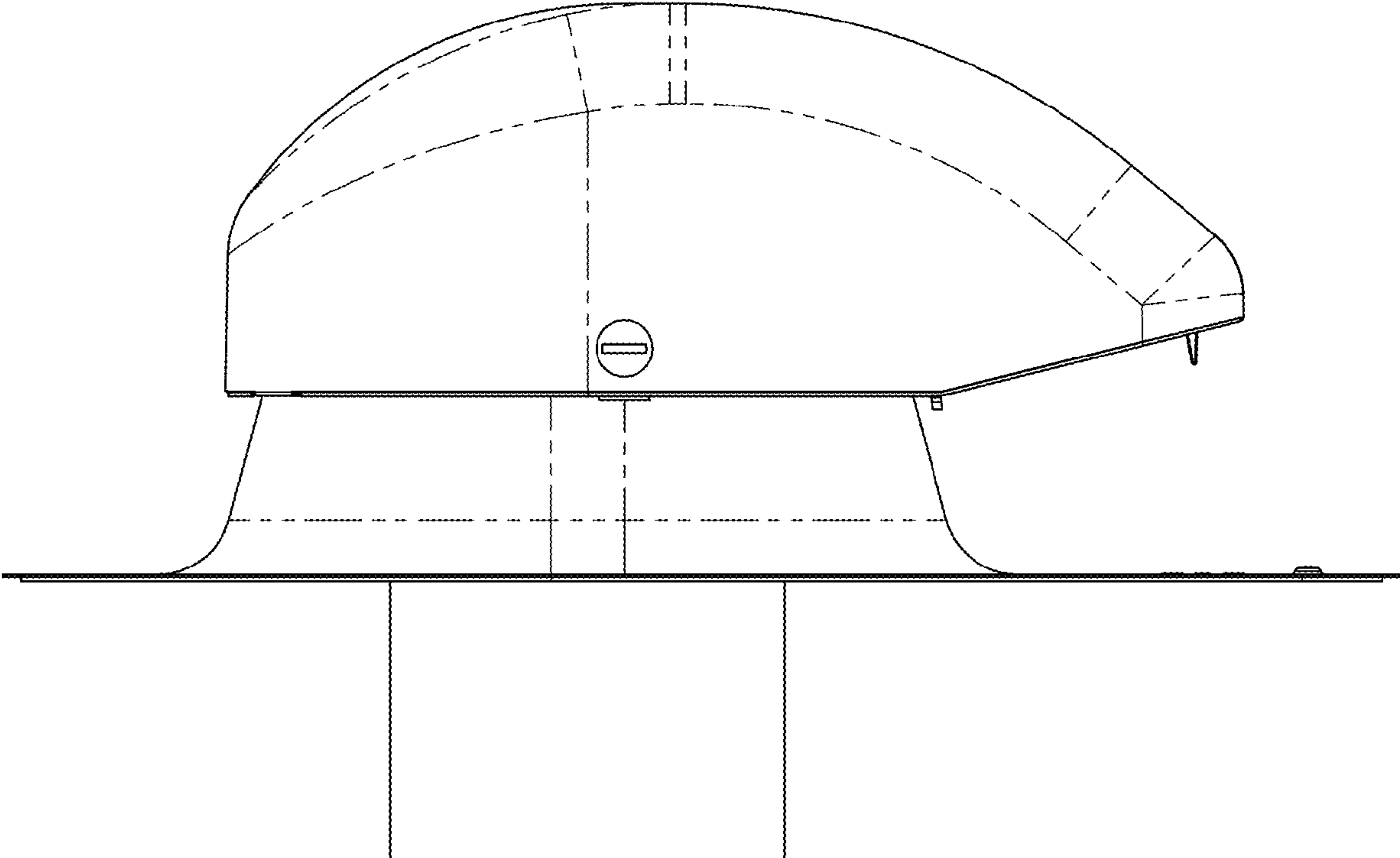


FIG. 4

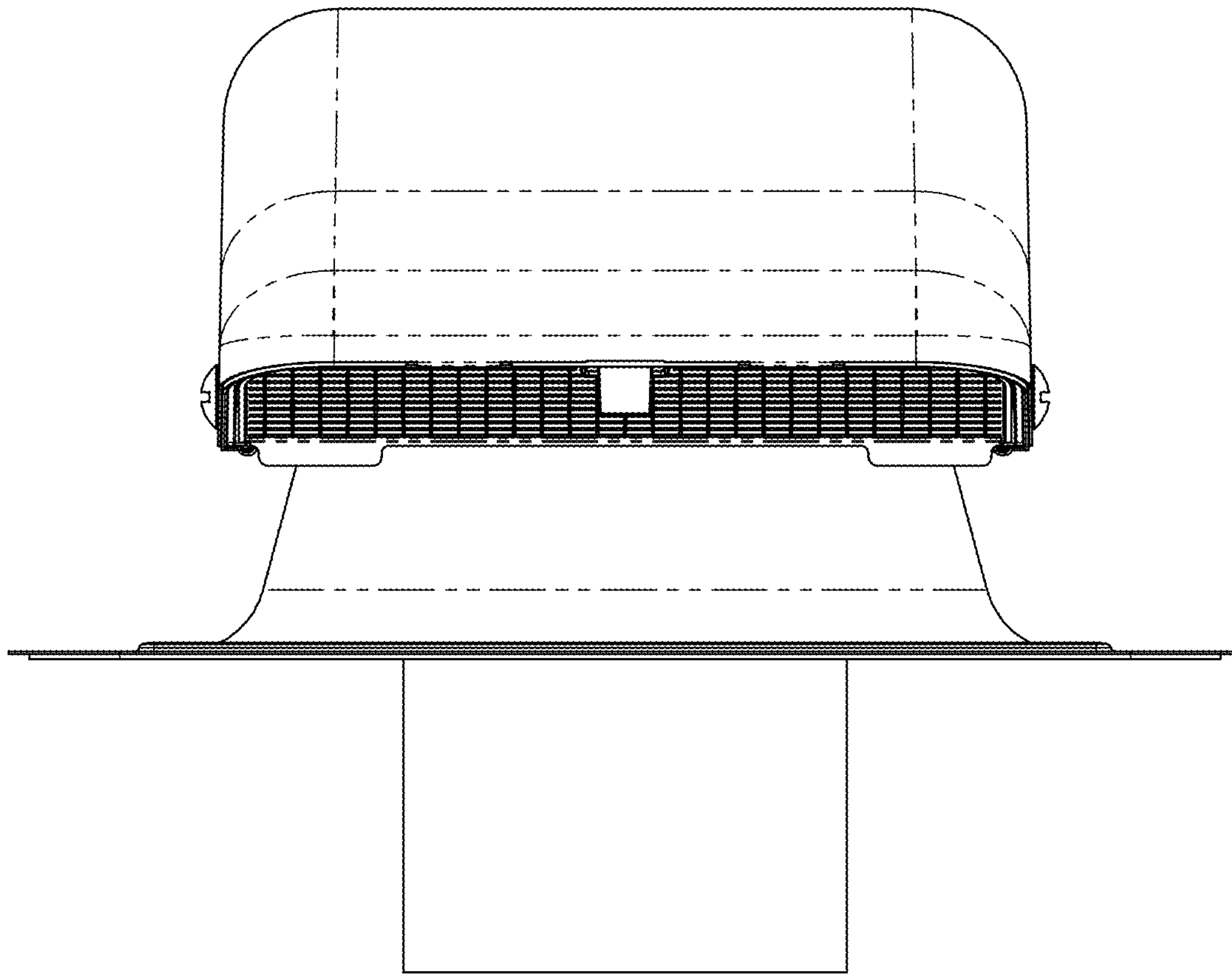


FIG. 5

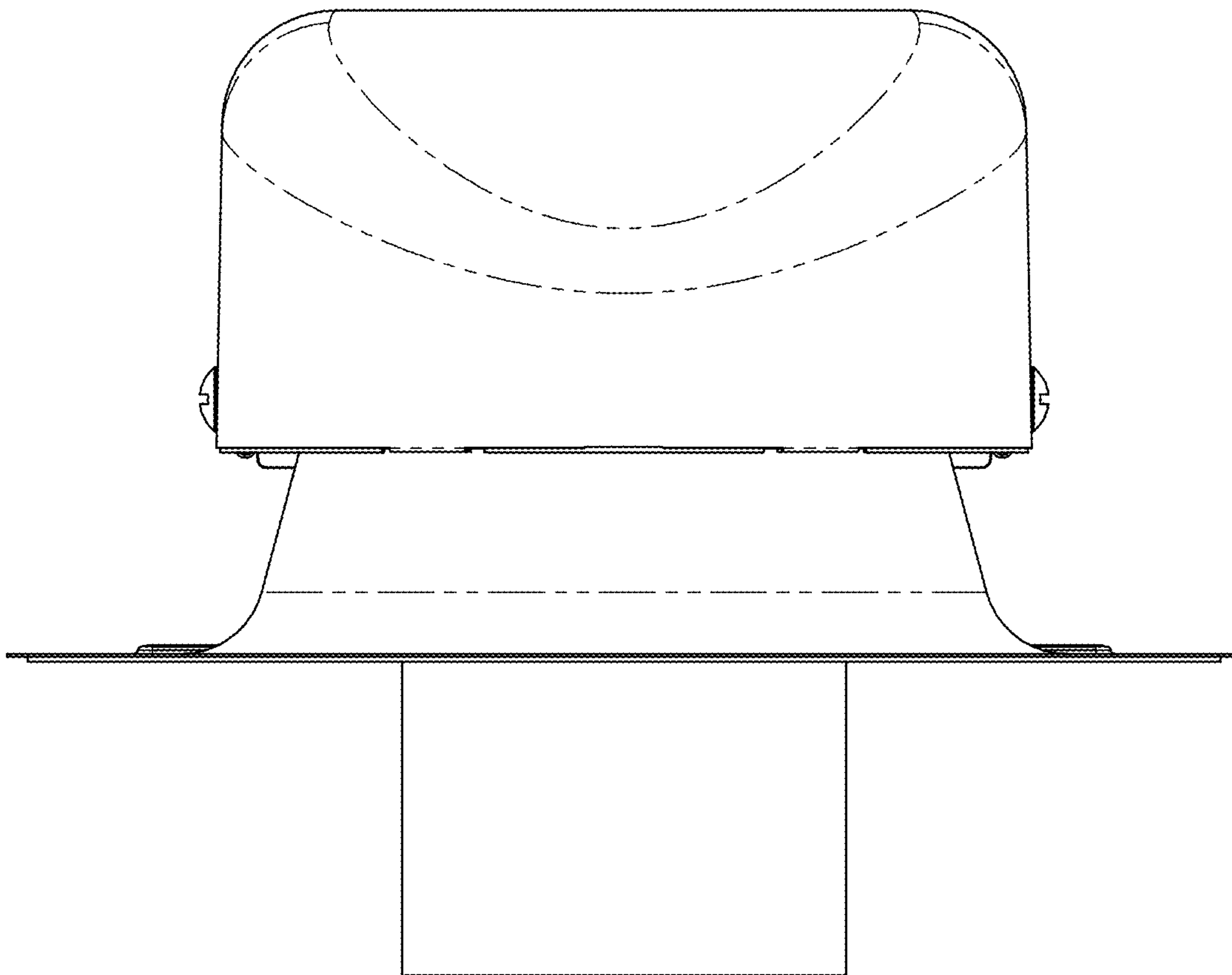


FIG. 6

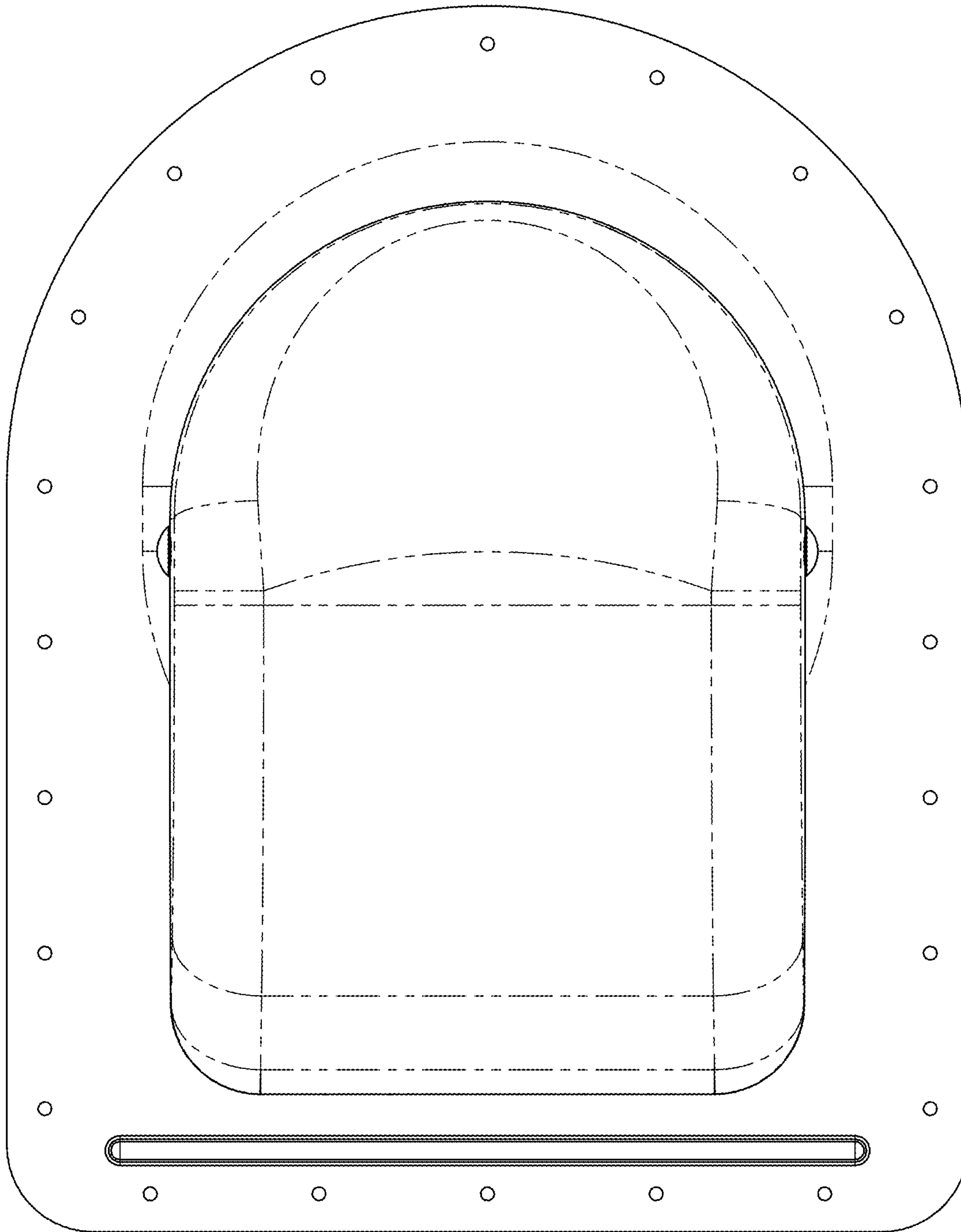


FIG. 7

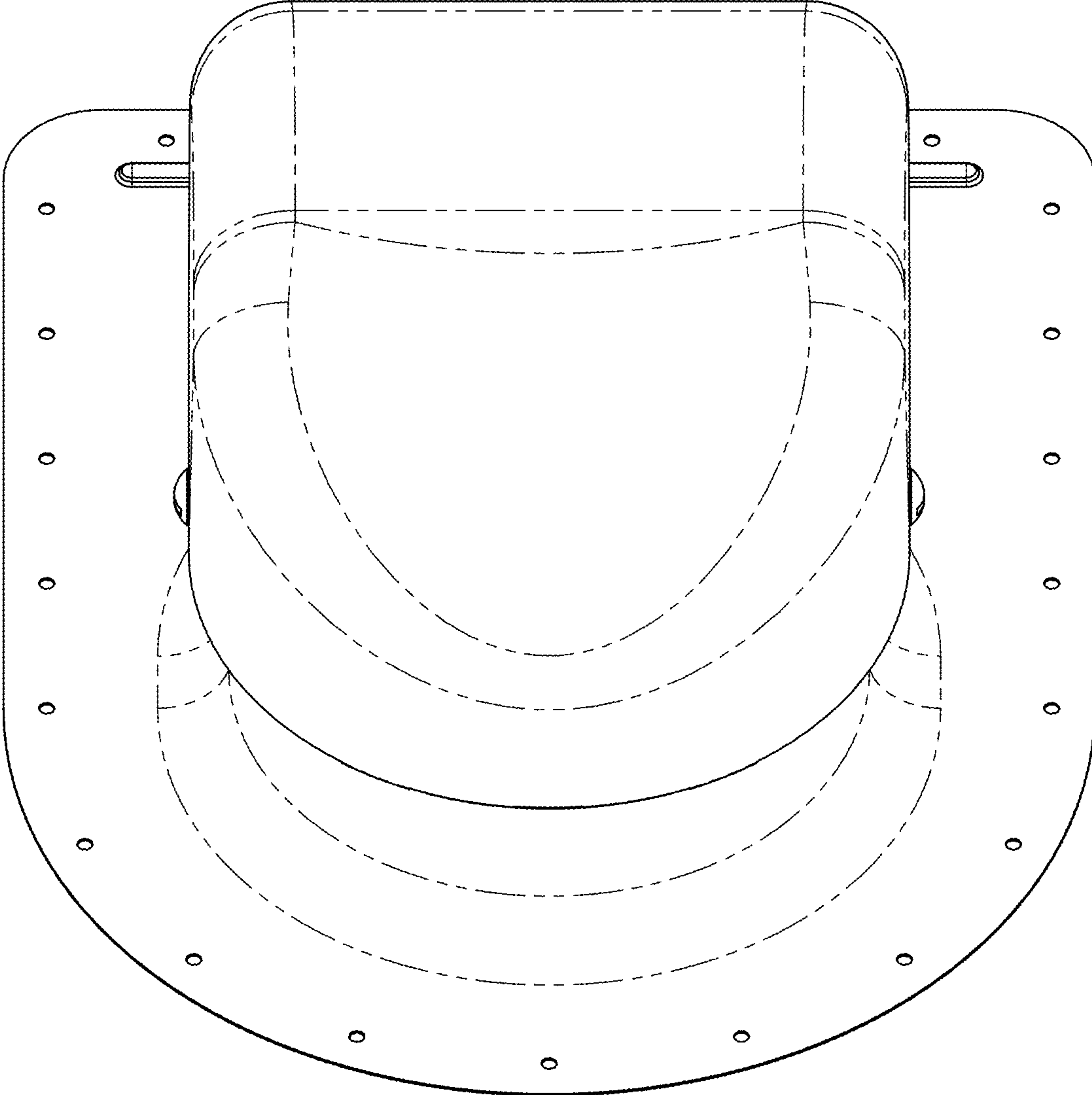


FIG. 8

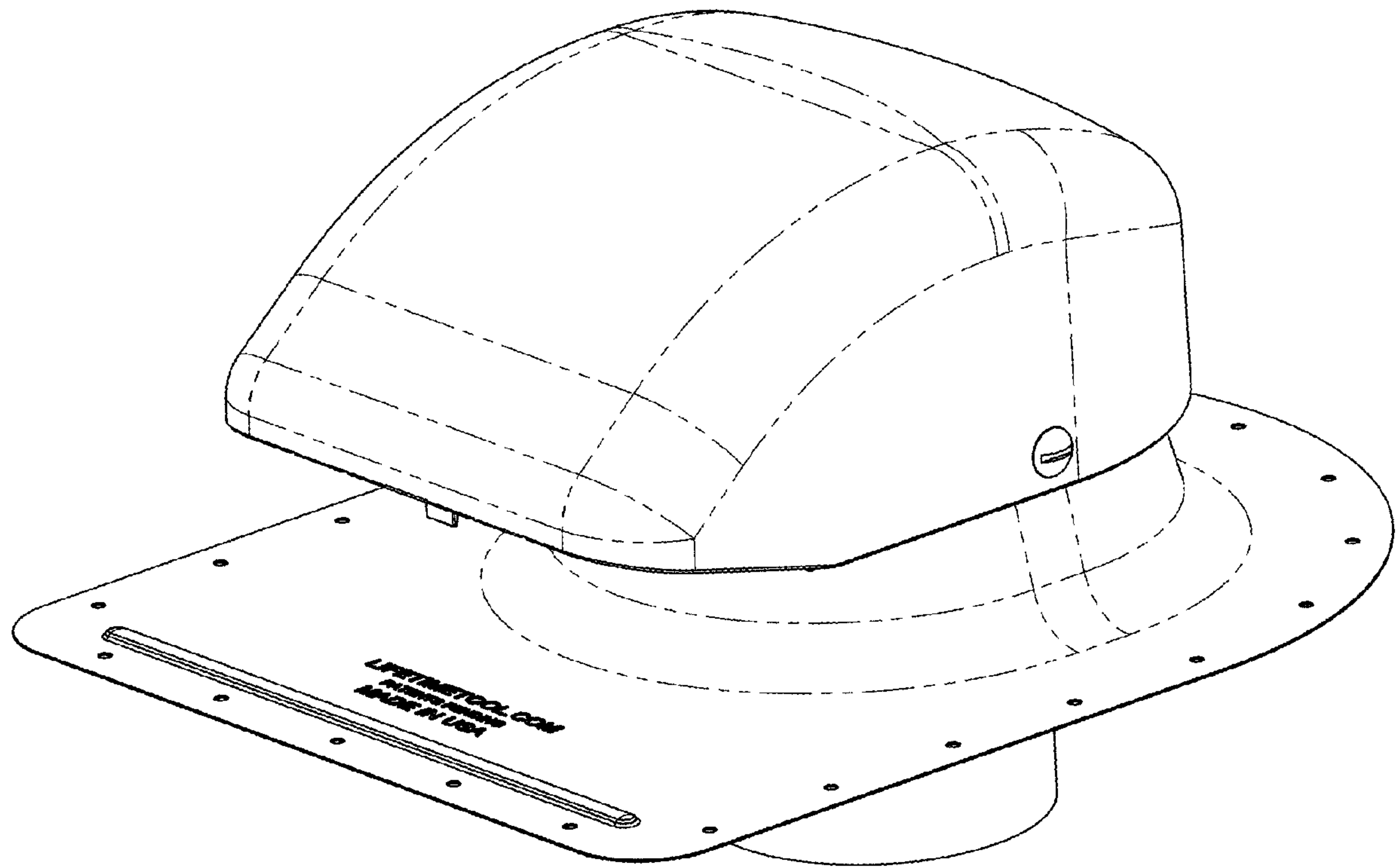


FIG. 9

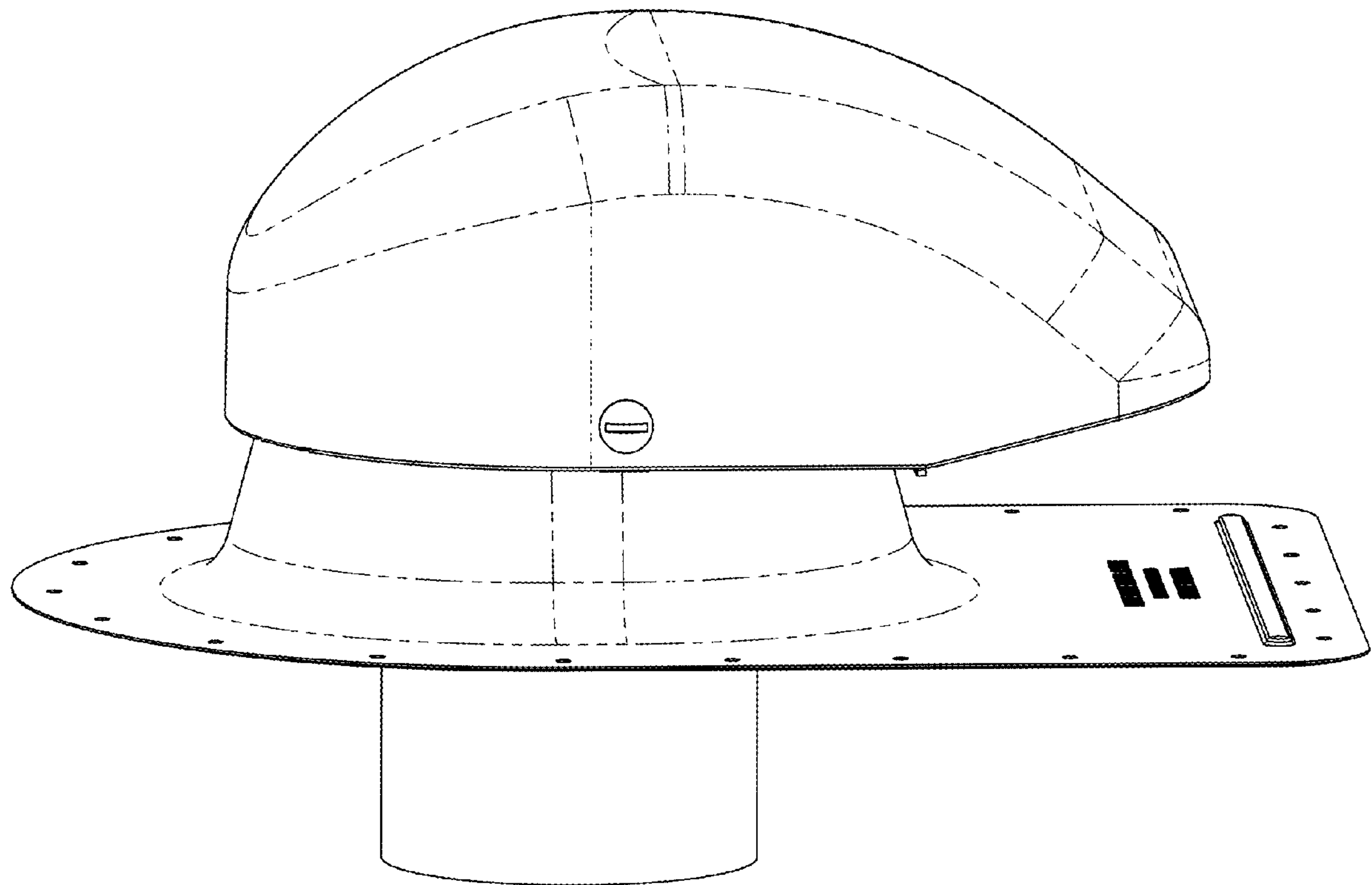


FIG. 10

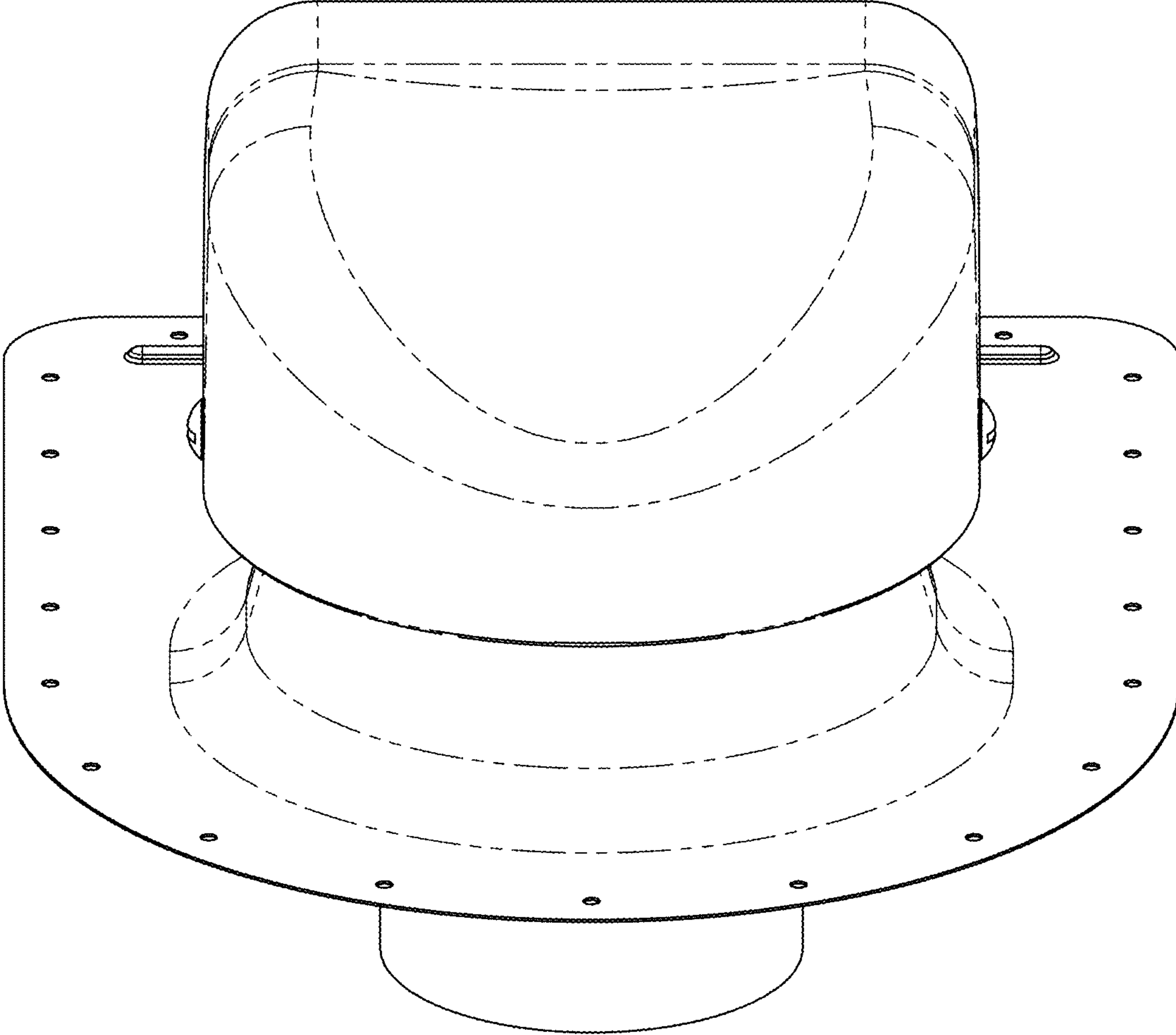


FIG. 11