



US00D934407S

(12) **United States Design Patent** (10) **Patent No.:** **US D934,407 S**
Xiao (45) **Date of Patent:** **** Oct. 26, 2021**

- (54) **DESK FAN**
- (71) Applicant: **Shenzhen Senyuesheng Technology Co., Ltd., Shenzhen (CN)**
- (72) Inventor: **Meifang Xiao, Shenzhen (CN)**
- (73) Assignee: **SHENZHEN SENYUESHENG TECHNOLOGY CO., LTD., Shenzhen (CN)**
- (**) Term: **15 Years**
- (21) Appl. No.: **29/768,884**
- (22) Filed: **Feb. 2, 2021**
- (51) **LOC (13) Cl.** **23-02**
- (52) **U.S. Cl.**
USPC **D23/382**
- (58) **Field of Classification Search**
USPC D23/370, 380, 381, 382, 411
CPC F04D 25/084; F04D 29/601
See application file for complete search history.

- D855,171 S * 7/2019 Xu D23/382
- D881,371 S * 4/2020 Hollinger D23/382
- D884,146 S * 5/2020 Hollinger D23/382
- D886,276 S * 6/2020 Zhu D23/382
- D890,324 S * 7/2020 Xu D23/382
- D898,894 S * 10/2020 Breit D23/382
- D905,843 S * 12/2020 Chen D23/382

OTHER PUBLICATIONS

NuPow Desk Fan, Amazon, Apr. 26, 2021, https://www.amazon.com/NuPow-Portable-Foldaway-Adjustable-540-degree/dp/B092R27HXZ/ref=asc_df_B092R27HXZ/?tag=hyprod-20&linkCode=df0&hvadid=507812214438&hvpos=&hvnetw=g&hvrnd=1477636409850042995&hvpone=&hvptwo=&hvqmt=&hvdev=c&hvdvcmdl=&hvlocint=&hvlcophy=9008124&hv (Year: 2021).*

* cited by examiner

Primary Examiner — Janice Hallmark

(57) **CLAIM**

The ornamental design for a desk fan, as shown and described.

DESCRIPTION

FIG. 1 is a perspective view of a desk fan showing my new design;
FIG. 2 is another perspective view thereof;
FIG. 3 is a front elevational view thereof;
FIG. 4 is a rear elevational view thereof;
FIG. 5 is a left side elevational view thereof;
FIG. 6 is a right side elevational view thereof;
FIG. 7 is a top plan view thereof;
FIG. 8 is a bottom plan view thereof; and,
FIG. 9 is a perspective view of the desk fan where the desk fan is in a configuration of use.
The broken lines in the drawings depict portions of the desk fan that form no part of the claimed design.

1 Claim, 9 Drawing Sheets

- (56) **References Cited**
U.S. PATENT DOCUMENTS
- D387,153 S * 12/1997 Fok D23/332
- D449,373 S * 10/2001 Pinchuk D23/382
- D510,994 S * 10/2005 Indio Da Costa D23/382
- D674,476 S * 1/2013 Junkel D23/370
- D684,249 S * 6/2013 Herbst D23/370
- D689,599 S * 9/2013 Herbst D23/382
- D721,431 S * 1/2015 Herbst D23/382
- D727,488 S 4/2015 Hsu
- D750,212 S 2/2016 Herbst
- D807,487 S * 1/2018 Delerue D23/382
- D824,012 S * 7/2018 Xu D23/382
- D825,048 S * 8/2018 Breit D23/382
- D841,796 S * 2/2019 Freeland D23/382
- D847,573 S * 5/2019 Xu D7/507

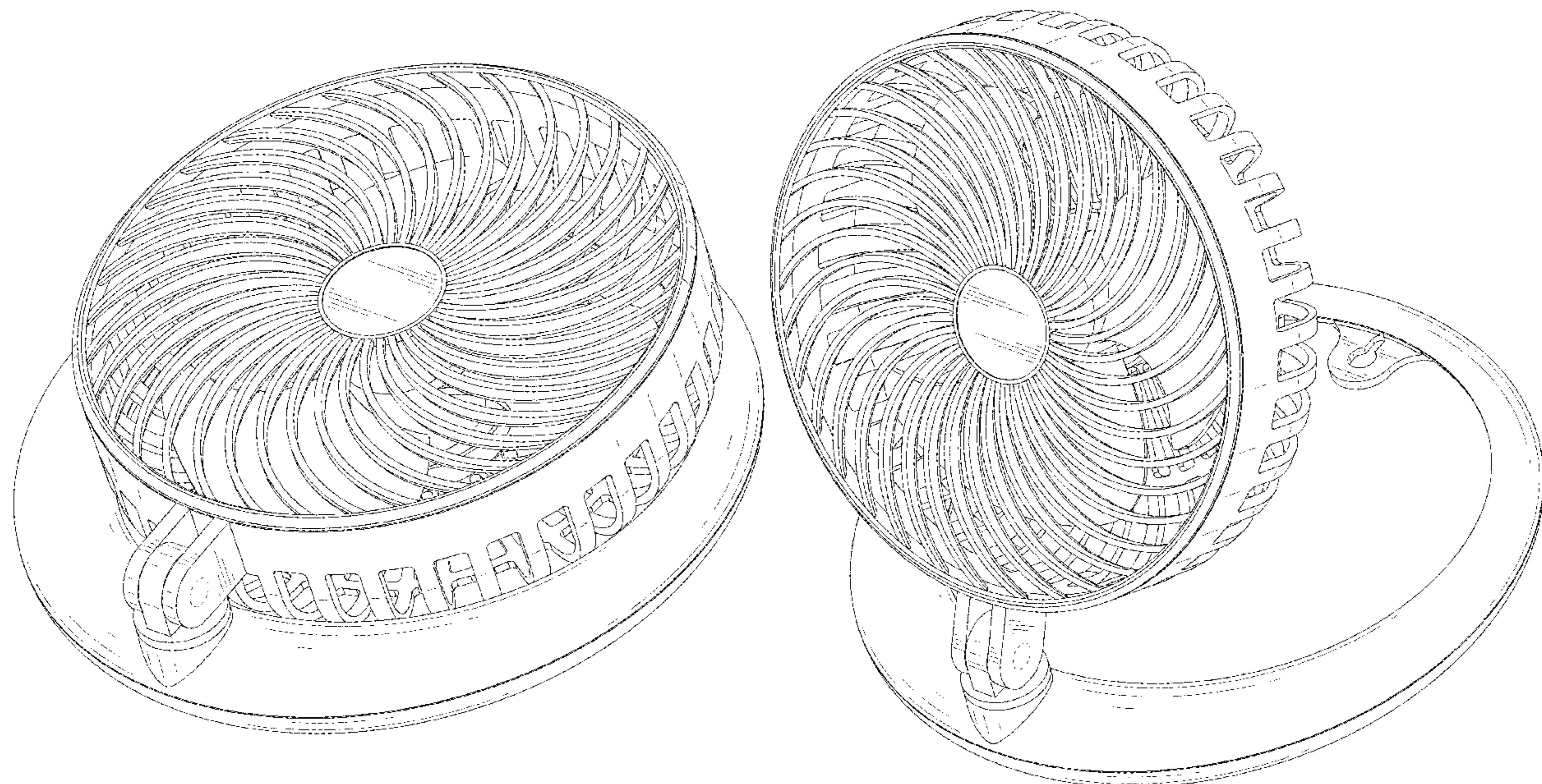




FIG. 1

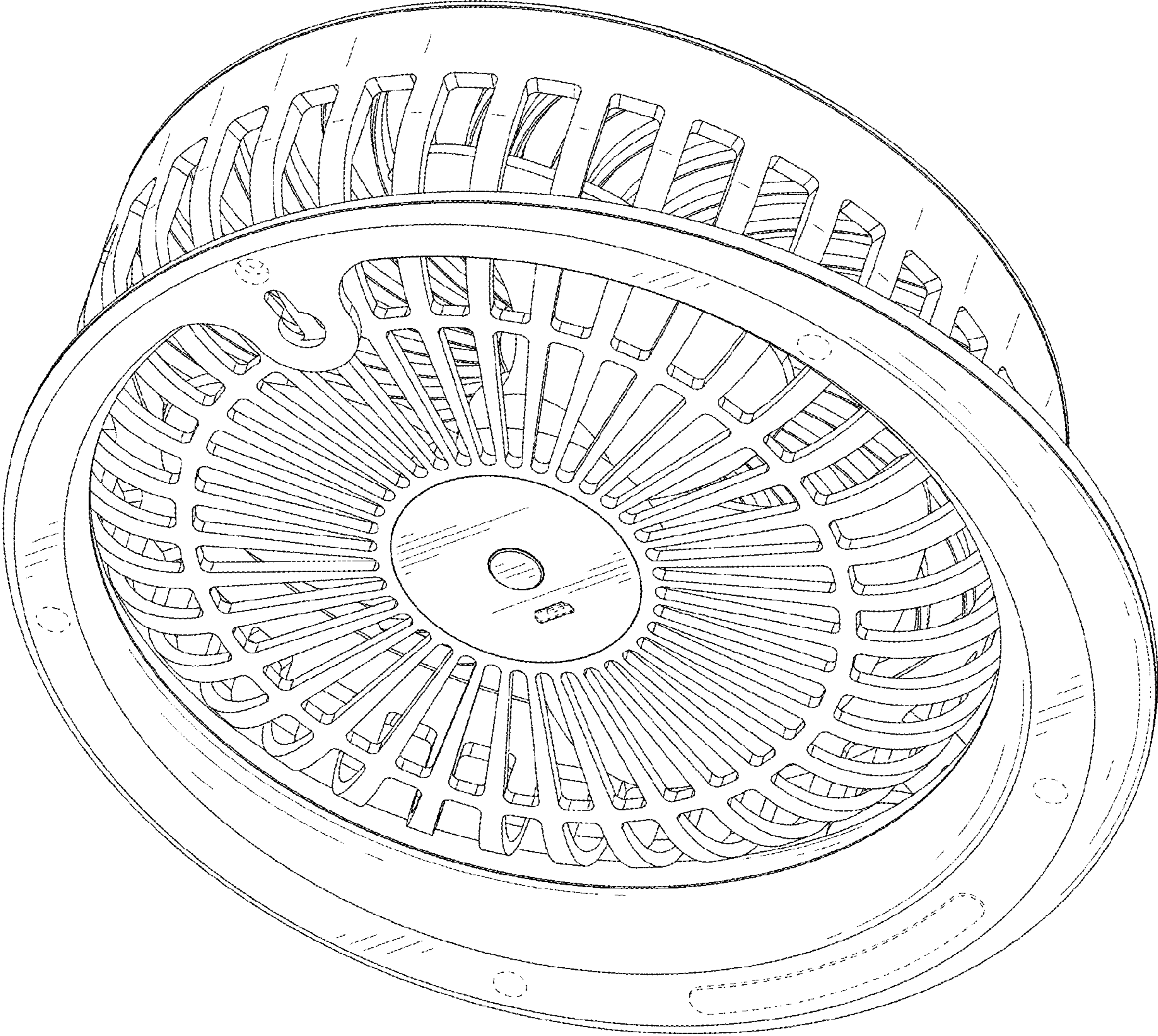


FIG. 2

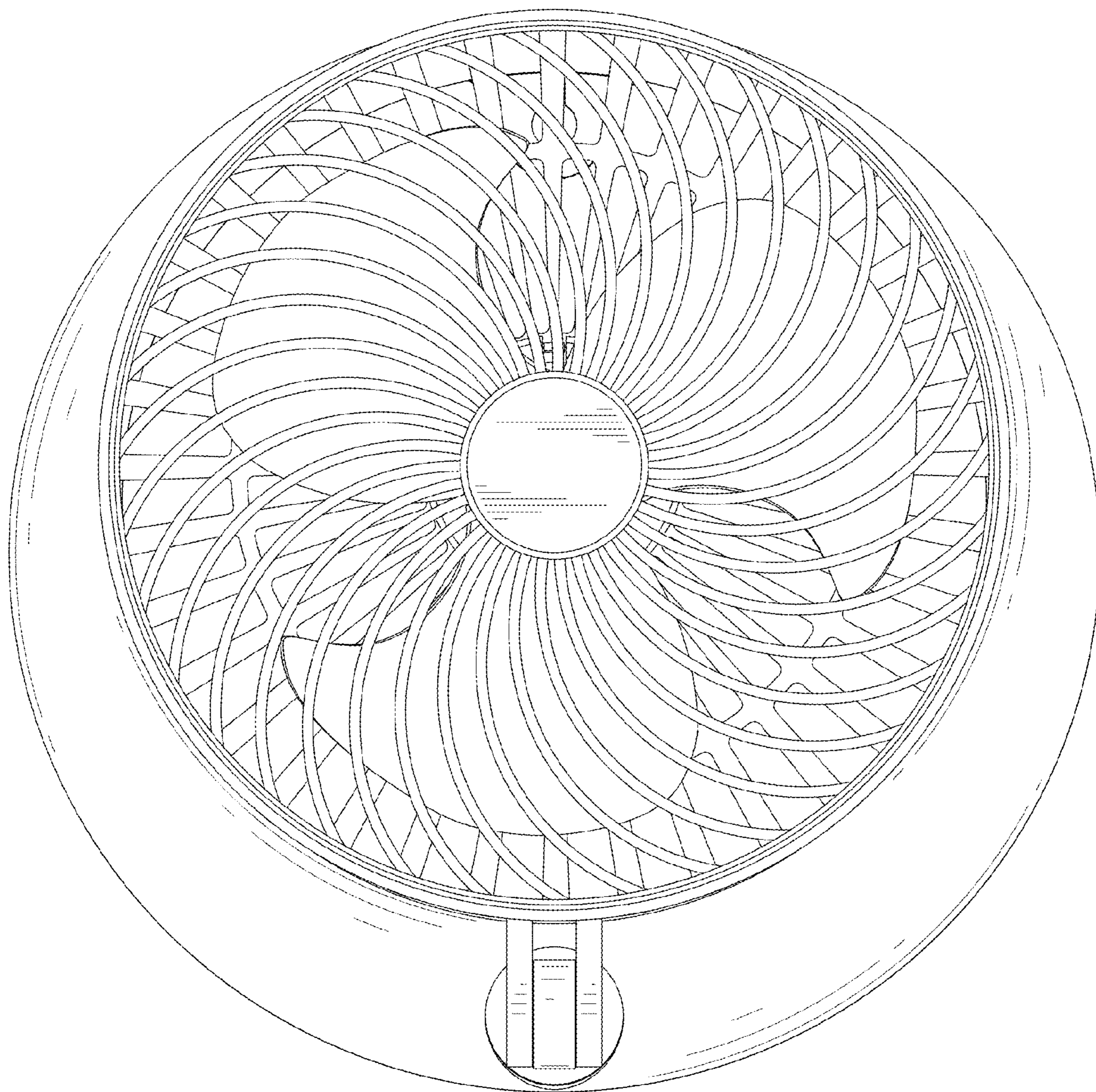


FIG. 3

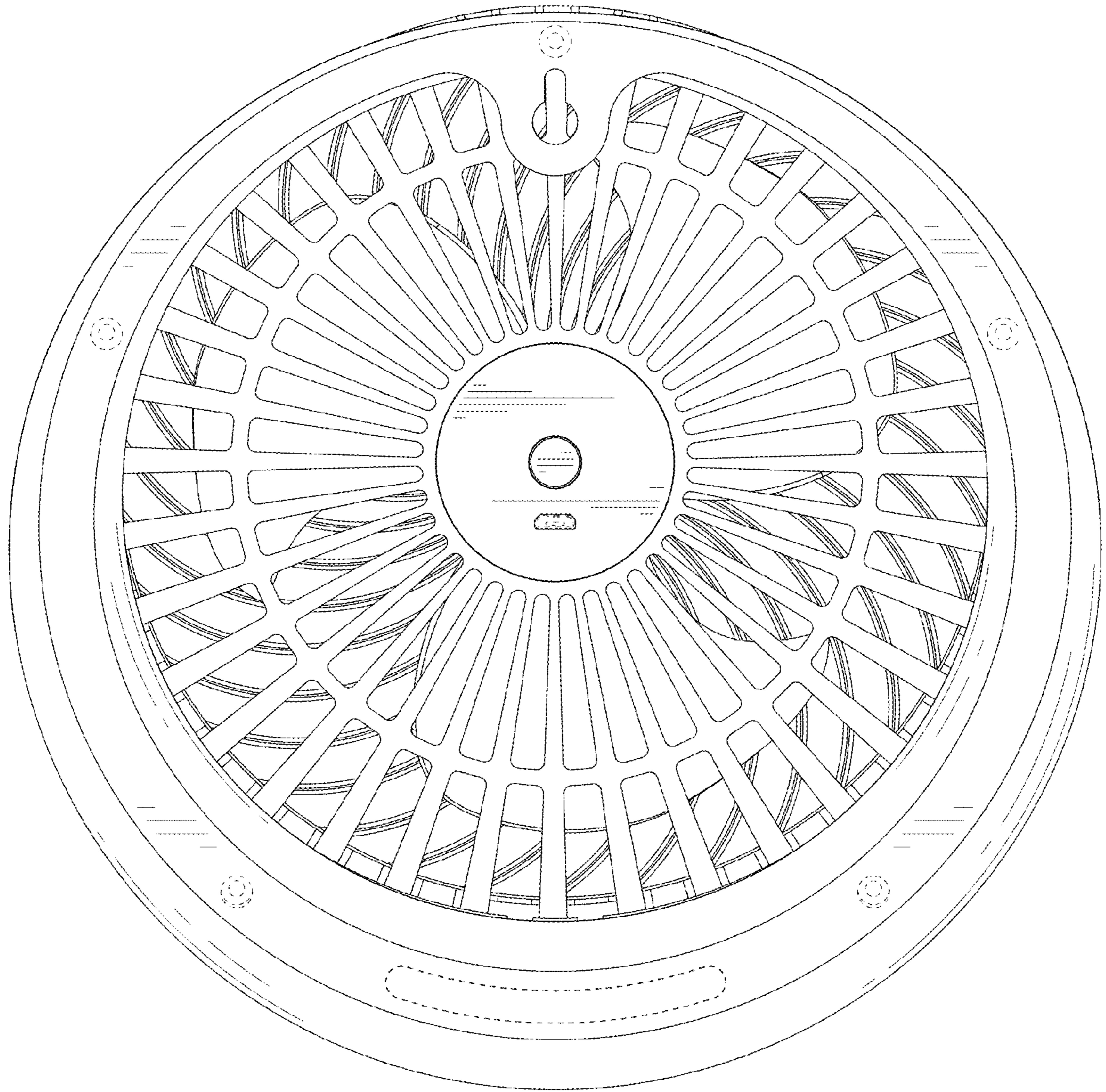


FIG. 4

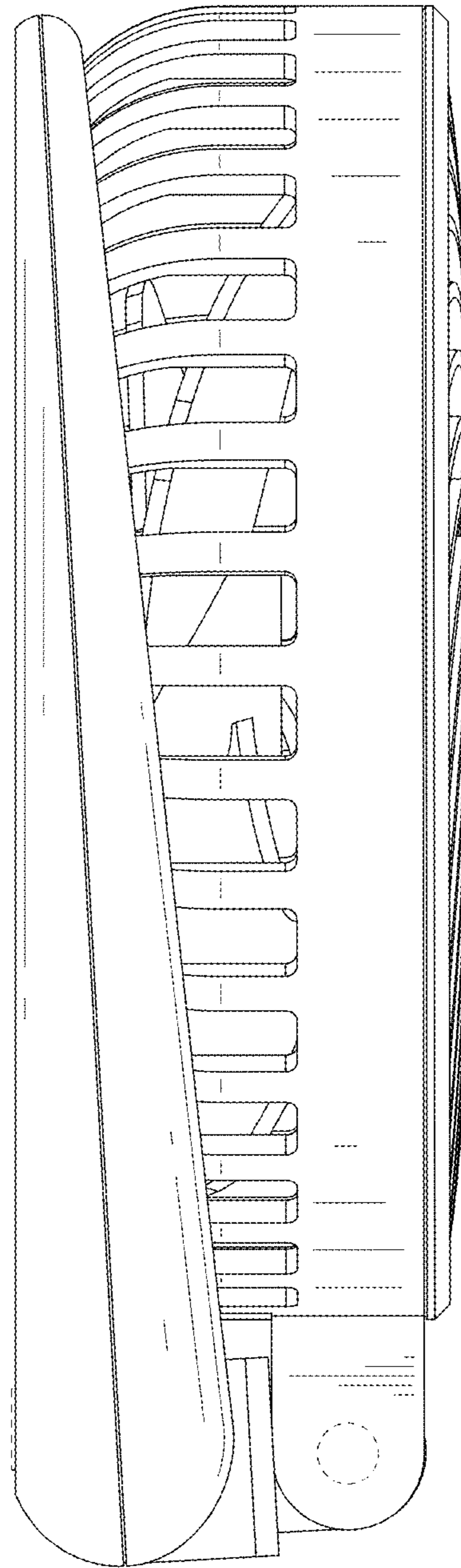


FIG. 5

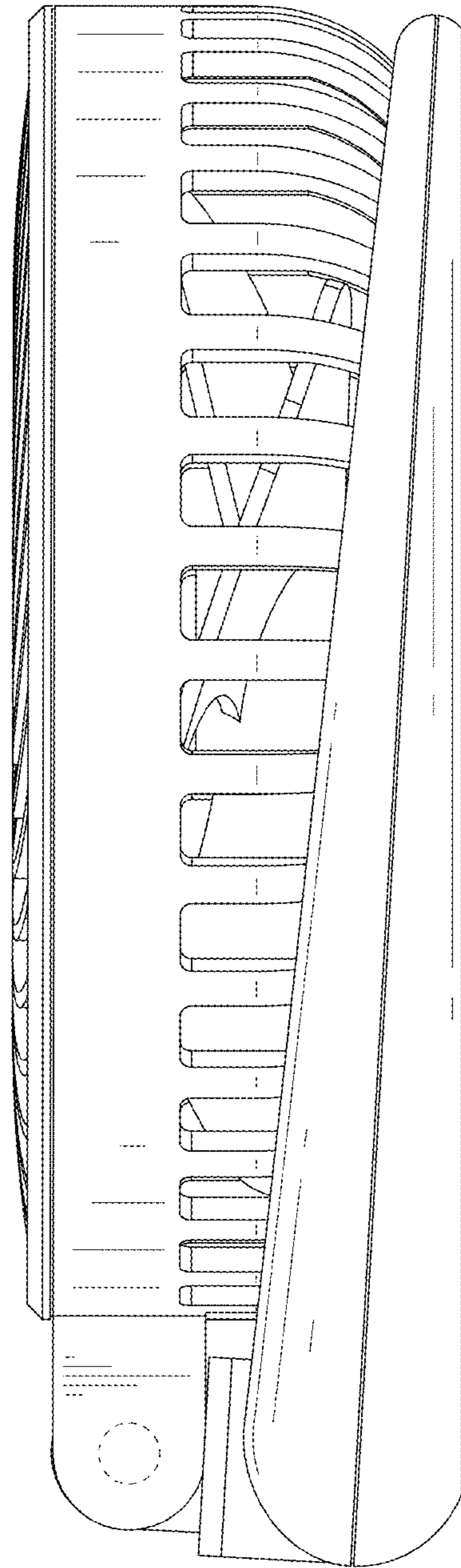


FIG. 6

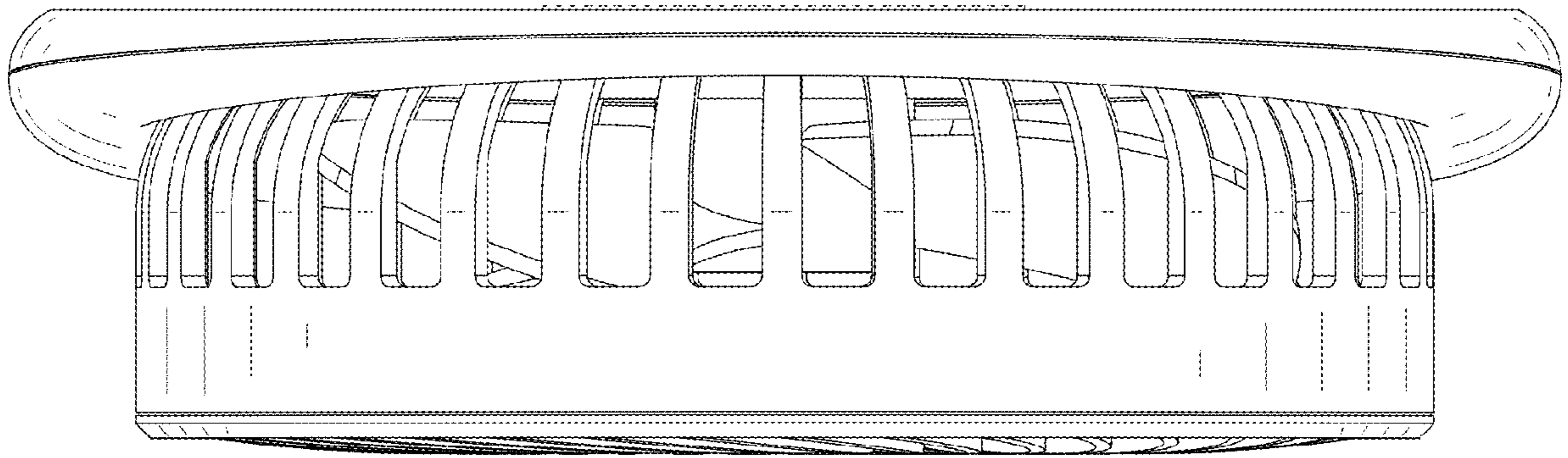


FIG. 7

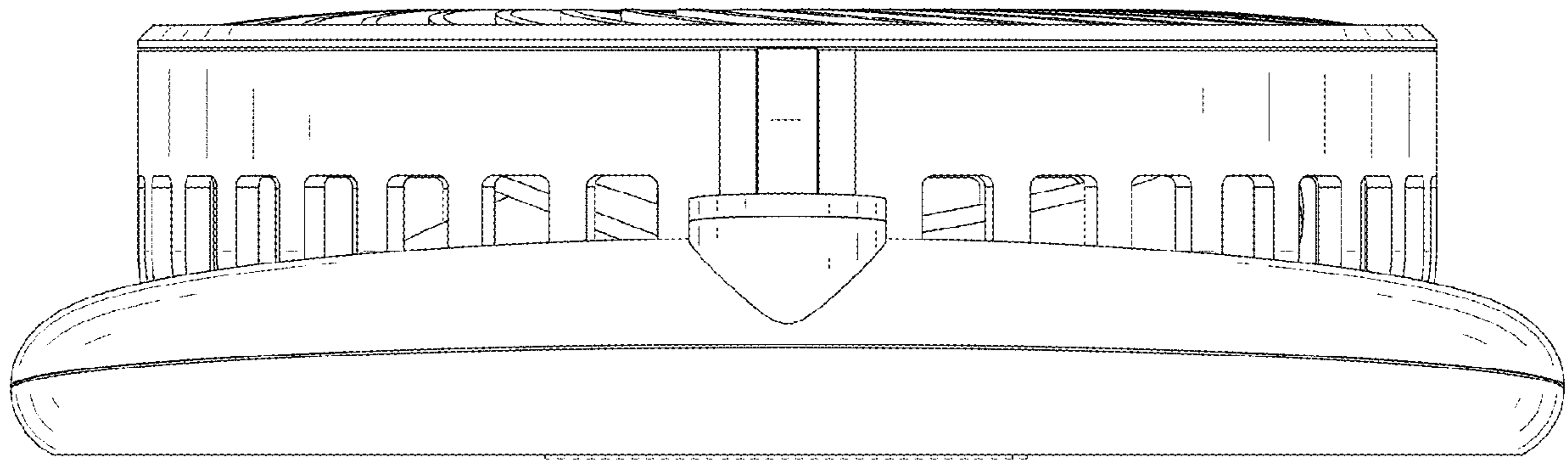


FIG. 8

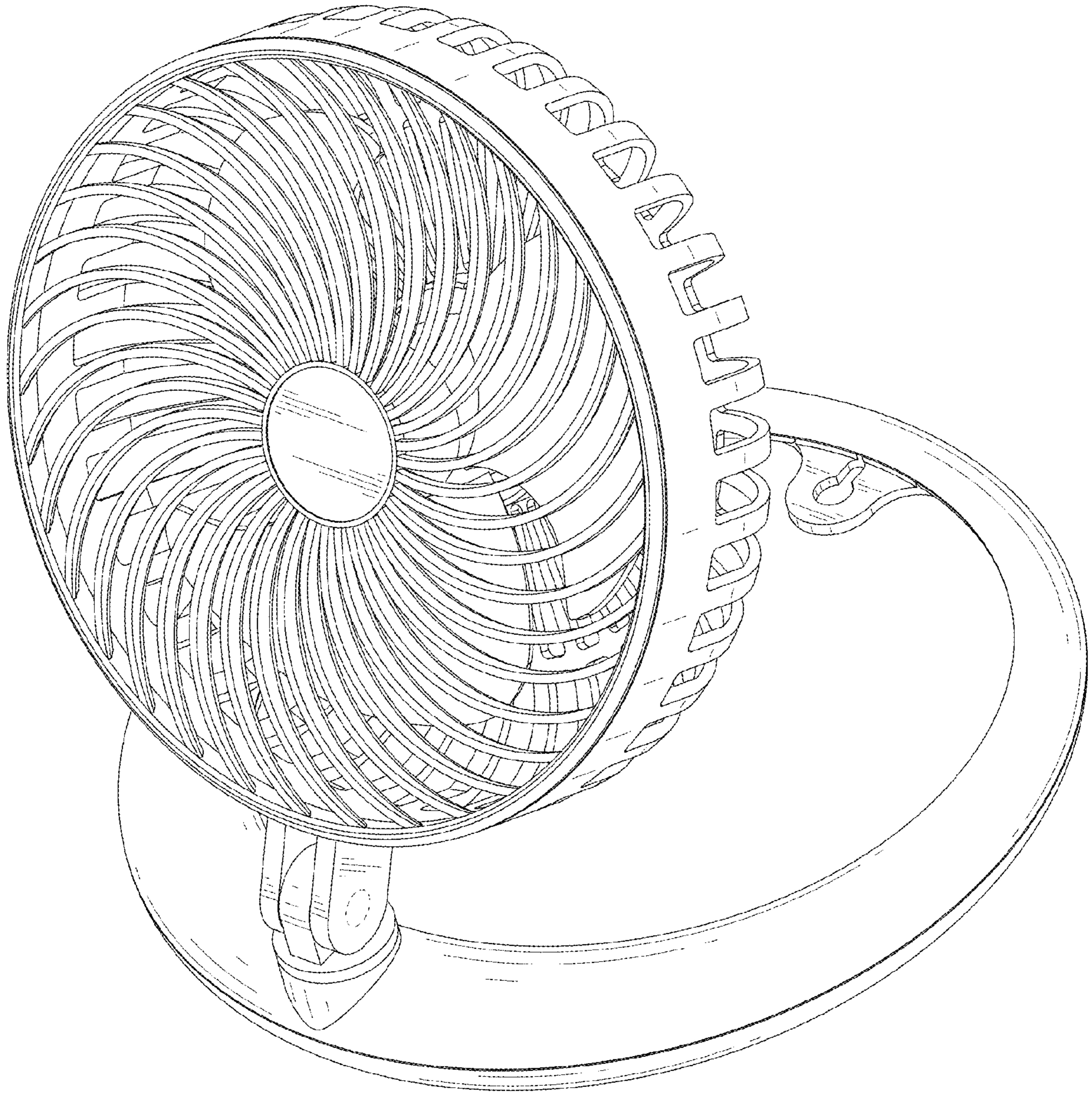


FIG. 9