



US00D934406S

(12) **United States Design Patent**  
**Williams**

(10) **Patent No.:** **US D934,406 S**

(45) **Date of Patent:** **\*\* Oct. 26, 2021**

- (54) **FAN FOR AN EXERCISE BIKE**
- (71) Applicant: **Myron Williams**, Atlanta, GA (US)
- (72) Inventor: **Myron Williams**, Atlanta, GA (US)
- (\*\*) Term: **15 Years**
- (21) Appl. No.: **29/711,653**
- (22) Filed: **Nov. 1, 2019**
- (51) **LOC (13) Cl.** ..... **23-04**
- (52) **U.S. Cl.**  
USPC ..... **D23/380**
- (58) **Field of Classification Search**  
USPC ..... D23/328, 332, 333, 370, 379-383, 385,  
D23/335-337, 341, 351, 352, 354,  
D23/411-414; D21/694  
CPC ... F04D 25/084; F04D 25/086; F24F 2221/08  
See application file for complete search history.

D699,832 S \* 2/2014 Lim ..... D23/379  
 2010/0227542 A1\* 9/2010 Goldmann ..... F24F 13/06  
 454/258  
 2011/0065371 A1\* 3/2011 Leff ..... F24F 1/0007  
 454/237

\* cited by examiner

*Primary Examiner* — Lilyana Bekic  
*Assistant Examiner* — Sharon S Oum  
 (74) *Attorney, Agent, or Firm* — Westerman, Hattori,  
 Daniels & Adrian, LLP

(57) **CLAIM**

The ornamental design for a fan for an exercise bike, as shown and described.

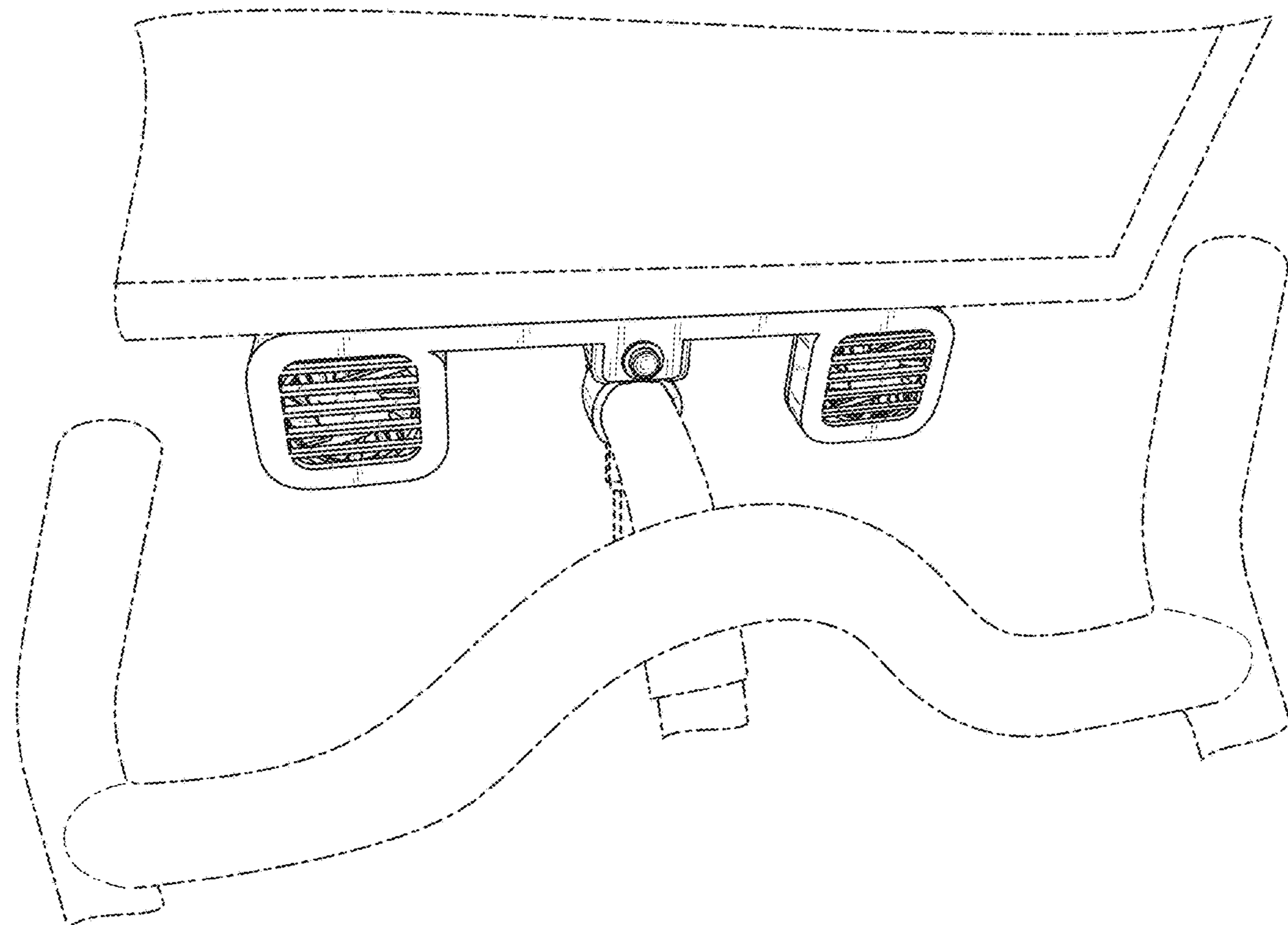
**DESCRIPTION**

FIG. 1 is a front view of the fan for an exercise bike;  
 FIG. 2 is a rear view thereof;  
 FIG. 3 is a right side view thereof;  
 FIG. 4 is a left side view thereof;  
 FIG. 5 is a top view thereof;  
 FIG. 6 is a bottom view thereof; and,  
 FIG. 7 is a perspective view thereof, shown in environmental structure.

The broken lines in the figures illustrate portions of the fan for an exercise bike and environmental structure. None of the broken lines form part of the claimed design.

**1 Claim, 7 Drawing Sheets**

- (56) **References Cited**  
U.S. PATENT DOCUMENTS  
D101,740 S \* 10/1936 Kirsch ..... D23/380  
6,321,034 B2 \* 11/2001 Jones-Lawlor ..... F04D 25/105  
392/367  
D510,764 S \* 10/2005 Matson ..... D23/379  
D582,539 S \* 12/2008 Hsu ..... D23/380  
D591,842 S \* 5/2009 Young ..... D23/380



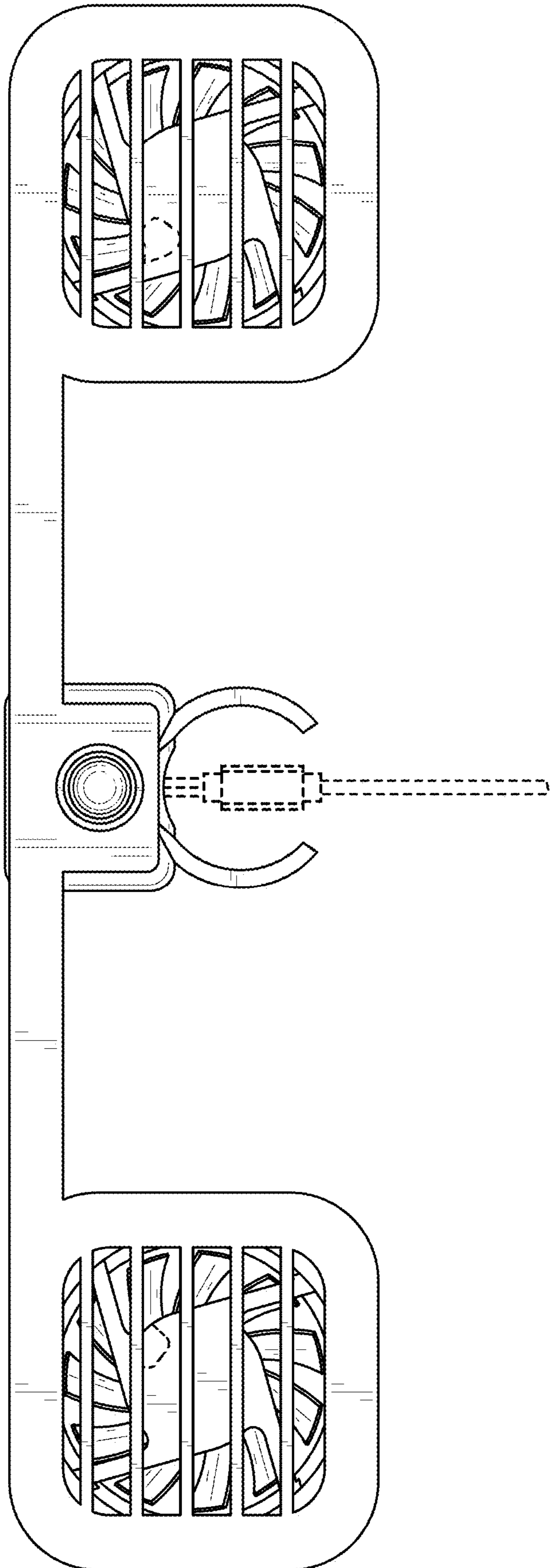


FIG. 1

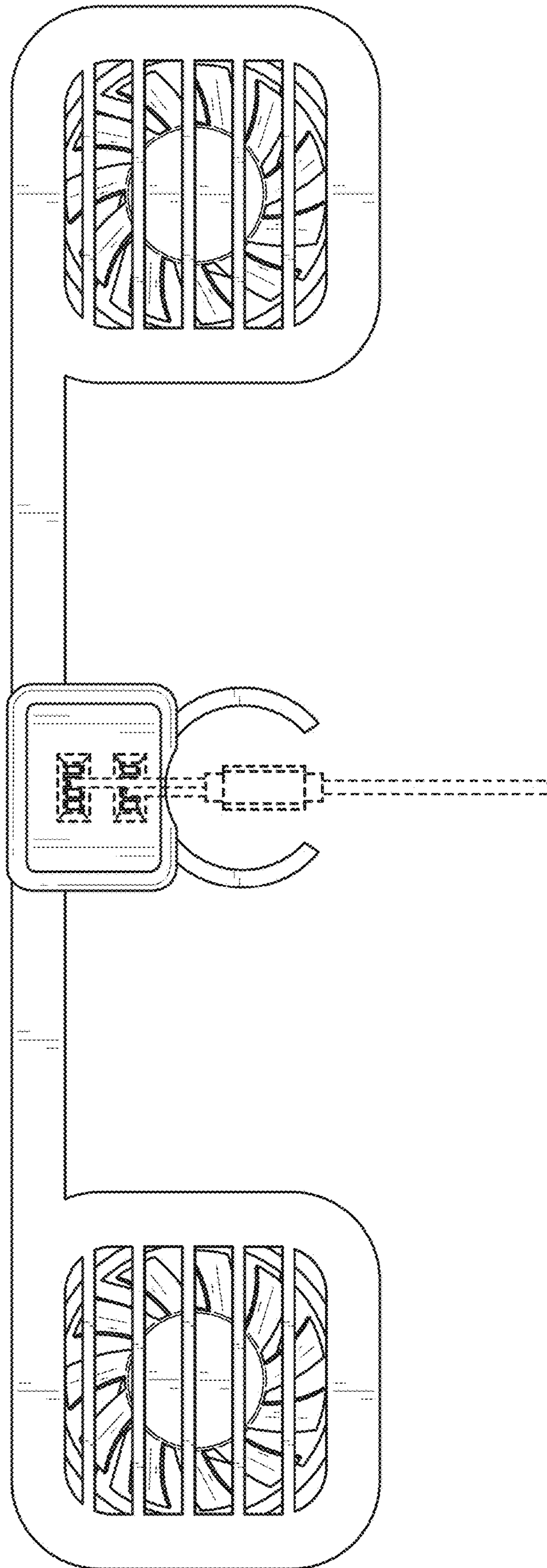


FIG. 2

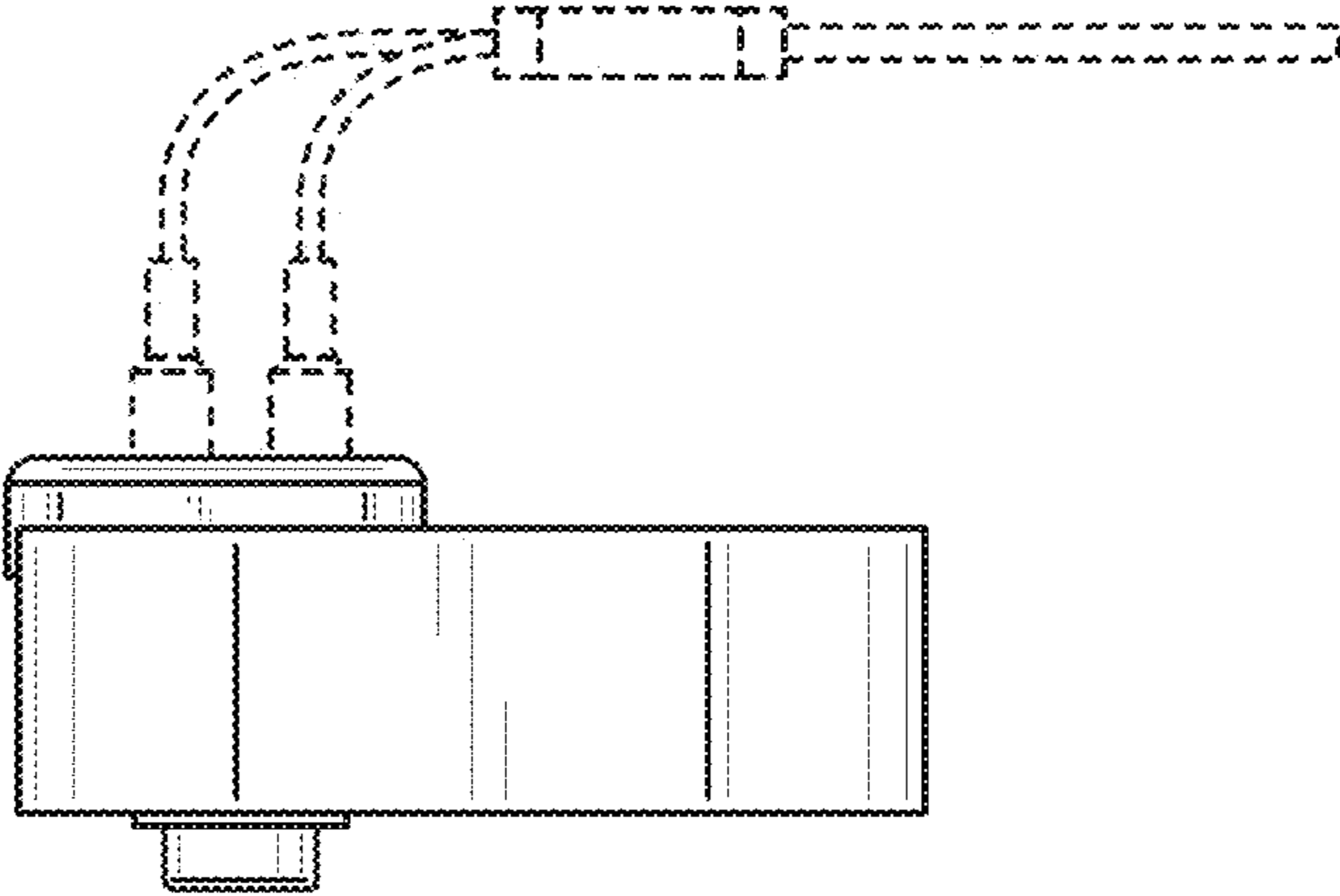


FIG. 3

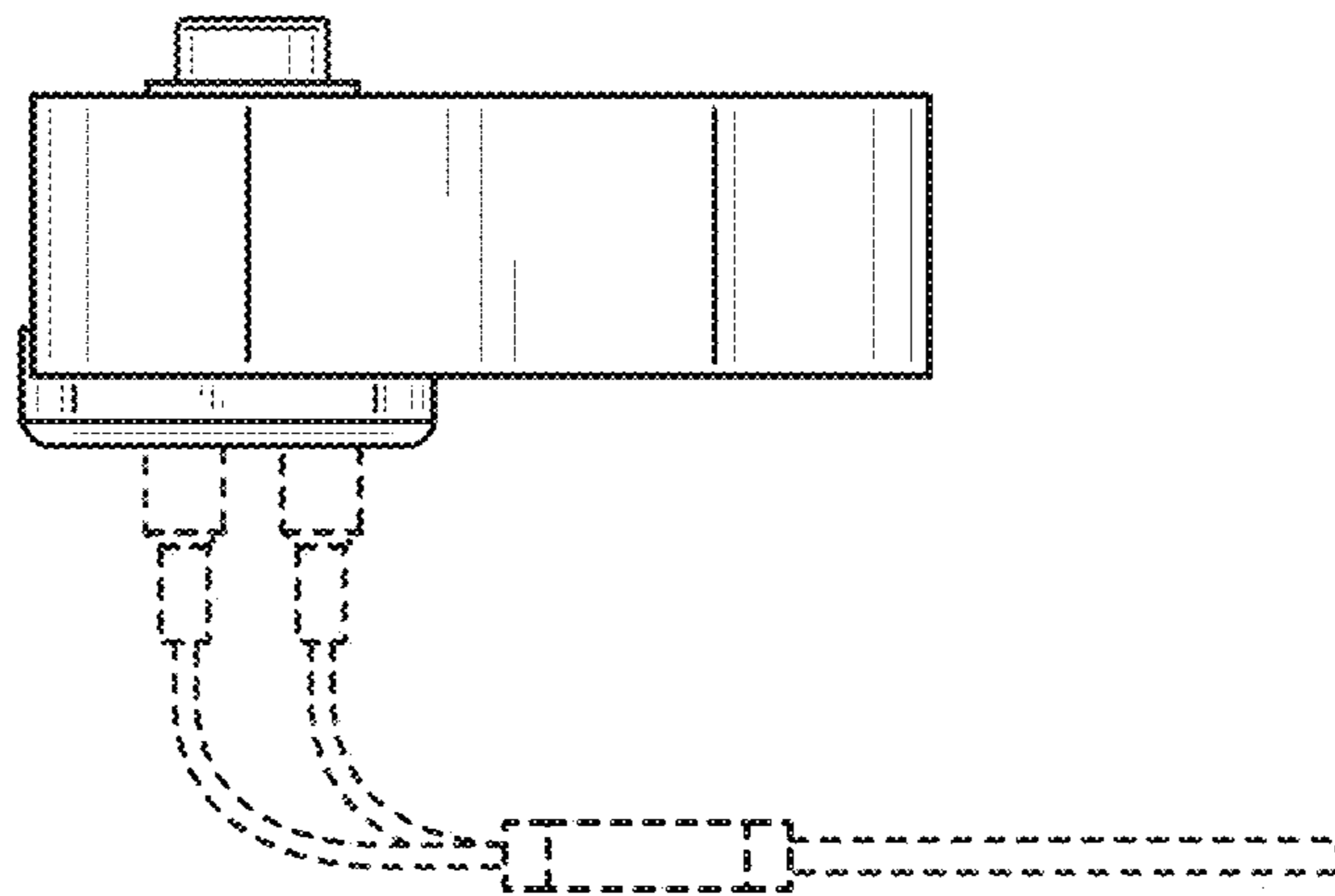


FIG. 4

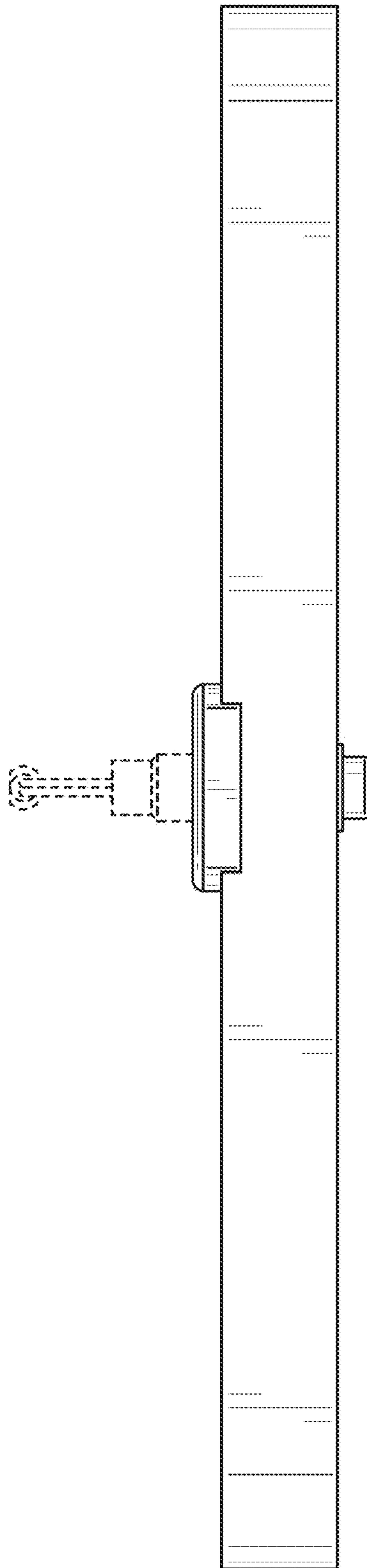


FIG. 5

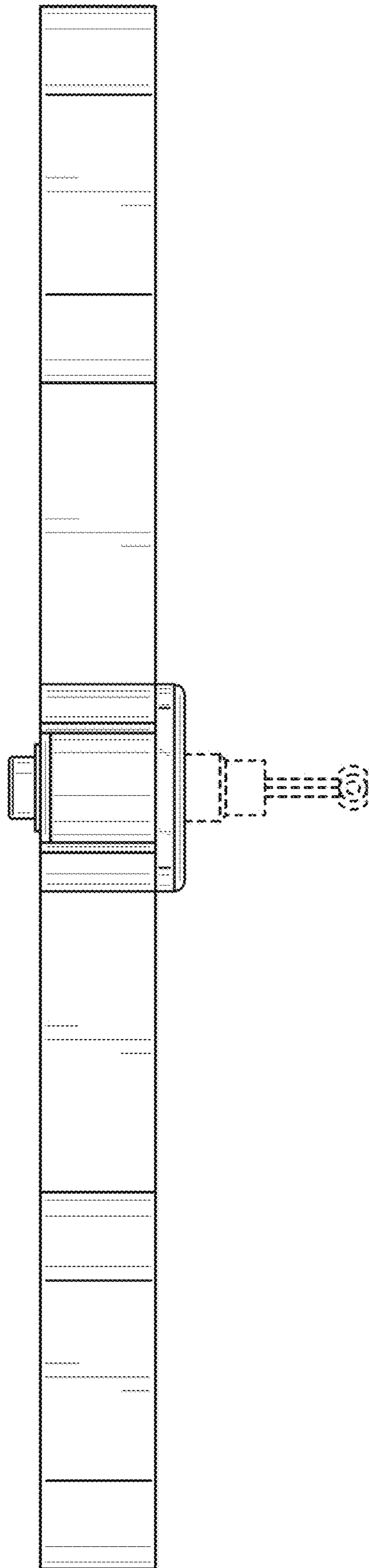


FIG. 6

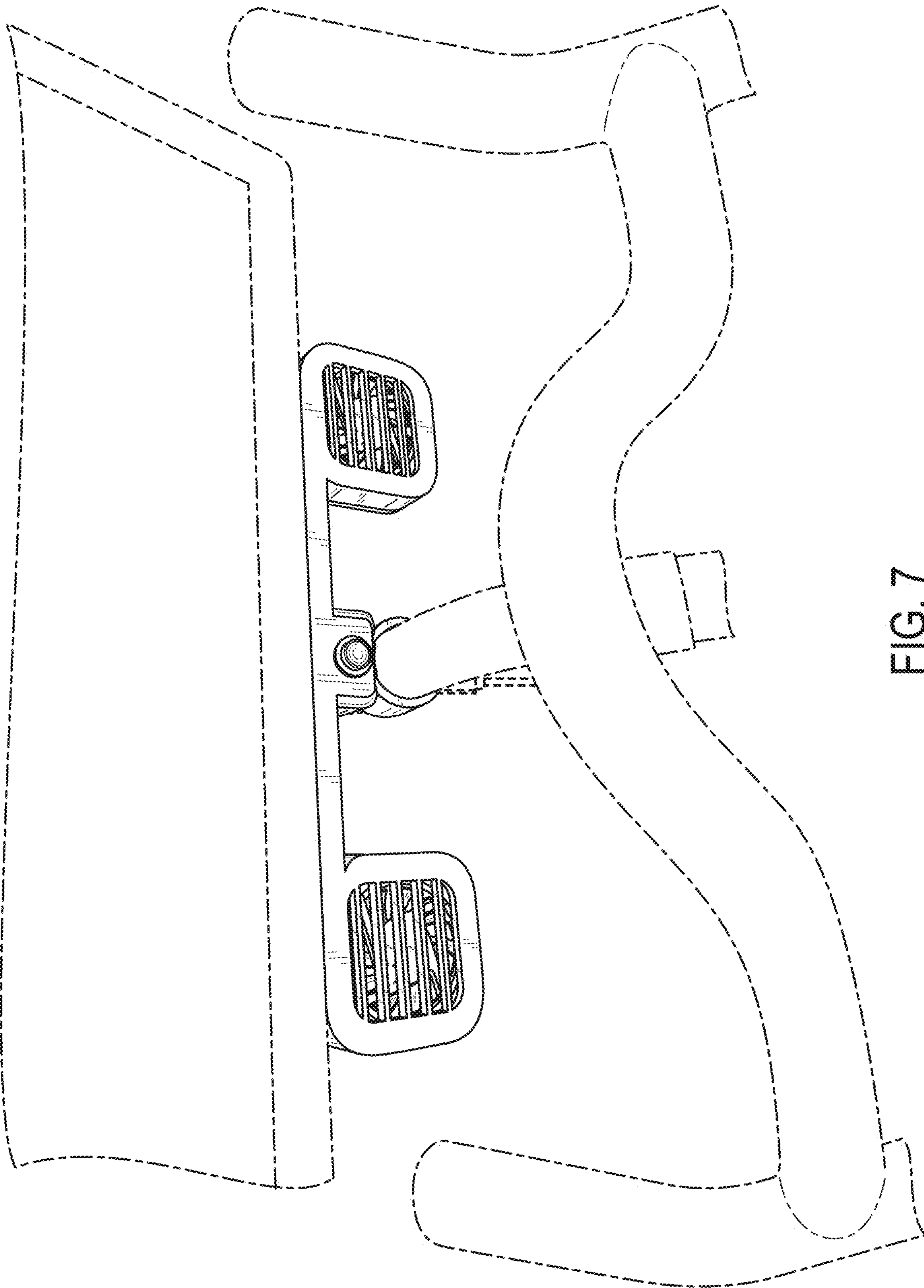


FIG. 7