



US00D934405S

(12) **United States Design Patent**
Hong

(10) **Patent No.:** **US D934,405 S**

(45) **Date of Patent:** **** Oct. 26, 2021**

(54) **COOKER HOOD**

(71) Applicant: **Foshan Shunde Arcair Appliance Industrial Co., Ltd.**, Foshan (CN)

(72) Inventor: **Zhiming Hong**, Foshan (CN)

(**) Term: **15 Years**

(21) Appl. No.: **29/683,217**

(22) Filed: **Mar. 12, 2019**

(51) **LOC (13) Cl.** **23-04**

(52) **U.S. Cl.**
USPC **D23/372**

(58) **Field of Classification Search**
USPC D23/370-372, 411
See application file for complete search history.

(56) **References Cited**

U.S. PATENT DOCUMENTS

D460,547 S *	7/2002	Li	D23/372
D489,805 S *	5/2004	Vetter	F24C 15/20
				D23/371
D526,711 S *	8/2006	Galeazzi	D23/372
D535,009 S *	1/2007	Sinur	D23/372
D557,397 S *	12/2007	Sinur	D23/372

D576,264 S *	9/2008	Grobleben	D23/372
D621,022 S *	8/2010	Funnell	D23/372
D730,507 S *	5/2015	Borjesson	D23/372

* cited by examiner

Primary Examiner — Janice Hallmark

(74) *Attorney, Agent, or Firm* — Runit Ranjit Kanakia

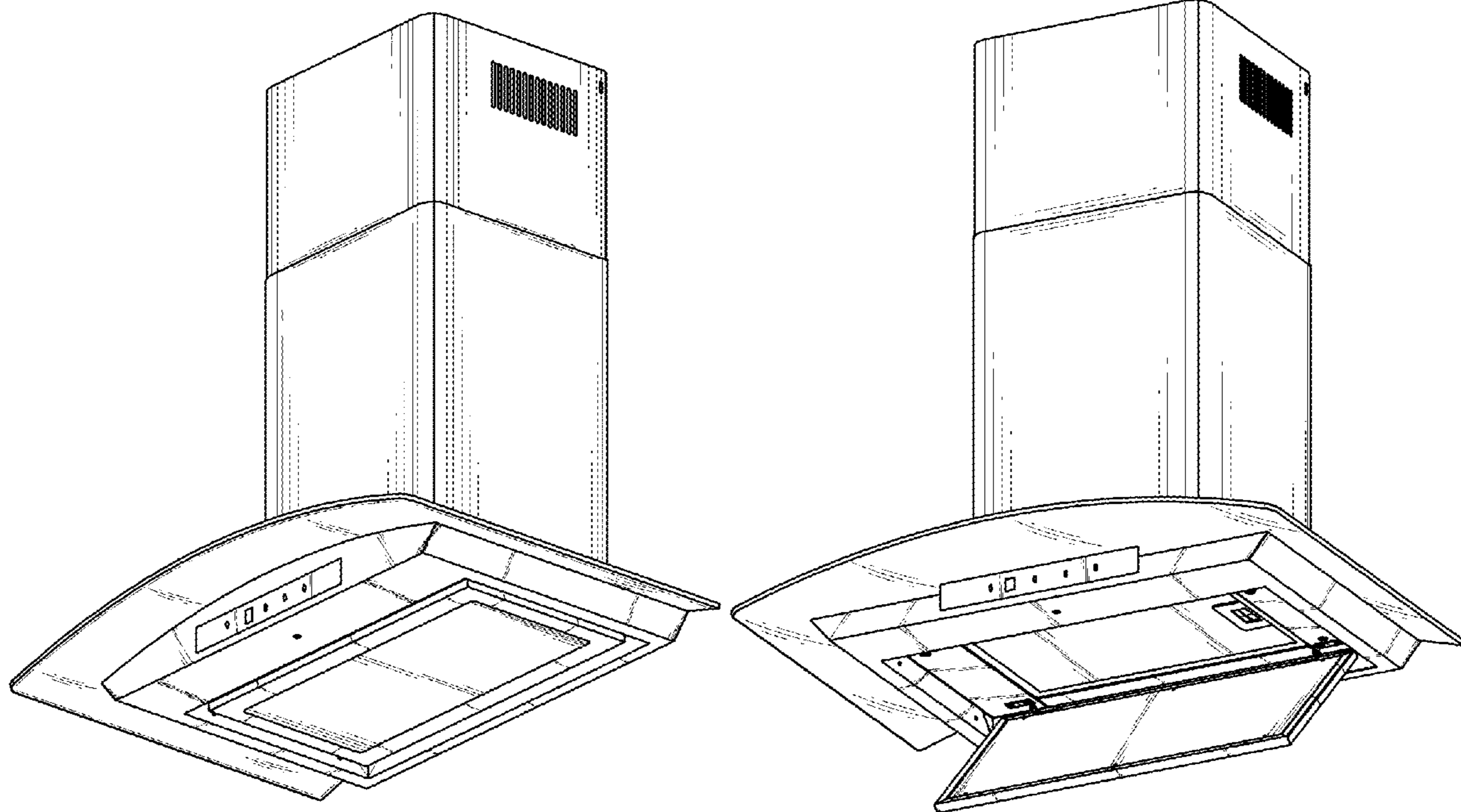
(57) **CLAIM**

I claim the ornamental design for a cooker hood, as shown and described.

DESCRIPTION

FIG. 1 is a perspective view of a cooker hood showing my new design;
 FIG. 2 is another perspective view of the cooker hood of FIG. 1 shown in an alternate position;
 FIG. 3 is a left side view of the cooker hood of FIG. 1;
 FIG. 4 is a right side view of the cooker hood of FIG. 1;
 FIG. 5 is a back view of the cooker hood of FIG. 1;
 FIG. 6 is a front view of the cooker hood of FIG. 1;
 FIG. 7 is a top view of the cooker hood of FIG. 1;
 FIG. 8 is a bottom view of the cooker hood of FIG. 1; and,
 FIG. 9 is another perspective view of the cooker hood of FIG. 1.

1 Claim, 8 Drawing Sheets



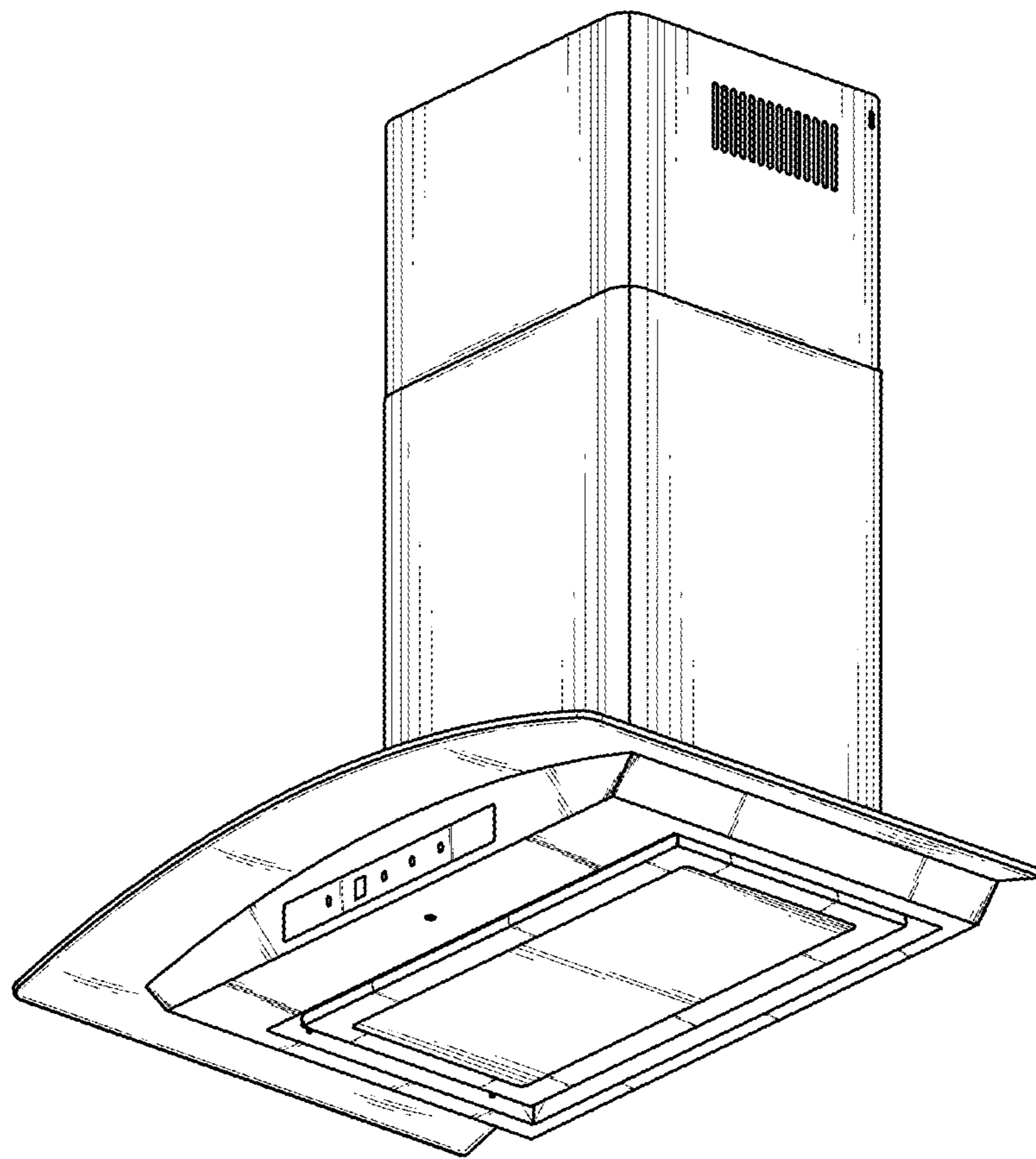


FIG. 1

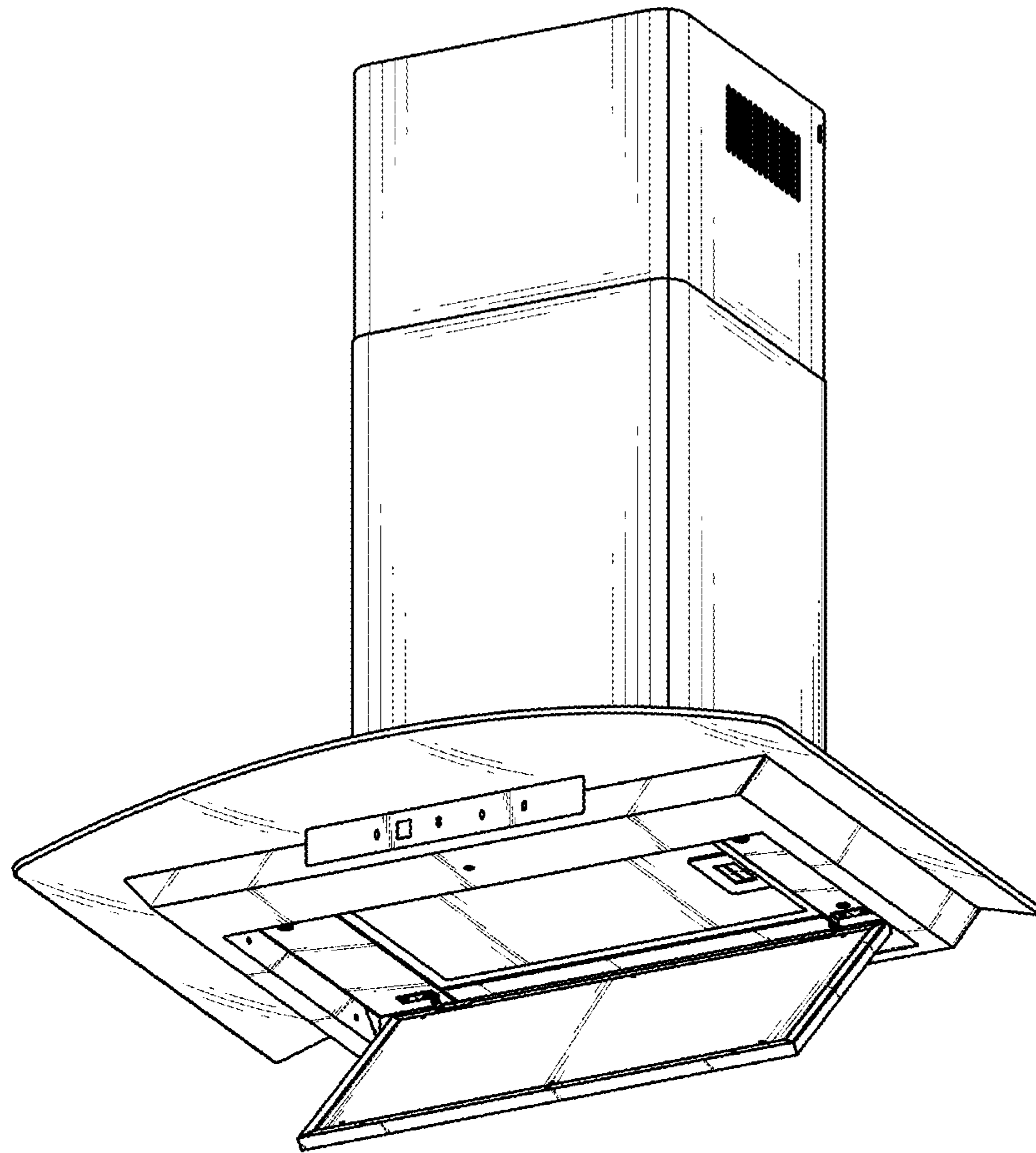


FIG. 2

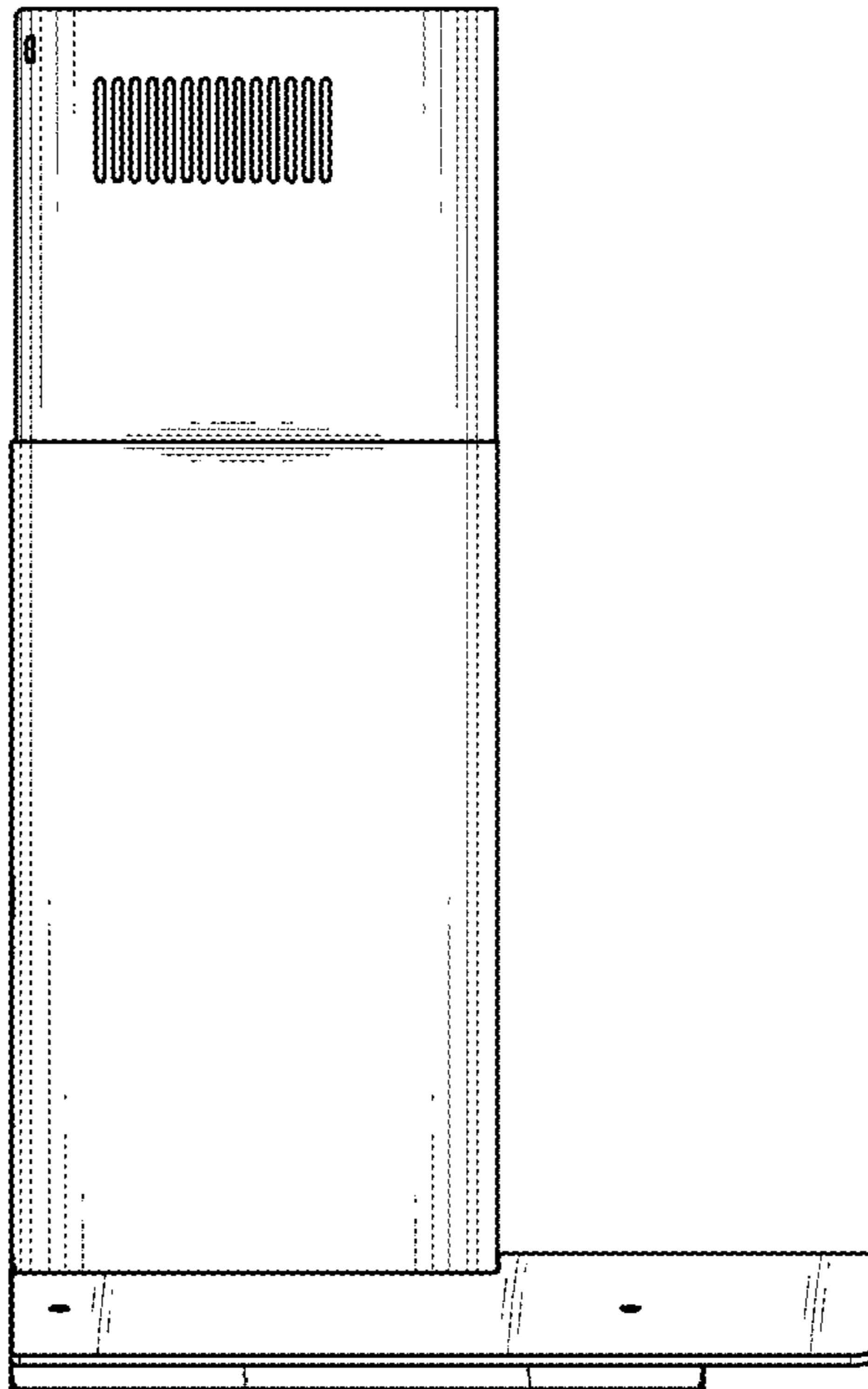


FIG. 3

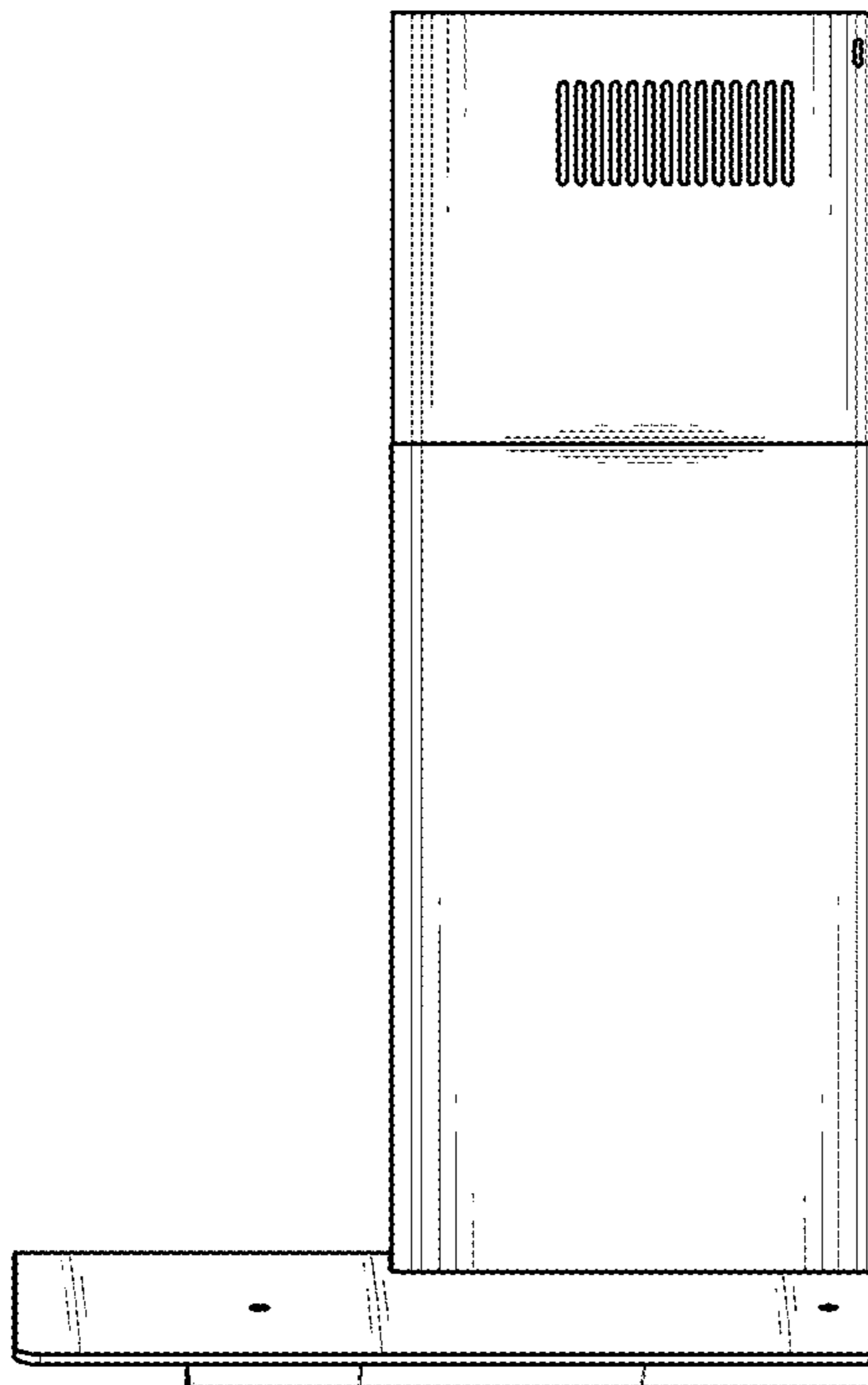


FIG. 4

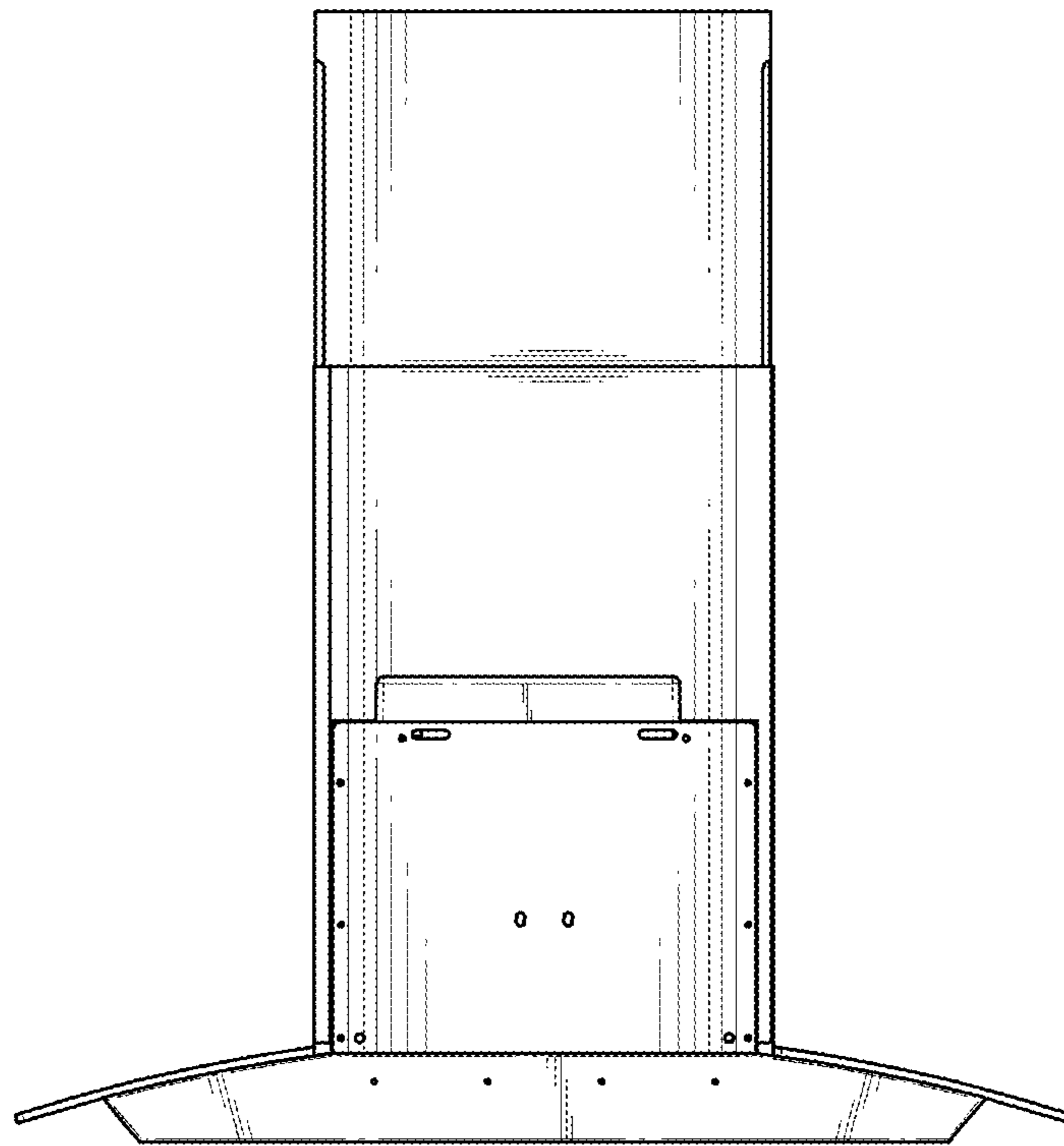


FIG. 5

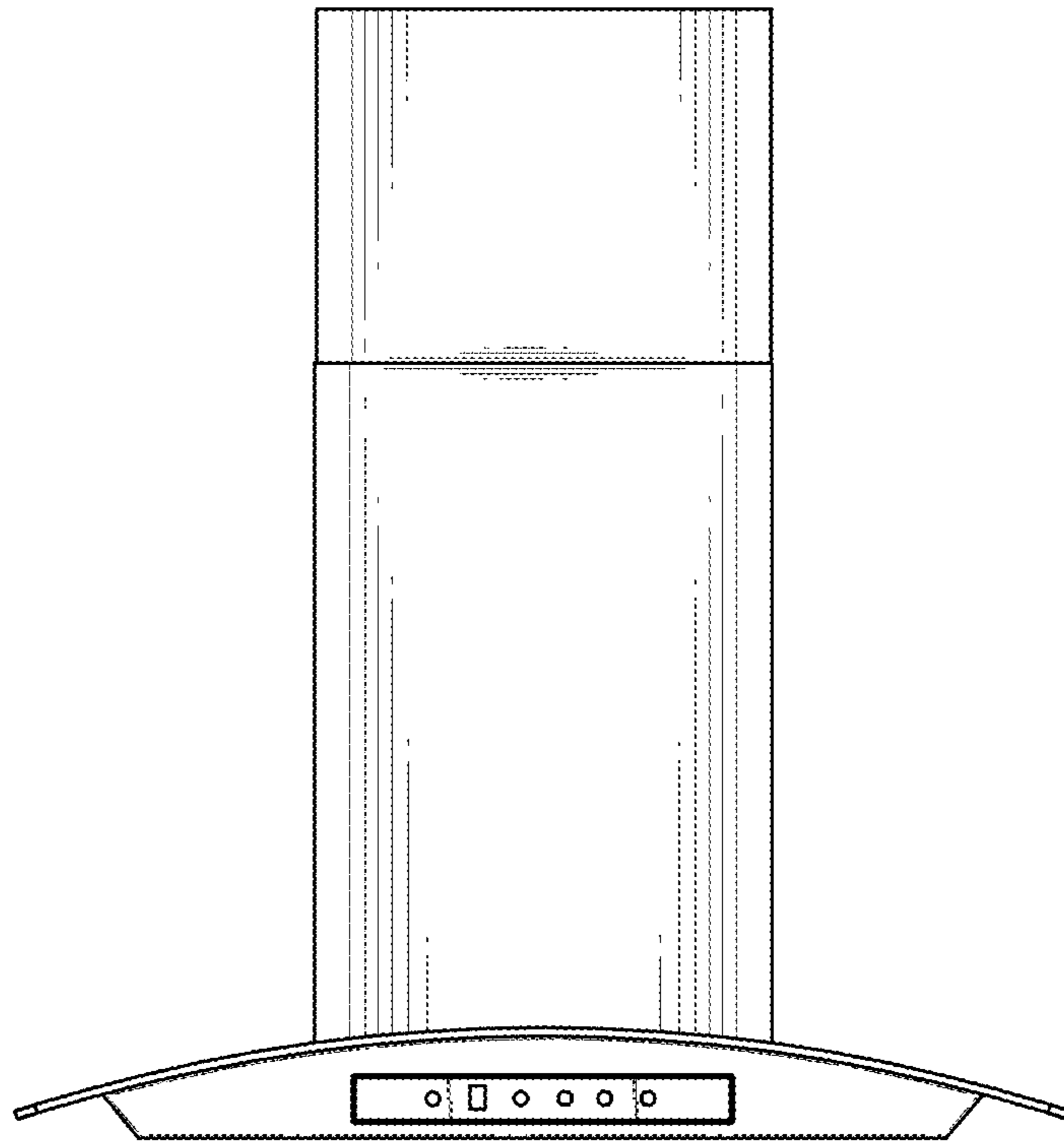


FIG. 6

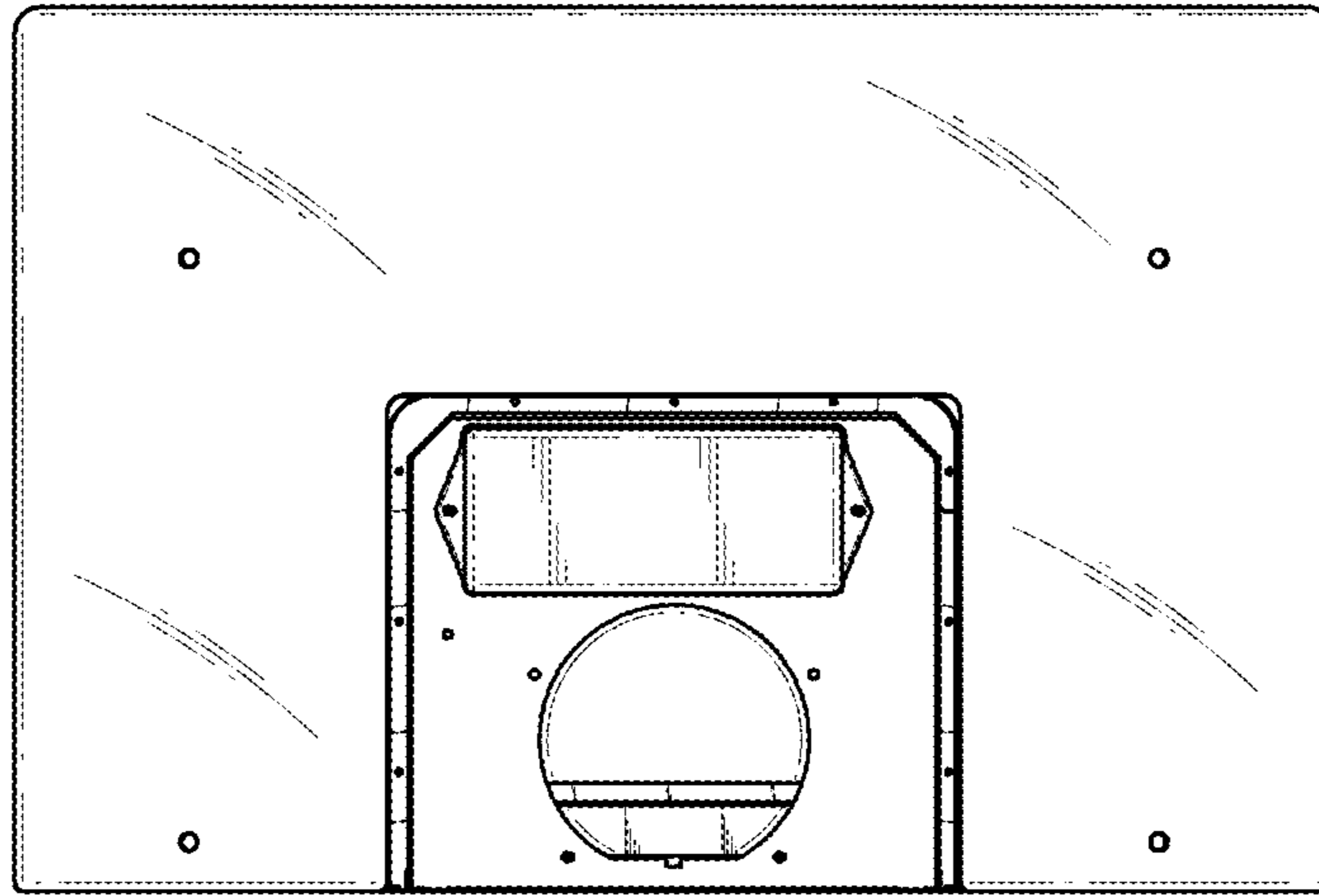


FIG. 7

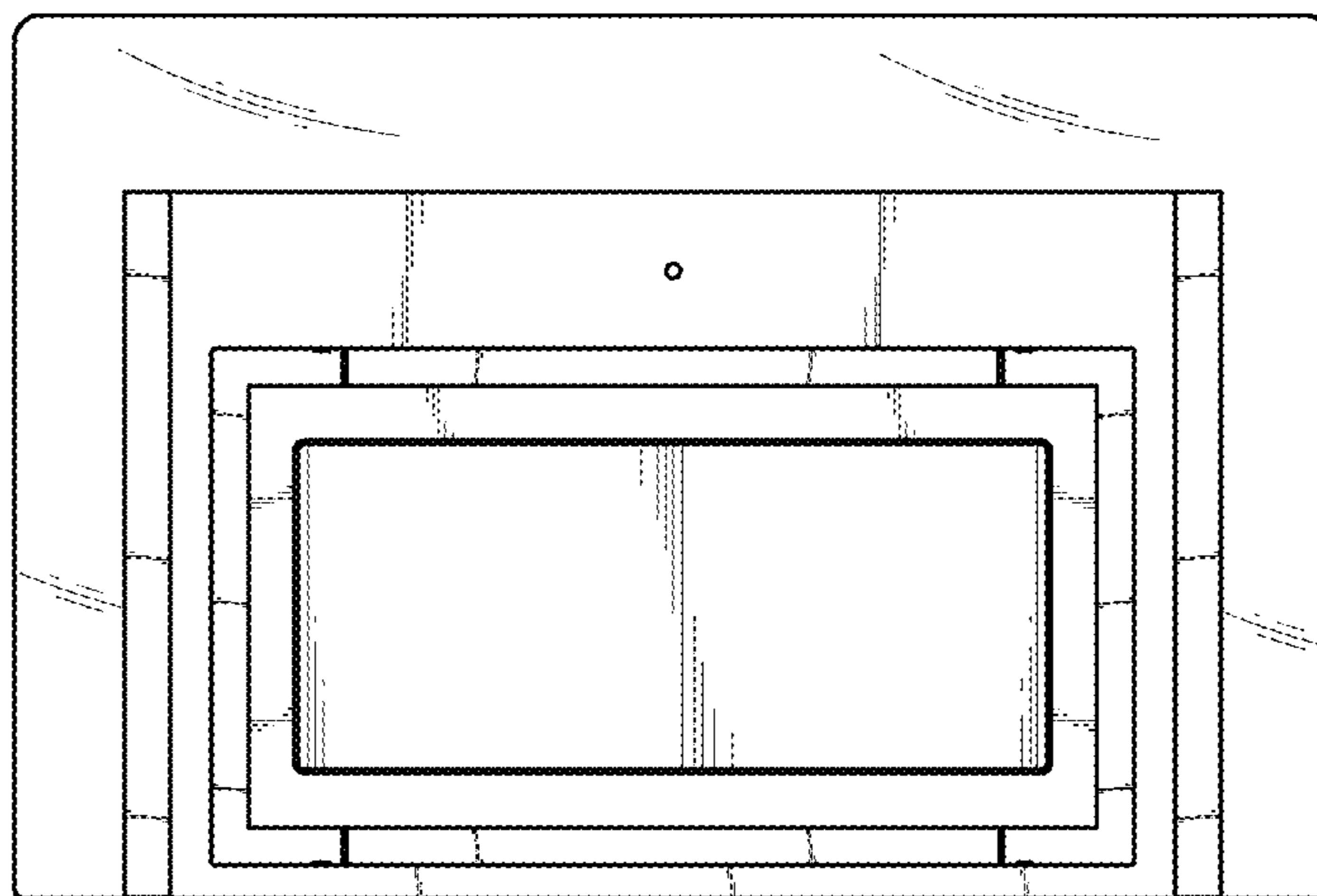


FIG. 8

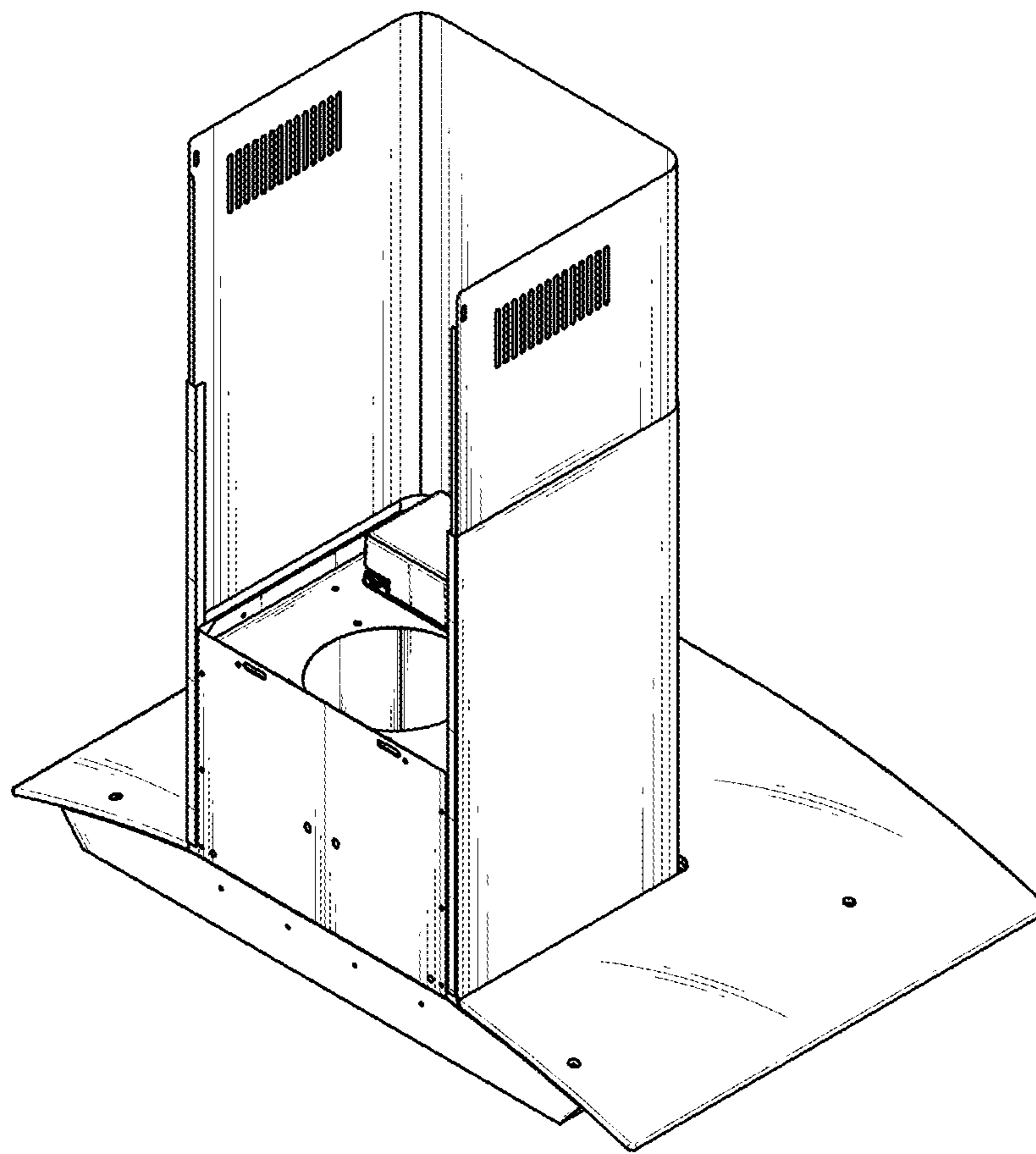


FIG. 9