



US00D934404S

(12) **United States Design Patent** (10) **Patent No.:** **US D934,404 S**  
**Seckinger, Sr. et al.** (45) **Date of Patent:** **\*\* Oct. 26, 2021**

(54) **ION DISTRIBUTION DEVICE**

10,128,075 B2 11/2018 Waddell  
D844,767 S \* 4/2019 Chen ..... D23/364  
D849,924 S \* 5/2019 Sanders ..... D23/383

(71) Applicants: **Mallie Jamieson Seckinger, Sr.**,  
Savannah, GA (US); **Jonathan Saltman**,  
Bellflower, CA (US)

(Continued)

(72) Inventors: **Mallie Jamieson Seckinger, Sr.**,  
Savannah, GA (US); **Jonathan Saltman**,  
Bellflower, CA (US)

(\*\*) Term: **15 Years**

(21) Appl. No.: **29/758,960**

(22) Filed: **Nov. 19, 2020**

(51) **LOC (13) Cl.** ..... **23-04**

(52) **U.S. Cl.**  
USPC ..... **D23/364; D23/383**

(58) **Field of Classification Search**  
USPC ..... D23/332–337, 355, 370–376, 378–383,  
D23/364–369

CPC ..... F04D 29/42; F04D 29/62  
See application file for complete search history.

(56) **References Cited**

**U.S. PATENT DOCUMENTS**

D196,463 S *	10/1963	Morrison	.....	D23/382
6,419,718 B1 *	7/2002	Klug	.....	B01D 46/0004
				55/320
D517,677 S *	3/2006	Bartholmey	.....	D23/383
D530,002 S *	10/2006	Ching	.....	D23/317
D594,880 S *	6/2009	Austen	.....	D15/7
7,785,064 B2 *	8/2010	Bartholmey	.....	F04D 29/4246
				415/1
D643,915 S *	8/2011	Endo	.....	D23/364
D704,908 S *	5/2014	Cui	.....	D23/383
D705,412 S *	5/2014	Dworatzek	.....	D23/365
8,861,167 B2	10/2014	Waddell		
8,873,215 B2	10/2014	Waddell		
D717,420 S *	11/2014	Von Seggern	.....	D23/365
9,441,845 B2	9/2016	Waddell		
9,925,567 B2	3/2018	Waddell		
10,020,180 B2	7/2018	Waddell		
10,073,055 B2	9/2018	Waddell		

**OTHER PUBLICATIONS**

Ion distribution device to remove COVID-19 available from Avant Aerospace, posted Aug. 21, 2020, site visited Apr. 14, 2021, <<https://www.businessjetinteriorsinternational.com/news/air-quality/ion-distribution-device-to-remove-covid-19-available-from-avant-aerospace.html>>.\*

(Continued)

*Primary Examiner* — Sharon S Oum

(74) *Attorney, Agent, or Firm* — Cislo & Thomas, LLP;  
Kelly W. Cunningham

(57) **CLAIM**

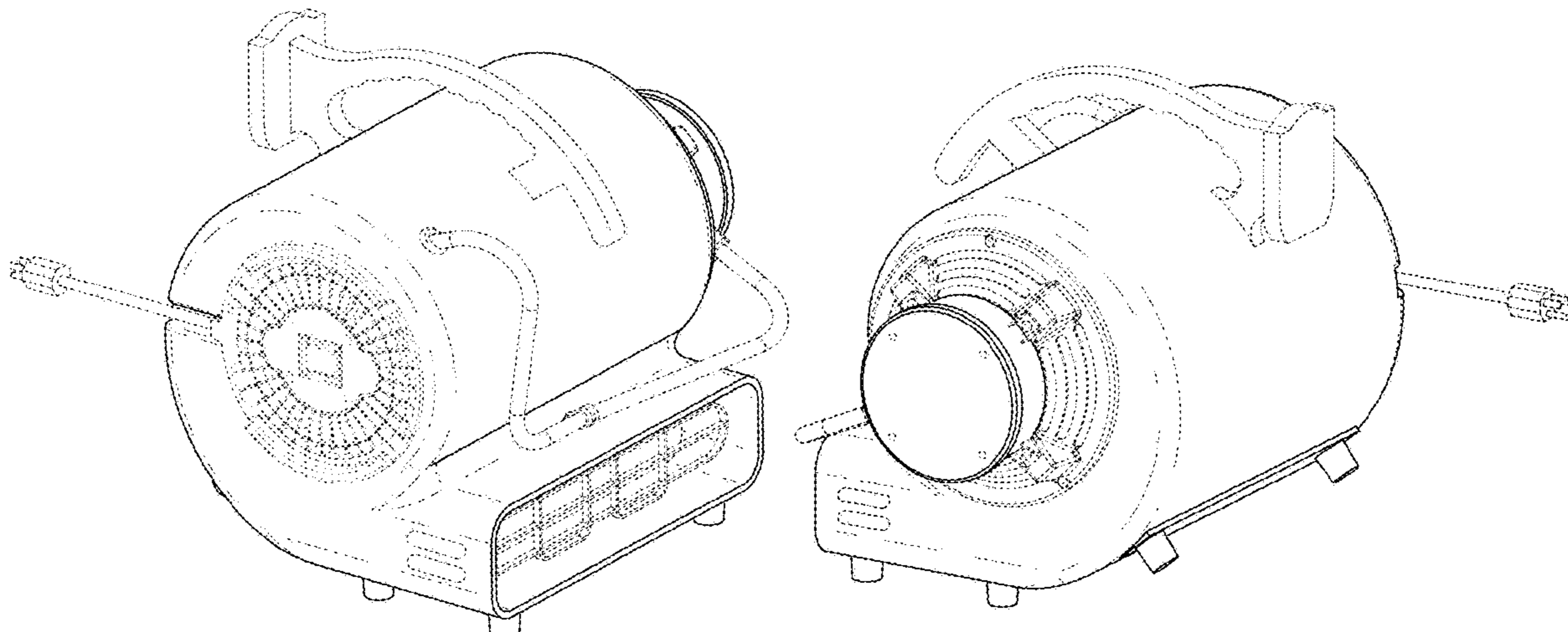
The ornamental design for an ion distribution device, as shown and described herein.

**DESCRIPTION**

FIG. 1 a front perspective view of the design;  
FIG. 2 is a rear perspective view thereof;  
FIG. 3 is a left side view thereof;  
FIG. 4 is an enlargement of a portion of FIG. 3;  
FIG. 5 is an enlargement of a another portion of FIG. 3;  
FIG. 6 is a right side view thereof;  
FIG. 7 is an enlargement of a portion of FIG. 6;  
FIG. 8 is a front view thereof;  
FIG. 9 is a rear view thereof;  
FIG. 10 is an enlargement of a portion of FIG. 9;  
FIG. 11 is a top view thereof; and,  
FIG. 12 is a bottom view thereof.

The small scale dash-dash broken lines illustrate portions of the ion distribution device that form no part of the claimed design. The large scale dash-dash broken line circles define the bounds of the enlargements and do not form part of the claimed design.

**1 Claim, 12 Drawing Sheets**



(56)

**References Cited**

U.S. PATENT DOCUMENTS

10,319,569	B2	6/2019	Waddell	
D852,940	S *	7/2019	Cui .....	D23/383
D868,233	S *	11/2019	Galbreath .....	D23/364
D869,631	S *	12/2019	Tschopp .....	D23/383
10,710,123	B2	7/2020	Waddell	
2011/0168647	A1 *	7/2011	Wieczorek .....	B01D 29/21 210/799
2019/0186499	A1 *	6/2019	Pirouzpanah .....	F04D 29/62
2021/0180612	A1 *	6/2021	Sarmiento .....	F04D 23/00
2021/0222695	A1 *	7/2021	Demirdjian .....	A01G 20/47

OTHER PUBLICATIONS

COVID-19 Successfully Neutralized in Testing of Aviation Clean Air's Interior Purification System, posted Jun. 10, 2020, site visited Apr. 14, 2021, <<https://www.avm-mag.com/covid-19-successfully-neutralized-in-testing-of-aviation-clean-airs-interior-purification-system/>>.\*

B-Air VP-25 1/4 HP 900 CFM Air Mover for Water Damage Restoration Equipment Carpet Dryer Floor Blower Fan Home and

Plumbing Use, Blue, date first available Mar. 25, 2016, site visited Apr. 16, 2021, <<https://www.amazon.com/B-Air-VP-25-Damage-Restoration-Plumbing/dp/B01DFW2BQA>>.\*

Amazon.com; XPOWER P-430AT Medium Air Mover Utility Blower Fan; [www.amazon.com/Xpower-P-430AT-Utility-Features-Outlets/dp/B00TXPUZTY/ref=sr\\_1\\_3\\_sspa?dchild=1&keywords=](http://www.amazon.com/Xpower-P-430AT-Utility-Features-Outlets/dp/B00TXPUZTY/ref=sr_1_3_sspa?dchild=1&keywords=).

Grainger.com; Dayton Horizontal, Vertical 3 Speed Portable Blower/Dryer; [www.grainger.com/product/DAYTON-Horizontal-30EK65](http://www.grainger.com/product/DAYTON-Horizontal-30EK65).

Grainger.com; Dri-Eaz Horizontal, Vertical 3 Speed Portable Blower/Dryer; [www.grainger.com/product/DRI-EAZ-Horizontal-5UNZ5](http://www.grainger.com/product/DRI-EAZ-Horizontal-5UNZ5).

HomeDepot.com; B-Air 1/4 HP Air Mover Blower Fan; [www.homedepot.com/p/B-Air-1-4-HP-Air-Mover-Blower-Fan-for-Water-Damage-Restoration-Carpet-Dryer-Floor-Home-and-Plumbi](http://www.homedepot.com/p/B-Air-1-4-HP-Air-Mover-Blower-Fan-for-Water-Damage-Restoration-Carpet-Dryer-Floor-Home-and-Plumbi).

HomeDepot.com; B-Air 1/2 HP Air Mover; [www.homedepot.com/p/B-Air-1-2-HP-Air-Mover-Janitorial-Water-Damage-Restoration-Stack-Carpet-Dryer-Floor-Blower-Fan-Grey-135-Pack](http://www.homedepot.com/p/B-Air-1-2-HP-Air-Mover-Janitorial-Water-Damage-Restoration-Stack-Carpet-Dryer-Floor-Blower-Fan-Grey-135-Pack).

HomeDepot.com; Englander Small Room Air Blower for Englander Wood Stoves; [www.homedepot.com/p/Englander-Small-Room-Air-Blower-for-Englander-Wood-Stoves-AC-16/100647272](http://www.homedepot.com/p/Englander-Small-Room-Air-Blower-for-Englander-Wood-Stoves-AC-16/100647272).

HomeDepot.com; Lasko Pivoting Pro Blower Fan; [www.homedepot.com/p/Lasko-Pivoting-Pro-Blower-Fan-U12104/312762497](http://www.homedepot.com/p/Lasko-Pivoting-Pro-Blower-Fan-U12104/312762497).

\* cited by examiner

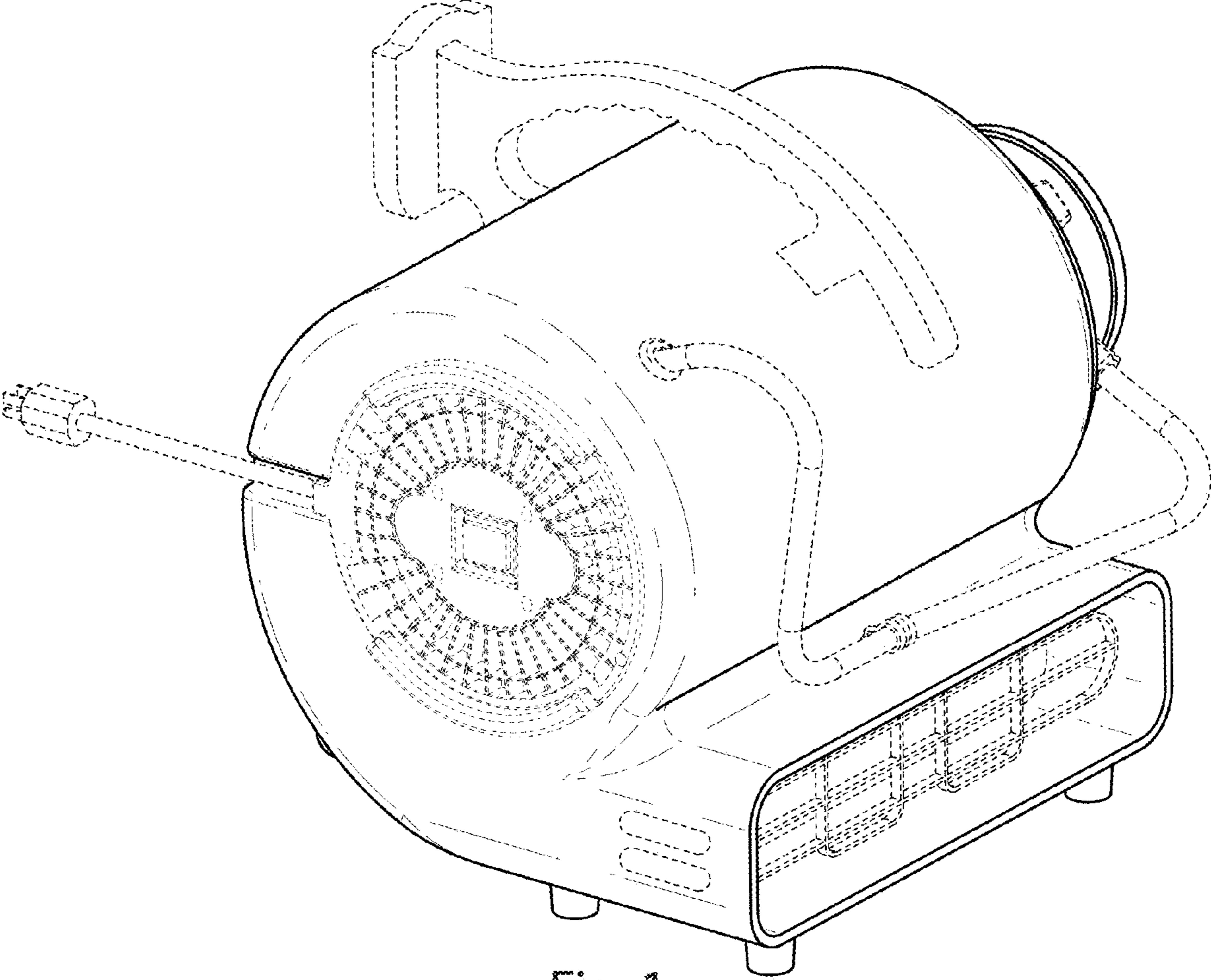


Fig. 1



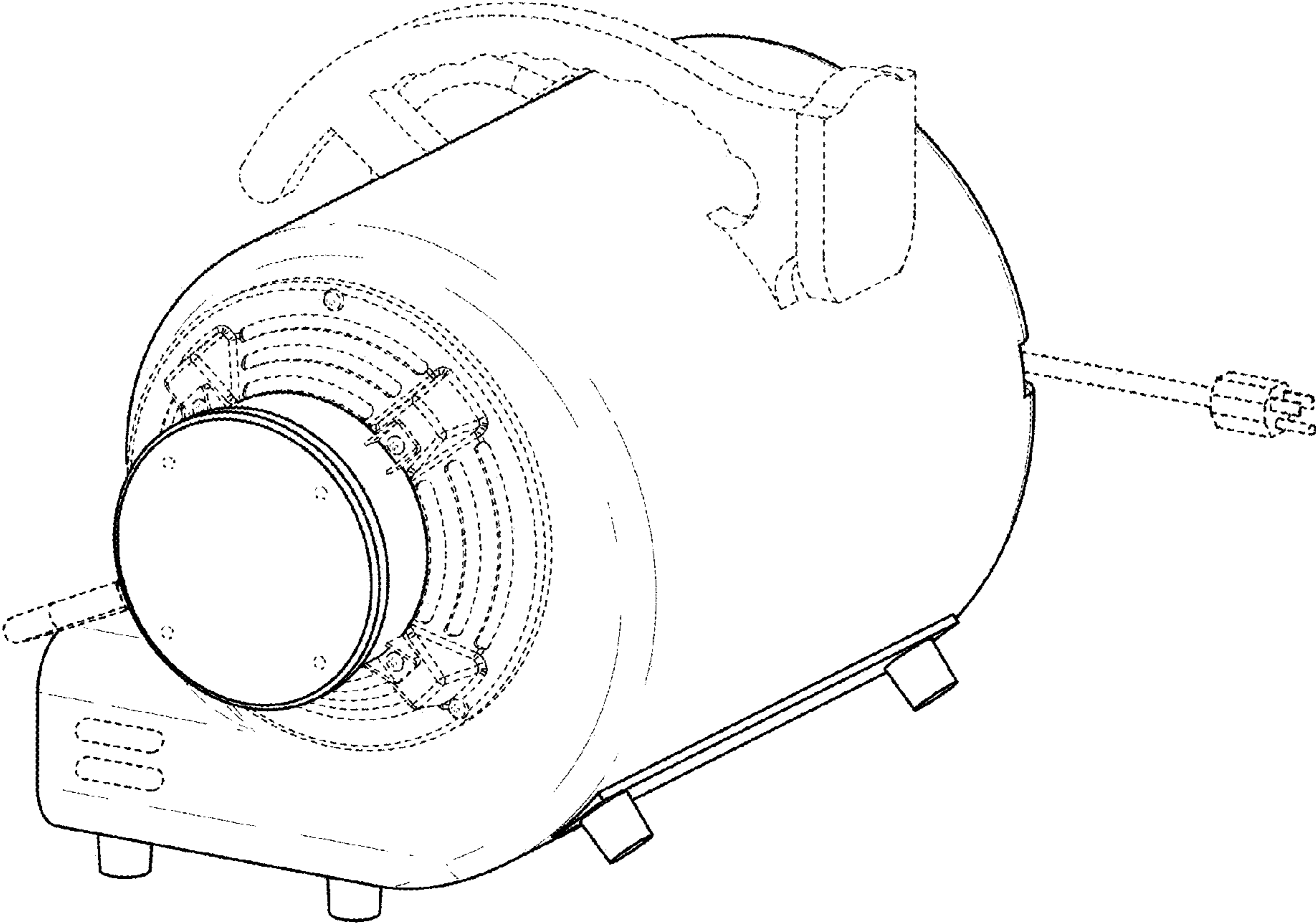


Fig. 2

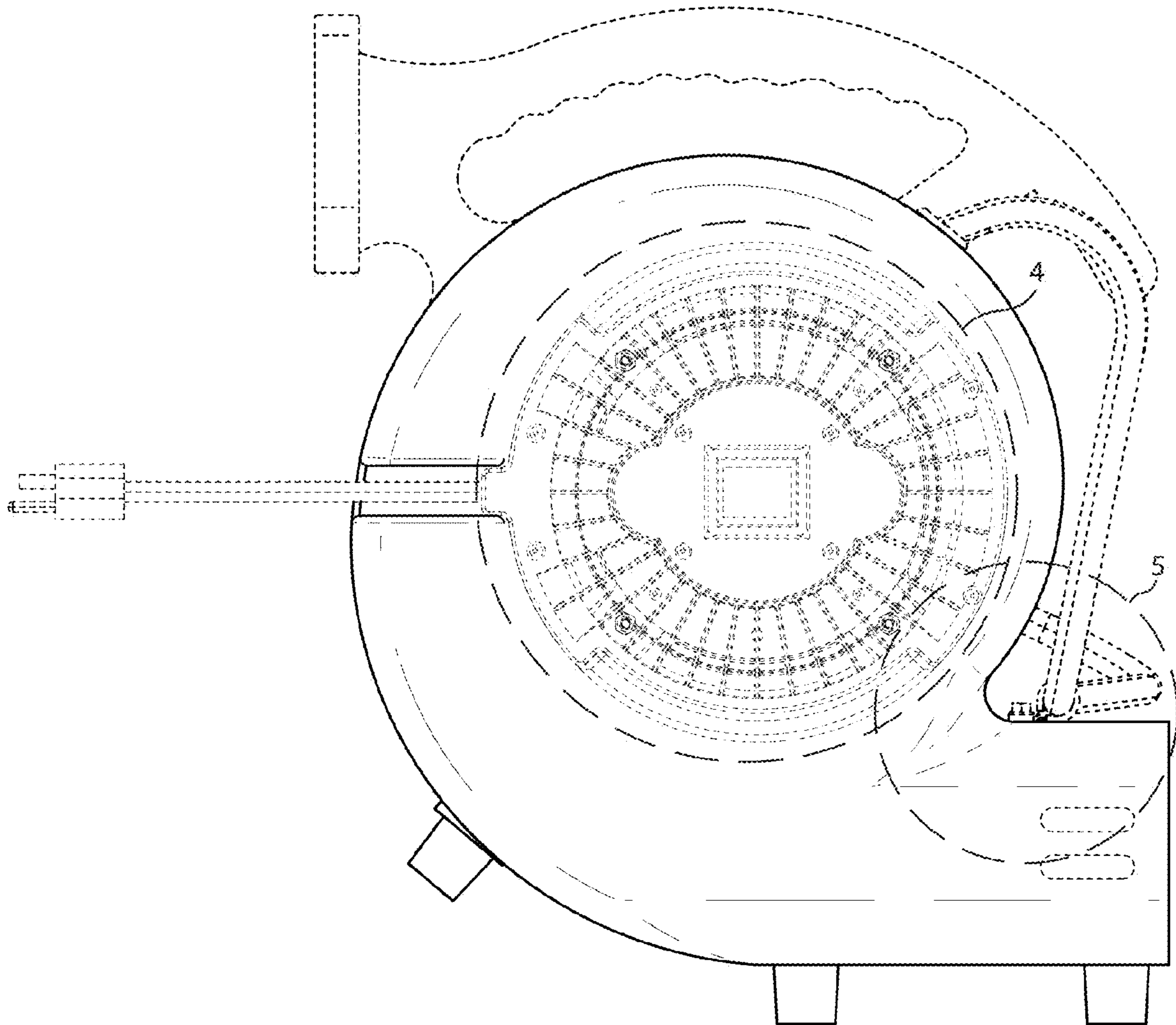


Fig. 3

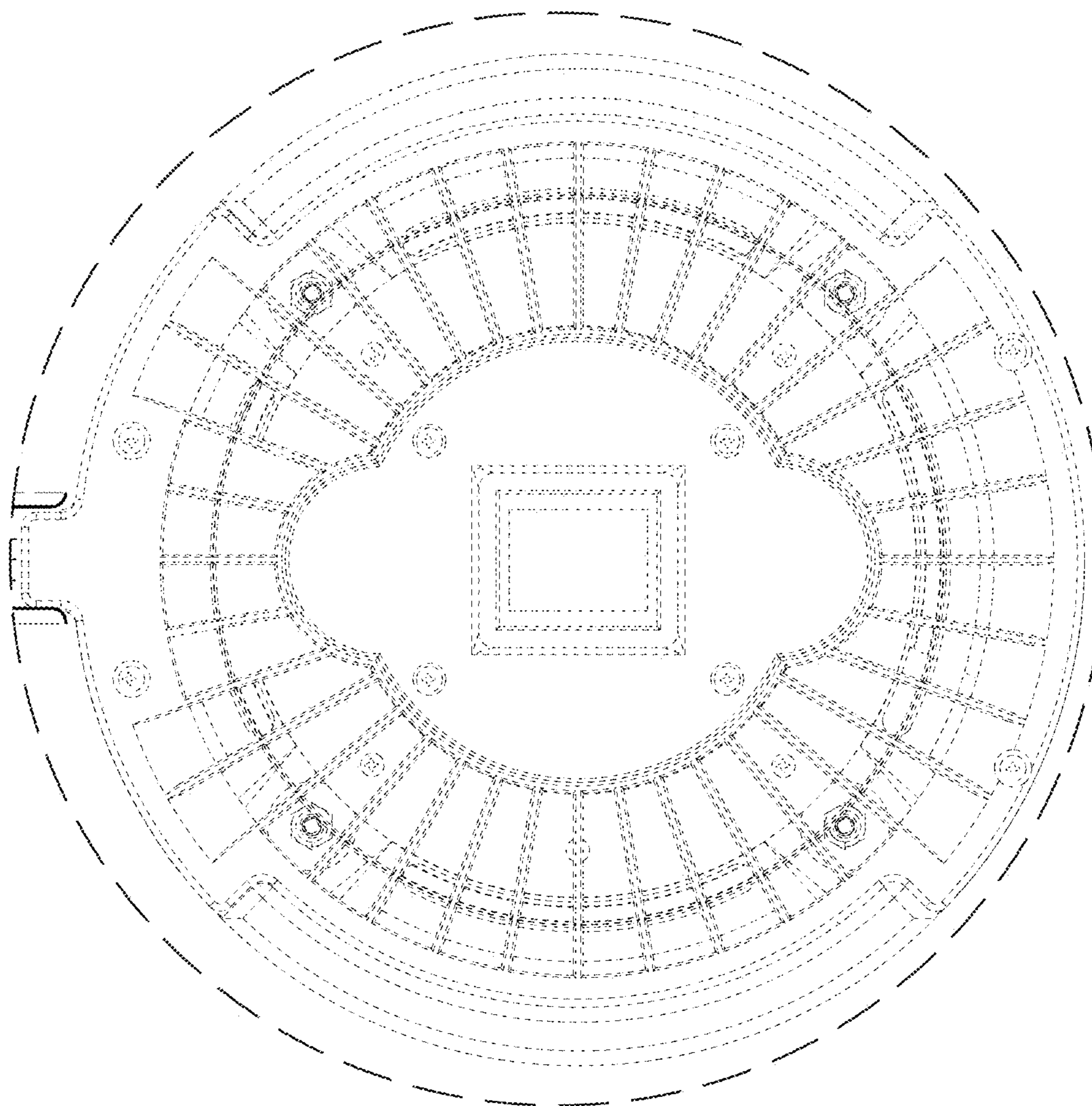


Fig. 4

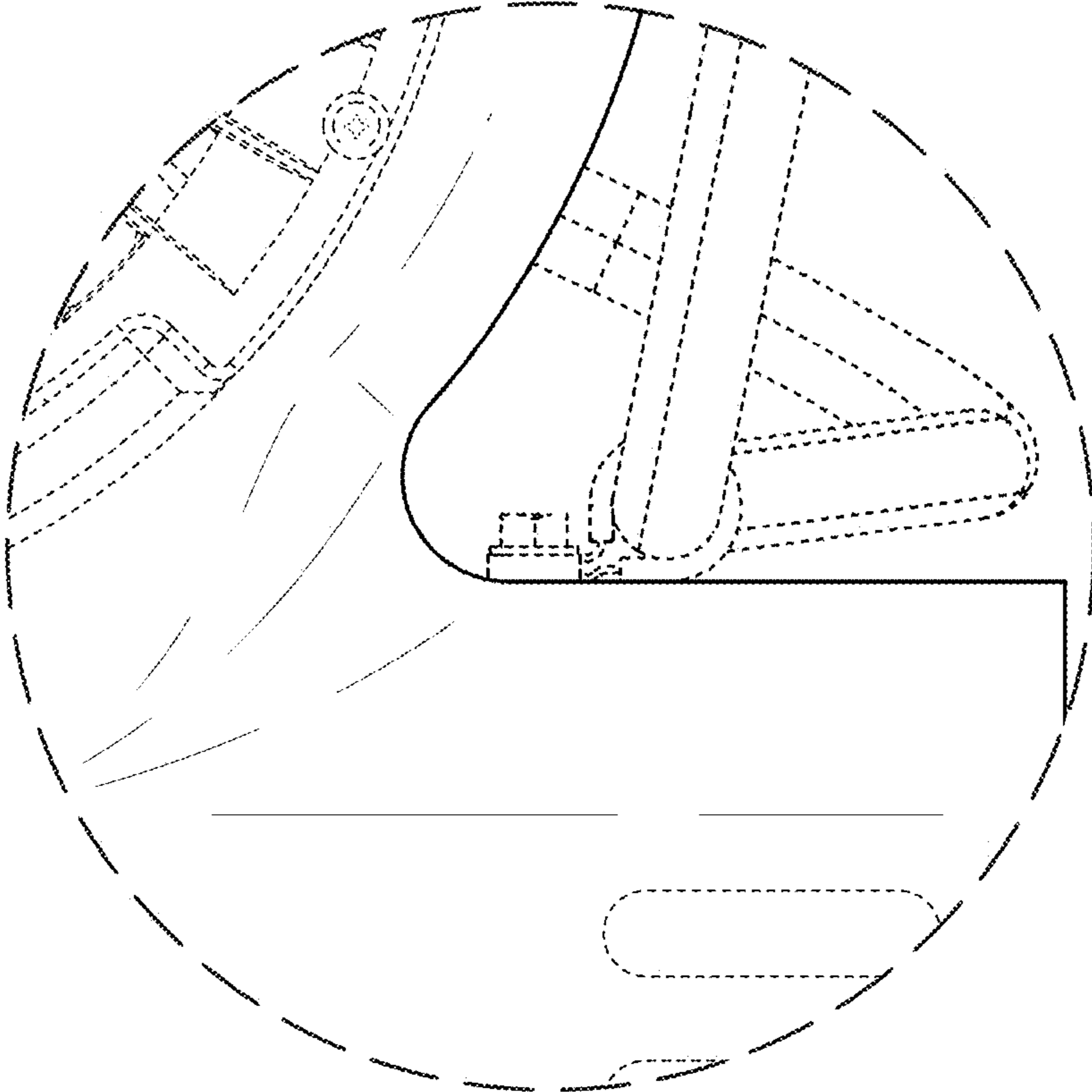


Fig. 5

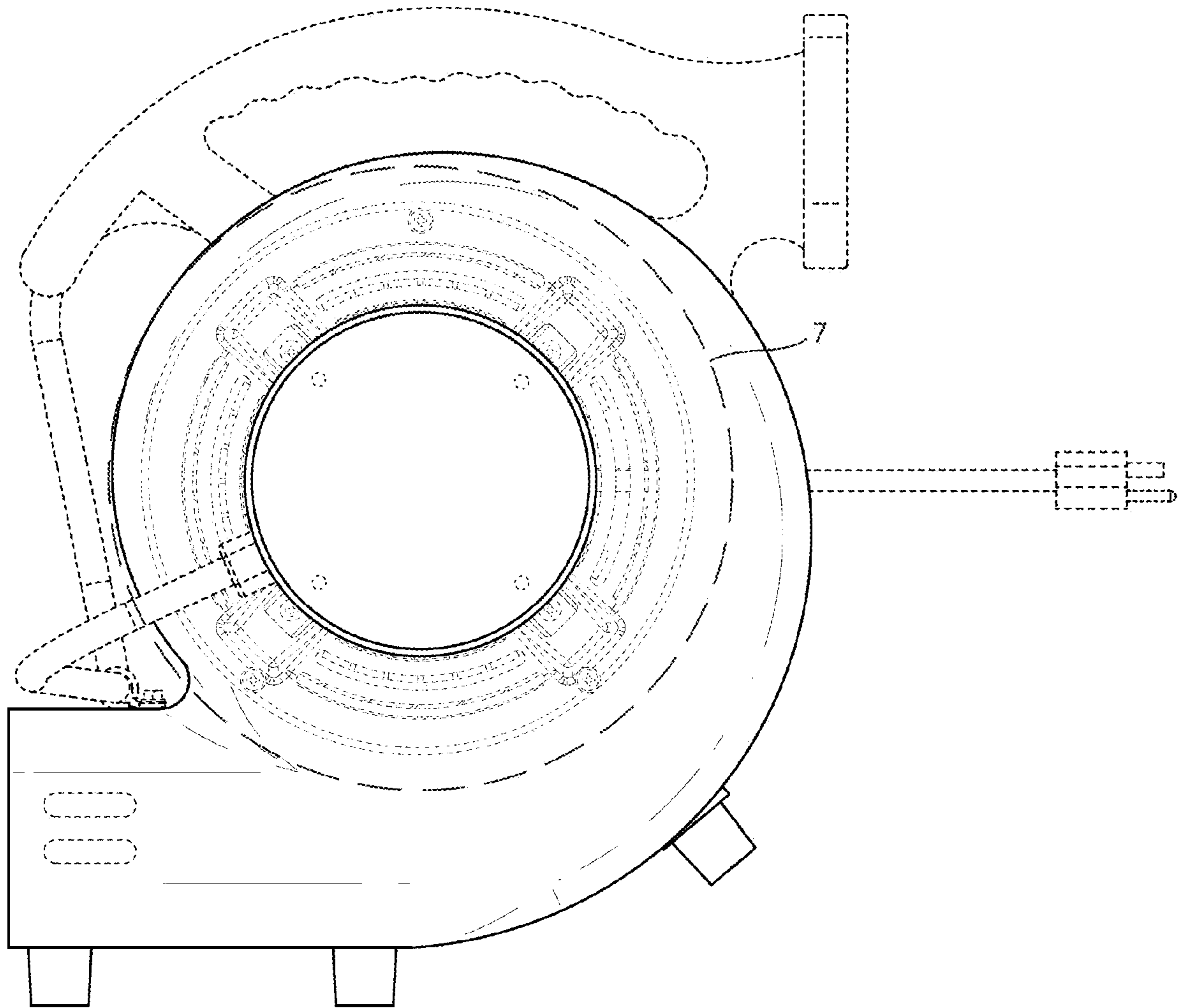


Fig. 6



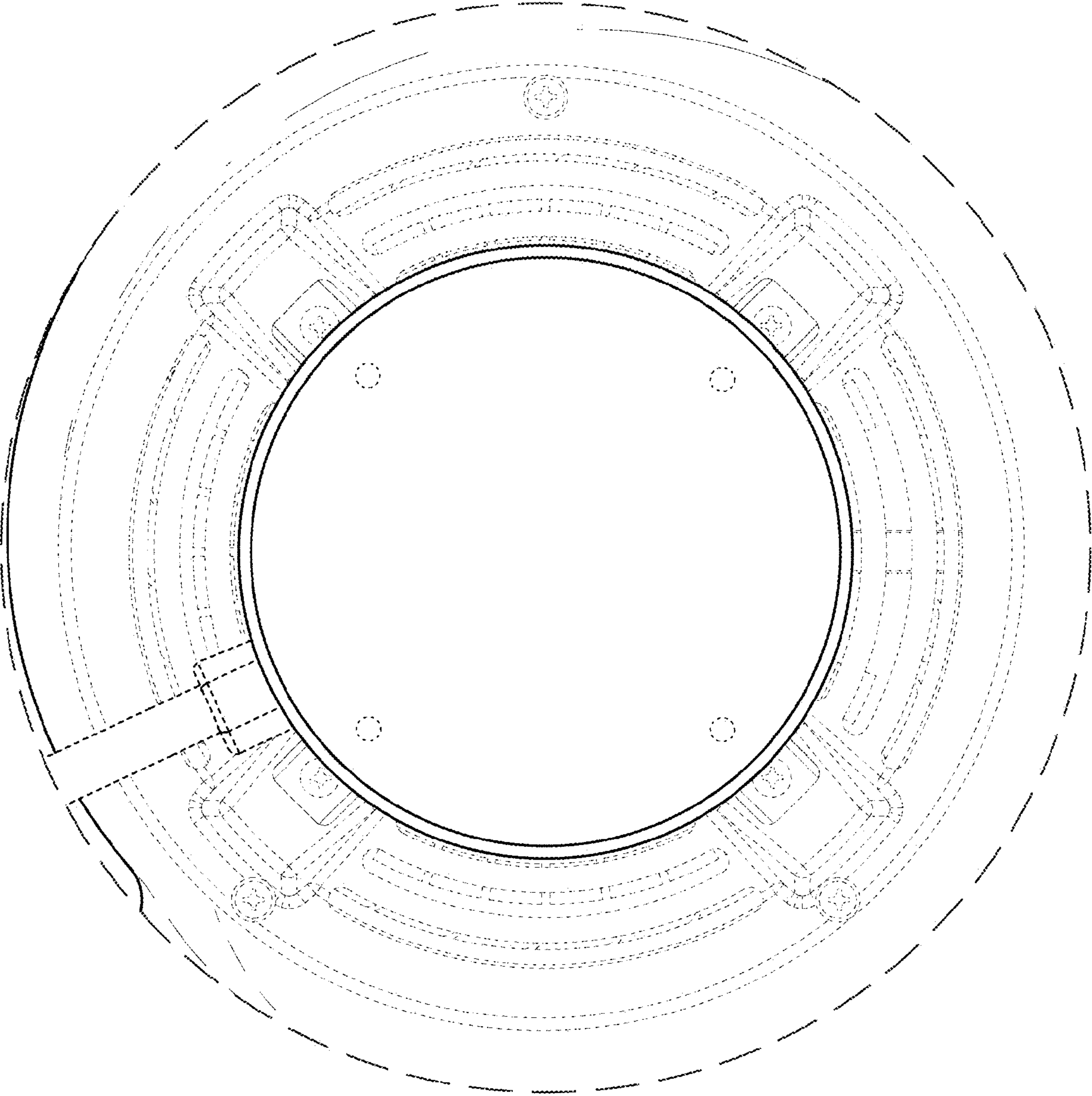


Fig. 7

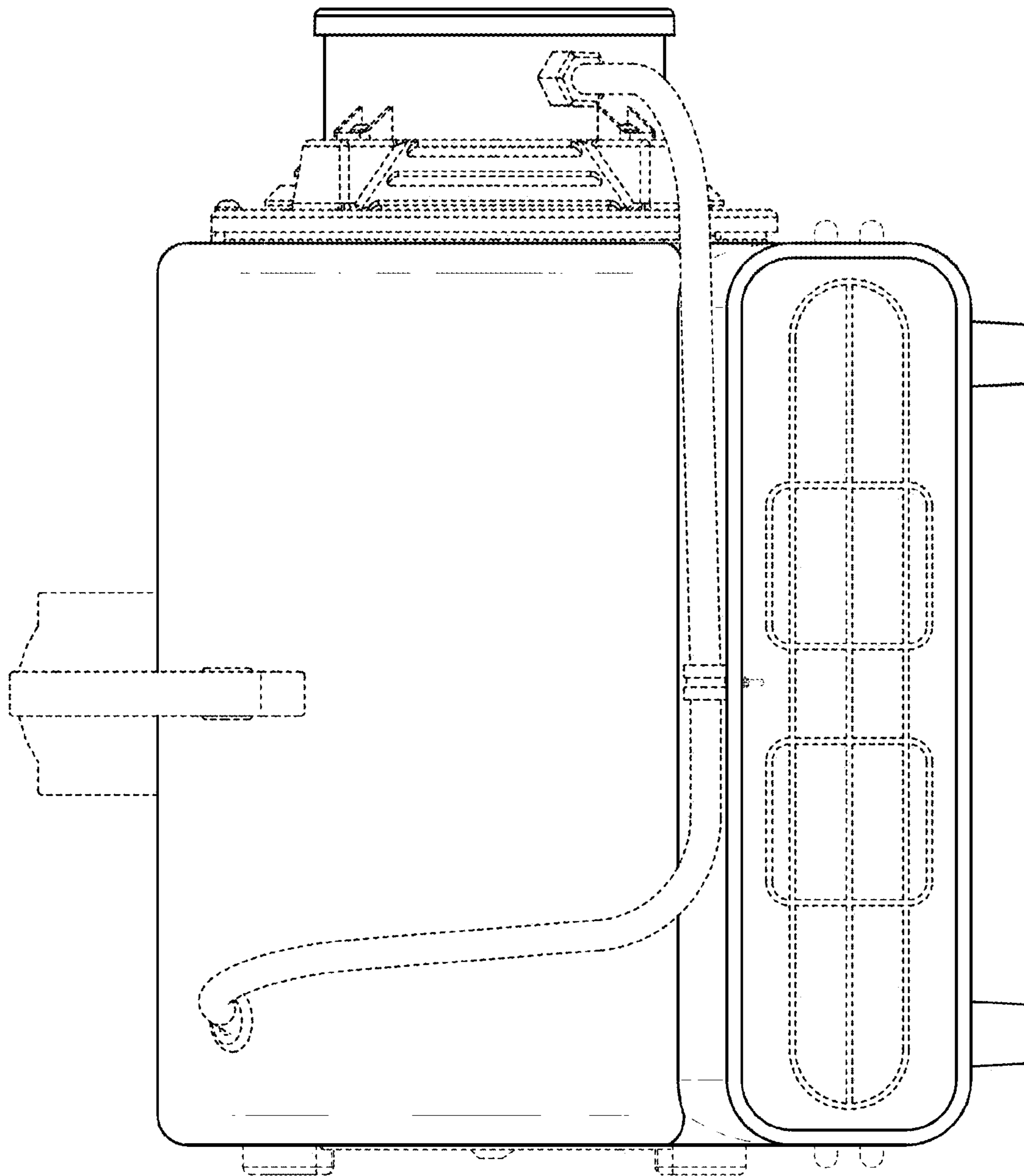


Fig. 8

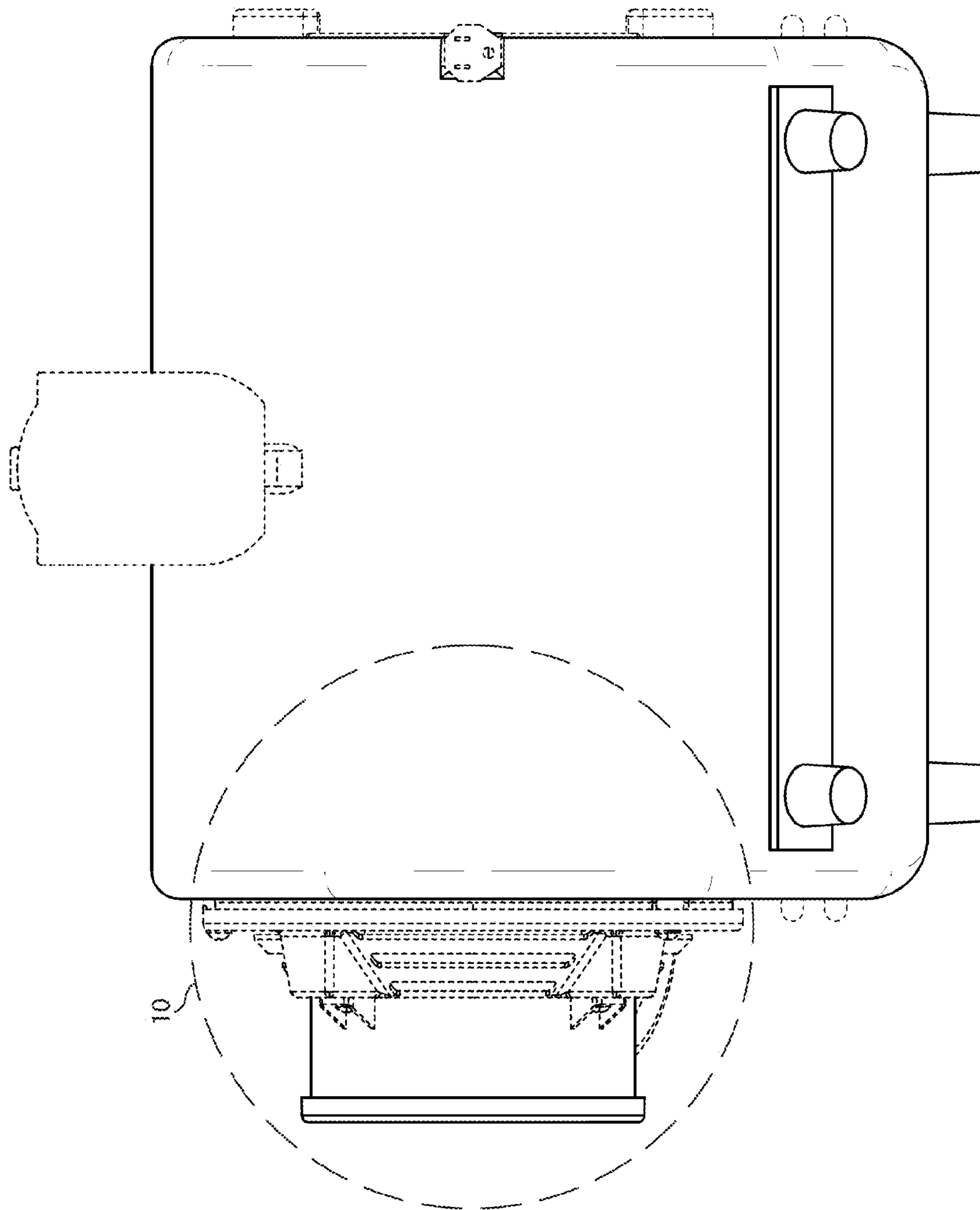


Fig. 9

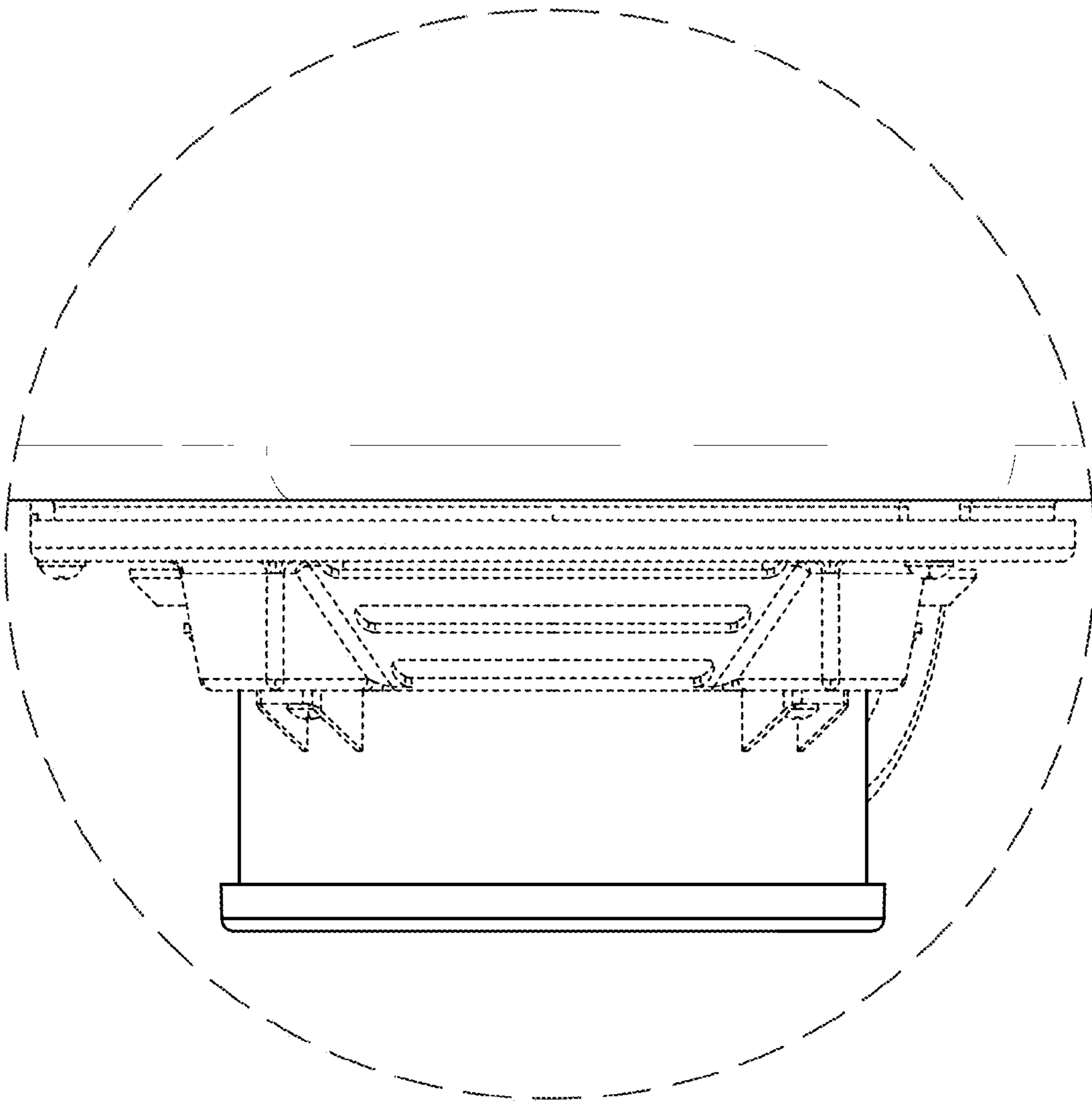


Fig. 10



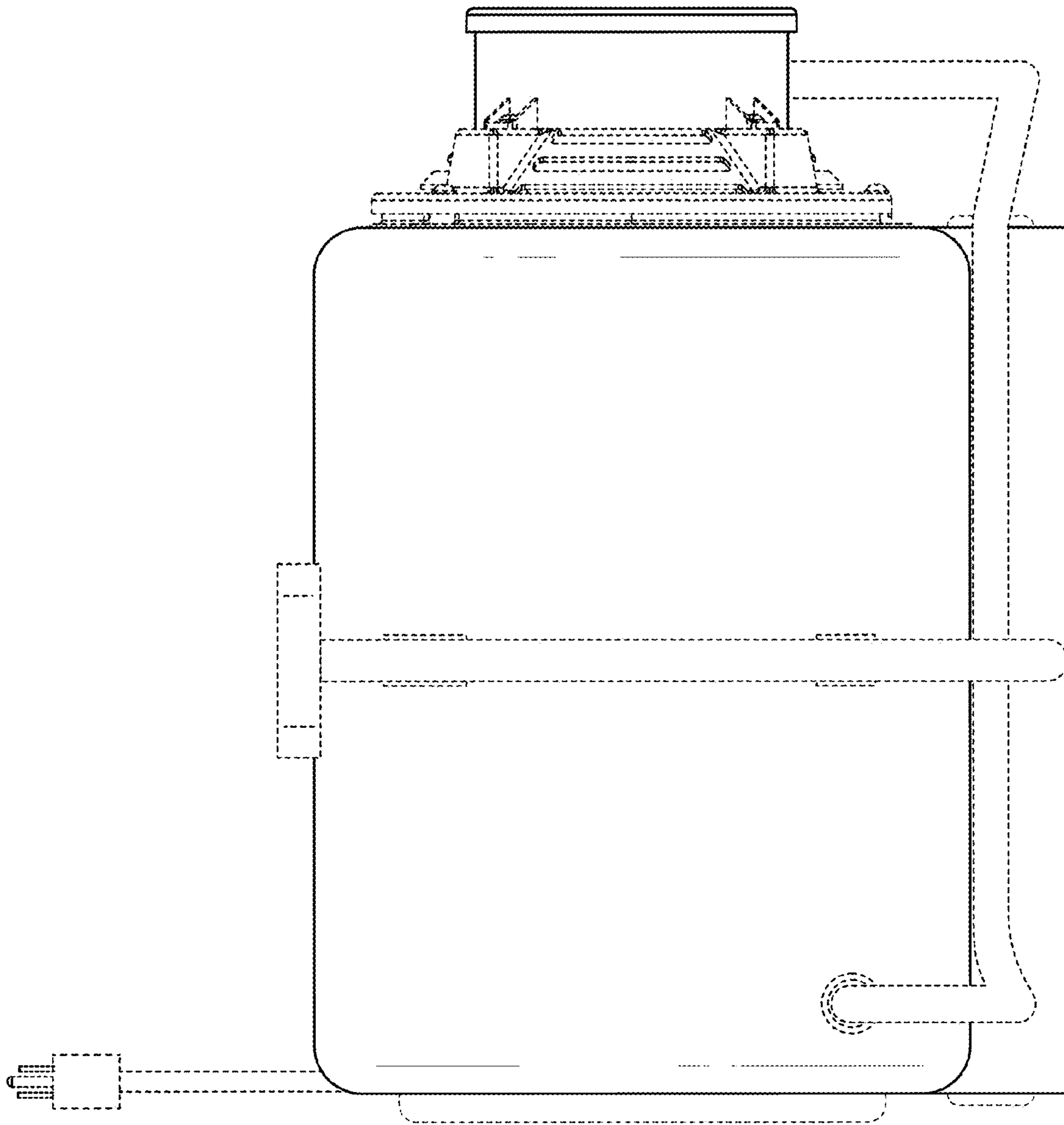


Fig. 11

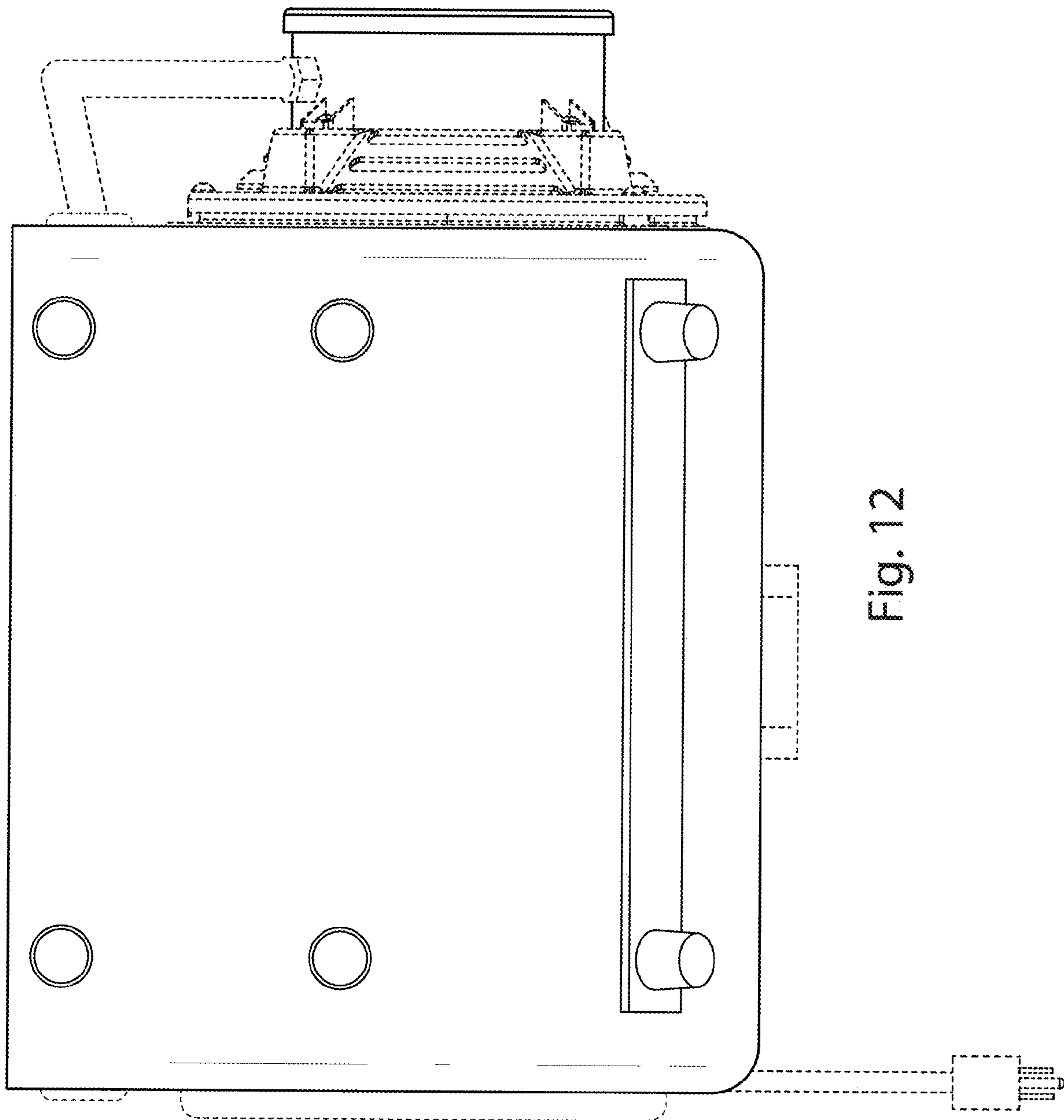


Fig. 12