



US00D934399S

(12) **United States Design Patent** (10) **Patent No.:** **US D934,399 S**  
**Moller et al.** (45) **Date of Patent:** **\*\* Oct. 26, 2021**

(54) **SHOWER DOOR ASSEMBLIES**

(71) Applicant: **Kohler Co.**, Kohler, WI (US)

(72) Inventors: **Adam M. Moller**, Grafton, WI (US);  
**Erich D. Slothower**, Mill Vallery, CA (US);  
**Thomas E. Lilly**, Sheboygan, WI (US)

(73) Assignee: **KOHLER CO.**, Kohler, WI (US)

(\*\*) Term: **15 Years**

(21) Appl. No.: **29/692,257**

(22) Filed: **May 23, 2019**

(51) **LOC (13) Cl.** ..... **23-02**

(52) **U.S. Cl.**  
USPC ..... **D23/305**

(58) **Field of Classification Search**  
USPC .... D23/283, 304-305; D25/48.3, 48.5, 48.8,  
D25/103; D8/310, 315, 323  
CPC . A47K 3/34; A47K 3/36; A47K 3/362; A47K  
3/367; A47K 3/283; A47K 3/284; E06B  
3/4681; E06B 3/02; E06B 3/4636  
See application file for complete search history.

(56) **References Cited**

U.S. PATENT DOCUMENTS

- 1,664,543 A \* 4/1928 Easterman ..... E06B 1/38  
52/204.58
- D251,410 S \* 3/1979 Pittenger ..... D8/316
- D321,755 S 11/1991 Poulson et al.
- 5,642,959 A \* 7/1997 Greferath ..... A47K 3/36  
4/596

(Continued)

*Primary Examiner* — Robert A Delehanty

(74) *Attorney, Agent, or Firm* — Foley & Lardner LLP

(57) **CLAIM**

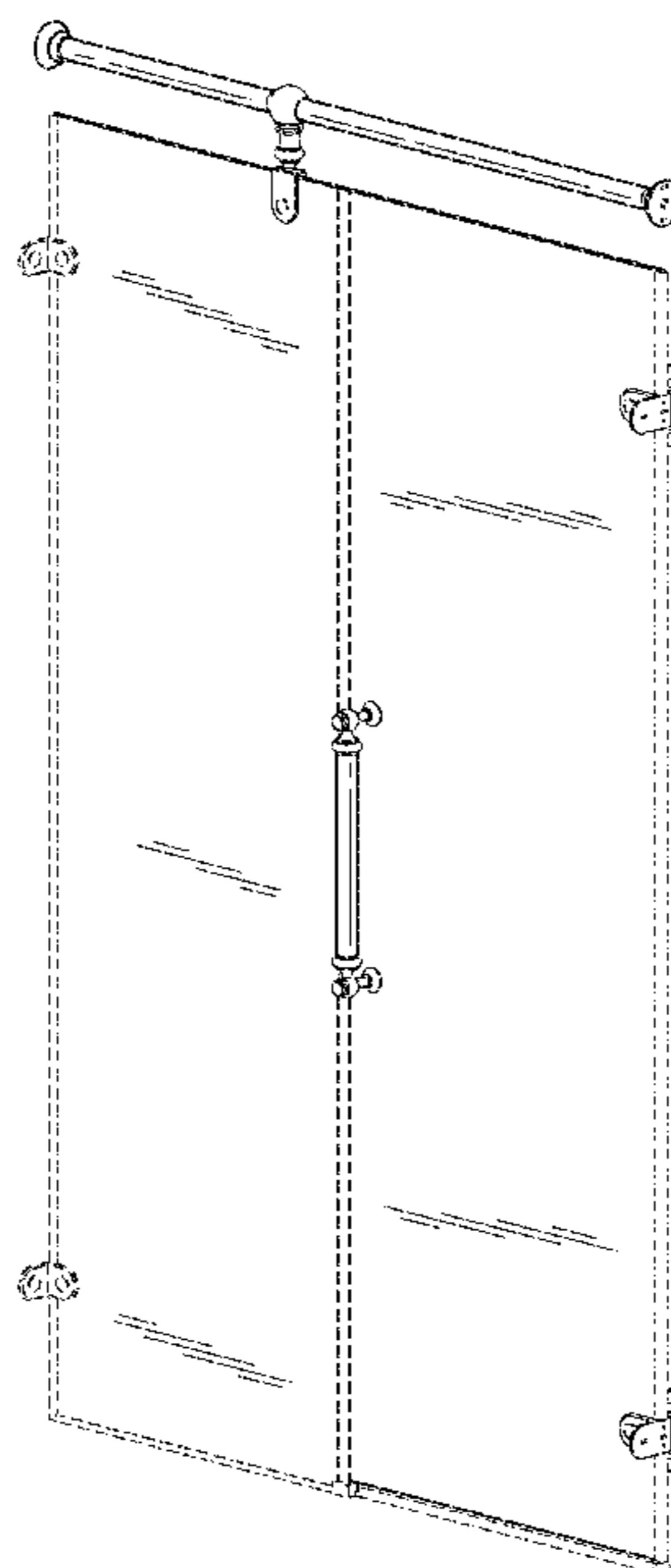
We claim the ornamental design for shower door assemblies, as shown and described.

**DESCRIPTION**

FIG. 1 is a perspective view of an embodiment of the claimed design;  
 FIG. 2 is another perspective view of the embodiment of FIG. 1;  
 FIG. 3 is a rear view of the embodiment of FIG. 1;  
 FIG. 4 is a front view of the embodiment of FIG. 1;  
 FIG. 5 is a side view of the embodiment of FIG. 1;  
 FIG. 6 is another side view of the embodiment of FIG. 1;  
 FIG. 7 is a top view of the embodiment of FIG. 1;  
 FIG. 8 is a bottom view of the embodiment of FIG. 1;  
 FIG. 9 is a perspective view of another embodiment of the claimed design;  
 FIG. 10 is another perspective view of the embodiment of FIG. 9;  
 FIG. 11 is a rear view of the embodiment of FIG. 9;  
 FIG. 12 is a front view of the embodiment of FIG. 9;  
 FIG. 13 is a side view of the embodiment of FIG. 9;  
 FIG. 14 is another side view of the embodiment of FIG. 9;  
 FIG. 15 is a top view of the embodiment of FIG. 9;  
 FIG. 16 is a bottom view of the embodiment of FIG. 9; and,  
 FIG. 17 is an enlarged view of the hinge shown in perspective in FIGS. 2 and 10 thereof.

The ornamental design that is claimed is shown in the drawings as solid lines and surfaces having surface shading. The broken lines in the drawings are for illustrative purposes only and form no part of the claimed design. For example, broken lines formed by equal length dashes show unclaimed portions of the design. Broken lines formed of unequal length dashes (i.e., dash-dot) show boundaries between either claimed and unclaimed portions of the design or between unclaimed and unclaimed portions of the design. The broken away symbols in the drawings indicate that any portion of the article beyond what is shown forms no part of the claimed design.

**1 Claim, 13 Drawing Sheets**



(56)

**References Cited**

U.S. PATENT DOCUMENTS

D523,124	S *	6/2006	Lebrun	.....	D23/283
D544,585	S *	6/2007	Lebrun	.....	D23/283
D564,643	S	3/2008	Pipe		
D565,385	S *	4/2008	Jou	.....	D8/307
D568,973	S	5/2008	Pipe		
D600,056	S	9/2009	Coronado Careaga		
D603,490	S	11/2009	Stanchak		
D606,636	S	12/2009	Stanchak		
D792,188	S *	7/2017	Zimmer	.....	D8/310
D803,659	S *	11/2017	Zimmer	.....	D8/316
D816,816	S *	5/2018	Shtraks	.....	D23/305
10,036,190	B2 *	7/2018	Minkovich	.....	E05D 15/0656
D826,684	S *	8/2018	Tseng	.....	D8/310
10,455,989	B2 *	10/2019	Wei	.....	E05D 13/00
2004/0003459	A1 *	1/2004	Ferreri	.....	A47H 27/00
					4/597
2017/0311763	A1 *	11/2017	Morin	.....	E05D 15/0608
2018/0344098	A1 *	12/2018	Lieb	.....	E05D 7/1044
2019/0038084	A1 *	2/2019	Abrams	.....	E05D 5/0246
2019/0254486	A1 *	8/2019	Mironchuk	.....	E05D 15/0691

\* cited by examiner

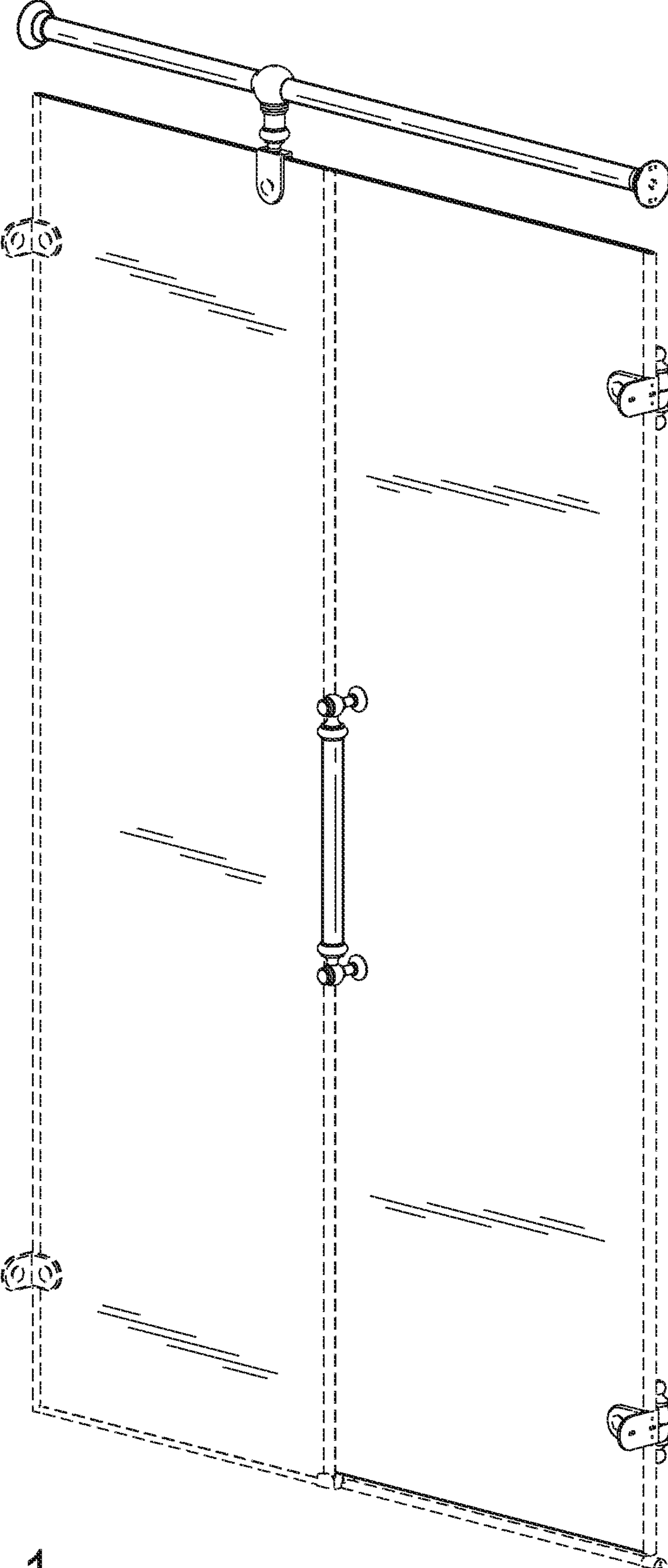


FIG. 1

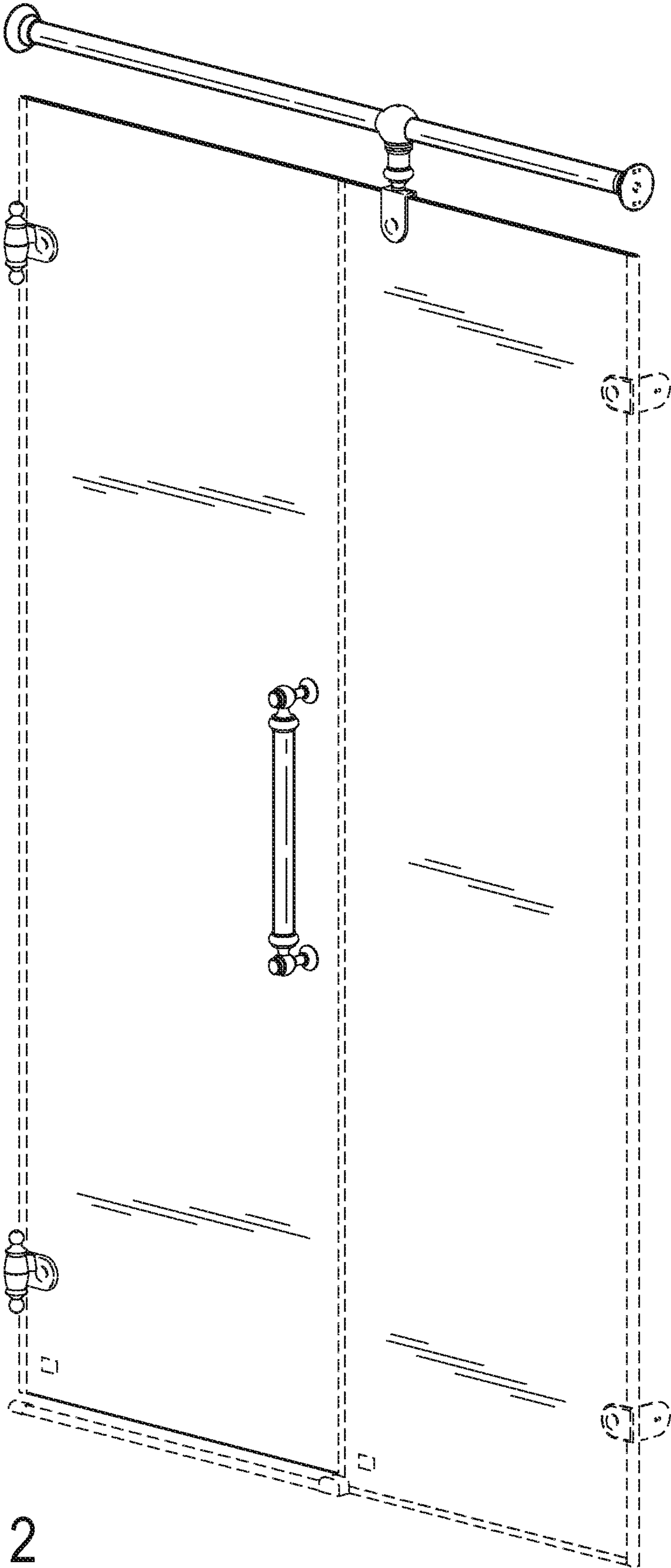


FIG. 2

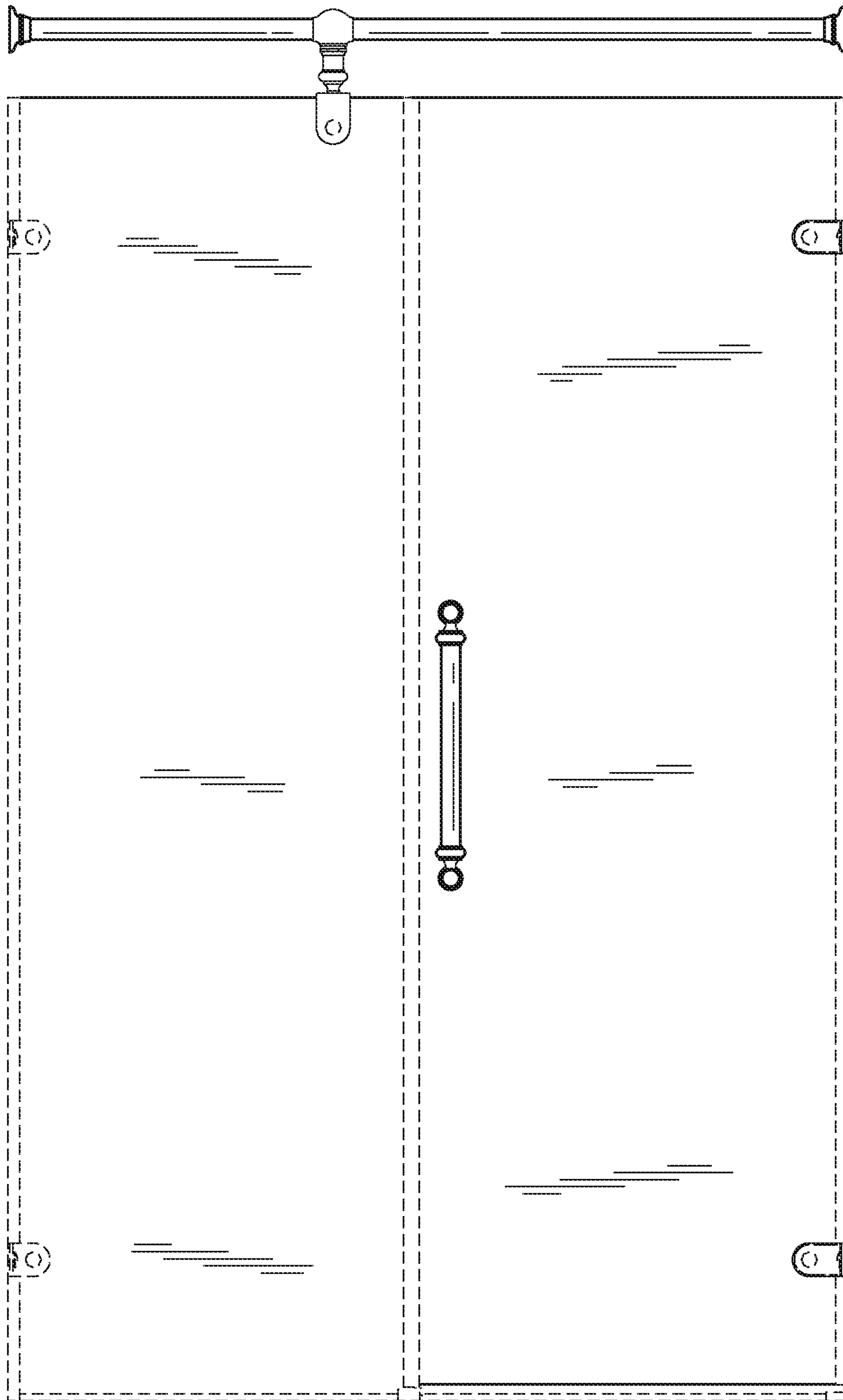


FIG. 3

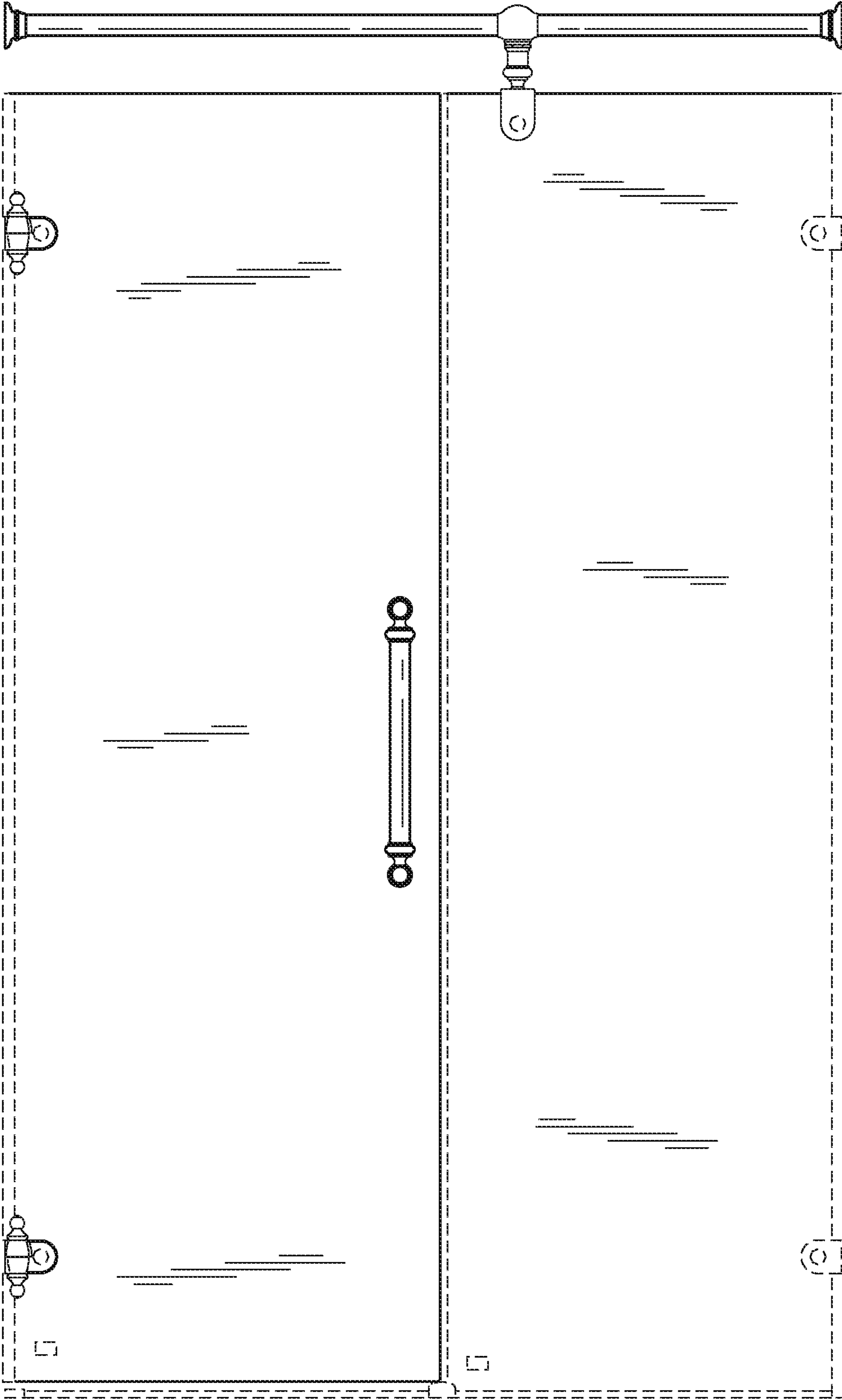


FIG. 4

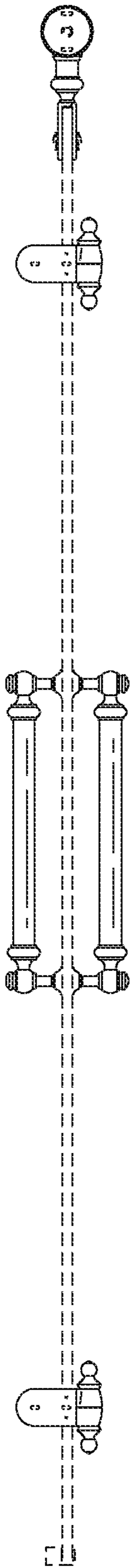


FIG. 5

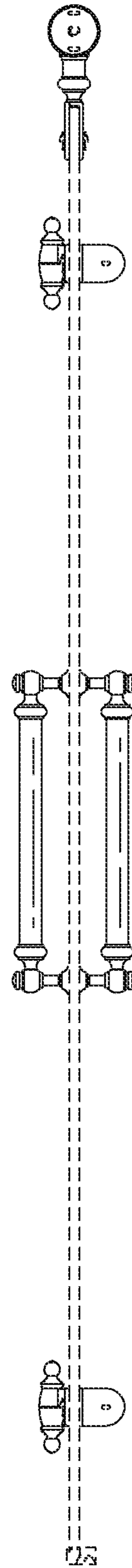


FIG. 6

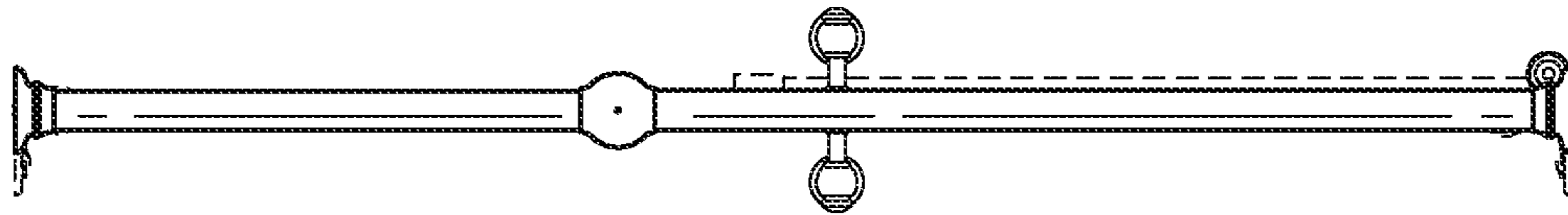


FIG. 7

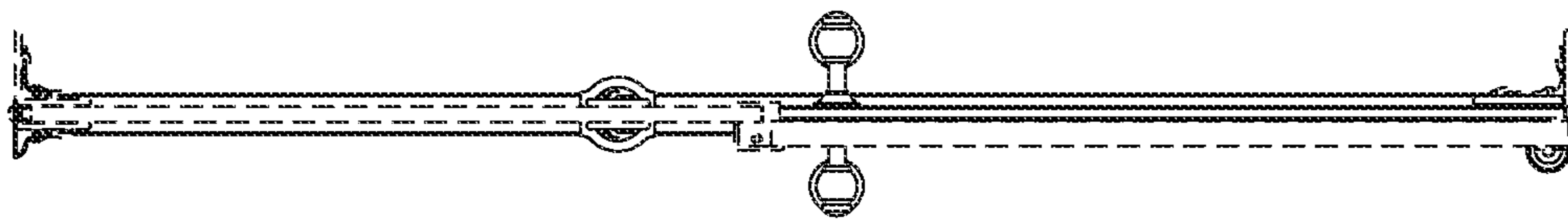


FIG. 8



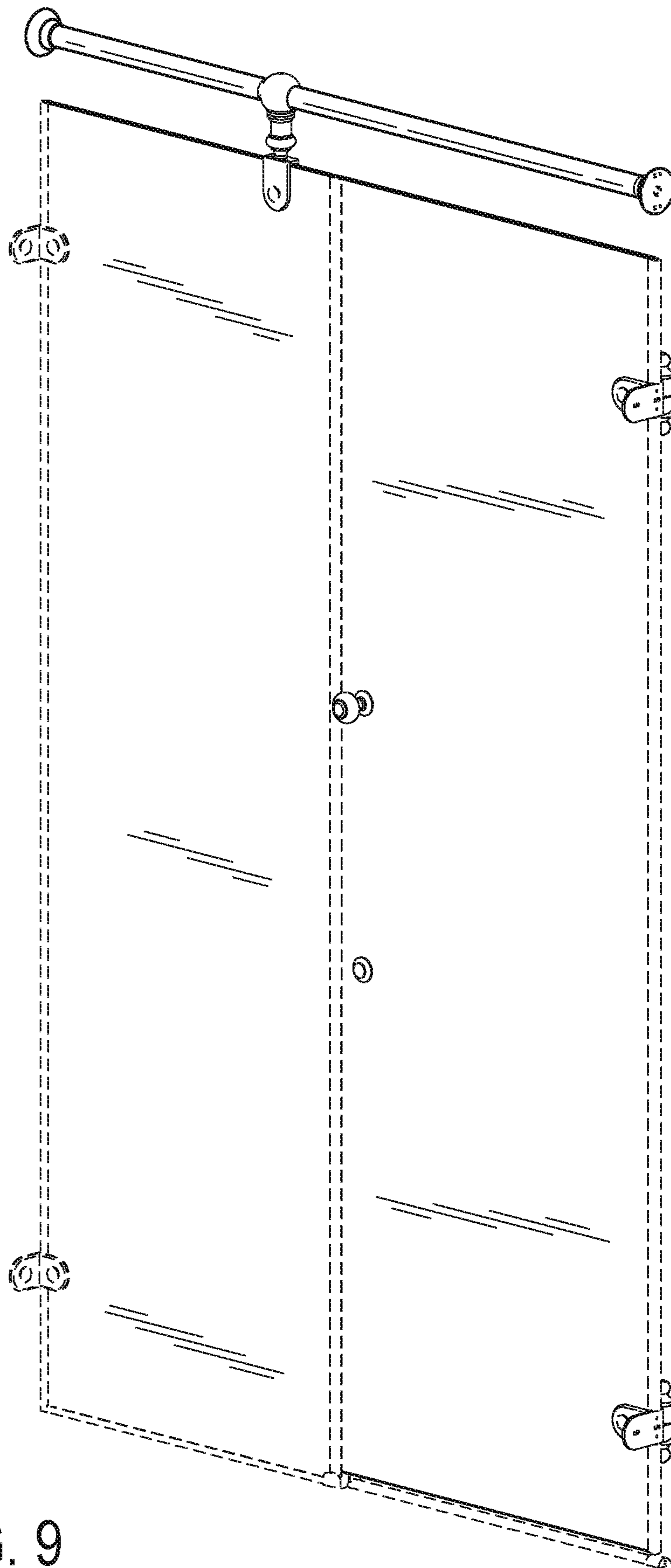


FIG. 9

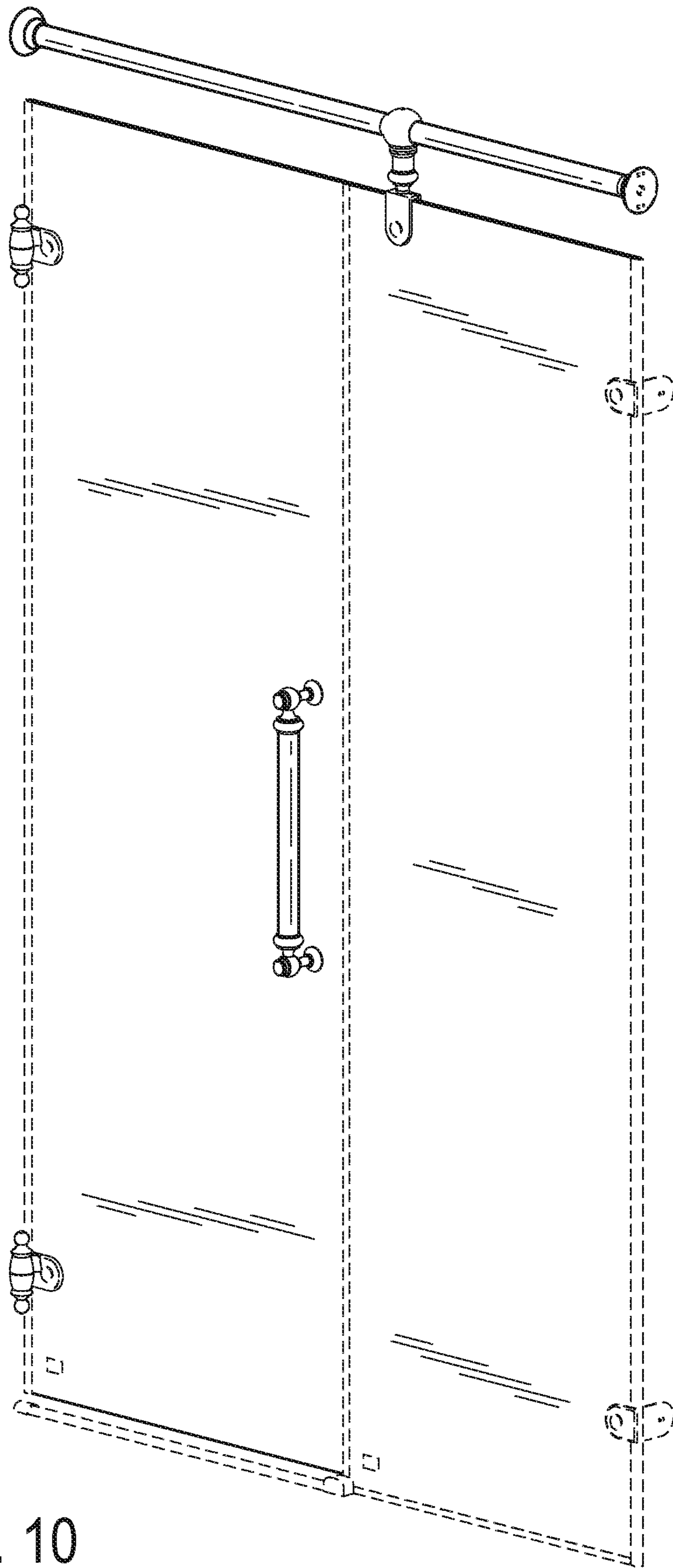


FIG. 10

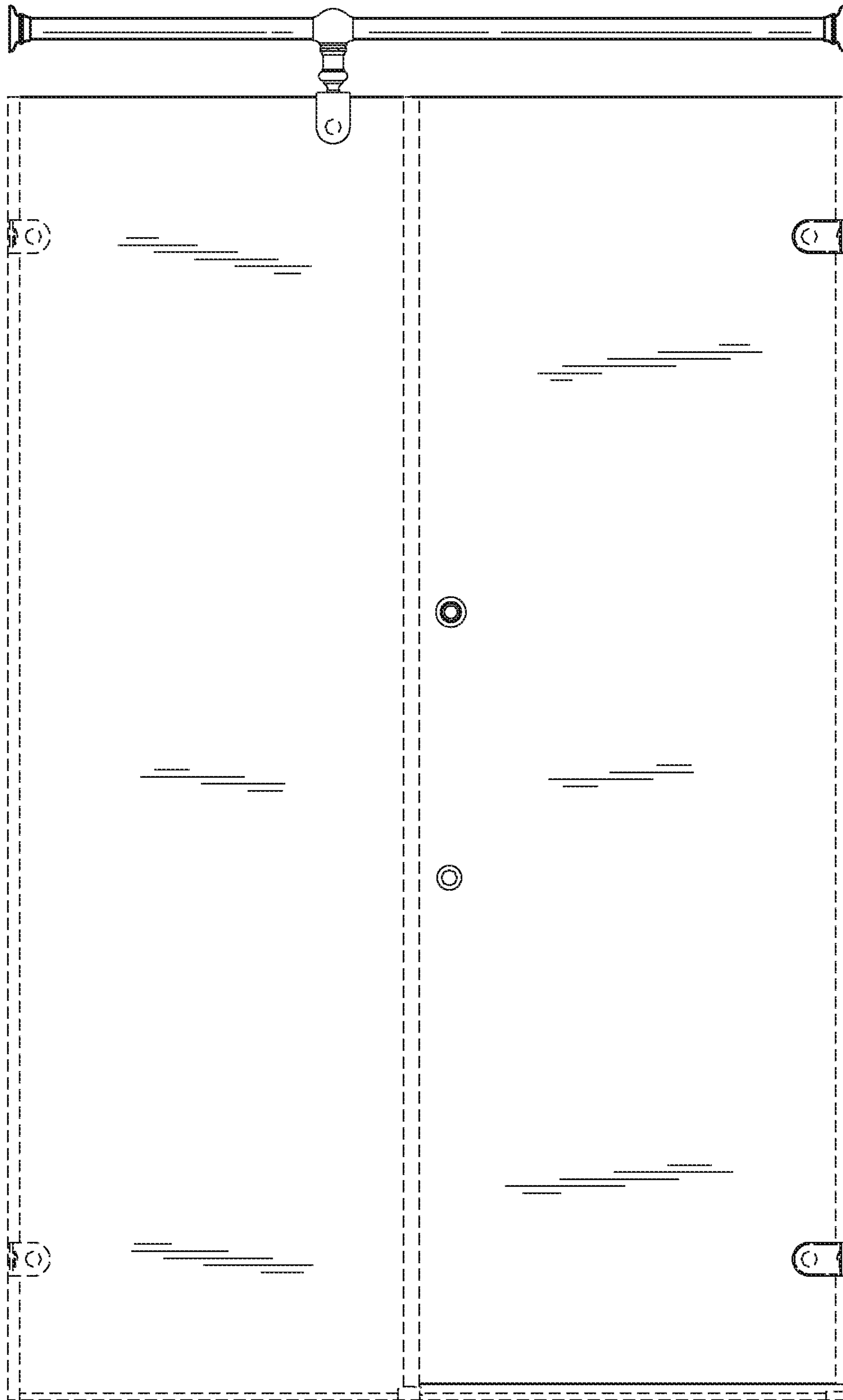


FIG. 11

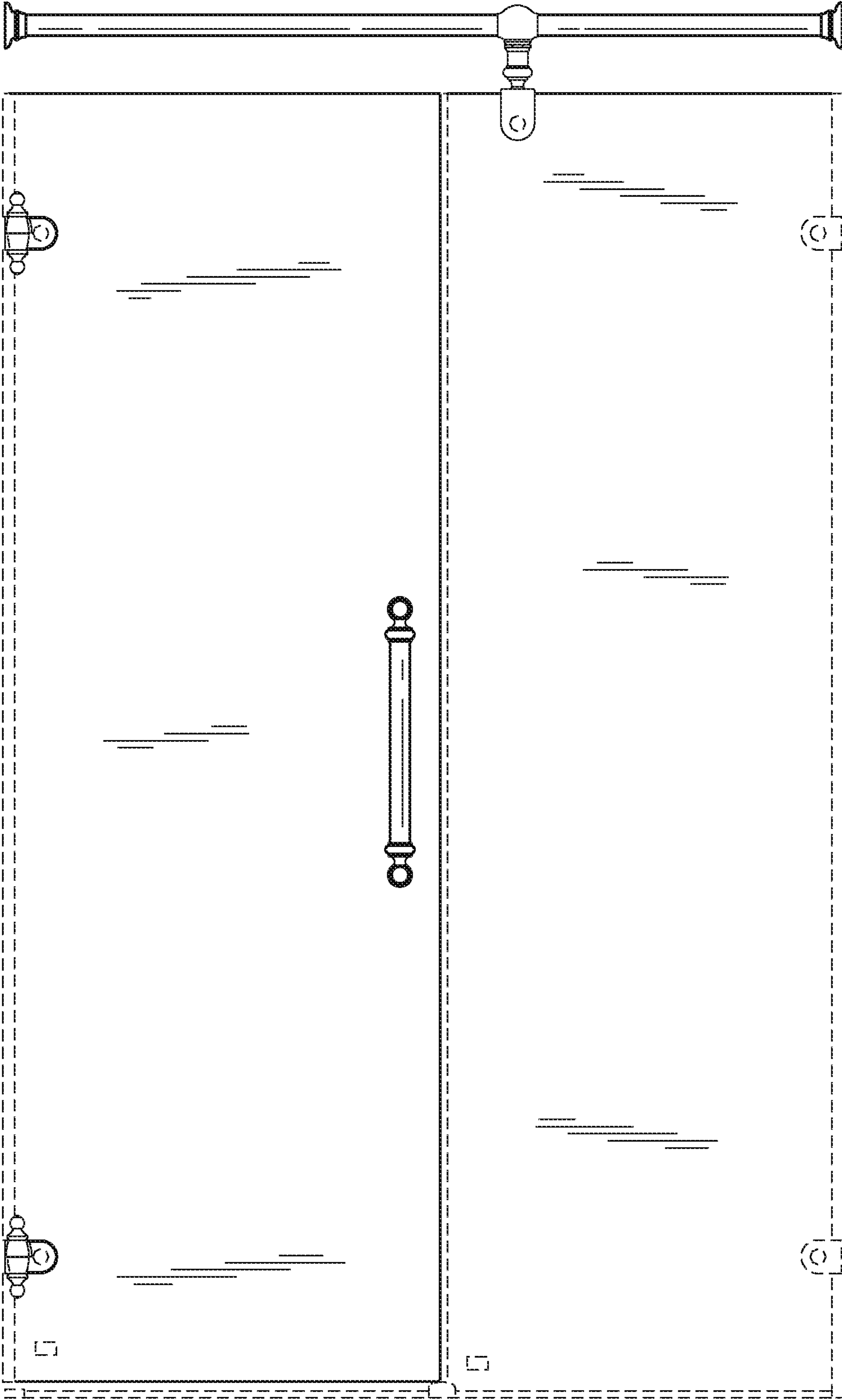


FIG. 12

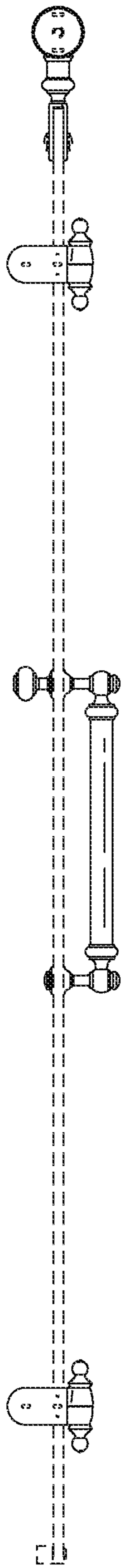


FIG. 13

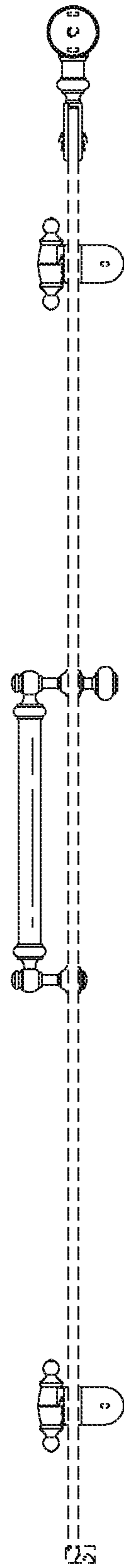


FIG. 14

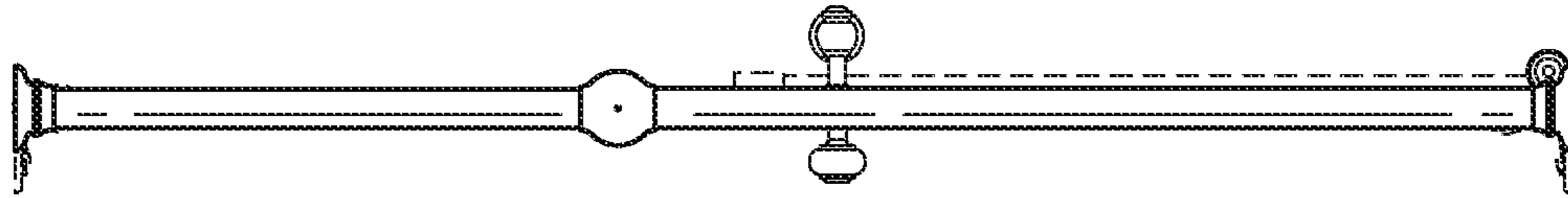


FIG. 15

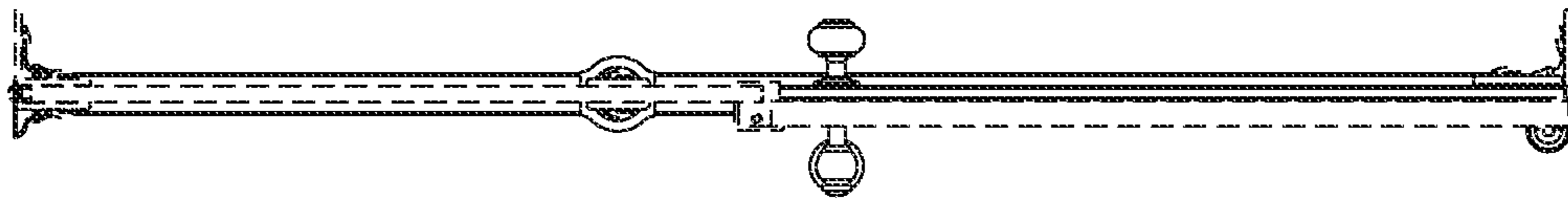


FIG. 16

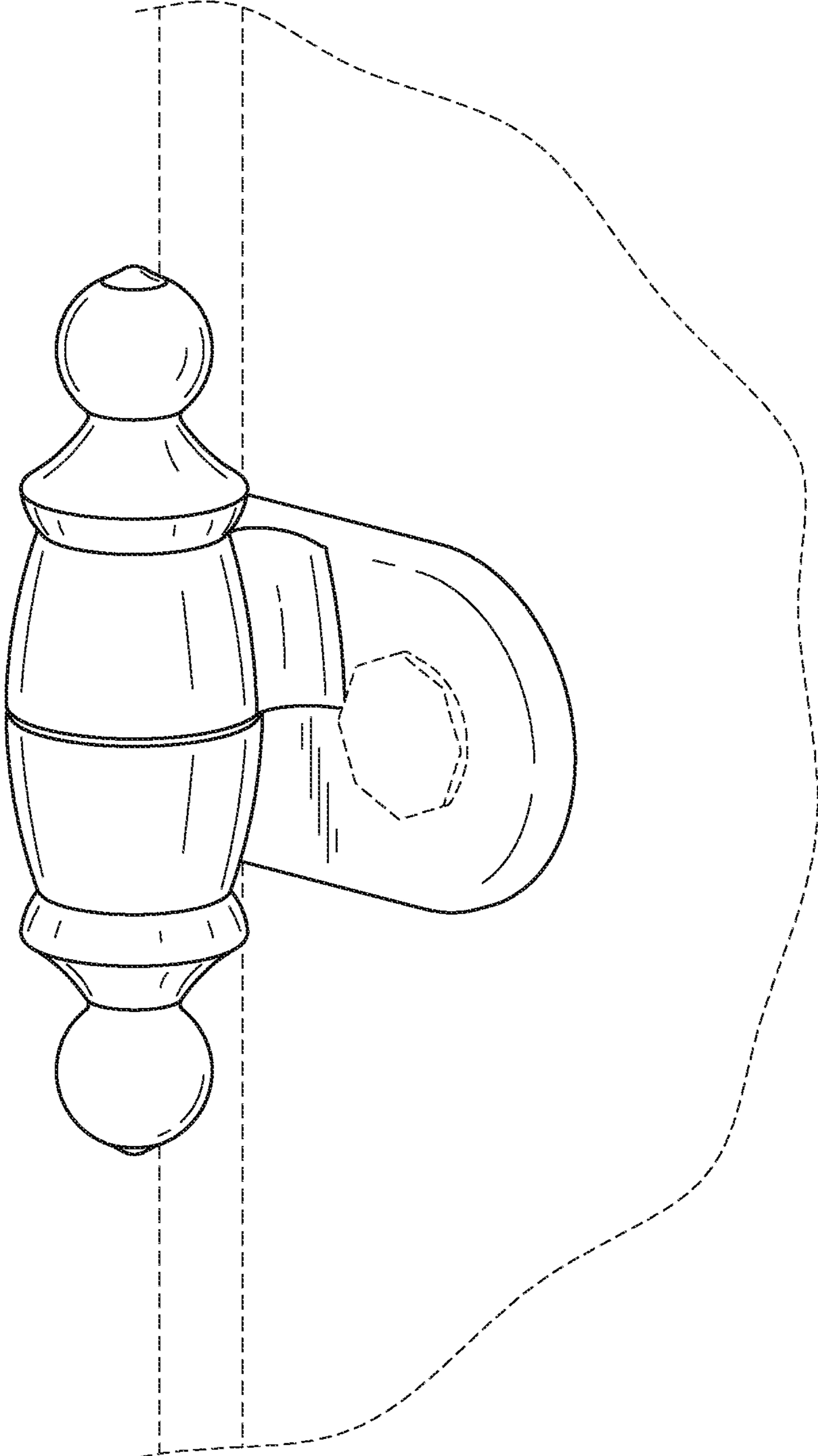


FIG. 17