

US00D934397S

(12) **United States Design Patent** (10) **Patent No.:** **US D934,397 S**
Davis (45) **Date of Patent:** **** Oct. 26, 2021**

- (54) **APRON SINK STATION**
- (71) Applicant: **MORGAN TAP AND BASIN LLC**,
Shawnee, KS (US)
- (72) Inventor: **Nathan K. Davis**, Olathe, KS (US)
- (73) Assignee: **Morgan Tap and Basin LLC**, Olathe,
KS (US)
- (**) Term: **15 Years**
- (21) Appl. No.: **29/724,434**
- (22) Filed: **Feb. 14, 2020**
- (51) **LOC (13) Cl.** **23-01**
- (52) **U.S. Cl.**
USPC **D23/284; D23/290**
- (58) **Field of Classification Search**
USPC D23/284, 286–287, 290, 292, 293.1, 308
CPC A47K 1/04; A47B 77/06
See application file for complete search history.

(56) **References Cited**

U.S. PATENT DOCUMENTS

D587,351 S	2/2009	Eilmus et al.	
D588,246 S	3/2009	Eilums et al.	
D627,448 S *	11/2010	Kehrer	D23/290
D632,373 S *	2/2011	Kehrer	D23/293.1
D663,389 S *	7/2012	Miller	D23/293.1
D669,559 S *	10/2012	Booth	D23/290
D671,197 S *	11/2012	Miller	D23/290
D700,300 S	2/2014	Rachiele	
D700,301 S	2/2014	Rachiele	
D702,334 S	4/2014	Rachiele	
9,492,011 B2 *	11/2016	Booth	A47B 77/06
10,151,085 B2 *	12/2018	Chong	E03C 1/182
D869,618 S *	12/2019	Walther	D23/284

D911,497 S *	2/2021	Levi	D23/284
D914,170 S *	3/2021	Li	D23/290
D918,352 S *	5/2021	Li	D23/290
2014/0259380 A1 *	9/2014	Eilmus	E03C 1/22 4/650
2015/0067962 A1	3/2015	O'Brien et al.	
2021/0112978 A1 *	4/2021	Miller	E03C 1/182

* cited by examiner

Primary Examiner — Robert A Delehanty

(74) *Attorney, Agent, or Firm* — Law Office of Mark Brown, LLC; Christopher M. DeBacker

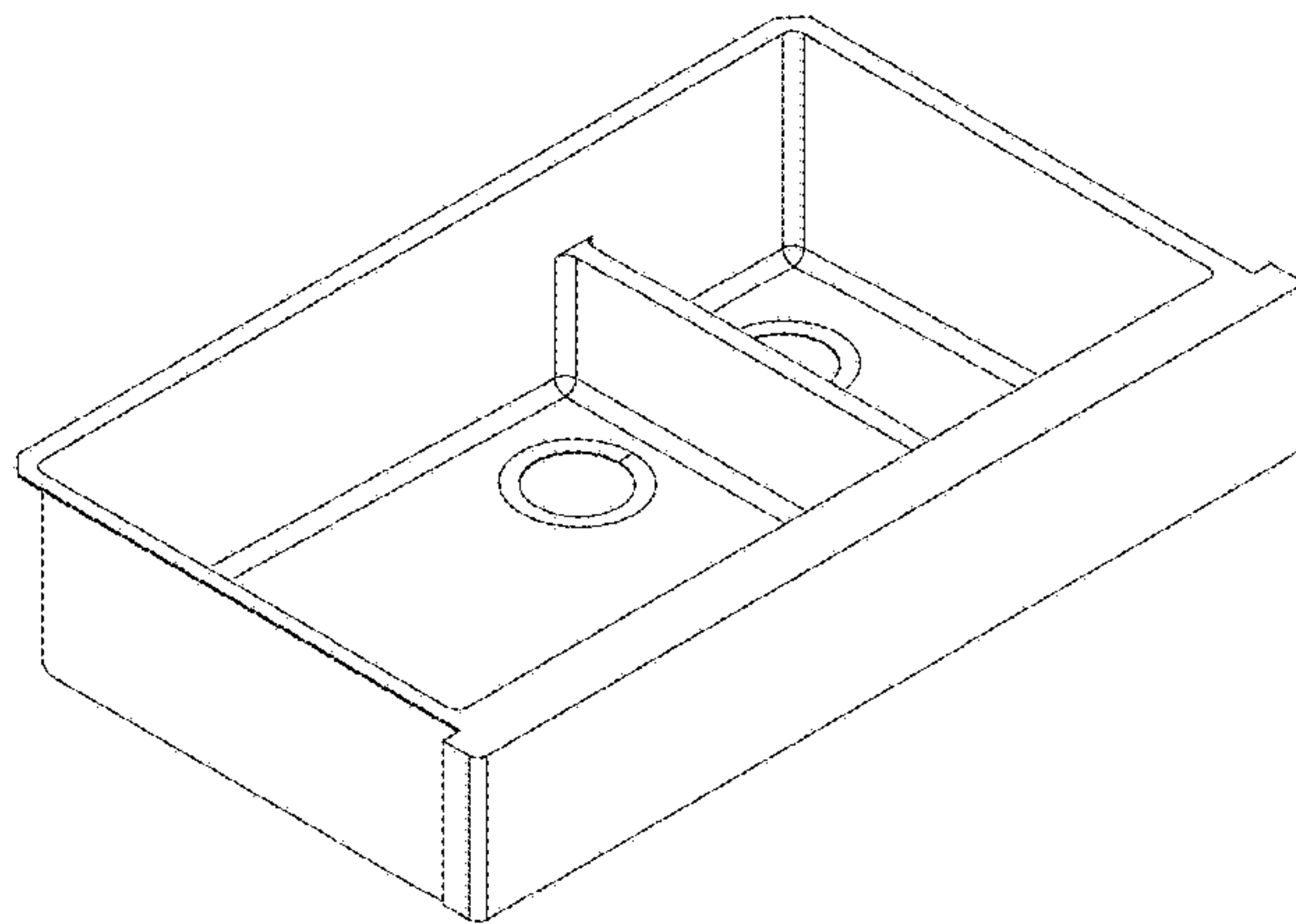
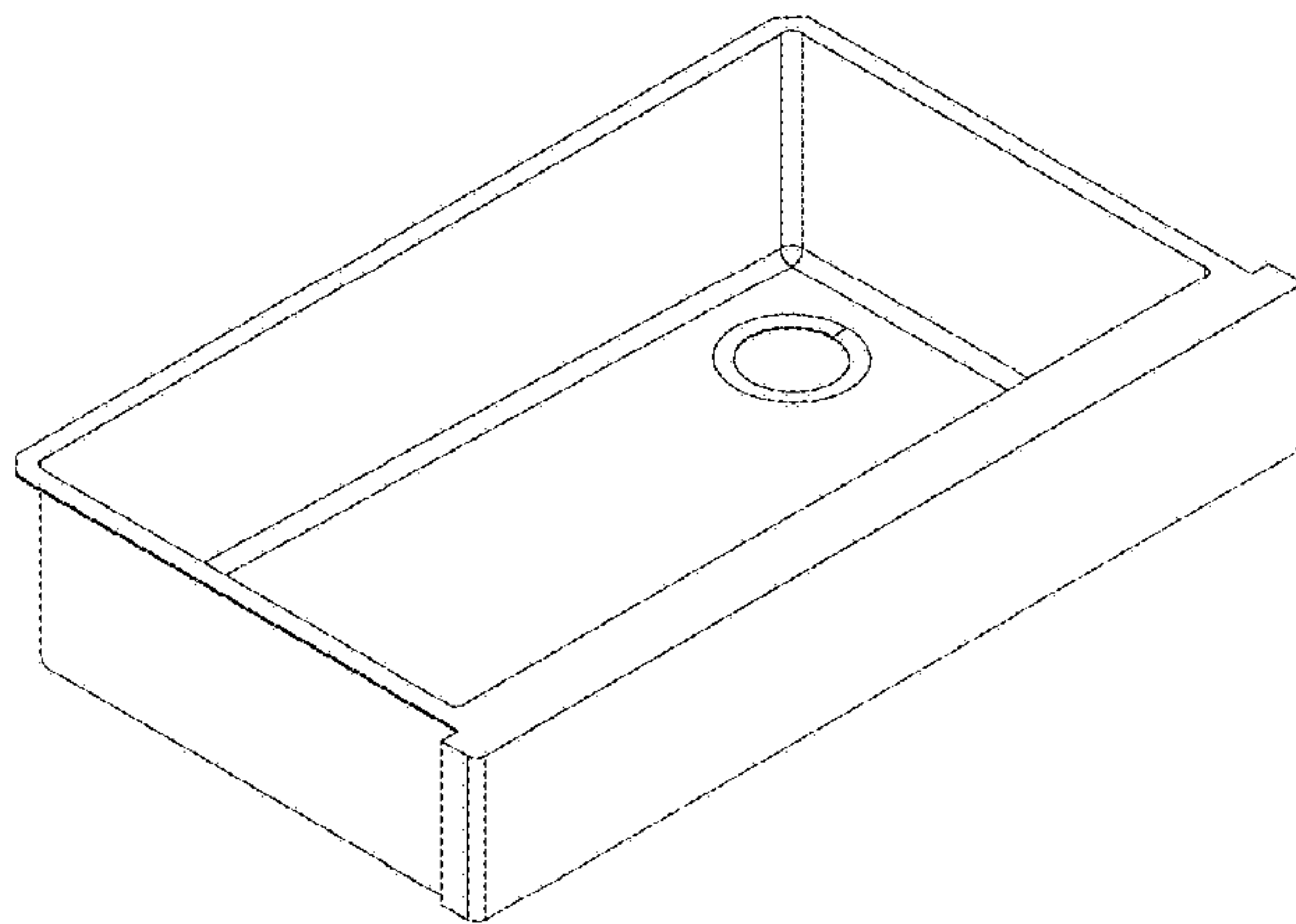
(57) **CLAIM**

The ornamental design for an apron sink station, as shown and described.

DESCRIPTION

FIG. 1 is a three-dimensional top isometric view of a preferred embodiment of the present invention;
 FIG. 2 is a three-dimensional bottom isometric view thereof;
 FIG. 3 is a top plan view thereof;
 FIG. 4 is a right side elevational view thereof, the left side being a mirror image thereof;
 FIG. 5 is a front elevational view thereof;
 FIG. 6 is a rear elevational view thereof;
 FIG. 7 is a bottom plan view thereof;
 FIG. 8 is a three-dimensional top isometric view of an alternative embodiment of the present invention;
 FIG. 9 is a three-dimensional bottom isometric view thereof;
 FIG. 10 is a top plan view thereof;
 FIG. 11 is a right side elevational view thereof, the left side being a mirror image thereof;
 FIG. 12 is a front elevational view thereof;
 FIG. 13 is a rear elevational view thereof; and,
 FIG. 14 is a bottom plan view thereof.

1 Claim, 14 Drawing Sheets



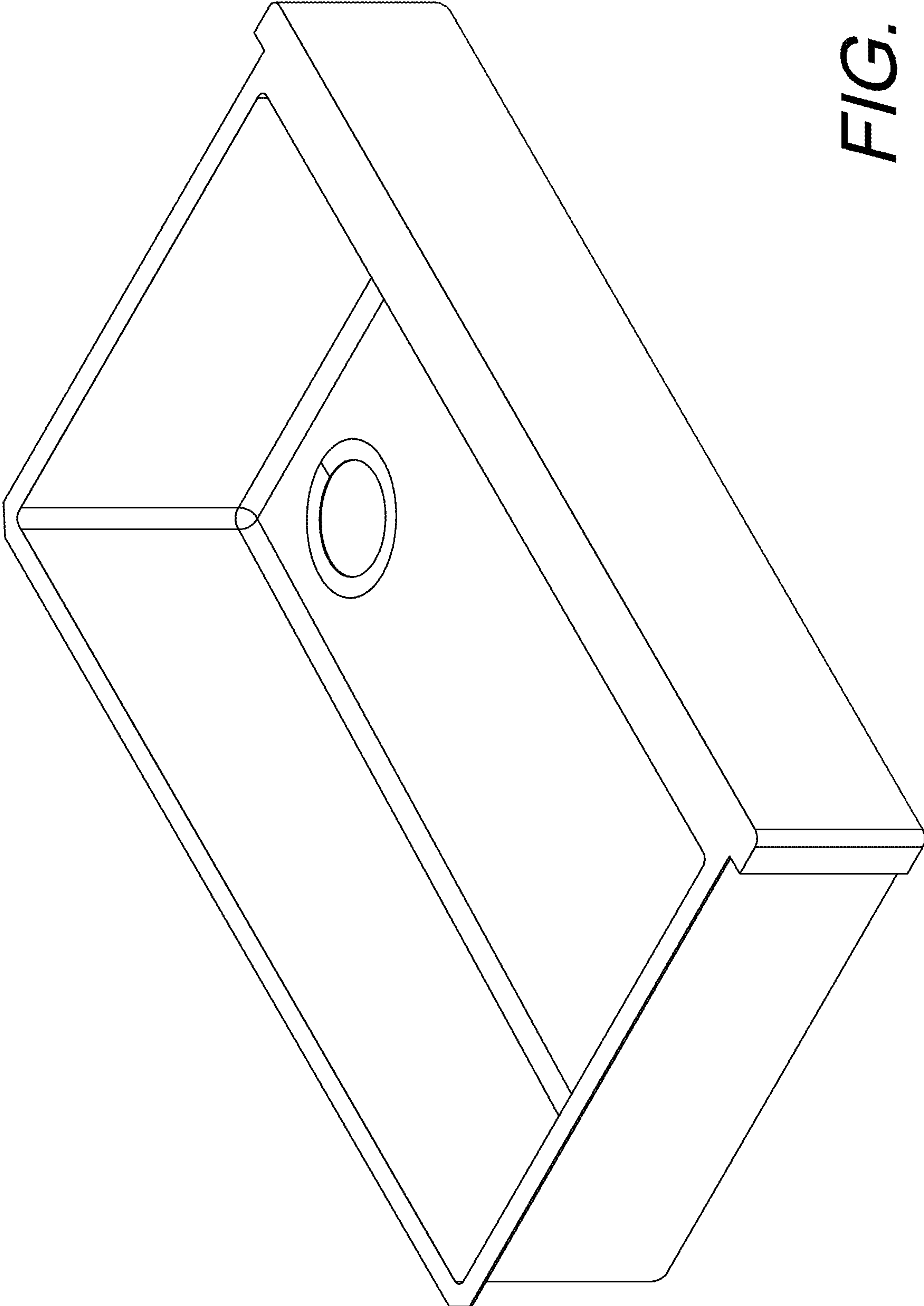


FIG. 1

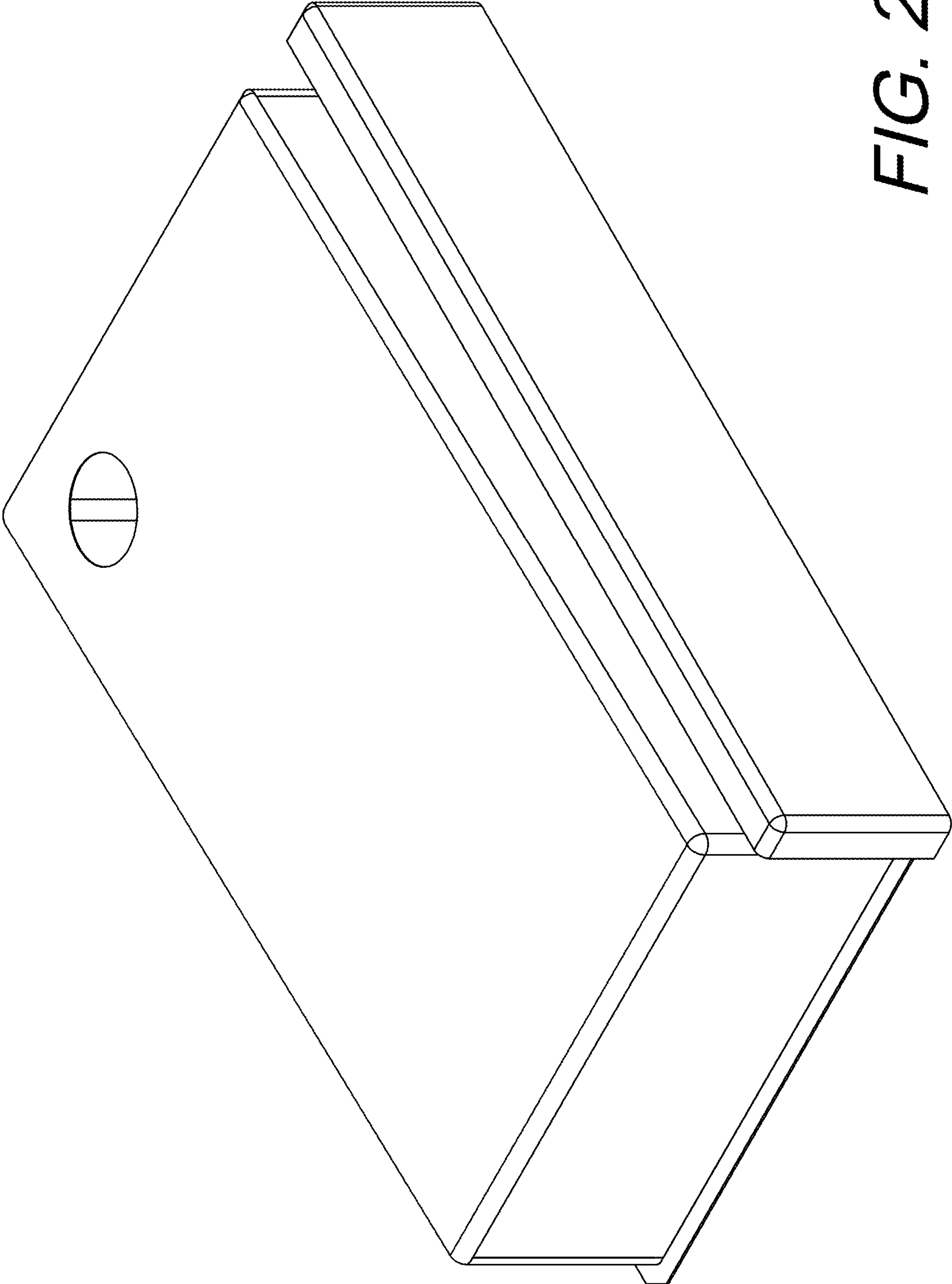


FIG. 2

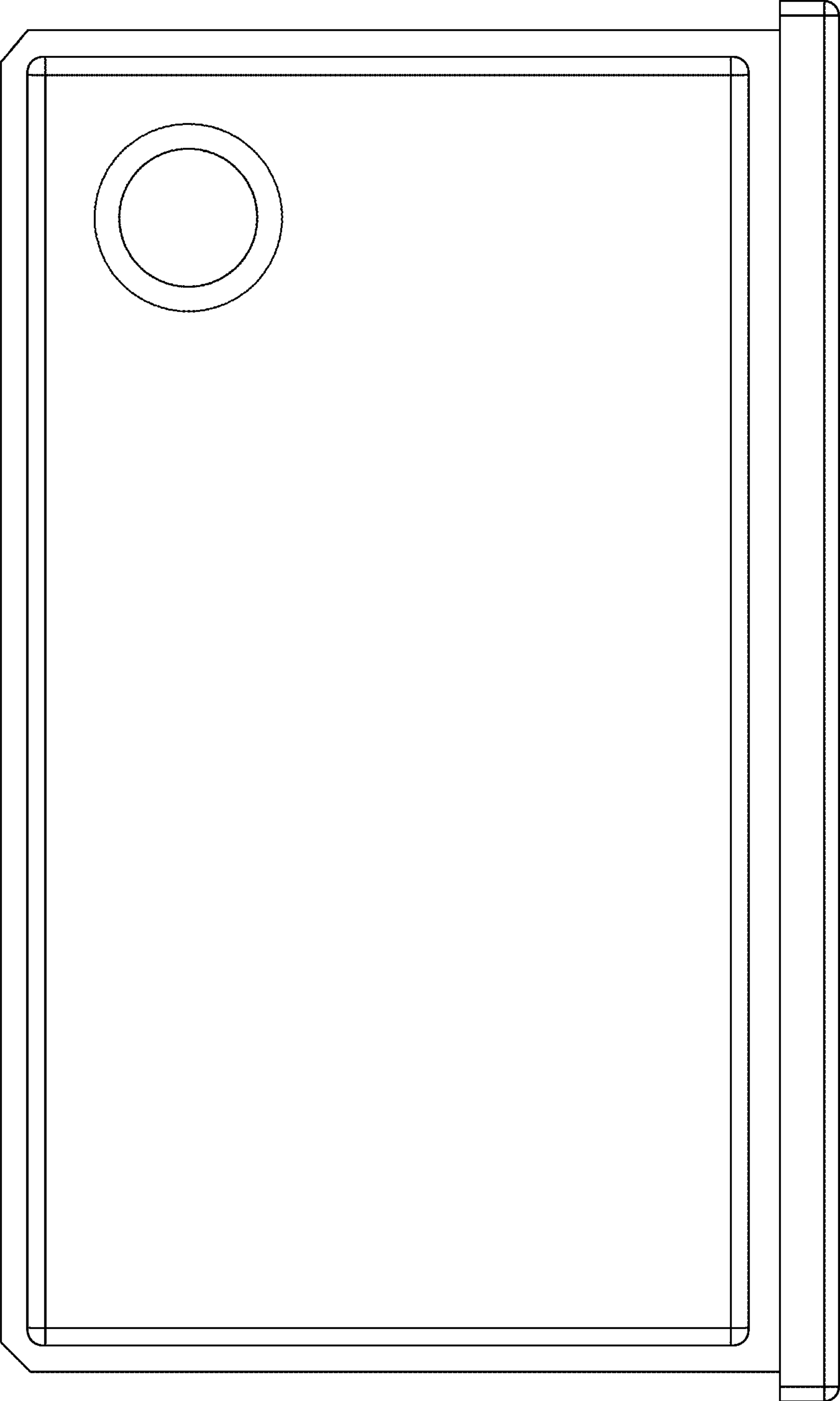


FIG. 3

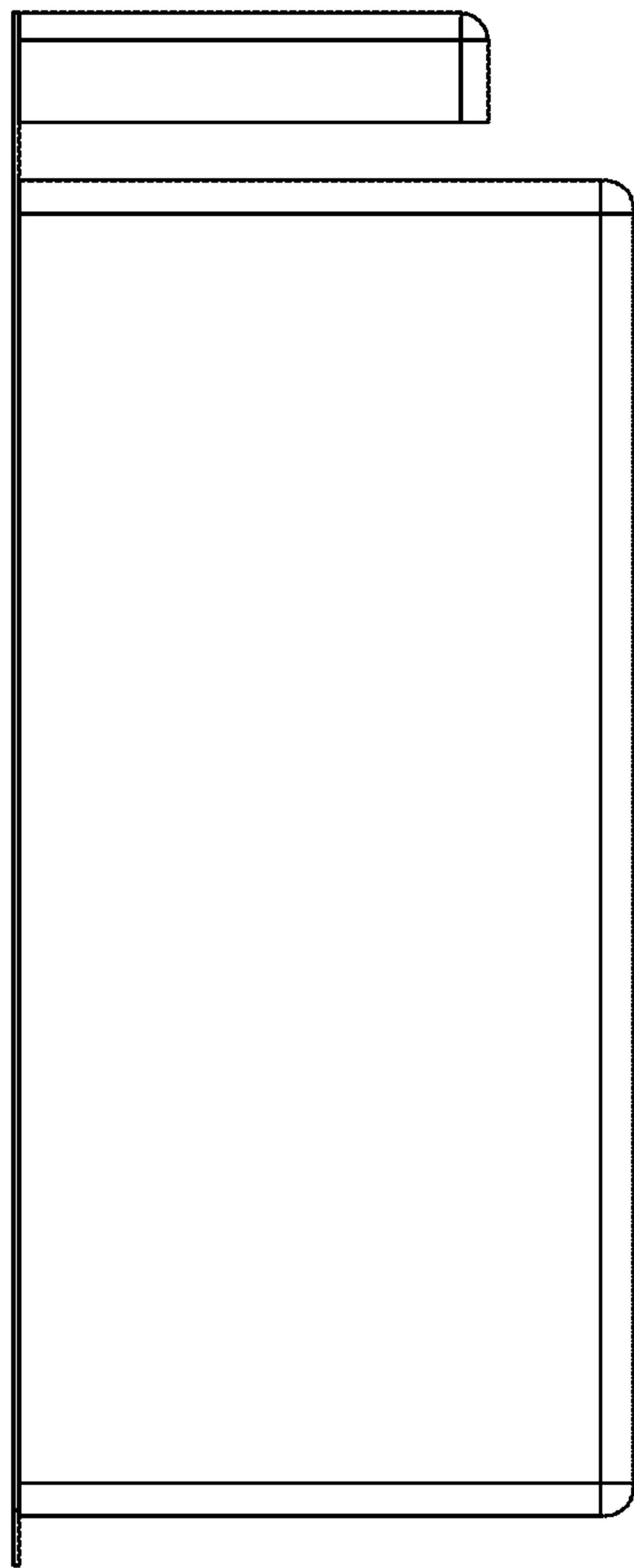


FIG. 4

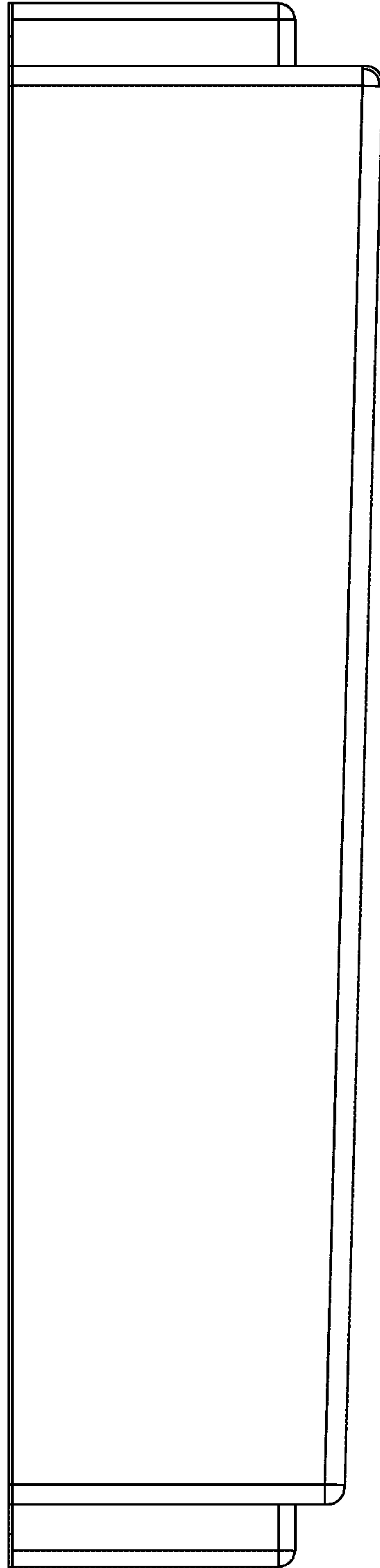


FIG. 5

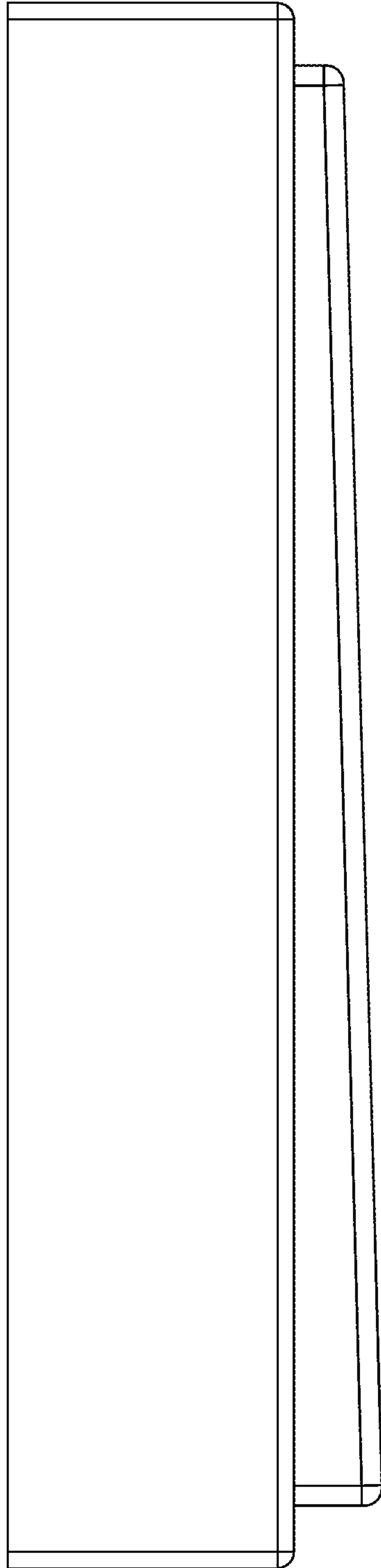


FIG. 6

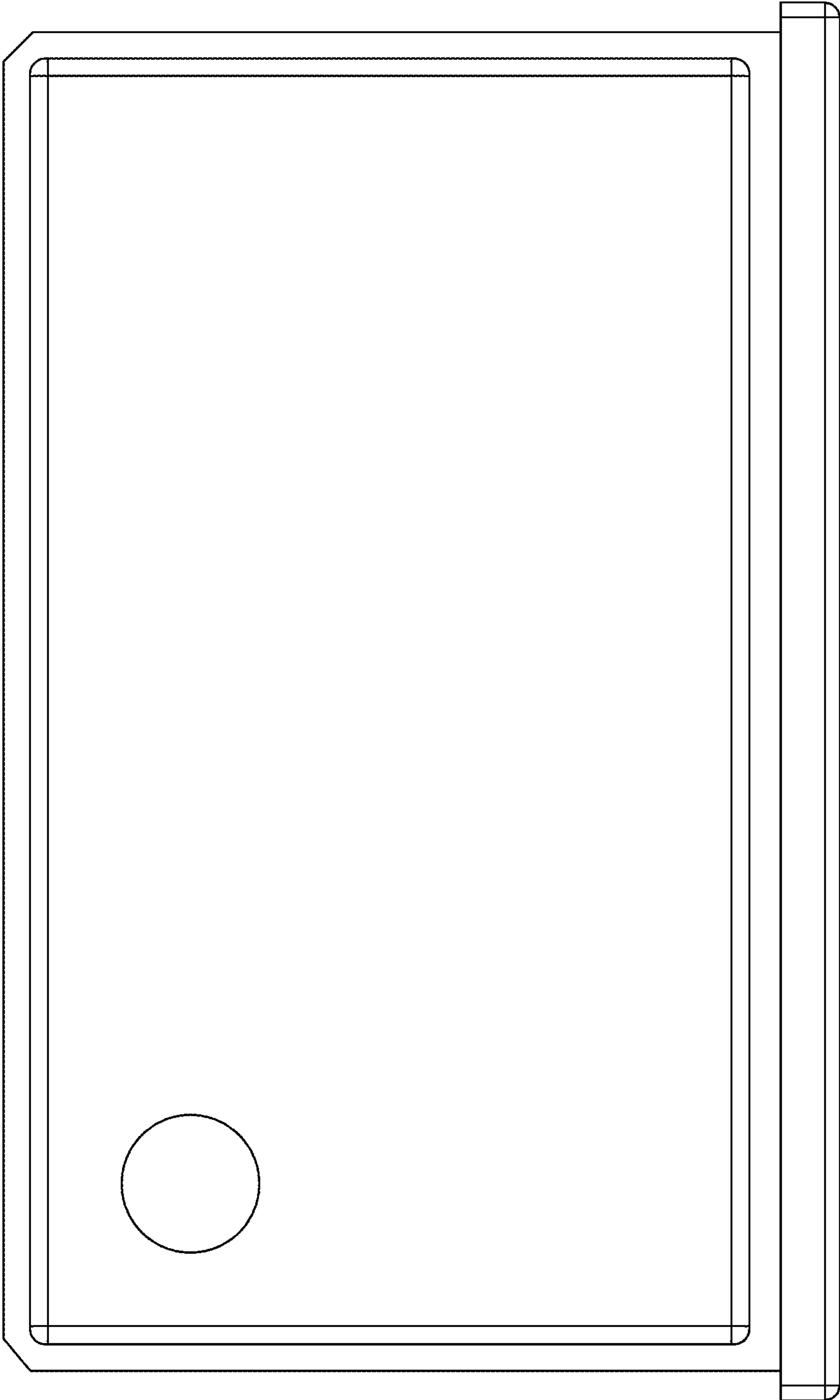


FIG. 7

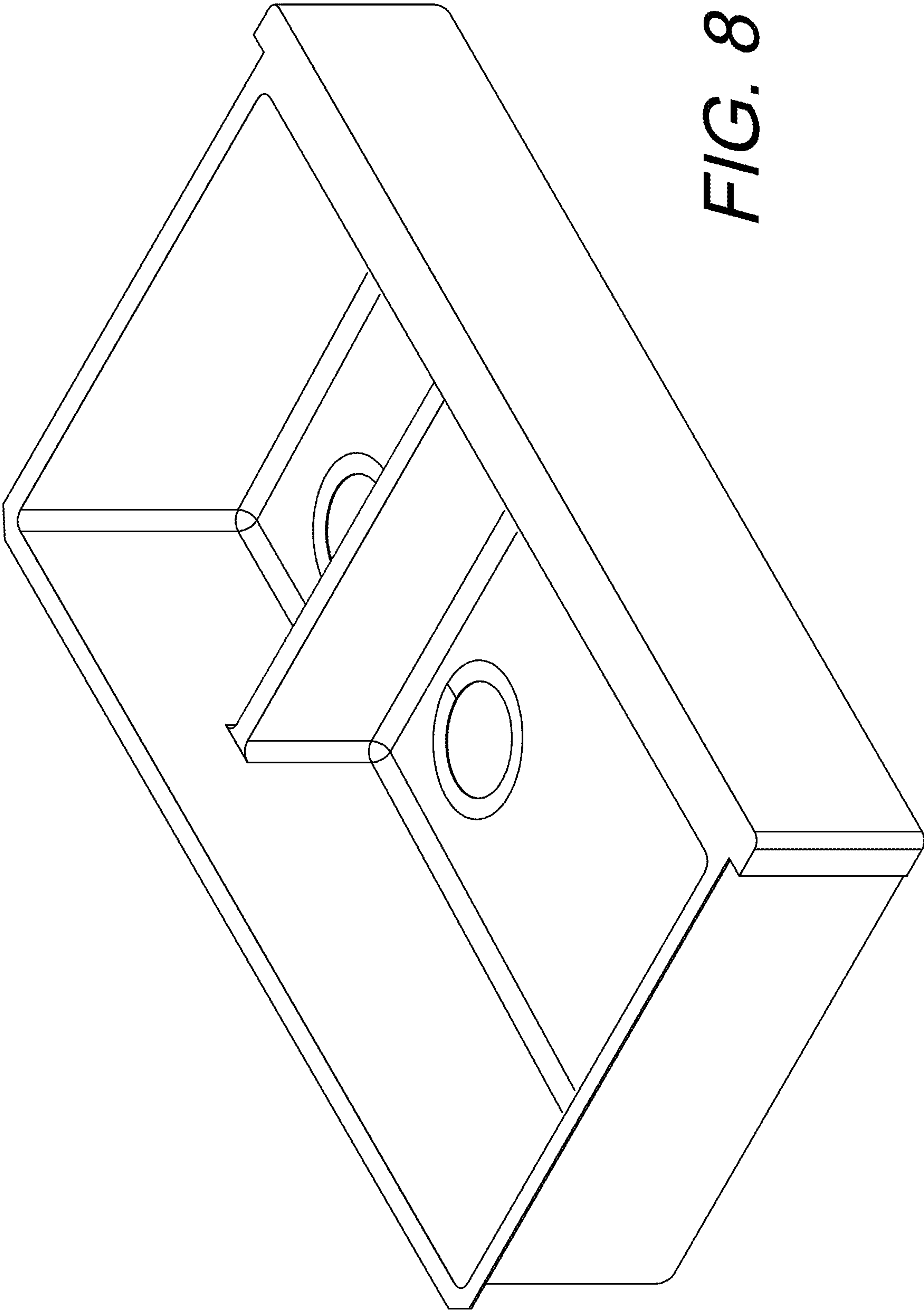


FIG. 8

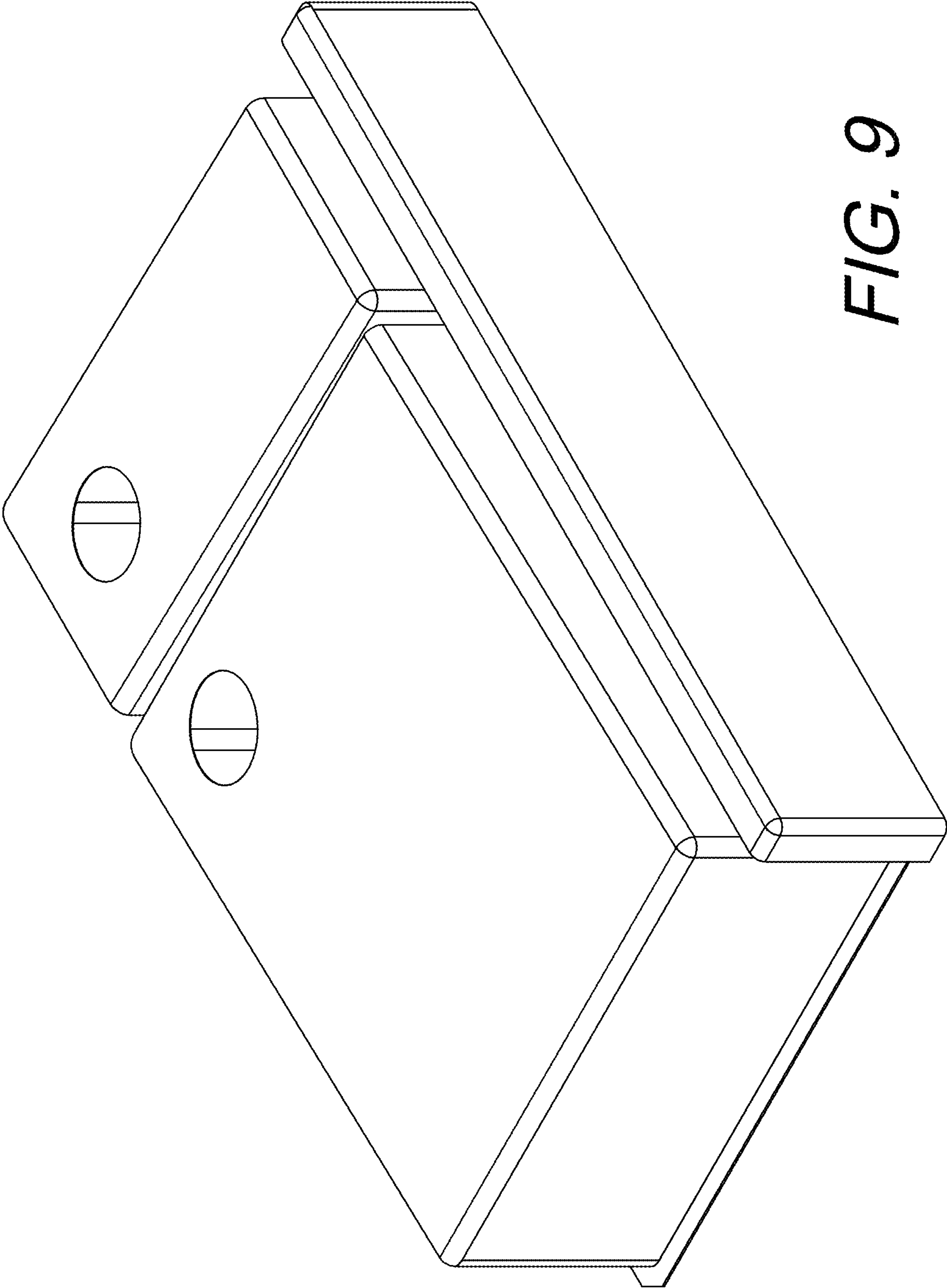


FIG. 9

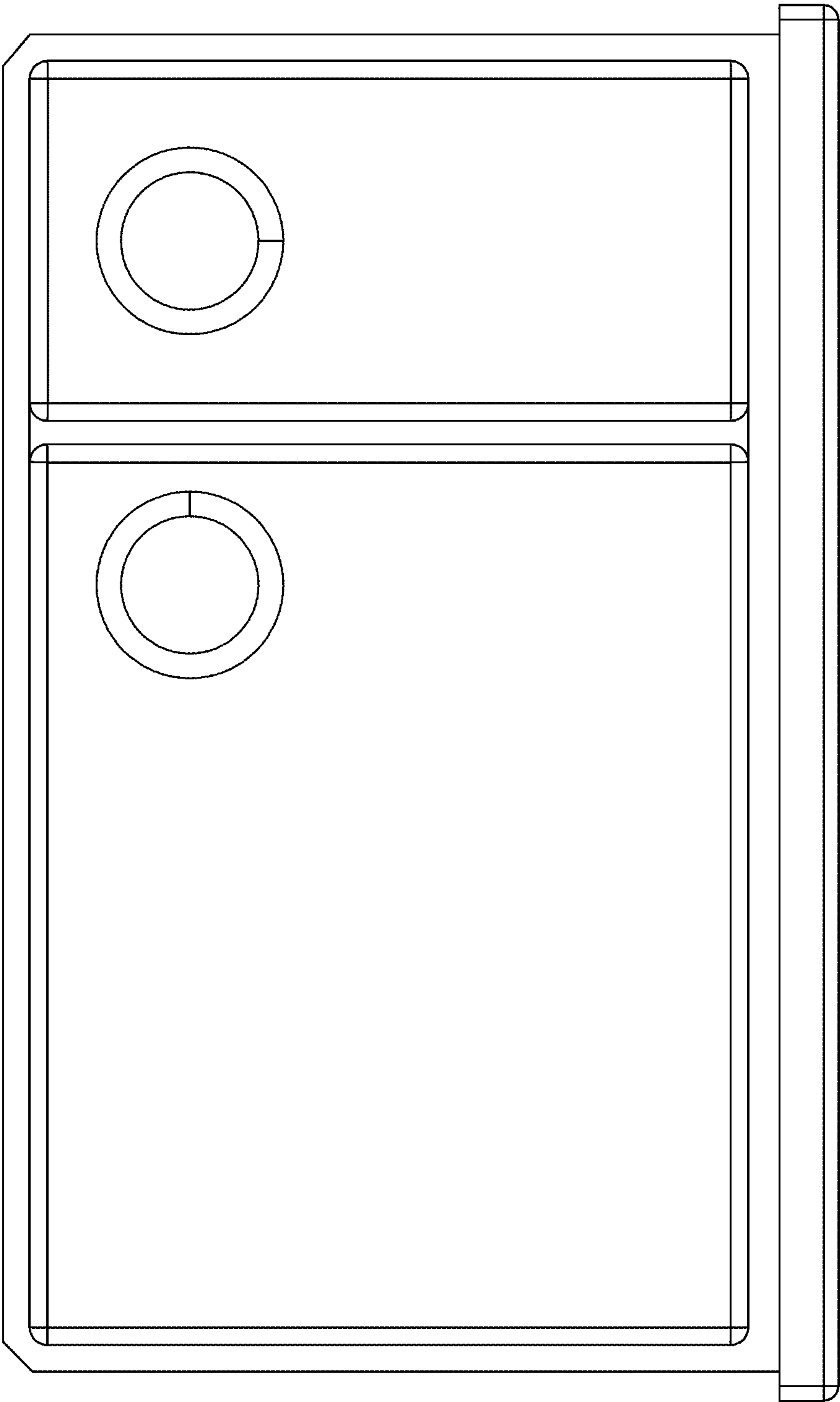


FIG. 10

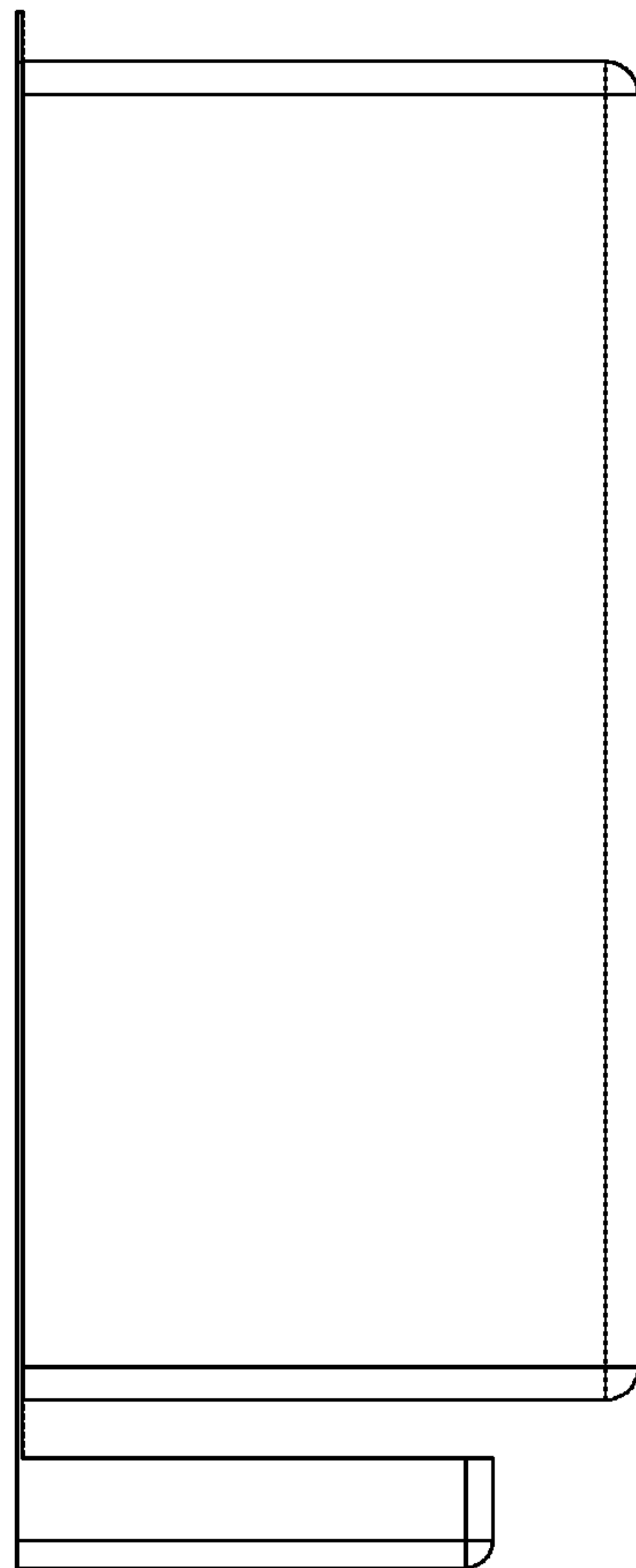


FIG. 11

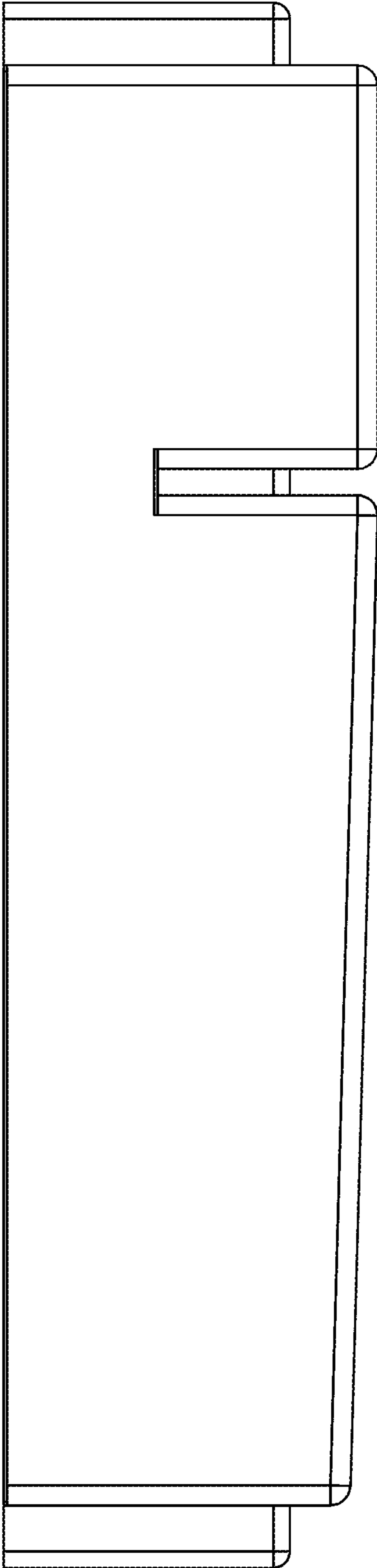


FIG. 12

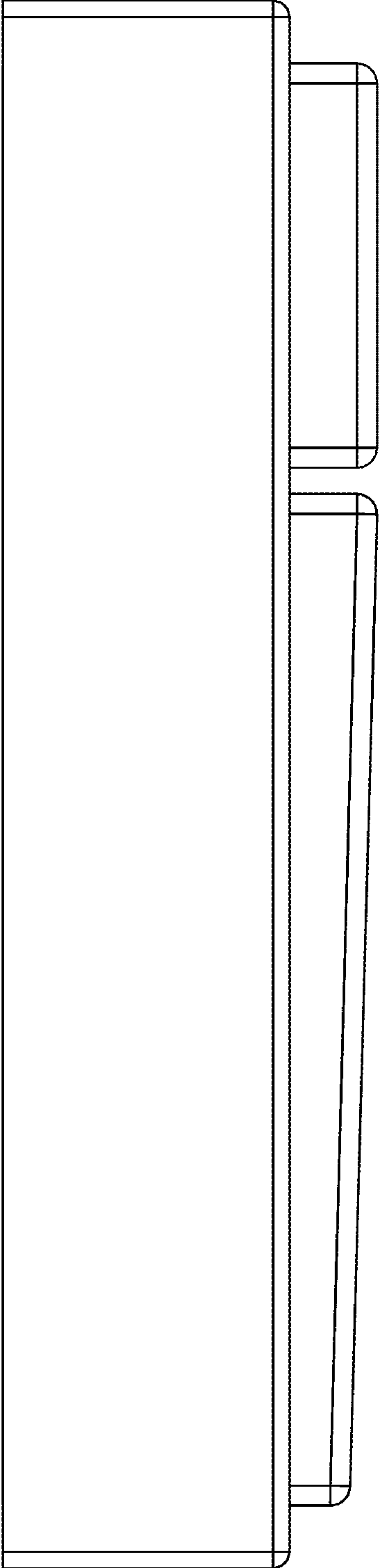


FIG. 13

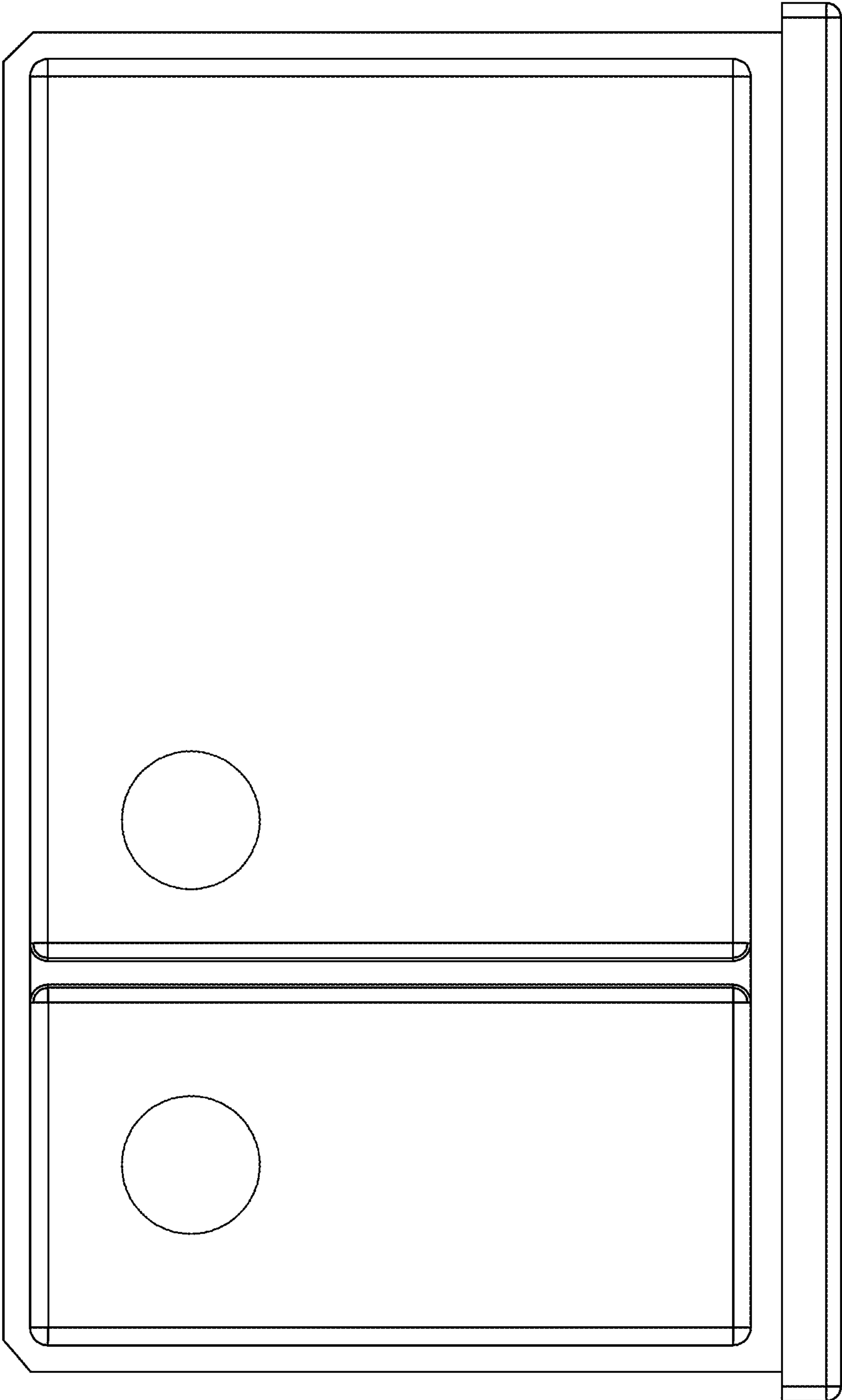


FIG. 14