



US00D934396S

(12) **United States Design Patent**
Ealer, Sr.

(10) **Patent No.:** **US D934,396 S**

(45) **Date of Patent:** **** *Oct. 26, 2021**

- (54) **GUTTER COVER**
- (71) Applicant: **E-Z Products LLC**, St. Clair, MO (US)
- (72) Inventor: **James E. Ealer, Sr.**, St. Clair, MO (US)
- (73) Assignee: **E-Z Products LLC**, St. Clair, MO (US)
- (*) Notice: This patent is subject to a terminal disclaimer.

8,375,644 B2 * 2/2013 Robins E04D 13/076
52/12

D683,827 S 6/2013 Earler, Sr.
8,695,804 B2 4/2014 Bennigton, II
8,887,356 B2 11/2014 Bailey
8,935,830 B2 1/2015 Bailey
8,938,858 B2 1/2015 Bailey
9,127,463 B1 * 9/2015 Feldhaus E04D 13/076
D831,177 S * 10/2018 Ealer, Sr. D23/267
D834,155 S * 11/2018 Ealer, Sr. D23/267

(Continued)

(**) Term: **15 Years**

- (21) Appl. No.: **29/746,443**
- (22) Filed: **Aug. 13, 2020**
- (51) **LOC (13) Cl.** **23-01**
- (52) **U.S. Cl.**
USPC **D23/267**
- (58) **Field of Classification Search**
USPC D23/259–262, 267; 52/11–12, 16;
D25/36, 121–122, 164
See application file for complete search history.

OTHER PUBLICATIONS

Raptor Guard; Date Available Sep. 6, 2018; Visited Online Dec. 9, 2020; https://www.amazon.com/Raptor-Gutter-Stainless-Micro-Mesh-Contractor-Grade/dp/B07H4VTFQS/ref=sr_1_1_sspa?dchild=1&keywords=e-z+products+gutter&qid=1607517613&sr=8-1-spons&psc=1&spLa=ZW5jcnlwdGVkUXVhbGlmaWVyPUEwS04wTzFVS1NzITJmVuY3J5cHRIZE (Year: 2018).*

(Continued)

Primary Examiner — Amy C Wierenga
(74) *Attorney, Agent, or Firm* — Stinson LLP

(56) **References Cited**

U.S. PATENT DOCUMENTS

4,841,686 A 6/1989 Rees
4,907,381 A * 3/1990 Ealer E04D 13/076
52/12
5,619,825 A * 4/1997 Leroney E04D 13/0725
248/48.1
5,893,240 A * 4/1999 Ealer, Sr. E04D 13/076
248/48.2
D460,197 S * 7/2002 Stringer D25/48.8
6,944,942 B2 9/2005 Marlow
6,951,077 B1 10/2005 Higginbotham
D565,706 S * 4/2008 Murray D23/261
7,650,720 B2 1/2010 Earler, Sr.
D638,920 S 5/2011 Earler, Sr.
D657,850 S 4/2012 Bailey
8,146,218 B1 4/2012 Earler, Sr. et al.

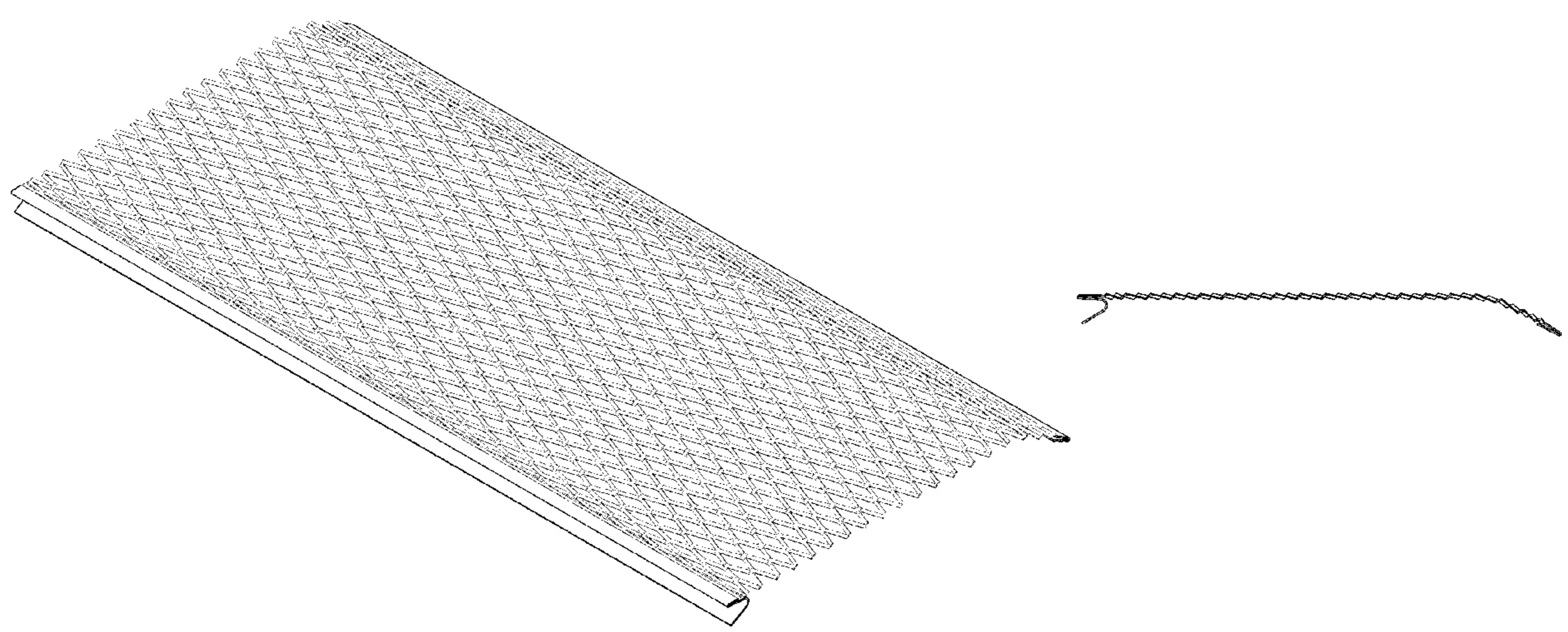
(57) **CLAIM**

What is claimed is the ornamental design for the gutter cover, as shown and described.

DESCRIPTION

FIG. 1 is a perspective view of a first embodiment of a gutter cover;
FIG. 2 is a front view thereof;
FIG. 3 is a top side view thereof;
FIG. 4 is a right side view thereof;
FIG. 5 is a rear view thereof;
FIG. 6 is a bottom view thereof; and,
FIG. 7 is a left side view thereof.

1 Claim, 7 Drawing Sheets



(56)

References Cited

U.S. PATENT DOCUMENTS

2006/0053697 A1* 3/2006 Higginbotham E04D 13/076
52/12
2006/0230687 A1* 10/2006 Ealer, Sr. E04D 13/076
52/12
2012/0110922 A1* 5/2012 Hawes E04D 13/076
52/12

OTHER PUBLICATIONS

4ft. Stainless Steel 5 in. Micro-Mesh Gutter Guard, Date First Available May 6, 2018; Visited Online Dec. 9, 2020; See HTTPS address in box W Below. (Year: 2018).*

https://www.amazon.com/Stainless-Steel-Micro-Mesh-Gutter-20-Pack/dp/B07CWJ3KQ6/ref=pd_di_sccai_5/142-8649997-4178856?_encoding=UTF8&pd_rd_i=B07CWJ3KQ6&pd_rd_r=ce8bfaeb-f0cd-4392-ba97-ec7284bbf8f7&pd_rd_w=92B7b&pd_rd_wg=AvZsv&pf_rd_p=c9443270-b914-4430- (Year: 2018).*

Ex parte Quayle Action, U.S. Appl. No. 29/598,048, dated Mar. 26, 2018, 8 pgs.

* cited by examiner

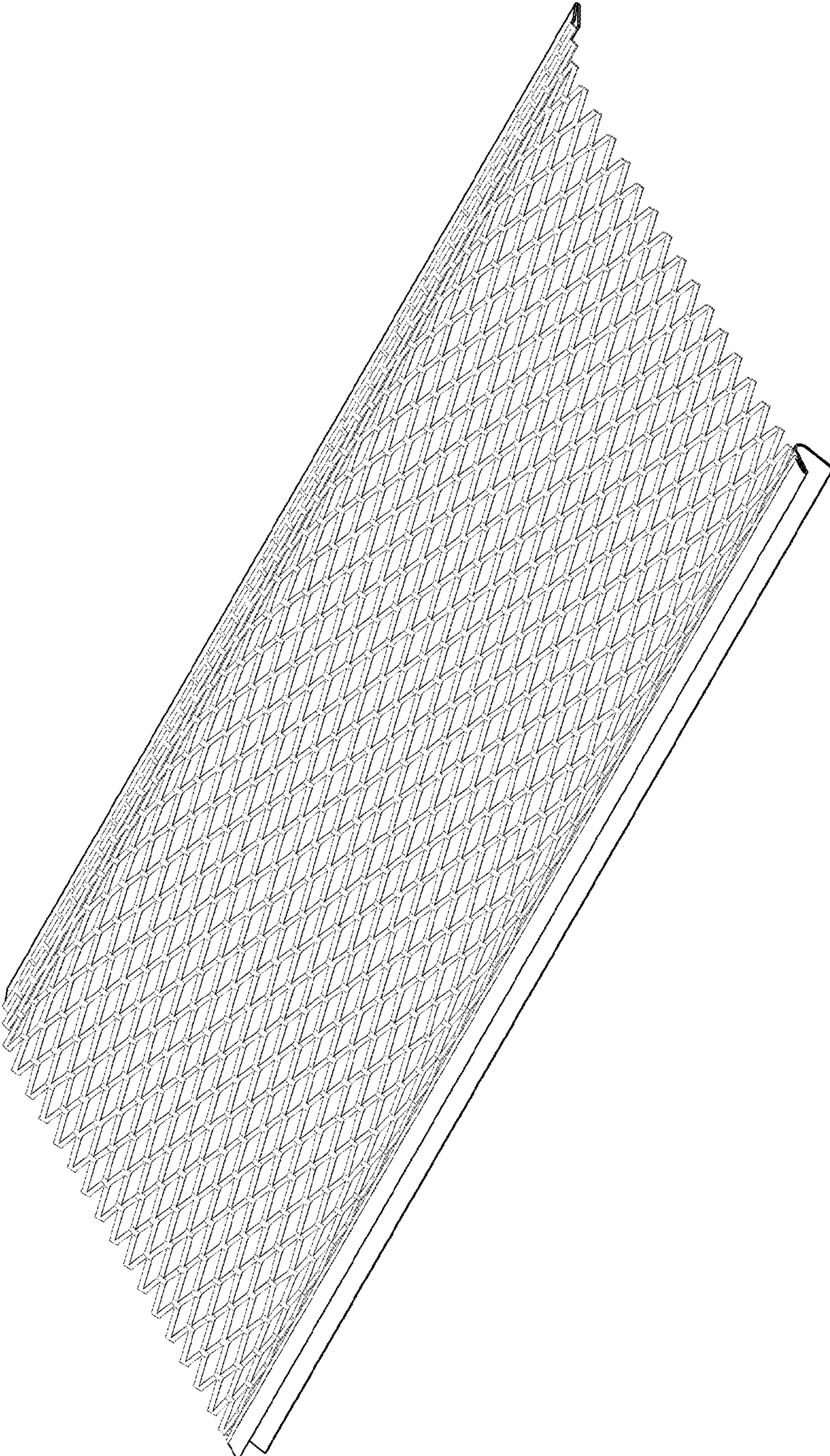
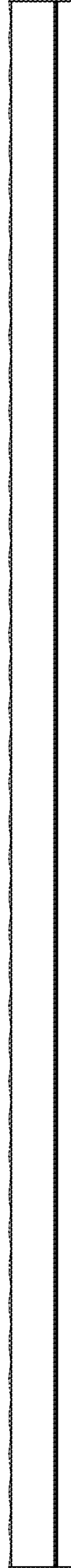


FIG. 1

FIG. 2



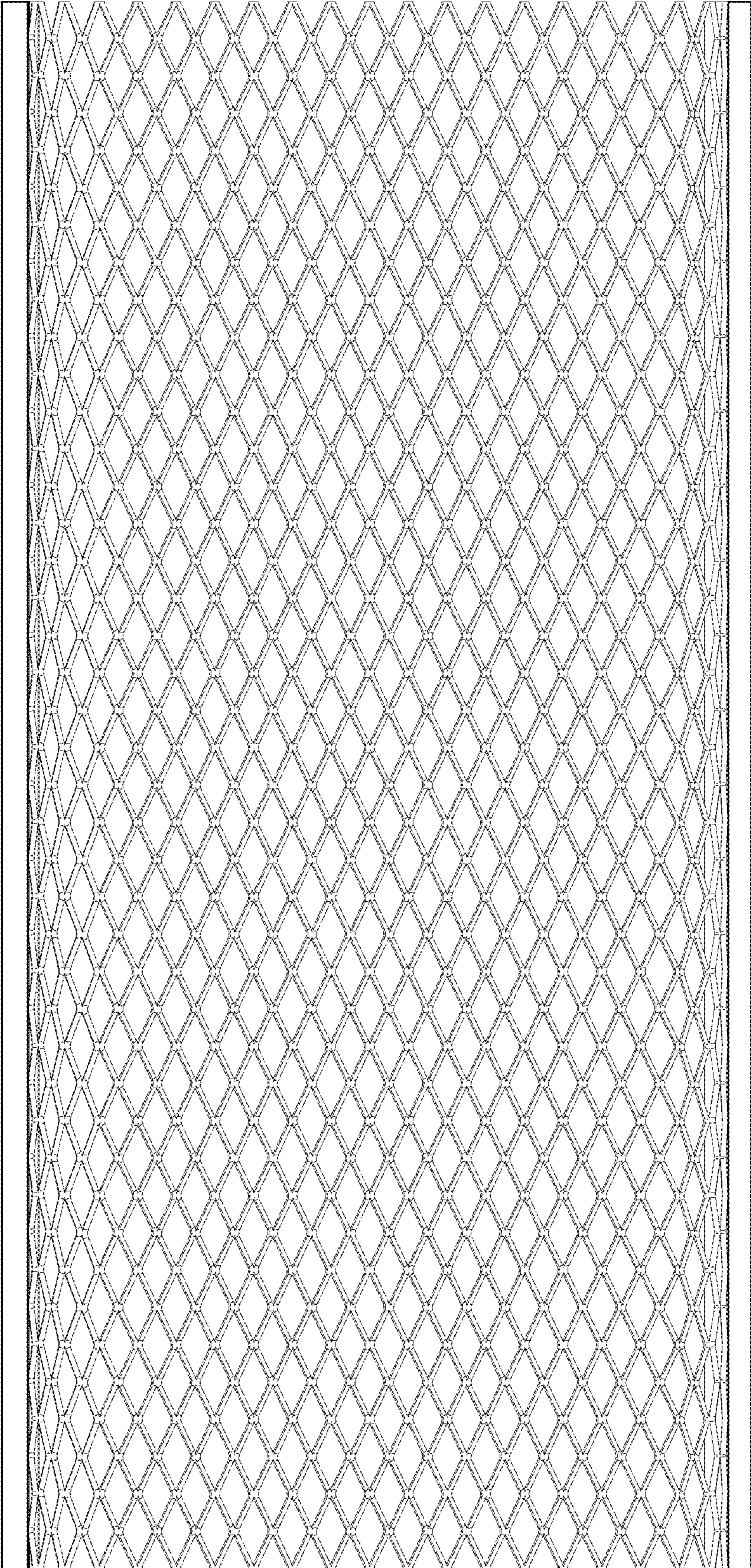


FIG. 3

FIG. 4

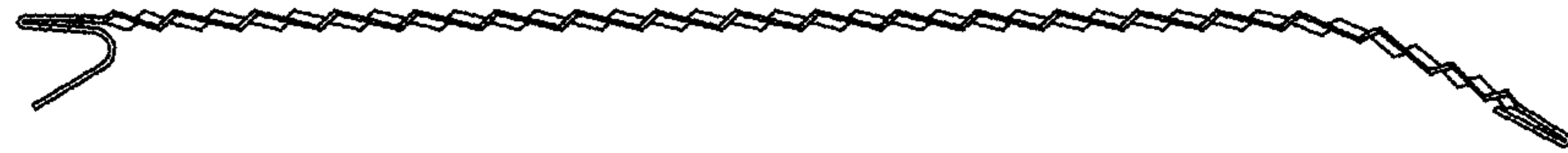
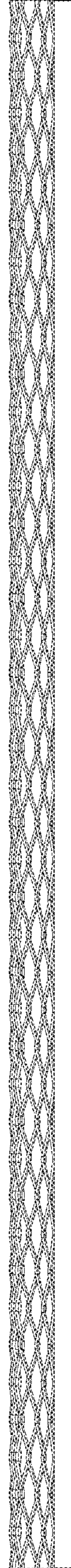


FIG. 5



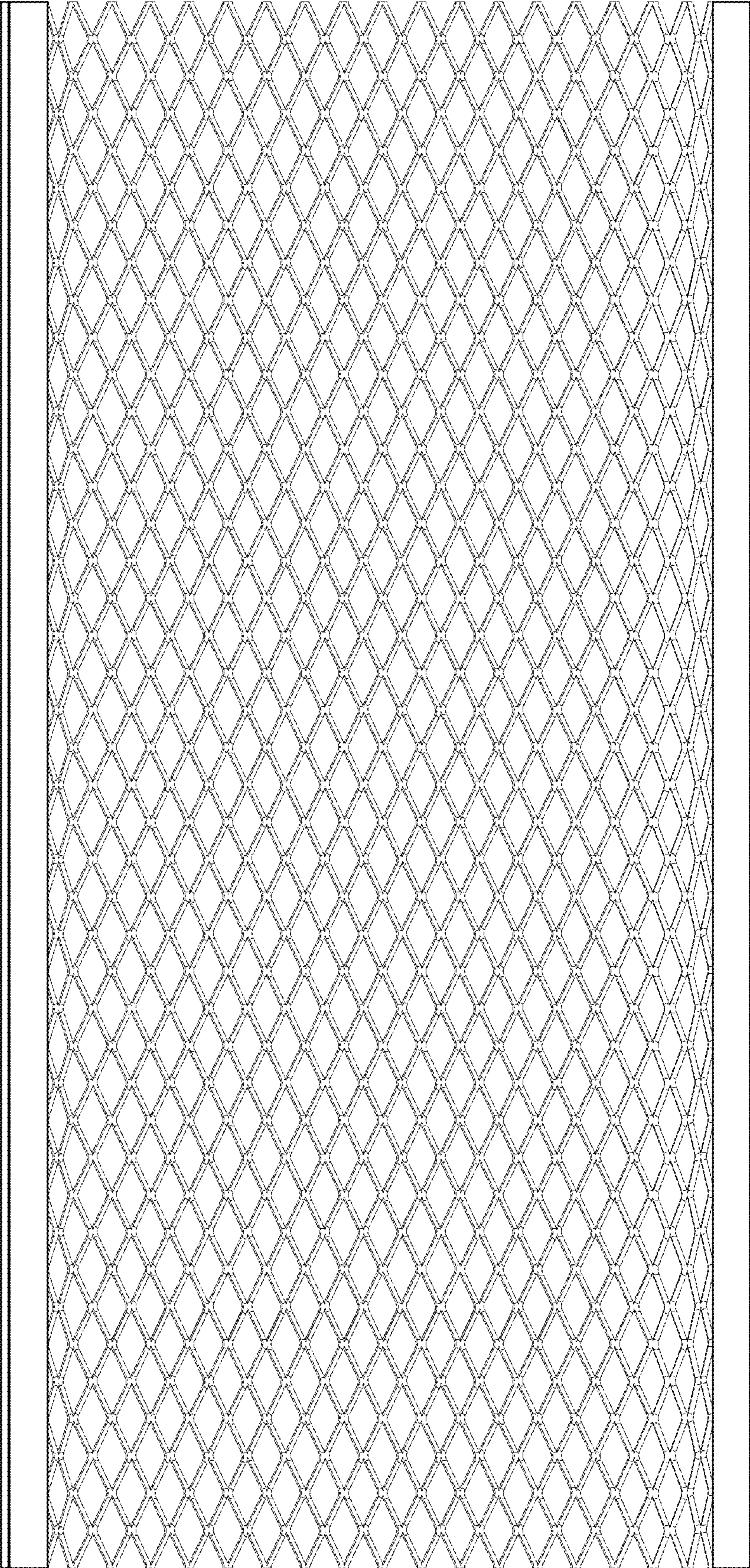


FIG. 6

FIG. 7

