

US00D934395S

(12) **United States Design Patent**
Friedrich et al.

(10) **Patent No.:** **US D934,395 S**

(45) **Date of Patent:** **** Oct. 26, 2021**

- (54) **PUSH FIT CONNECTOR FOR COMMUNICATION PIPES**
- (71) Applicants: **Jacob Friedrich**, Tivon (IL);
Avraham Tavor, Yokneam Ilit (IL)
- (72) Inventors: **Jacob Friedrich**, Tivon (IL);
Avraham Tavor, Yokneam Ilit (IL)
- (**) Term: **15 Years**
- (21) Appl. No.: **29/686,240**
- (22) Filed: **Apr. 3, 2019**
- (51) **LOC (13) Cl.** **23-01**
- (52) **U.S. Cl.**
USPC **D23/262**
- (58) **Field of Classification Search**
USPC D23/259–262, 264–266, 213, 233, 235;
285/91, 345, 377, 388, 390, 148.2,
285/148.14, 148.19, 148.21, 328, 921, 16,
285/45, 148.22, 148.26, 189, 244,
285/245–246, 249, 255, 322, 384, 395,
285/420, 347, 33; 251/143, 146–148,
251/152; D24/112, 127, 129; D8/382,
D8/394–396; 403/11, 34, 196–197, 222,
403/325, 329, 334, 343; D13/133,
D13/154–156
CPC F16L 11/00; F16L 37/082; F16L 39/02;
F16L 37/0915; F16L 21/06; H01R 4/60
See application file for complete search history.

(56) **References Cited**
U.S. PATENT DOCUMENTS

- D354,801 S * 1/1995 Grant D23/263
- D418,210 S * 12/1999 Roesch D23/262

- D473,633 S * 4/2003 Chun-Lee D23/262
- D495,404 S * 8/2004 Wilk, Jr. D23/262
- D517,665 S * 3/2006 Wilk, Jr. D23/262
- D524,427 S * 7/2006 Wilk, Jr. D23/262
- D751,673 S * 3/2016 Gledhill D23/259
- 2011/0042943 A1* 2/2011 Gershkovich F16L 37/0925
285/308
- 2012/0280486 A1* 11/2012 Stratulat F16L 19/086
285/31
- 2013/0181446 A1* 7/2013 Le Clinche F16L 37/0915
285/345
- 2013/0257036 A1* 10/2013 Guest F16L 37/0925
285/93
- 2015/0159794 A1* 6/2015 Bobo F16L 37/0915
285/305
- 2017/0082231 A1* 3/2017 Crompton F16L 37/0915

* cited by examiner

Primary Examiner — Amy C Wierenga

(57) **CLAIM**

The ornamental design for a push-fit connector for communication pipes, as shown and described.

DESCRIPTION

FIG. 1 is a top perspective front view of a push-fit connector for communication pipes showing our new design; FIG. 2 is a bottom perspective view; FIG. 3 is a top view; FIG. 4 is a bottom view; FIG. 5 is a front view; FIG. 6 is a rear view; FIG. 7 is a right side view; and, FIG. 8 is a left side view.

1 Claim, 8 Drawing Sheets

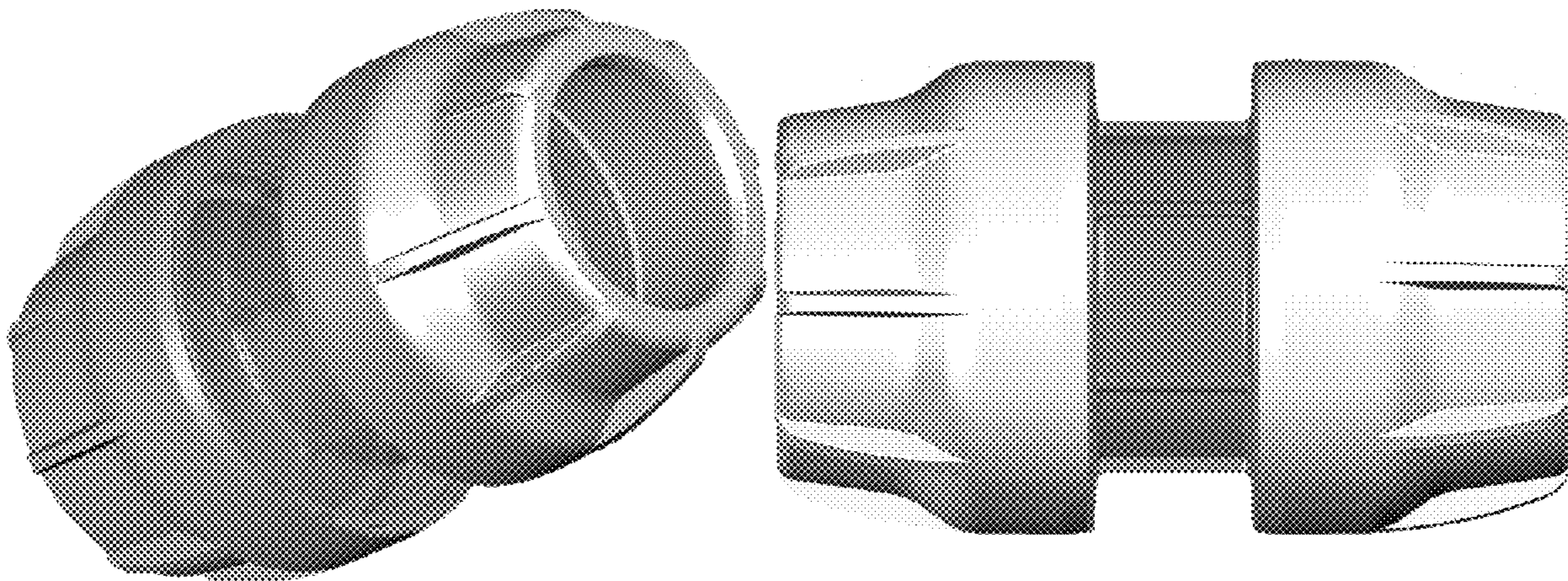




Fig. 1

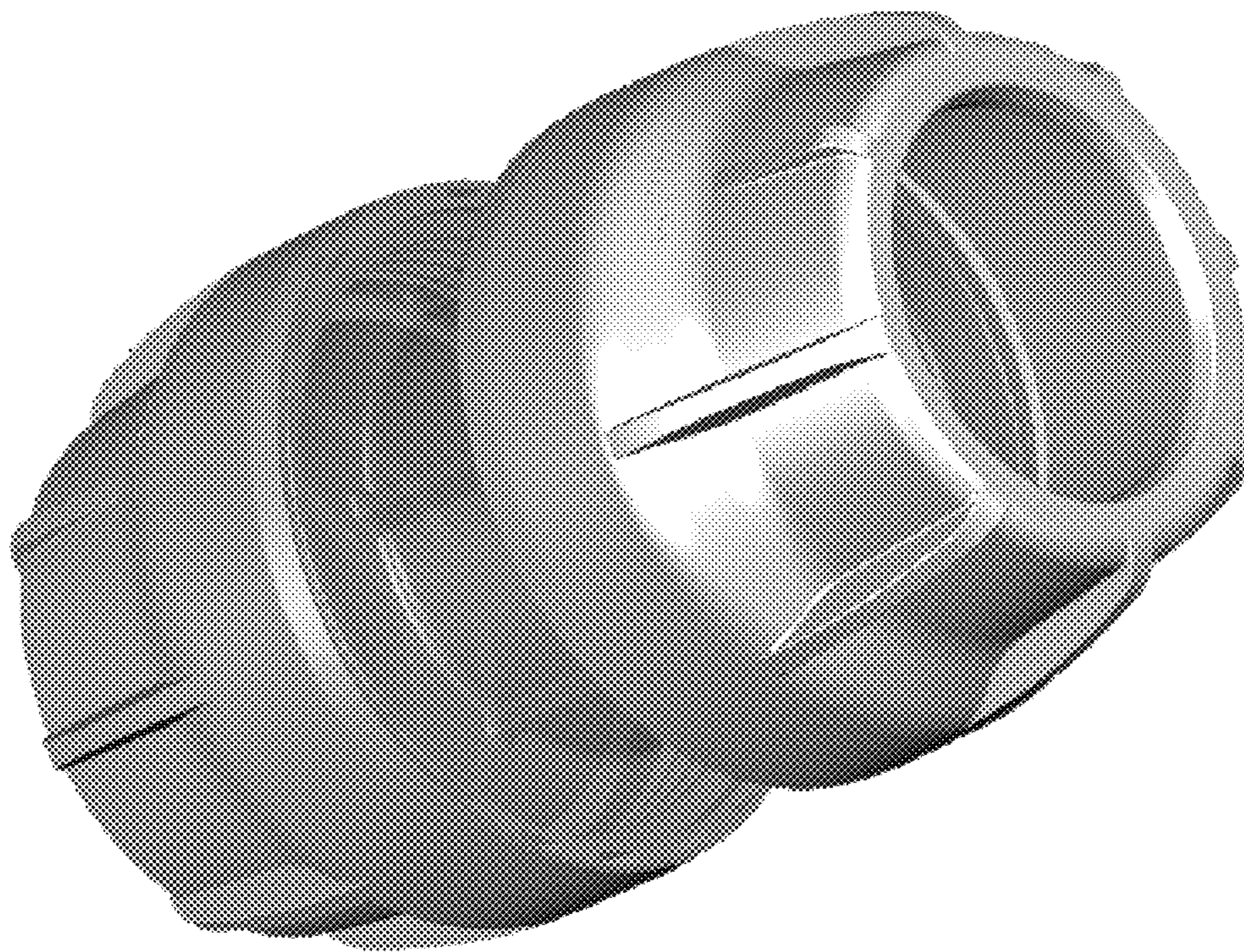


Fig. 2

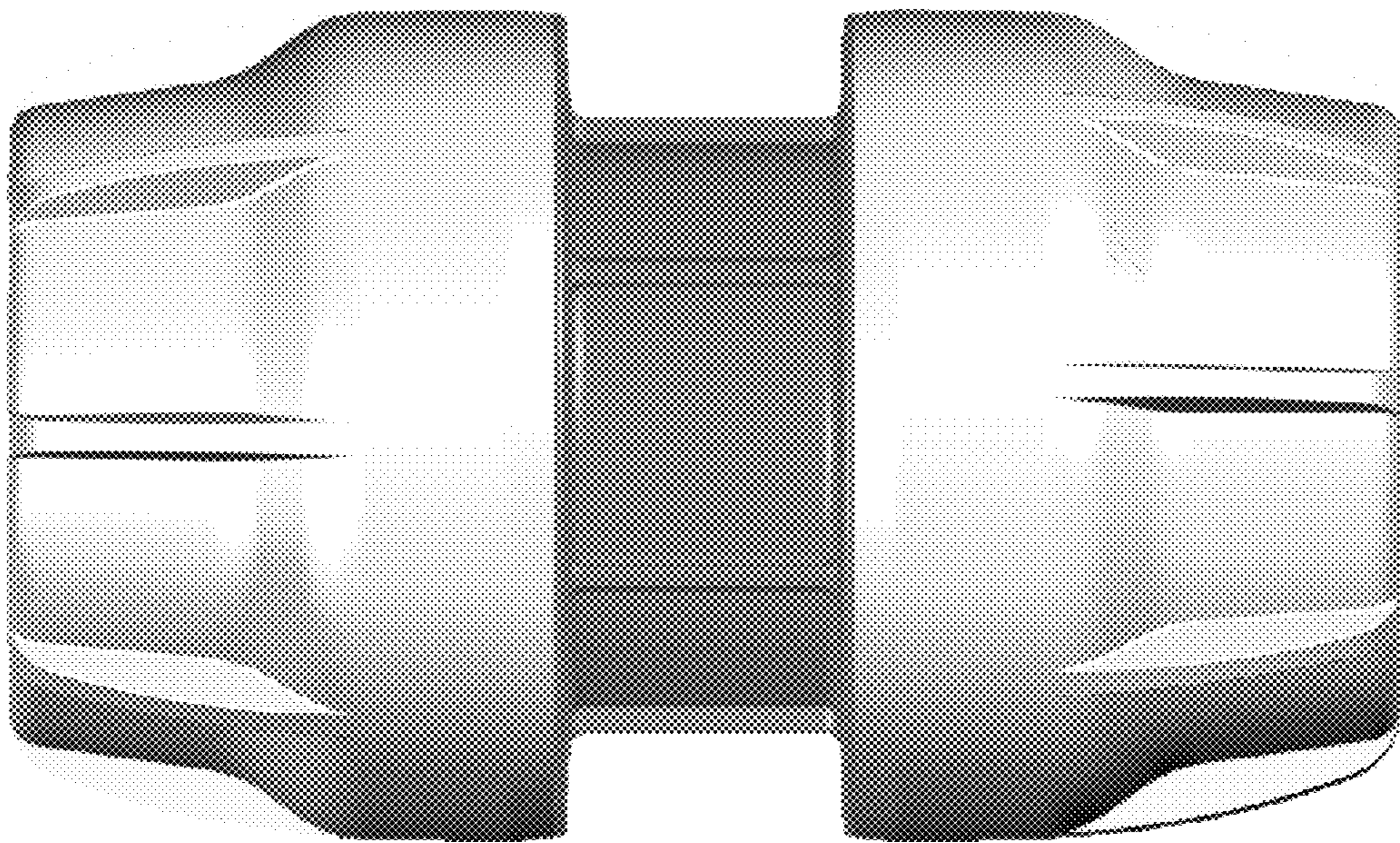


Fig. 3

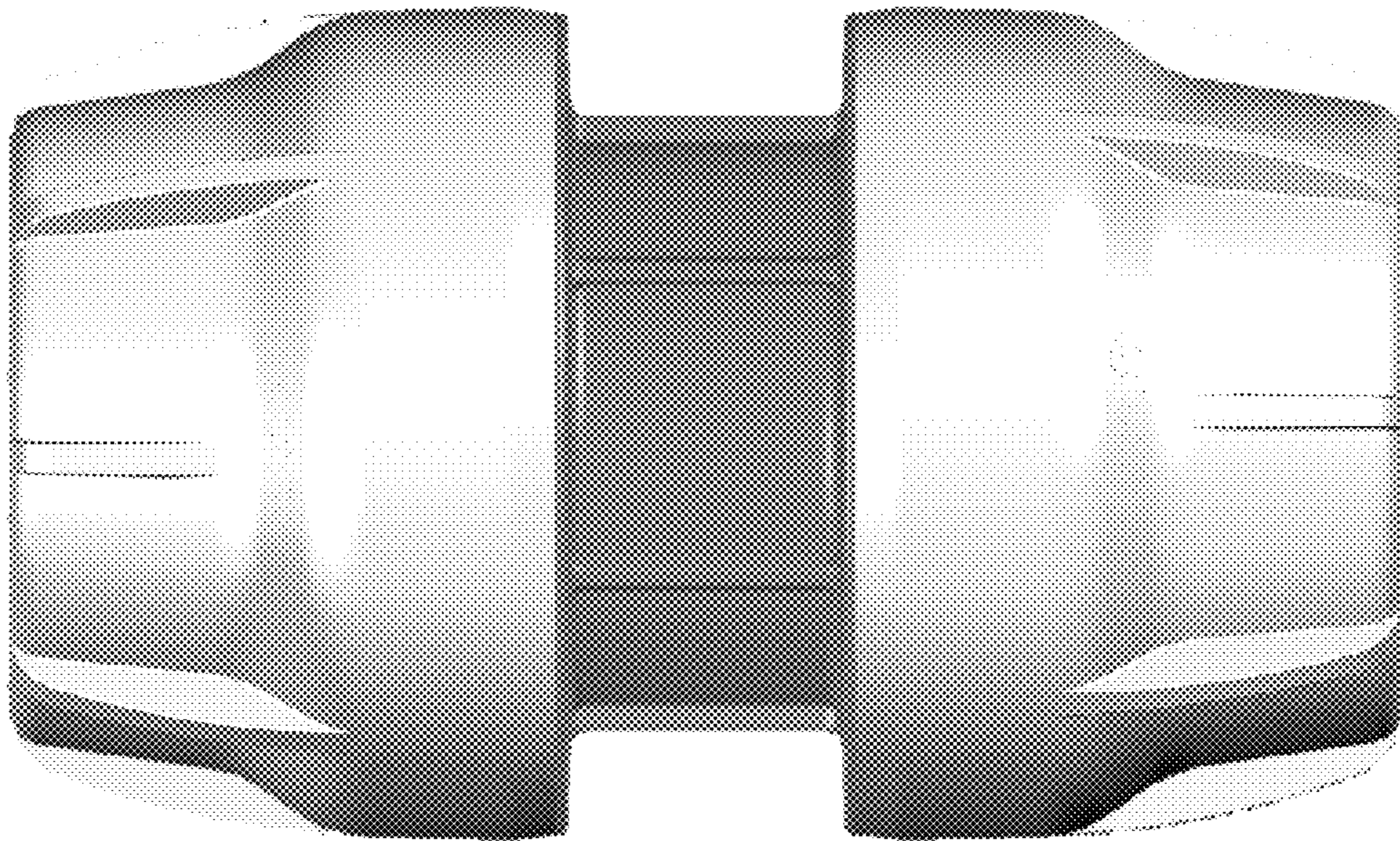


Fig. 4

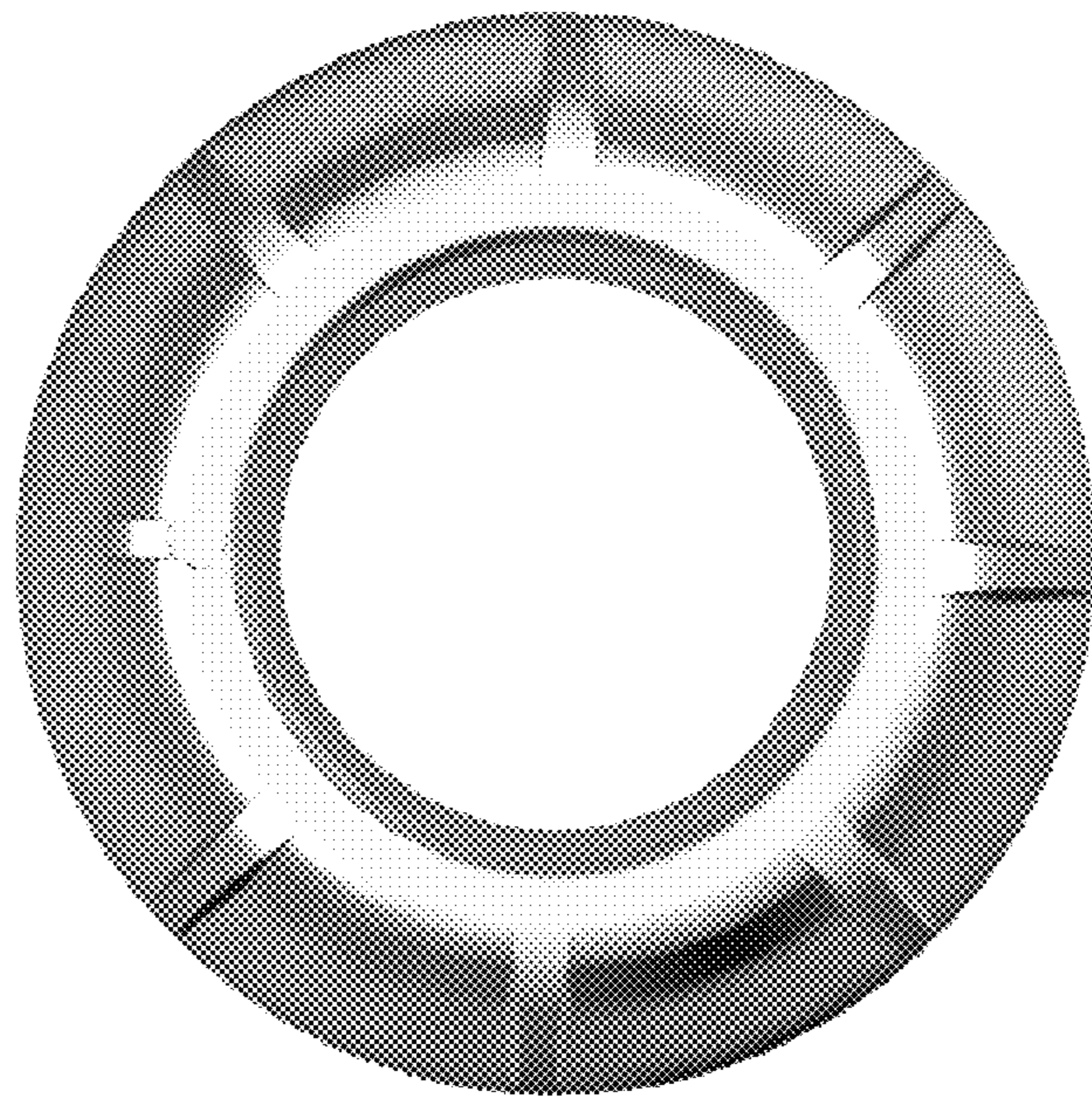


Fig. 5

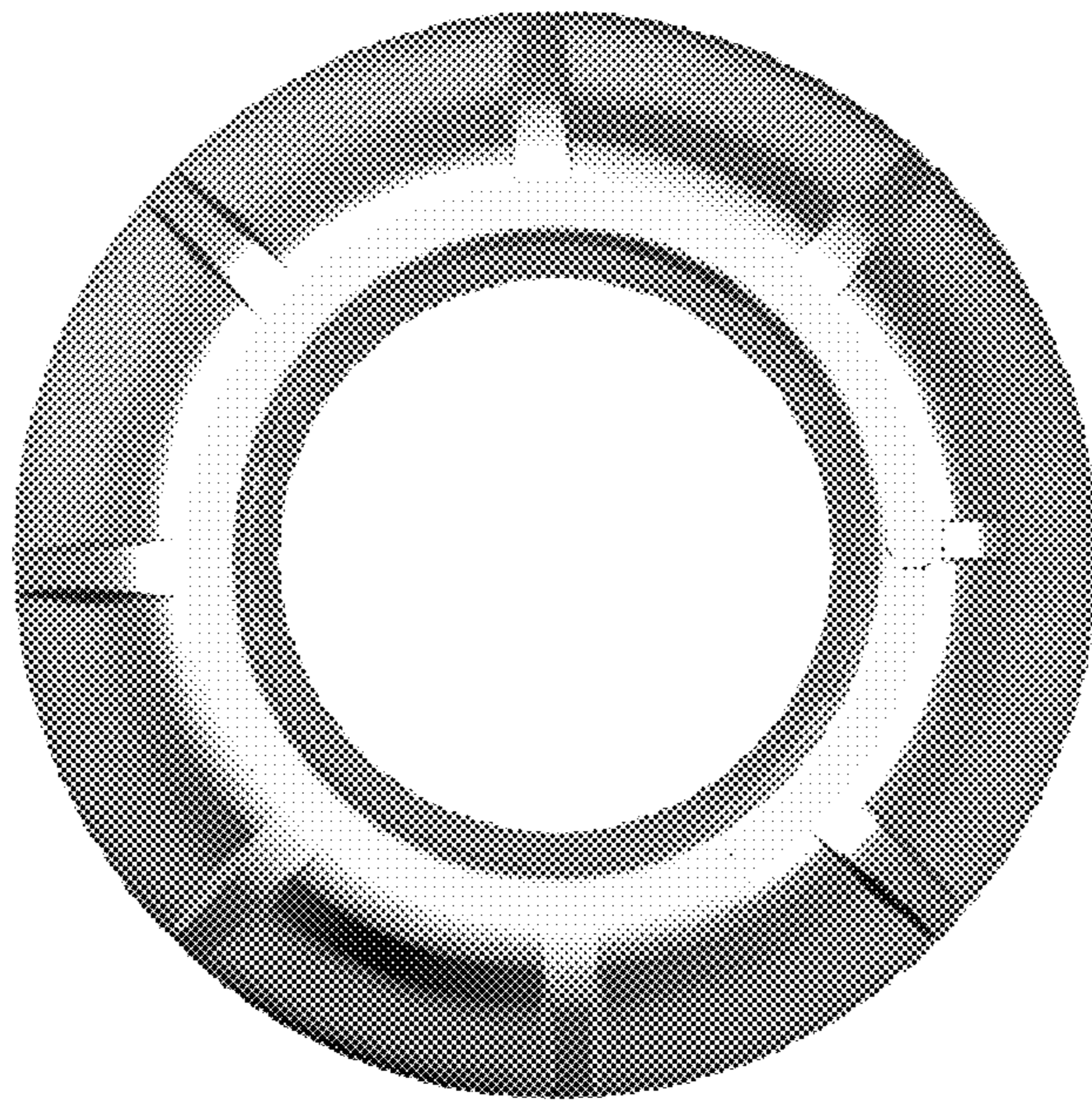


Fig. 6

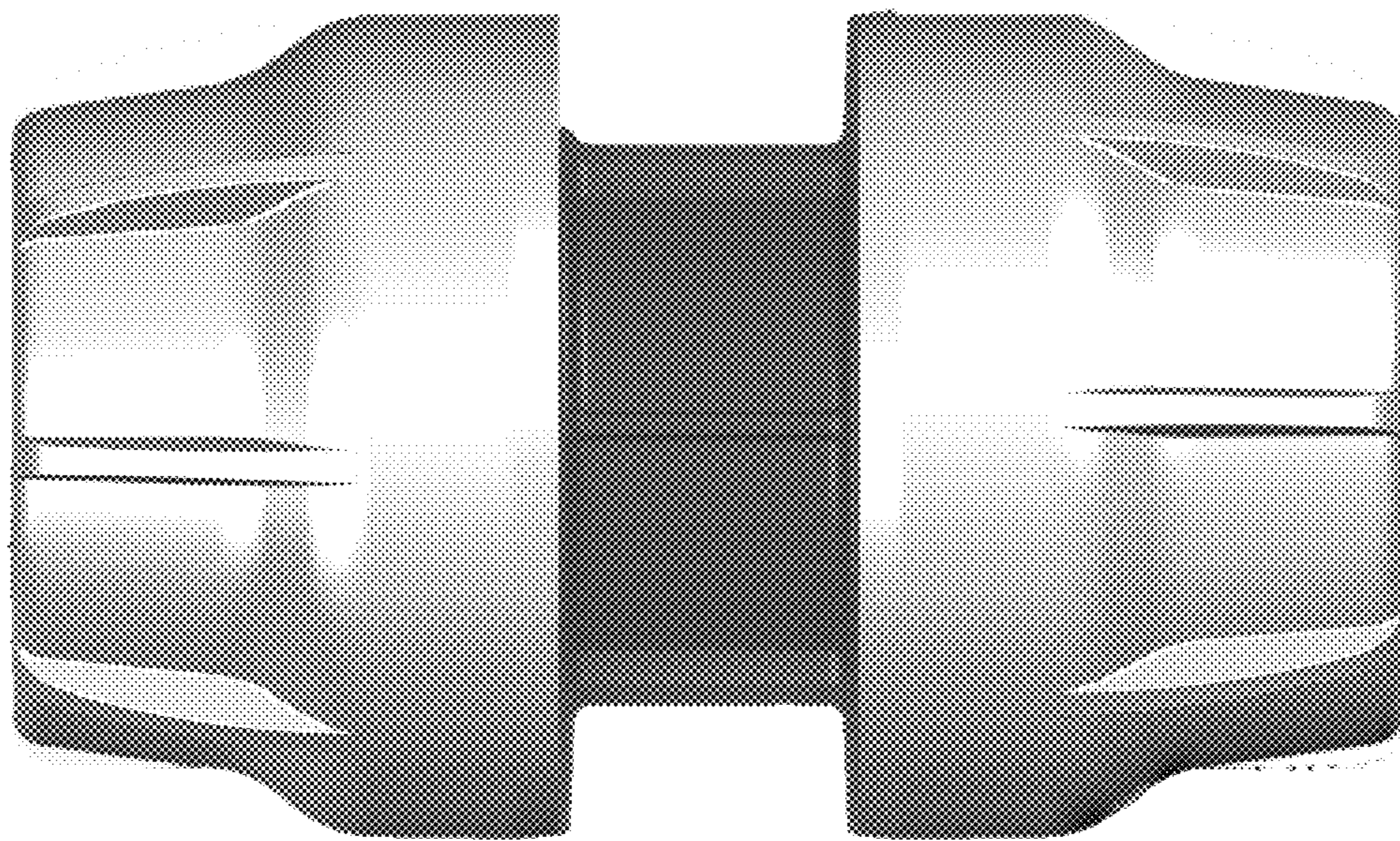


Fig. 7

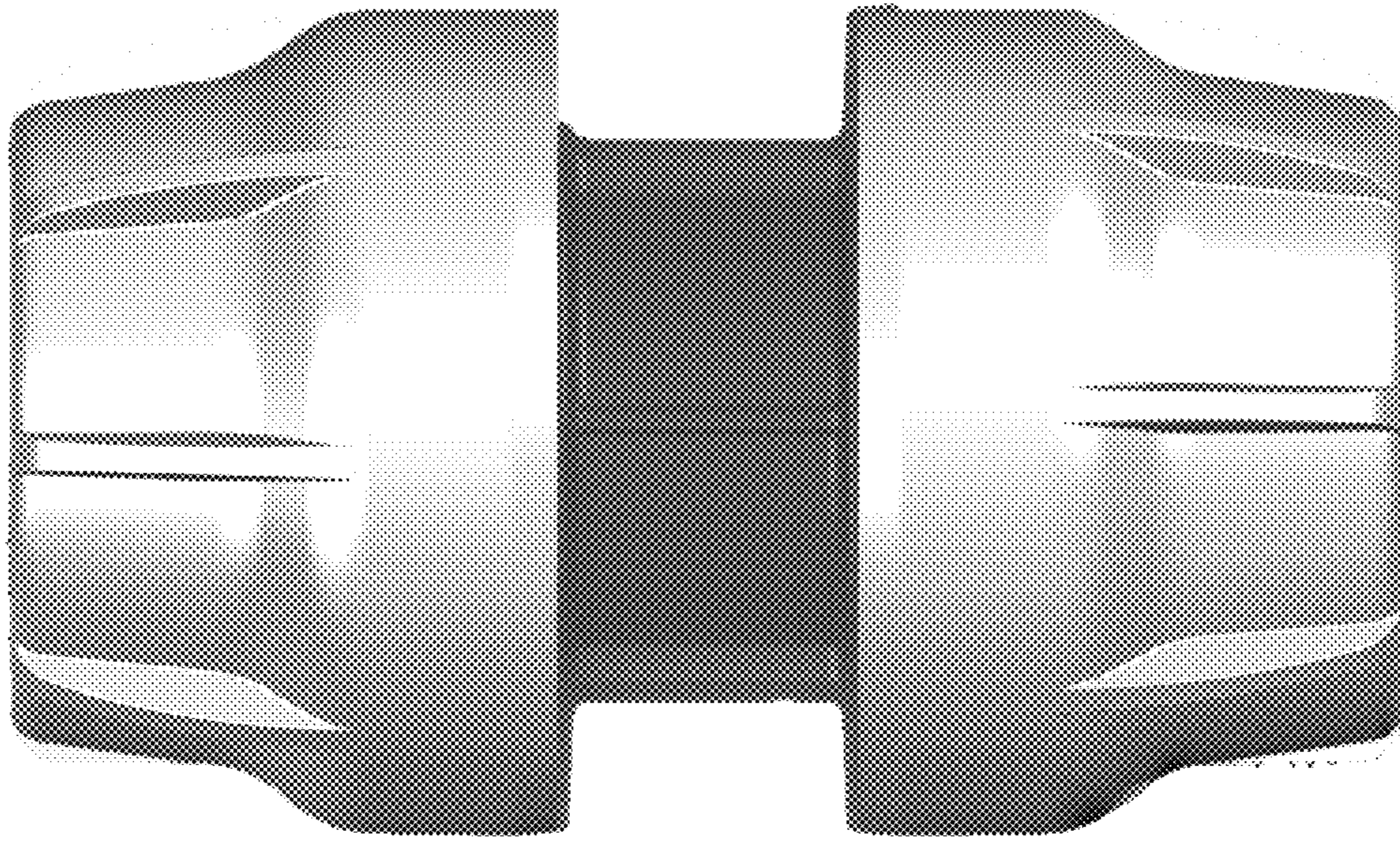


Fig. 8