



US00D934394S

(12) **United States Design Patent**
Meyers et al.

(10) **Patent No.:** **US D934,394 S**

(45) **Date of Patent:** **** Oct. 26, 2021**

(54) **FAUCET**

(71) Applicant: **Kohler Co.**, Kohler, WI (US)

(72) Inventors: **Jordan Meyers**, Paradise Valley, AZ (US); **Gregory de Swarte**, Sheboygan, WI (US); **Drew Johnson**, Sheboygan, WI (US); **Andrew J. Stokes**, Kohler, WI (US)

(73) Assignee: **KOHLER CO.**, Kohler, WI (US)

(**) Term: **15 Years**

(21) Appl. No.: **29/774,357**

(22) Filed: **Mar. 16, 2021**

Related U.S. Application Data

(62) Division of application No. 29/692,614, filed on May 28, 2019, now Pat. No. Des. 916,246, which is a division of application No. 29/644,533, filed on Apr. 18, 2018, now Pat. No. Des. 859,588.

(51) **LOC (13) Cl.** **23-01**

(52) **U.S. Cl.**
USPC **D23/255**; D23/249; D23/238

(58) **Field of Classification Search**
USPC D23/238–243, 249–252, 254–255, 257
CPC Y10T 137/9464
See application file for complete search history.

(56) **References Cited**

U.S. PATENT DOCUMENTS

D12,819 S	3/1882	Dobbin
D12,832 S	3/1882	Rosenfeld
D18,933 S	2/1889	Harley
D28,305 S	2/1898	Thomas
D87,343 S	7/1932	Hamilton
D92,521 S	6/1934	Cassedy
D102,444 S	12/1936	Petty
D102,942 S	1/1937	Covert

D110,034 S	6/1938	Reynolds
D118,357 S	12/1939	Wechsler
3,185,034 A	5/1965	Youngblood, Jr.
D303,930 S	10/1989	Durand
D349,756 S	8/1994	Altman
D391,350 S	2/1998	Gottwald
D444,859 S	7/2001	Slothower
D444,860 S	7/2001	Slothower
D468,410 S *	1/2003	Hundley D23/255

(Continued)

Primary Examiner — Amy C Wierenga

(74) *Attorney, Agent, or Firm* — Foley & Lardner LLP

(57) **CLAIM**

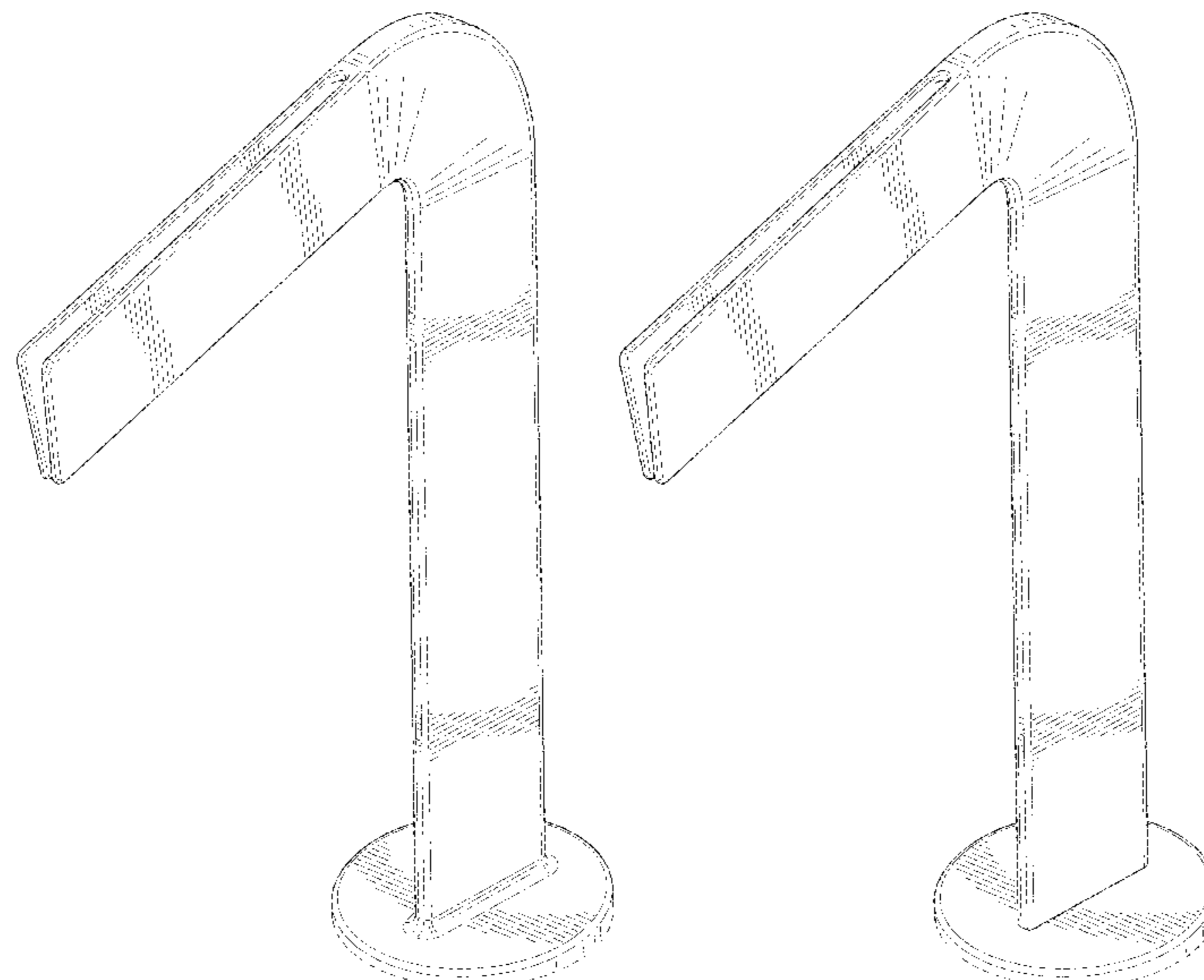
We claim the ornamental design for a faucet, as shown and described.

DESCRIPTION

FIG. 1 is a top, front, right perspective view of a first embodiment of the faucet;
FIG. 2 is a front elevation view thereof;
FIG. 3 is a rear elevation view thereof;
FIG. 4 is a right side elevation view thereof;
FIG. 5 is a left side elevation view thereof;
FIG. 6 is a top plan view thereof;
FIG. 7 is a bottom plan view thereof;
FIG. 8 is a top, front, right perspective view of a second embodiment of the faucet;
FIG. 9 is a front elevation view thereof;
FIG. 10 is a rear elevation view thereof;
FIG. 11 is a right side elevation view thereof;
FIG. 12 is a left side elevation view thereof;
FIG. 13 is a top plan view thereof; and,
FIG. 14 is a bottom plan view thereof.

The ornamental design which is claimed is shown in solid lines in the drawings. The broken lines in the drawings are for illustrative purposes only and form no part of the claimed design. Broken lines formed by equal length dashes show unclaimed subject matter.

1 Claim, 10 Drawing Sheets



(56)

References Cited

U.S. PATENT DOCUMENTS

D512,483 S *	12/2005	Paini	D23/238	D692,105 S *	10/2013	Garland	D23/238
D513,308 S *	12/2005	Paini	D23/238	D693,437 S *	11/2013	Starck	D23/238
D532,866 S	11/2006	Kirar			D712,519 S	9/2014	Lu		
D533,630 S *	12/2006	Zetsche	D23/238	D713,016 S	9/2014	Citterio		
D536,070 S	1/2007	Gilbert			D718,427 S	11/2014	Fritz		
D576,710 S *	9/2008	Fritz	D23/238	D718,837 S	12/2014	Garland		
D613,375 S	4/2010	Hanna			D754,295 S	4/2016	Lord		
D636,066 S	4/2011	Schoenherr			D754,825 S	4/2016	Lord		
D646,758 S *	10/2011	Gessi	D23/238	D758,745 S	6/2016	Blakely et al.		
D673,651 S	1/2013	Uhl			D759,203 S *	6/2016	Flowers	D23/238
D677,757 S *	3/2013	Lord	D23/238	D787,642 S	5/2017	Kirar et al.		
D678,985 S	3/2013	Berger			D790,667 S	6/2017	Schaubach et al.		
D679,367 S	4/2013	Kwok			D799,295 S	10/2017	Huttunen		
D681,165 S *	4/2013	Berger	D23/238	D810,892 S	2/2018	Yoshioka et al.		
8,439,075 B2 *	5/2013	Lin	E03C 1/0404 137/801	D816,806 S	5/2018	Potter		
D687,518 S *	8/2013	Garland	D23/238	D816,807 S	5/2018	Ravassa et al.		
D687,523 S	8/2013	Garland			D820,415 S	6/2018	McKeone et al.		
					D824,141 S	7/2018	Binger		
					D832,981 S	11/2018	Andrew		
					D836,296 S	12/2018	Sickert		
					D844,110 S	3/2019	Soulier et al.		

* cited by examiner

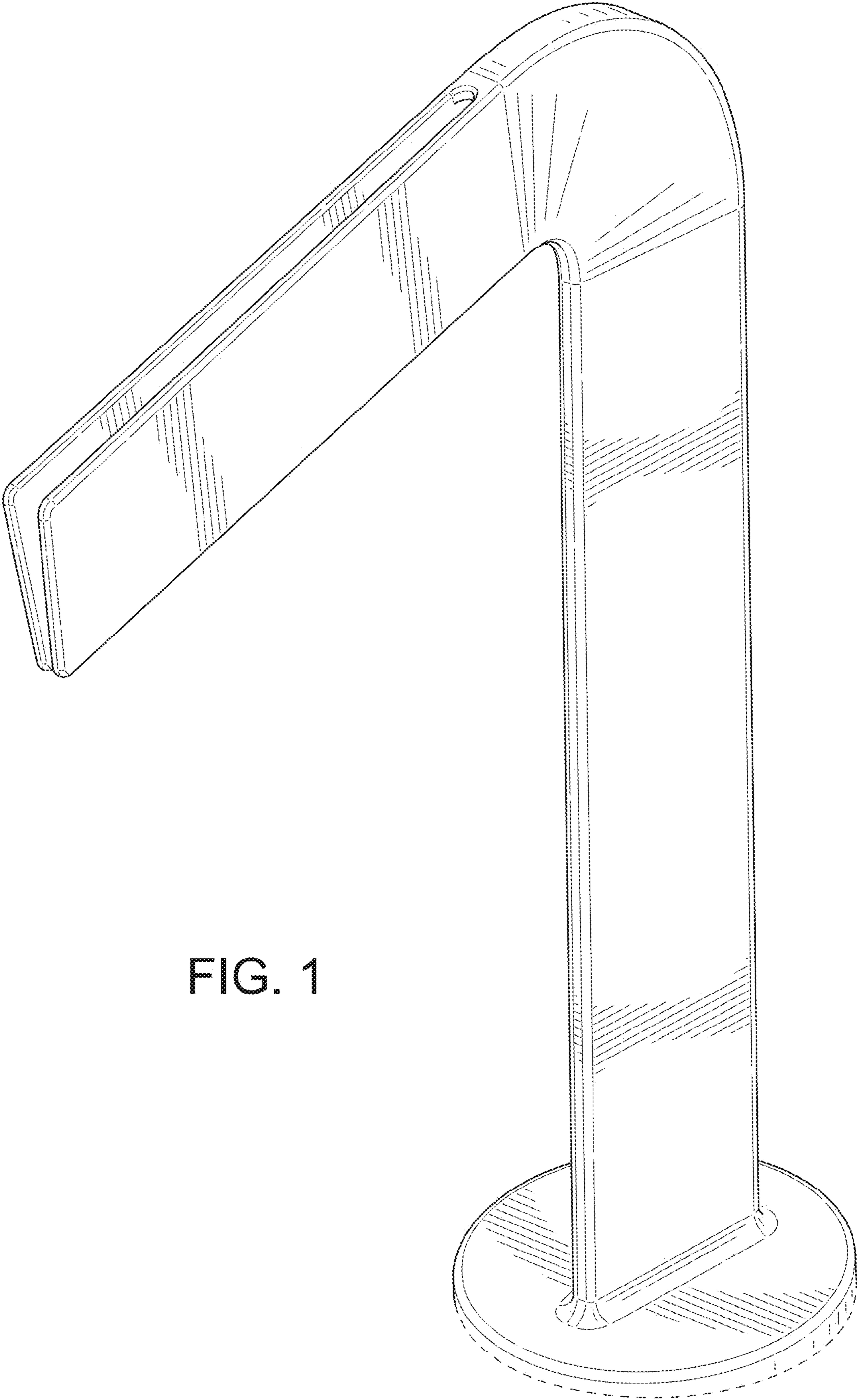


FIG. 1

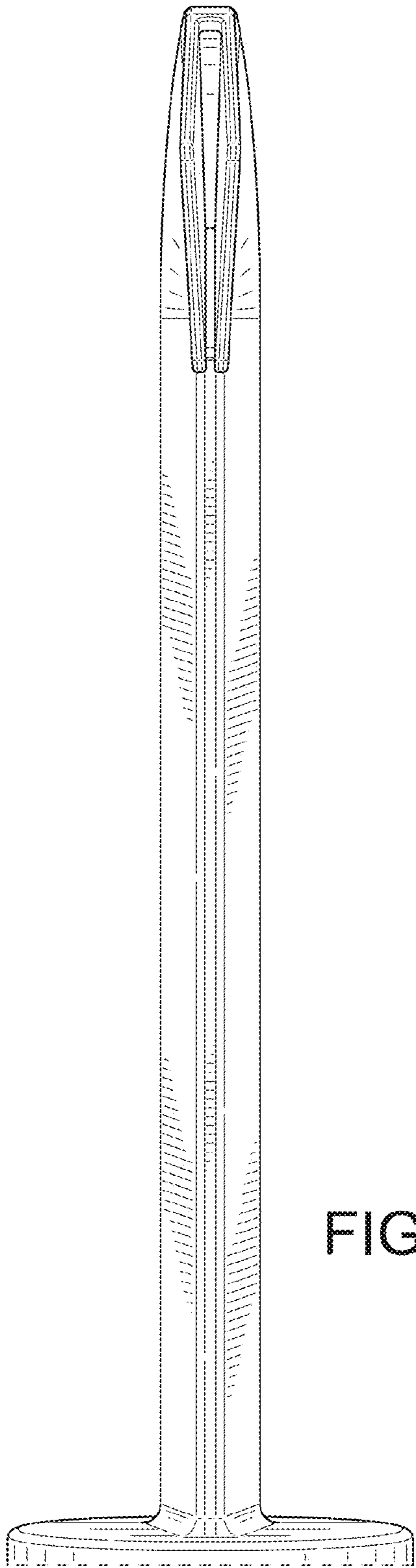


FIG. 2

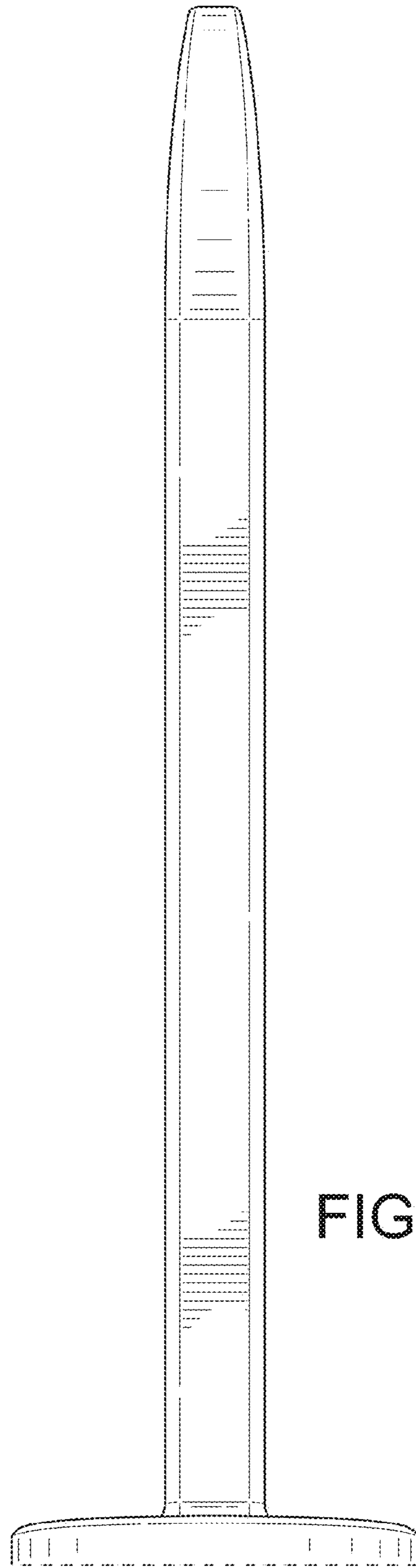


FIG. 3

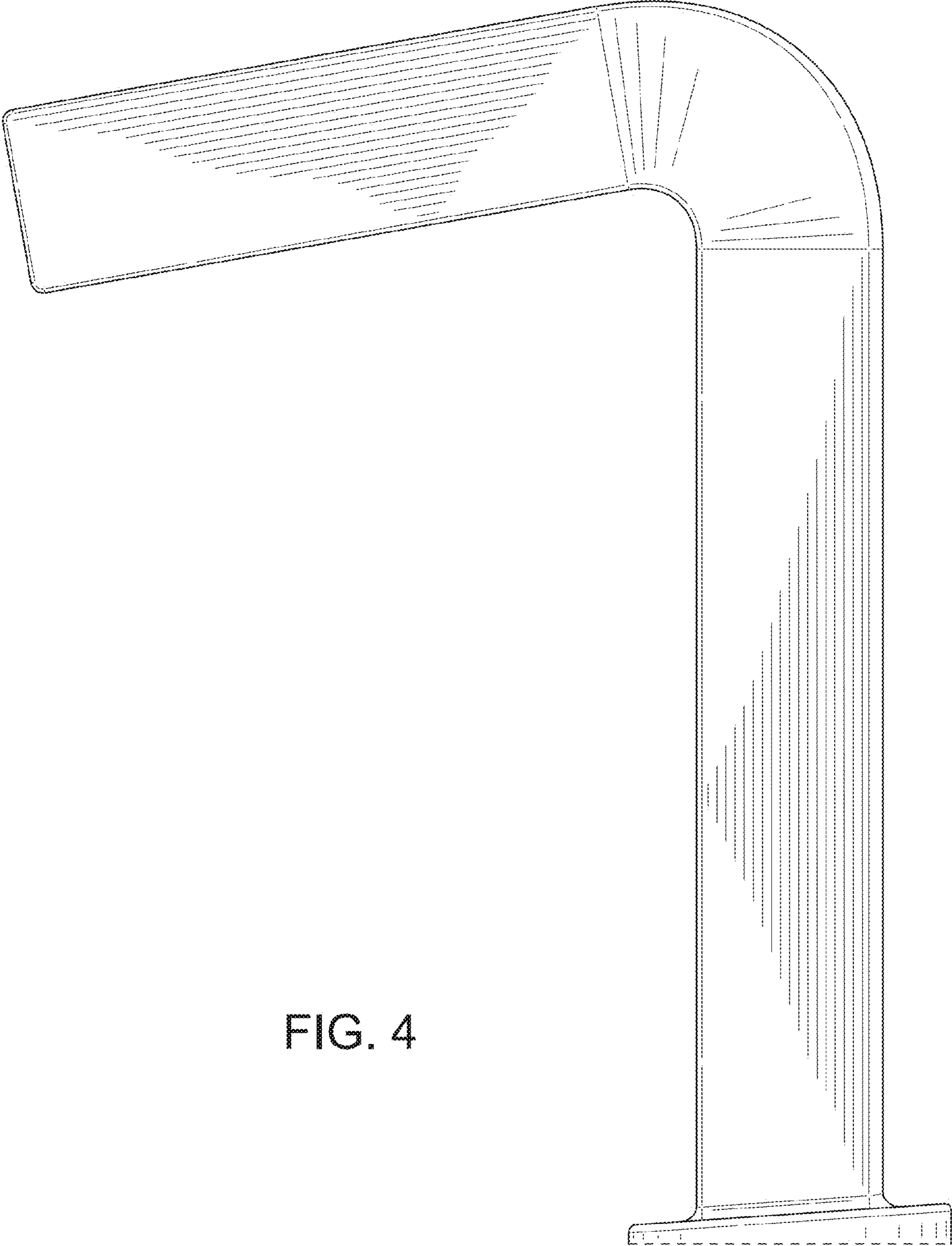


FIG. 4

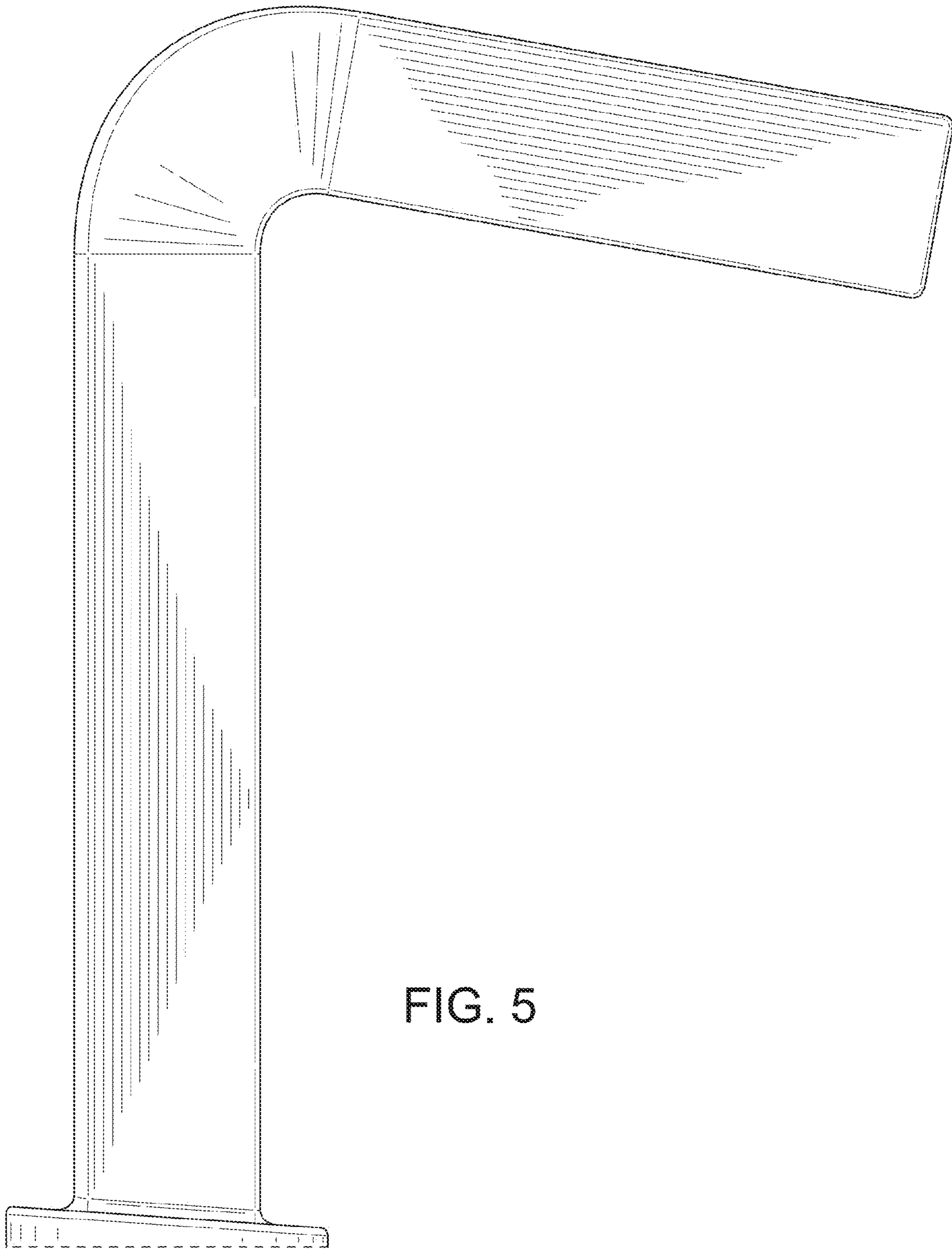


FIG. 5

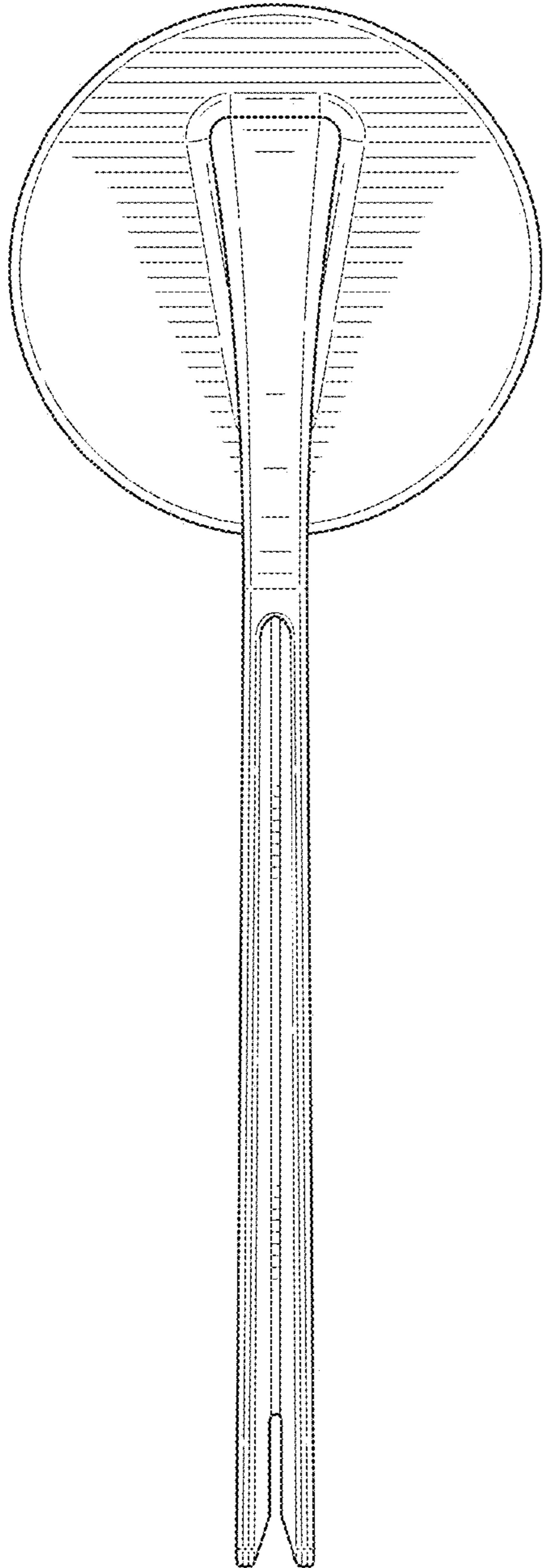


FIG. 6

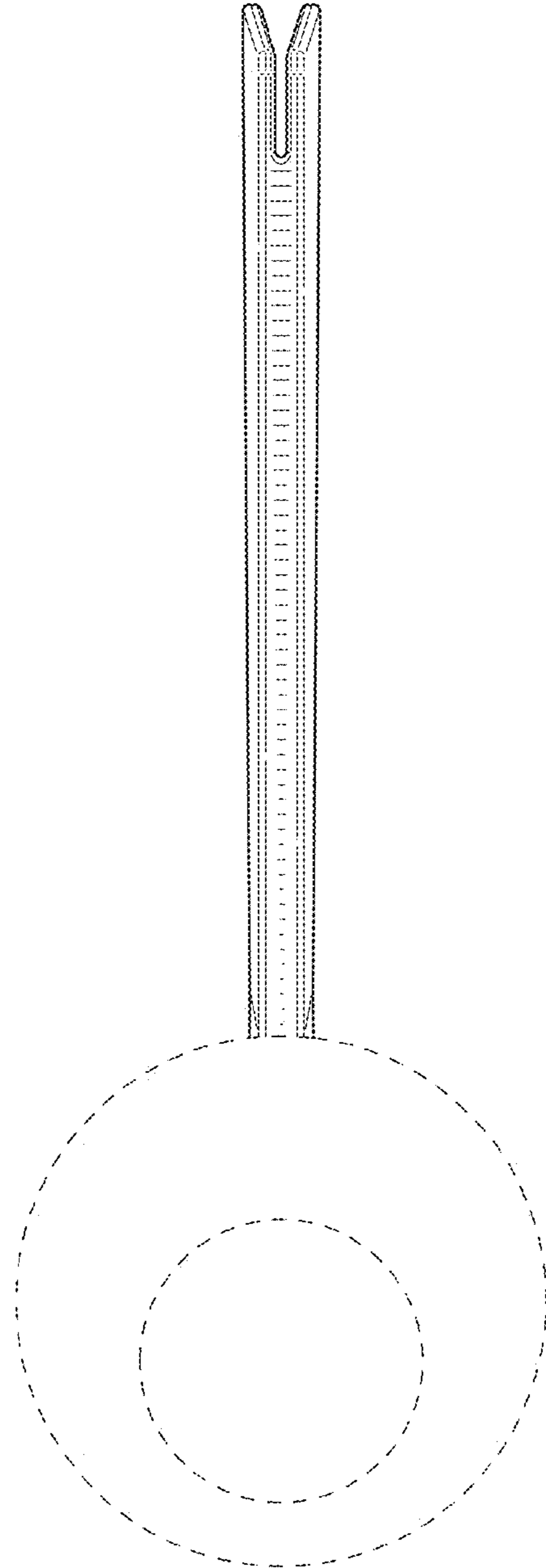


FIG. 7

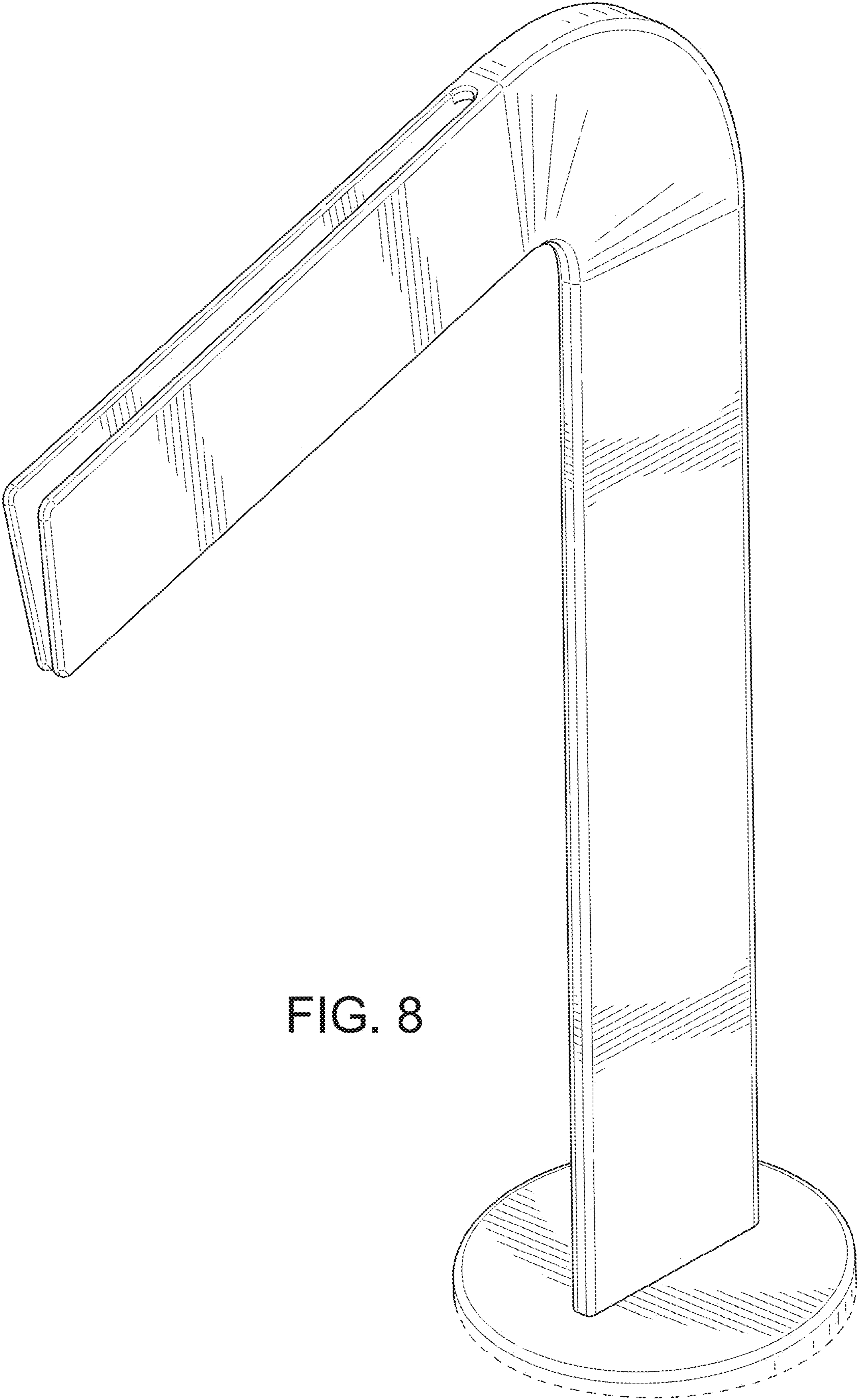
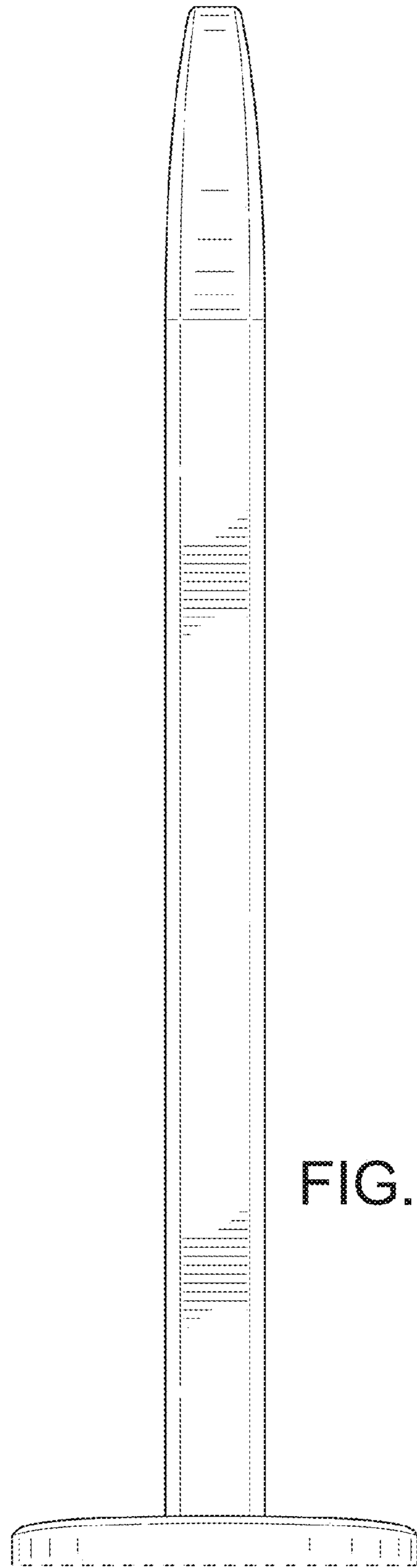
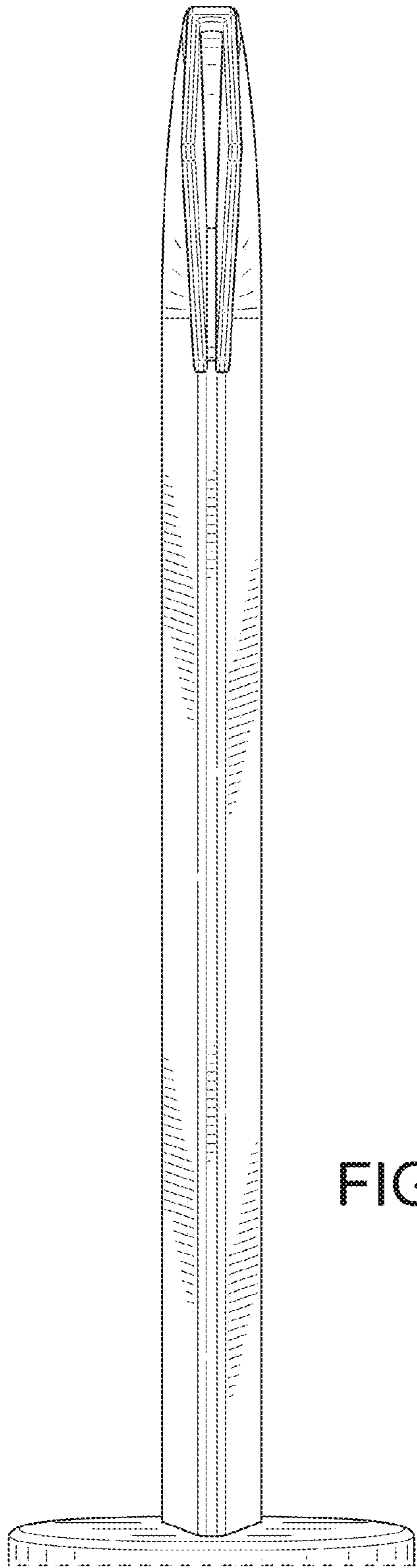


FIG. 8



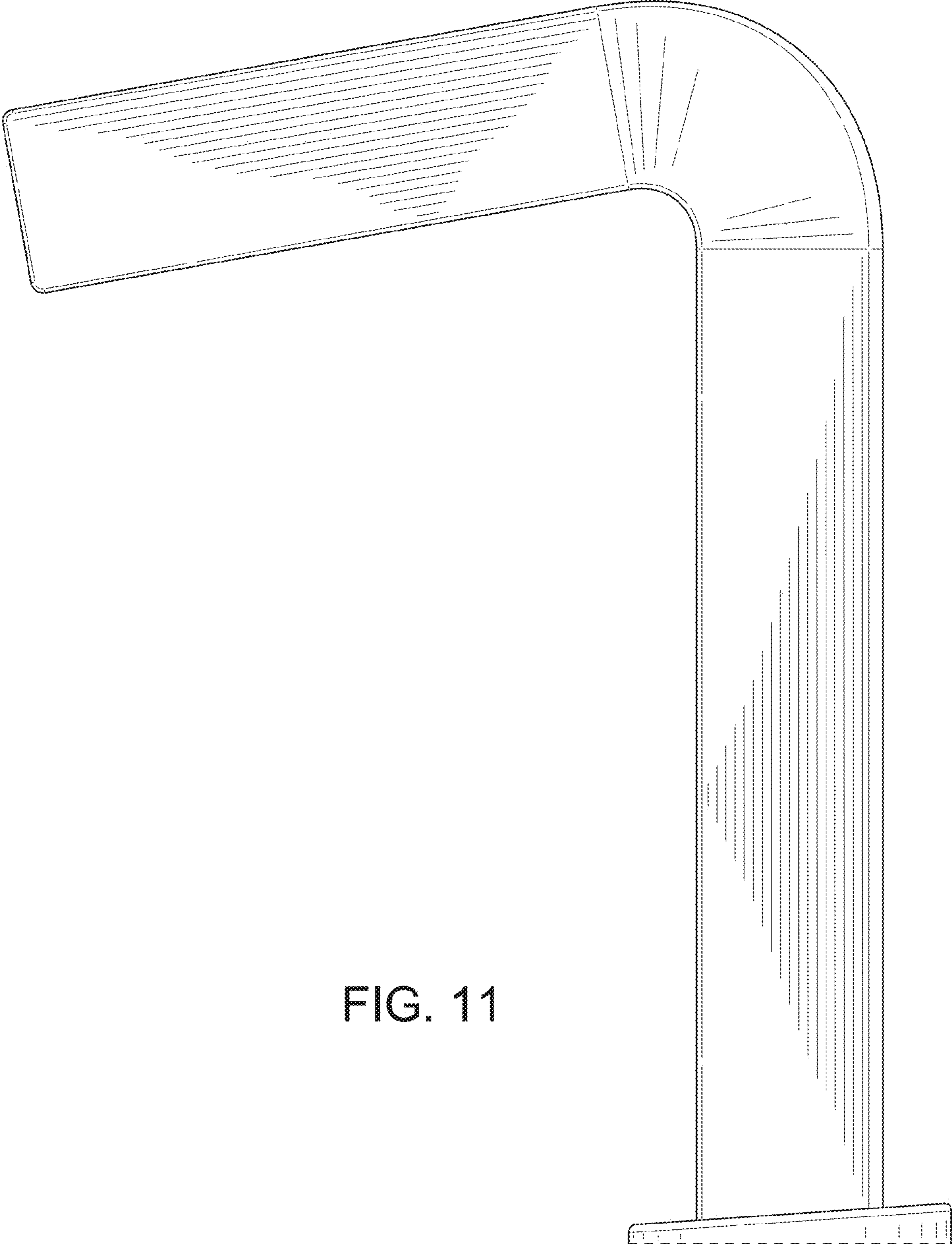


FIG. 11

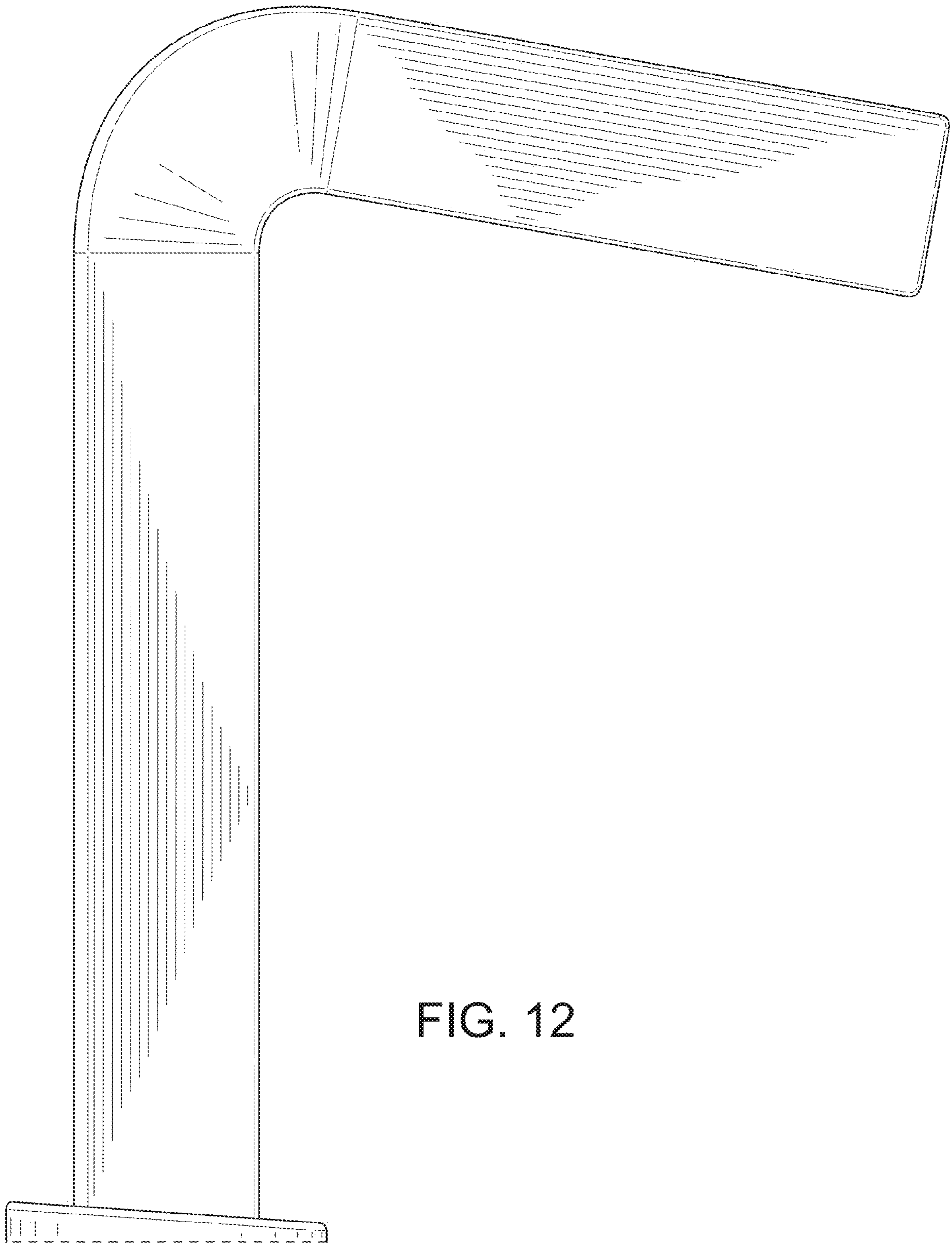


FIG. 12

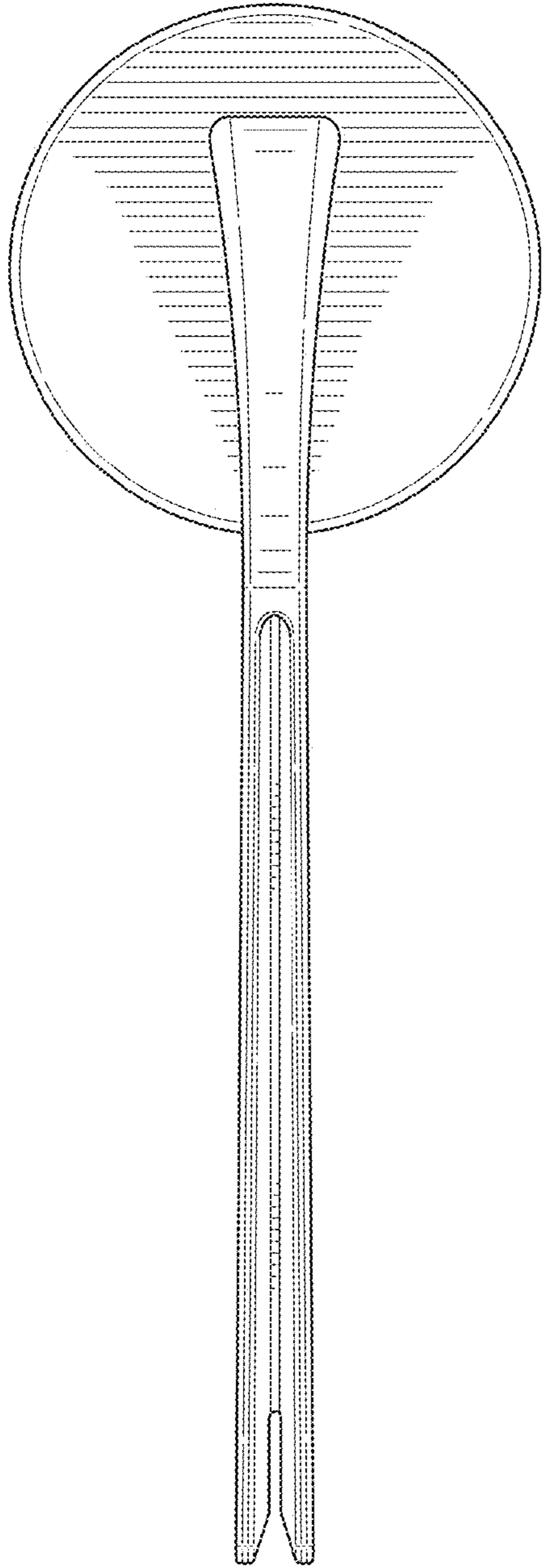


FIG. 13

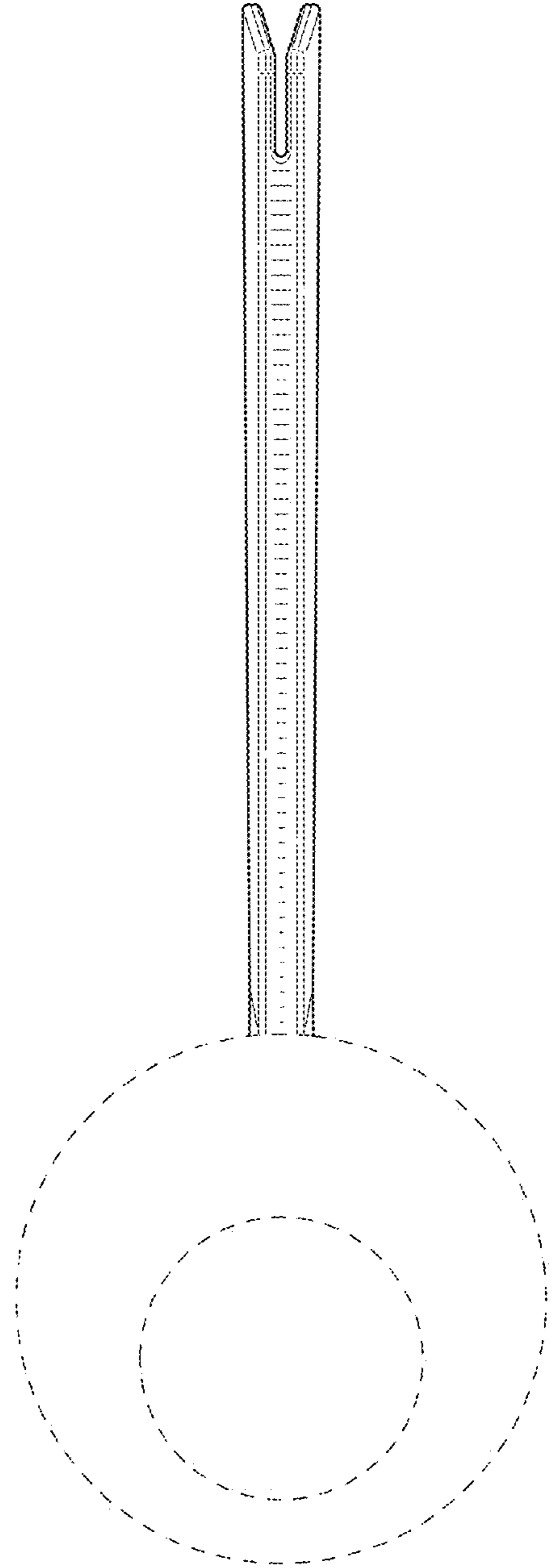


FIG. 14