



US00D934391S

(12) **United States Design Patent** (10) **Patent No.:** **US D934,391 S**
Weber (45) **Date of Patent:** **** *Oct. 26, 2021**

(54) **FAUCET HANDLE**

(56) **References Cited**

(71) Applicant: **DELTA FAUCET COMPANY,**
Indianapolis, IN (US)

U.S. PATENT DOCUMENTS

(72) Inventor: **Kristen Weber,** Park Ridge, IL (US)

D509,568 S *	9/2005	Blattner	D23/252
D522,103 S *	5/2006	Hoernig	D23/252
D790,668 S *	6/2017	Schaubach	D23/252
D797,894 S *	9/2017	Fritz	D23/252

(73) Assignee: **DELTA FAUCET COMPANY,**
Indianapolis, IN (US)

* cited by examiner

(*) Notice: This patent is subject to a terminal disclaimer.

Primary Examiner — Robert A Delehanty

(74) *Attorney, Agent, or Firm* — Nirav D. Parikh; Edgar A. Zarins

(**) Term: **15 Years**

(57) **CLAIM**

The ornamental design for a faucet handle, as shown and described.

(21) Appl. No.: **29/724,339**

DESCRIPTION

(22) Filed: **Feb. 14, 2020**

FIG. 1 is a front perspective view of a faucet handle showing my new design;

(51) **LOC (13) Cl.** **23-01**

FIG. 2 is a rear perspective view thereof;

(52) **U.S. Cl.**

FIG. 3 is a front elevational view thereof;

USPC **D23/252**

FIG. 4 is a left side view thereof;

(58) **Field of Classification Search**

FIG. 5 is a rear view thereof;

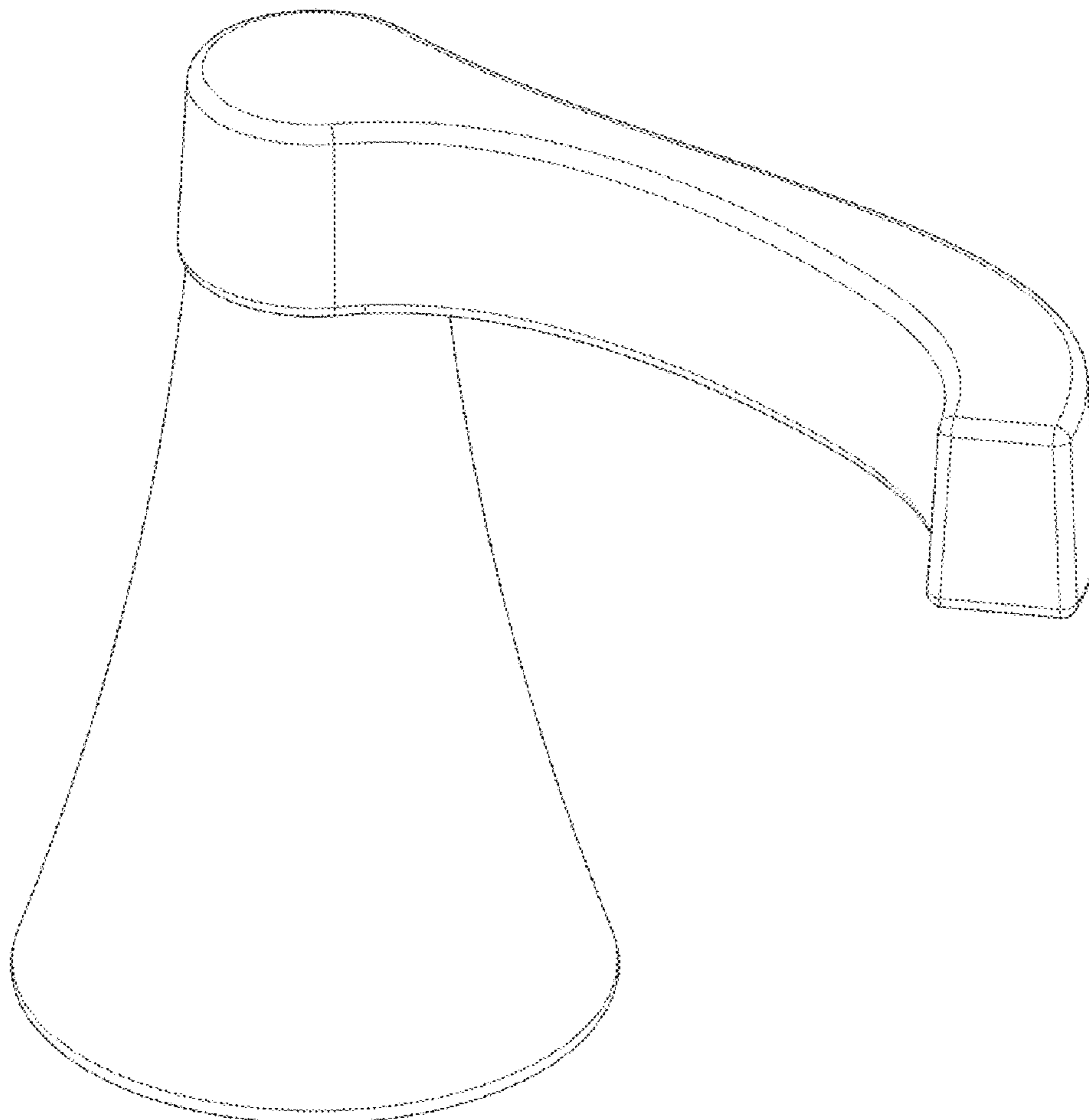
USPC D23/238–243, 250, 252, 254; D8/300,
D8/307

FIG. 6 is a right side view thereof; and,

FIG. 7 is a top plan view thereof.

See application file for complete search history.

1 Claim, 4 Drawing Sheets



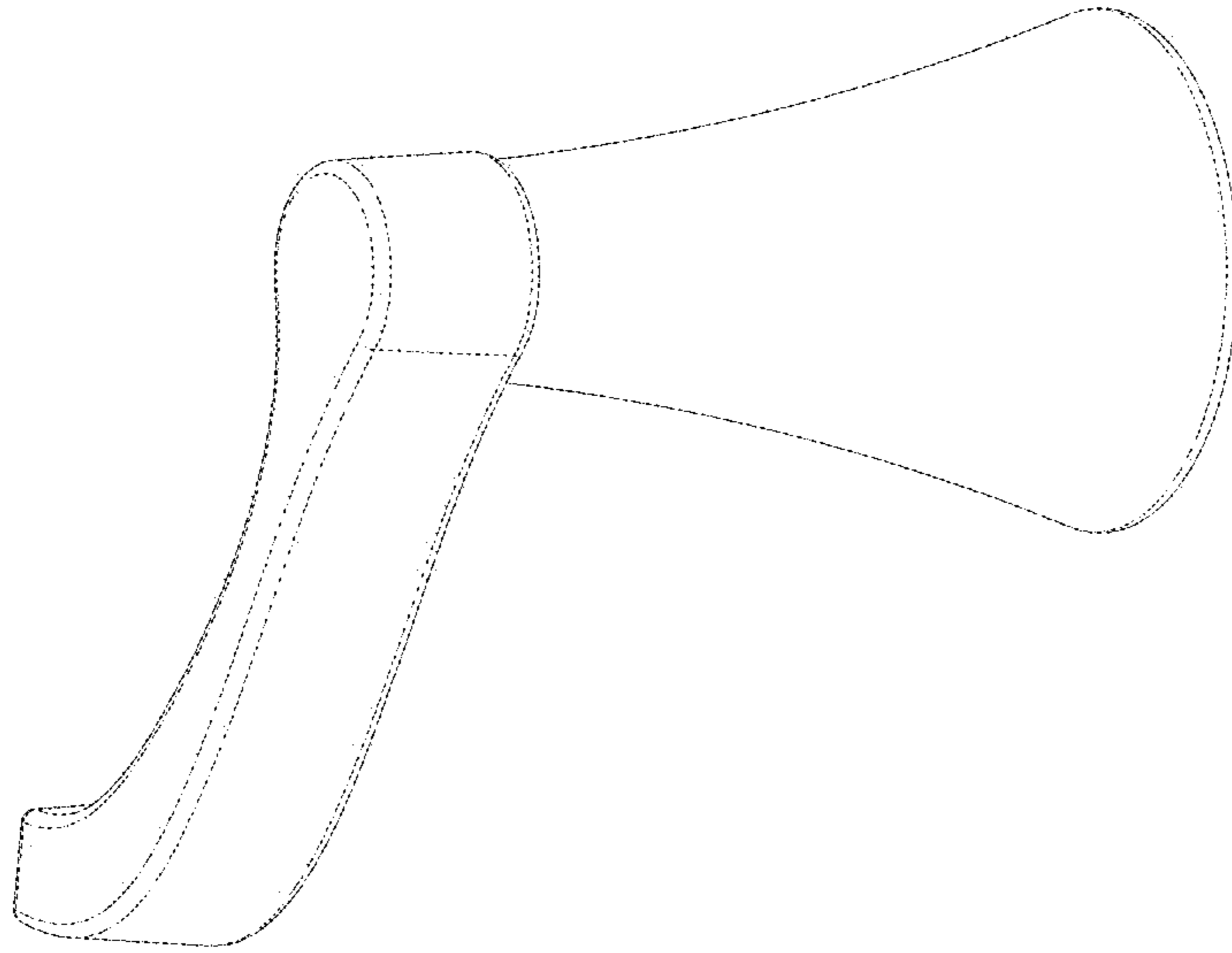


FIG. 2

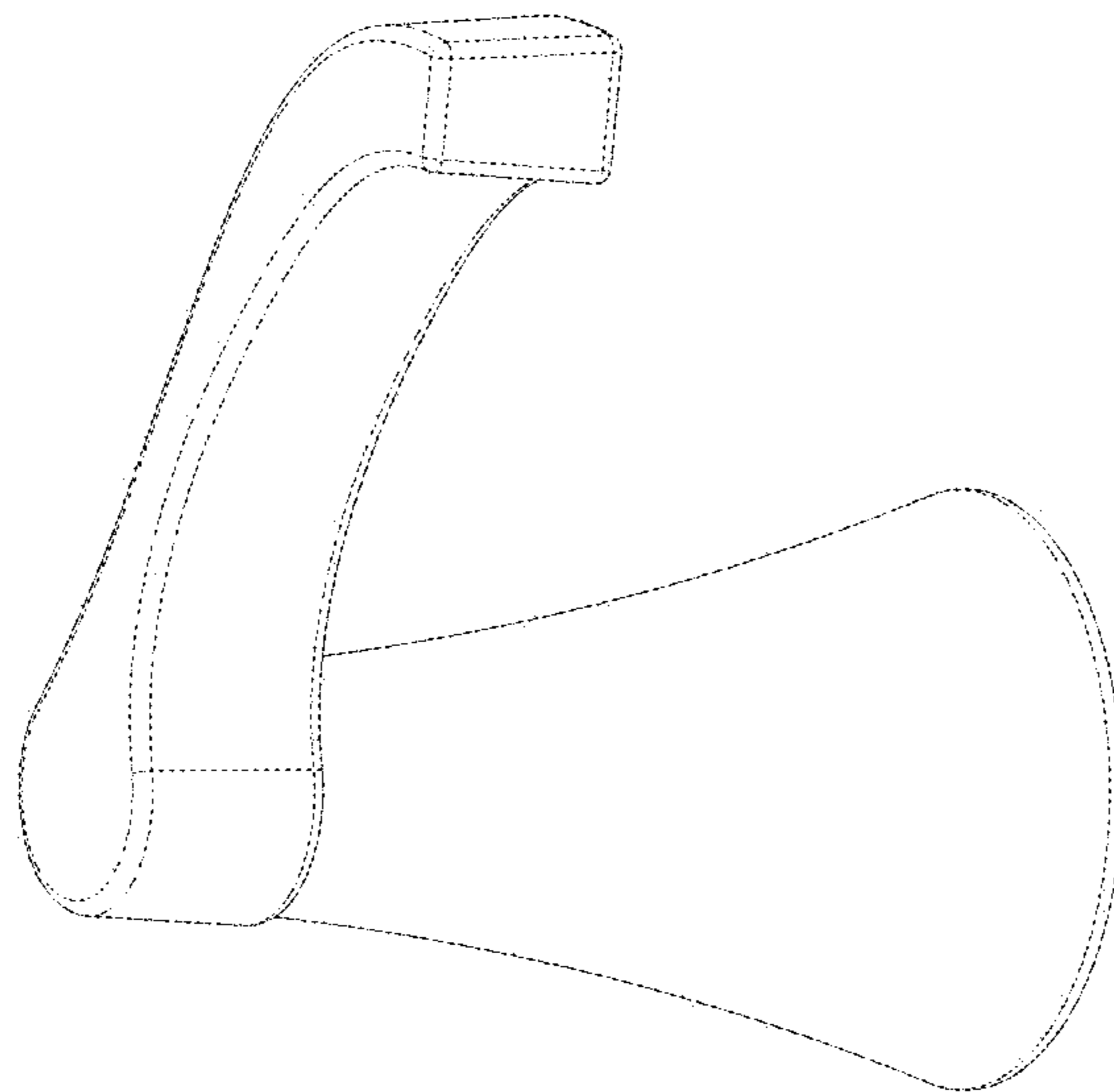


FIG. 1

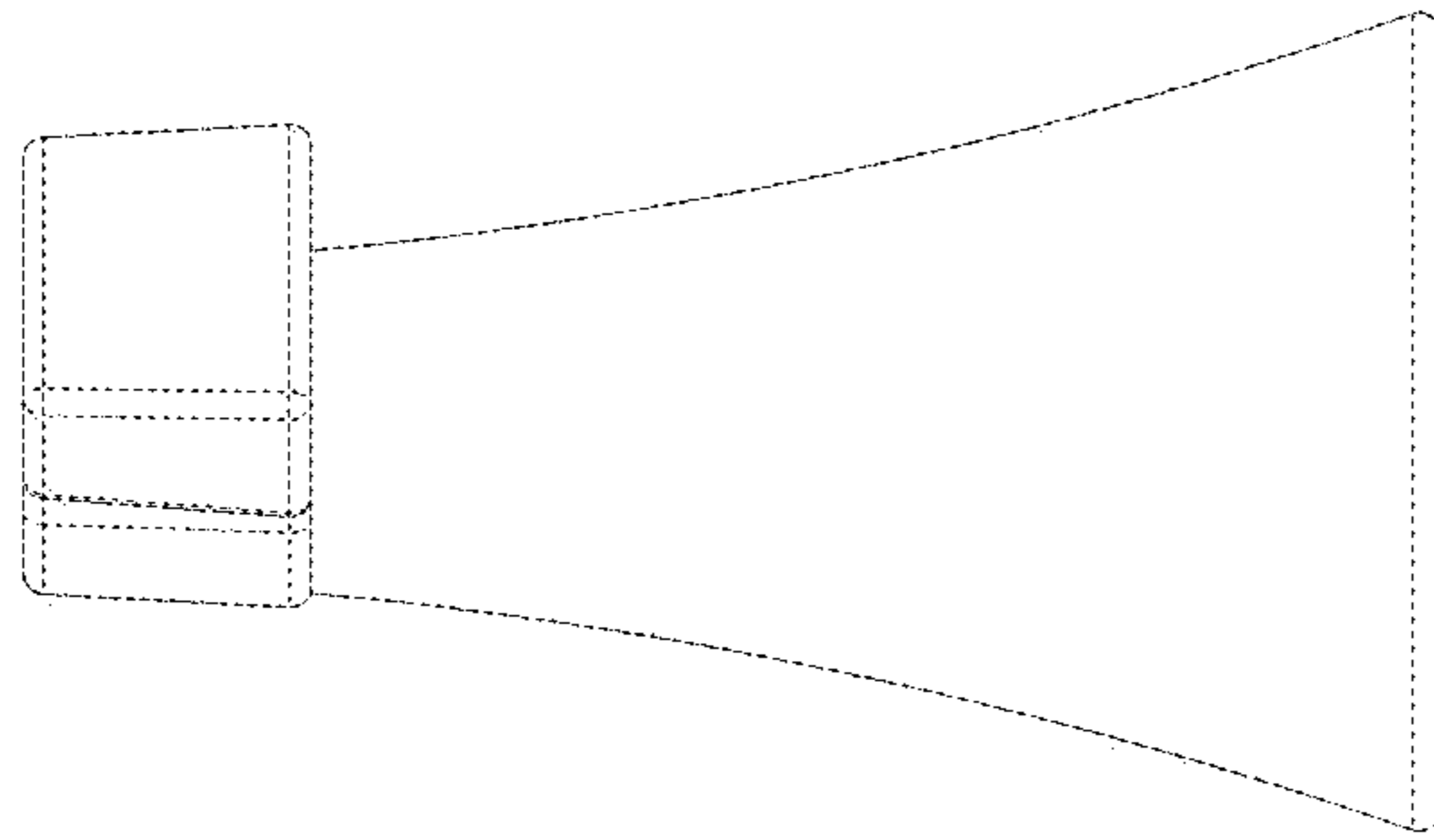


FIG. 4

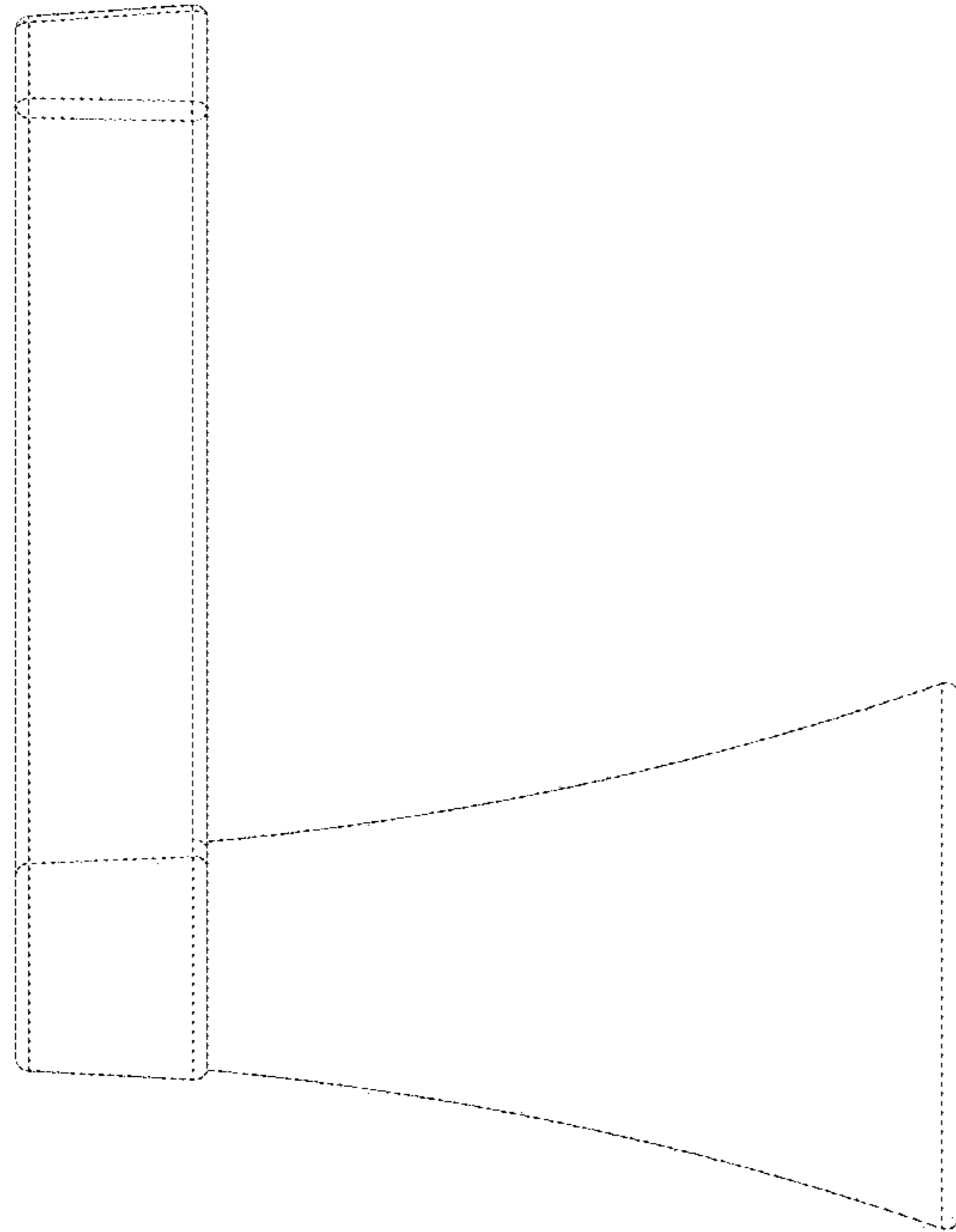


FIG. 3

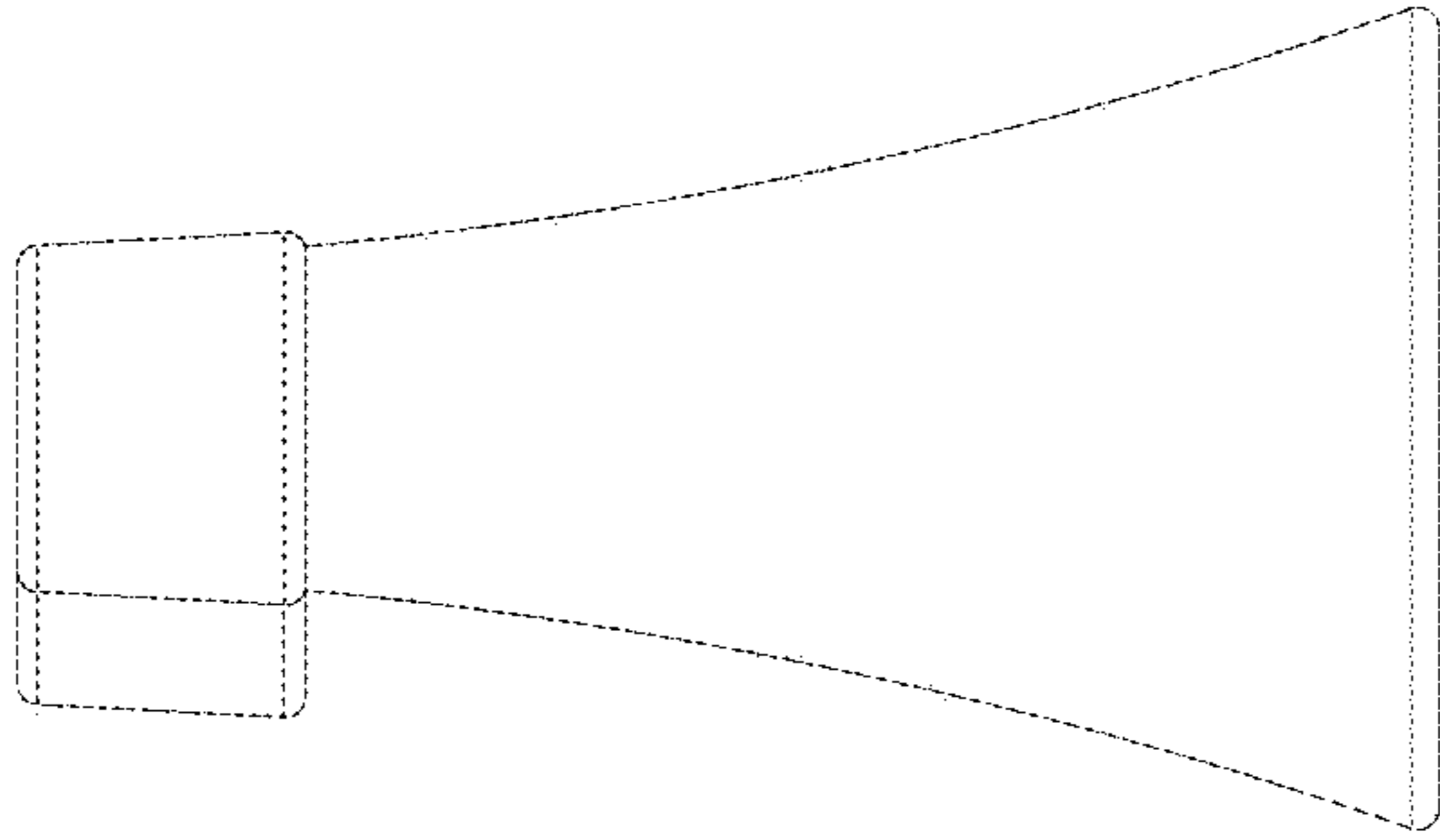


FIG. - 6

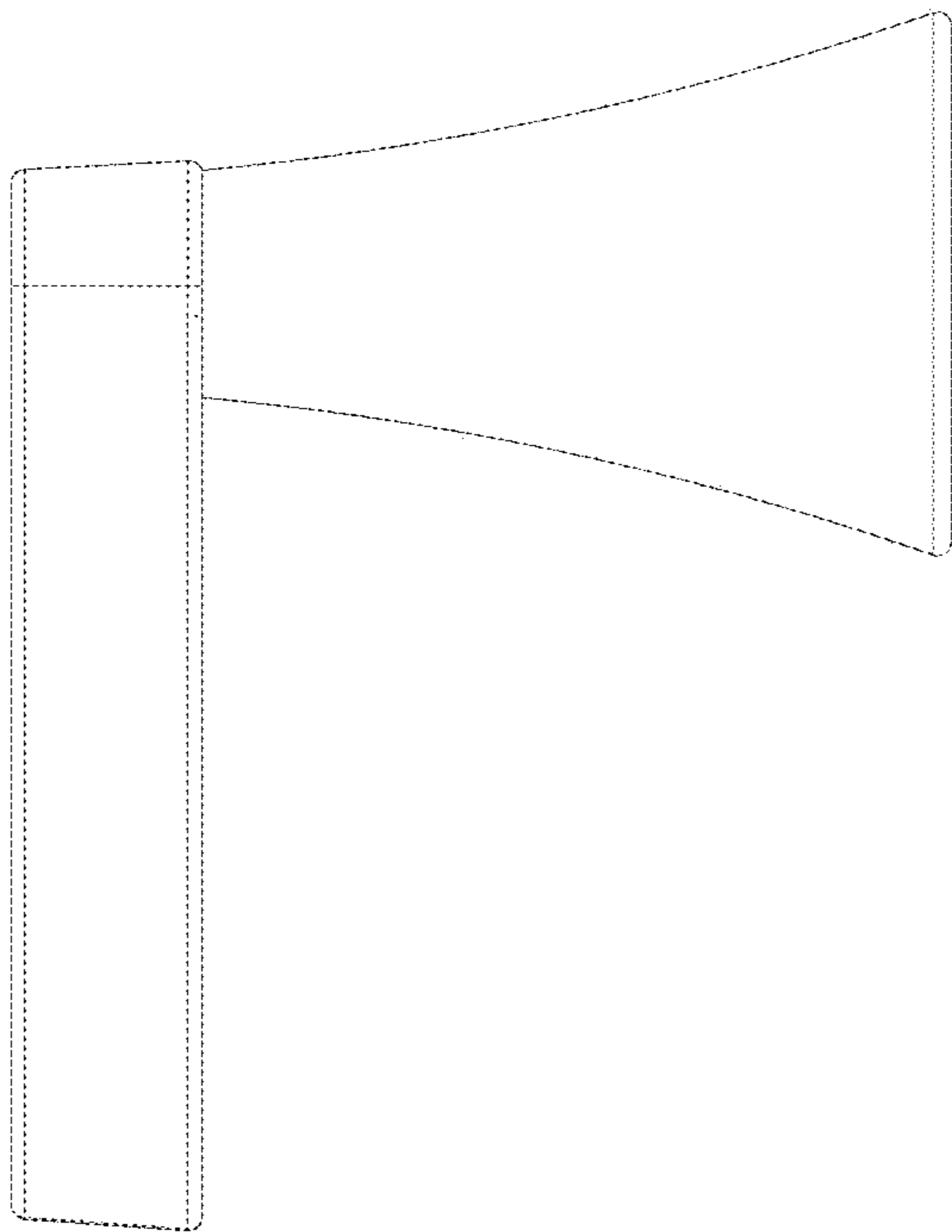


FIG. - 5

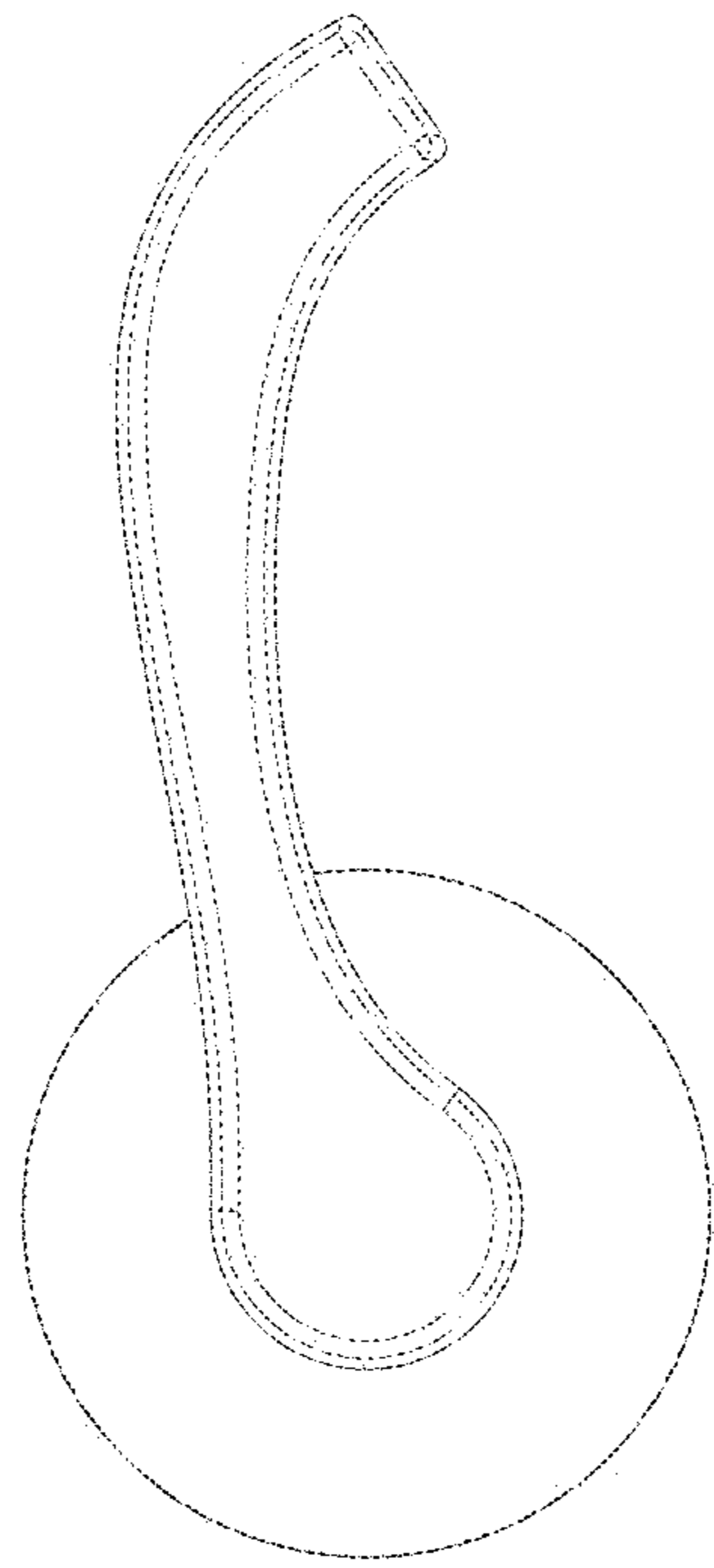


FIG - 7