



US00D934390S

(12) **United States Design Patent** (10) **Patent No.:** **US D934,390 S**
Levi (45) **Date of Patent:** **** Oct. 26, 2021**

(54) **FAUCET**

(71) Applicant: **KRAUS USA PLUMBING LLC**, Port Washington, NY (US)

(72) Inventor: **Russell Levi**, Port Washington, NY (US)

(73) Assignee: **KRAUS USA PLUMBING LLC**, Port Washington, NY (US)

(**) Term: **15 Years**

(21) Appl. No.: **29/773,004**

(22) Filed: **Mar. 5, 2021**

Related U.S. Application Data

(63) Continuation of application No. 29/701,758, filed on Aug. 14, 2019, now Pat. No. Des. 912,780.

(51) **LOC (13) Cl.** **23-01**

(52) **U.S. Cl.**
USPC **D23/242**

(58) **Field of Classification Search**
USPC D23/238, 239, 240, 241, 242, 243, 249, D23/250, 255, 256, 257
CPC E03C 1/04; E03C 1/0401; E03C 1/0402; E03C 1/0404; E03C 1/0405; E03C 1/0412; Y10T 137/9464
See application file for complete search history.

(56) **References Cited**

U.S. PATENT DOCUMENTS

D516,177 S * 2/2006 Ouyoung D23/241
D540,918 S * 4/2007 Haug D23/241
D589,595 S * 3/2009 Eilmus D23/238
D685,880 S * 7/2013 Fritz D23/242

D686,301 S * 7/2013 Fritz D23/249
D696,750 S * 12/2013 Standefer D23/242
D797,245 S * 9/2017 Downey D23/242
D803,360 S * 11/2017 Rexach D23/242
D835,239 S * 12/2018 Ziemann D23/242
D840,510 S * 2/2019 Garland D23/242
D853,530 S * 7/2019 Eads D23/242
D912,780 S * 3/2021 Levi D23/242

OTHER PUBLICATIONS

Kraus Urbix Industrial Bridge Kitchen Faucet with Side Sprayer [Jun. 22, 2021] found online [Jun. 22, 2021]—<https://www.kraususa.com/kitchen/kitchen-faucets/industrial-bridge-kitchen-faucet-with-side-sprayer-in-matte-black-red.html>.*

* cited by examiner

Primary Examiner — John A Voytek

(74) *Attorney, Agent, or Firm* — Nirav D. Parikh; Edgar A. Zarins

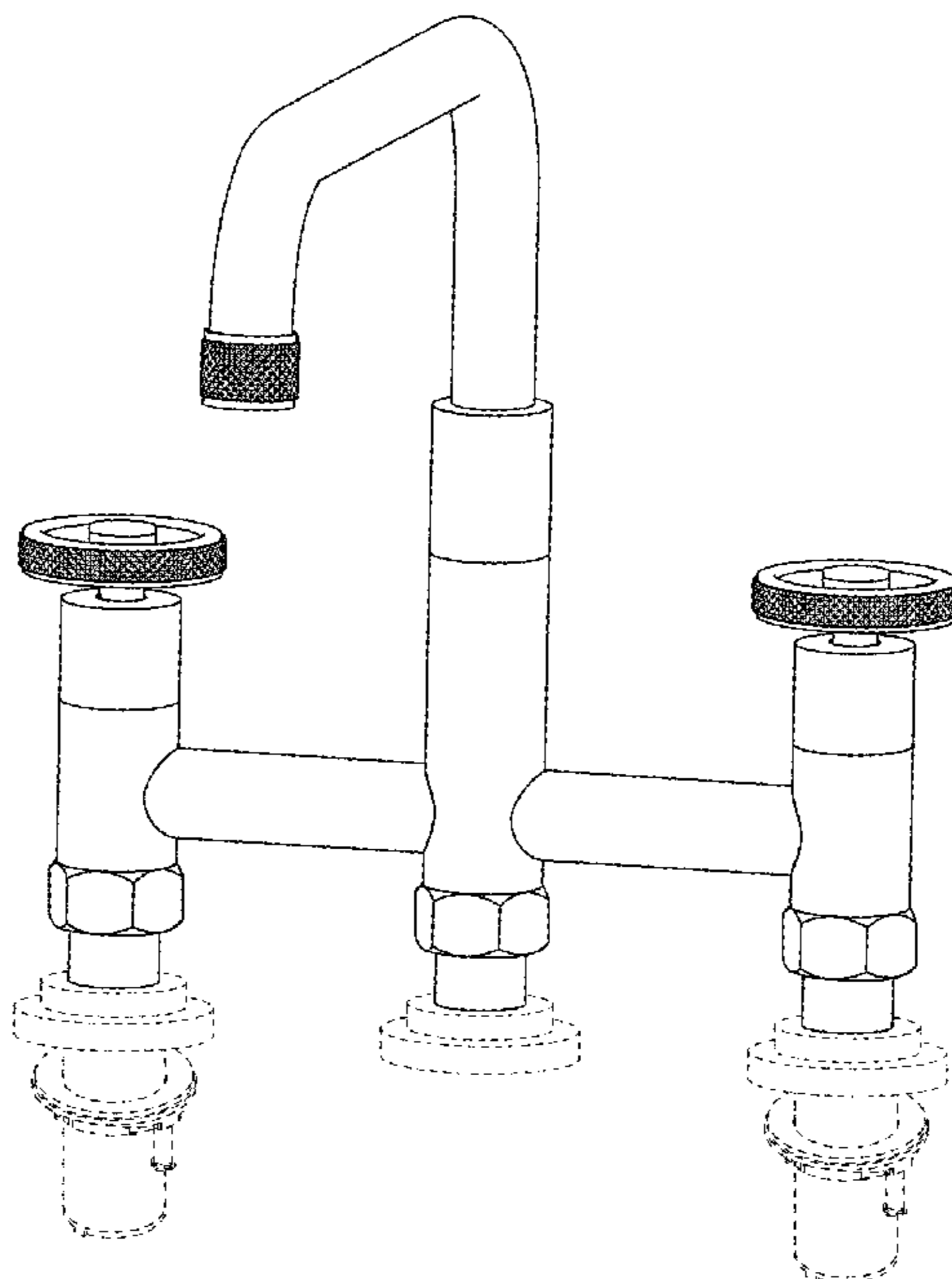
(57) **CLAIM**

The ornamental design for a faucet, as shown and described.

DESCRIPTION

FIG. 1 is a front perspective view of a faucet in accordance with the present design;
FIG. 2 is a front elevational view thereof;
FIG. 3 is a rear elevational view thereof;
FIG. 4 is a right side elevational view thereof;
FIG. 5 is a left side elevational thereof;
FIG. 6 is a top plan view thereof; and,
FIG. 7 is a bottom plan view thereof.
The broken lines shown are included for the purpose of illustrating a portion of the faucet that form no part of the claimed design.

1 Claim, 7 Drawing Sheets



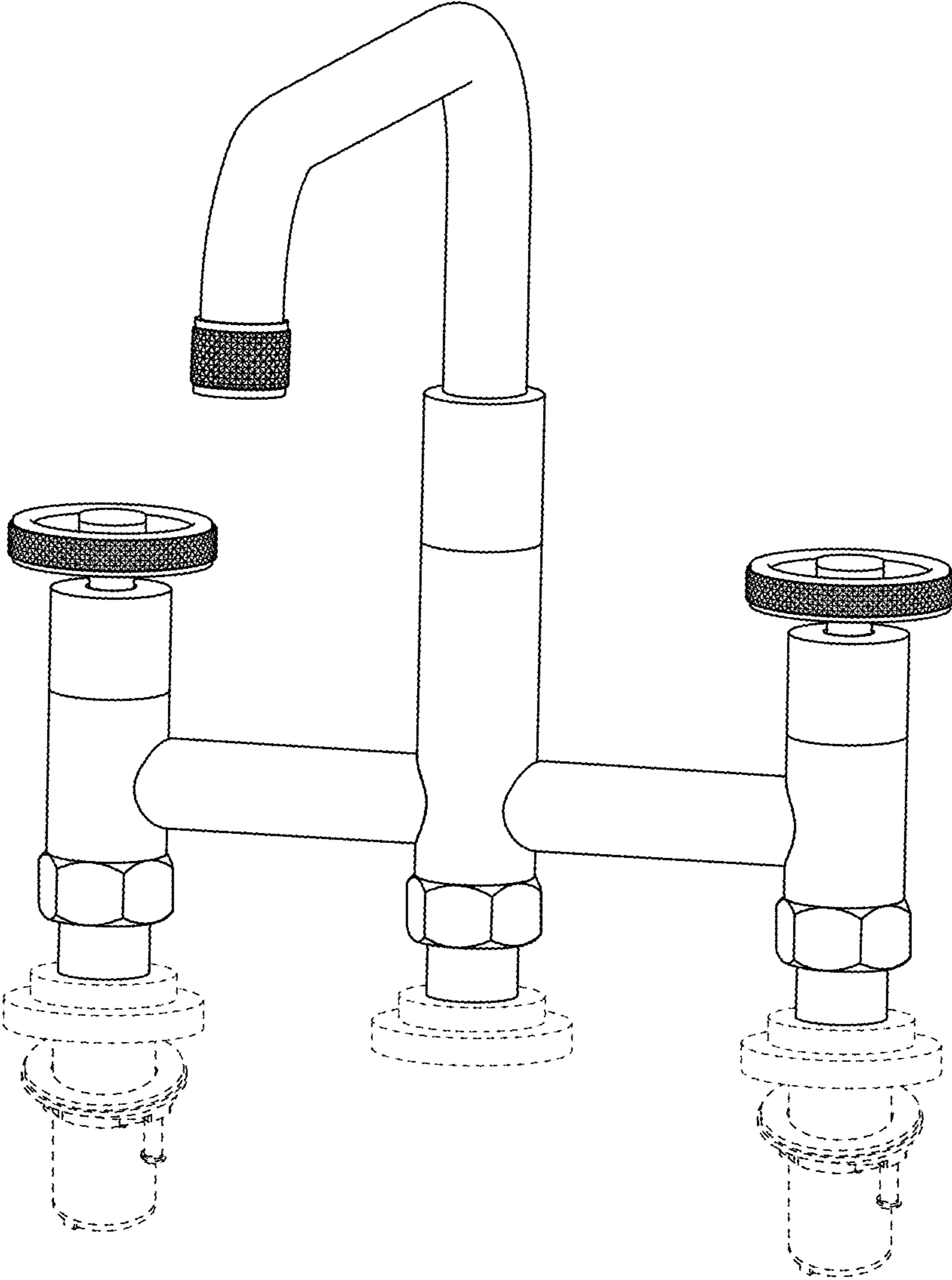


FIG. 1

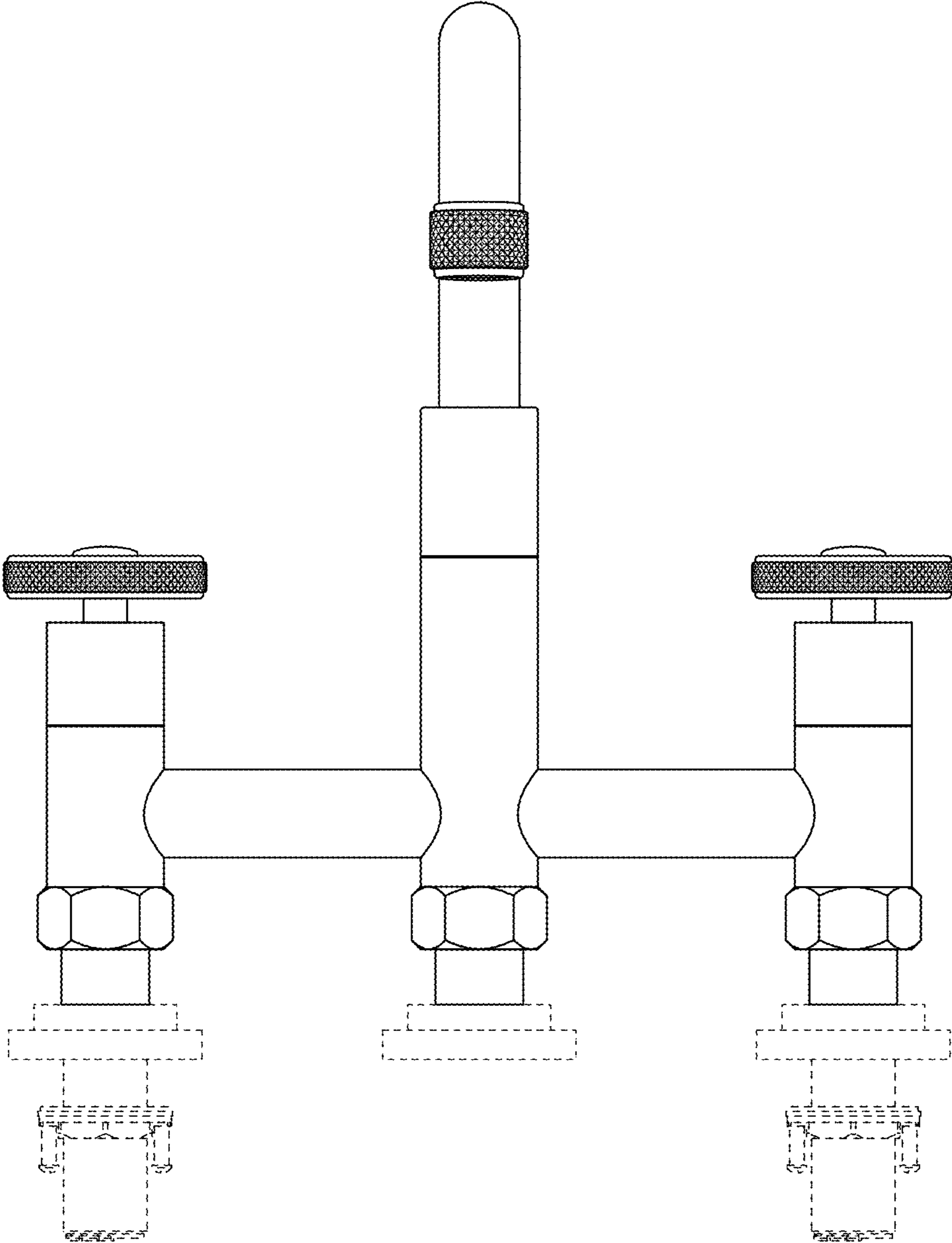


FIG. 2

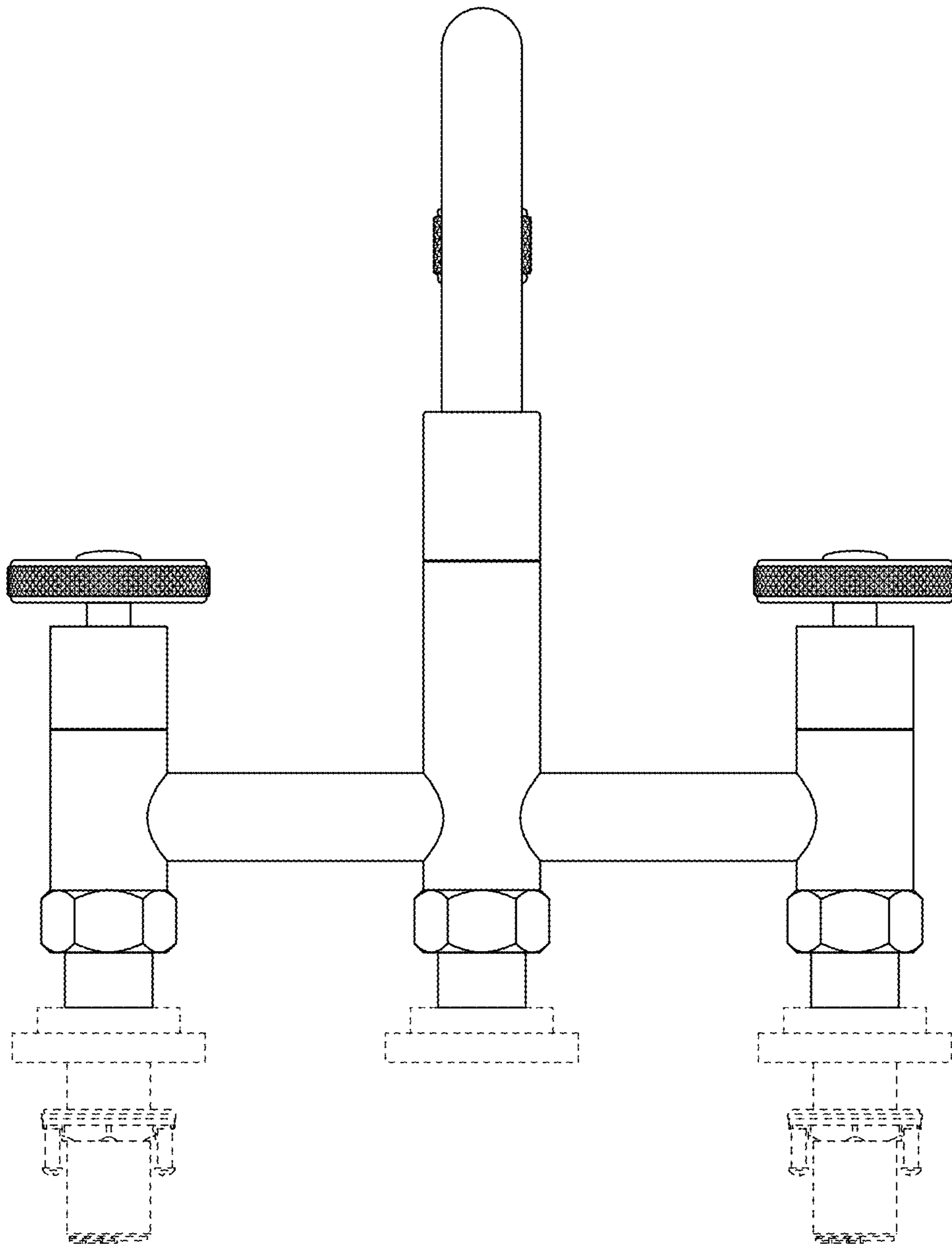


FIG. 3

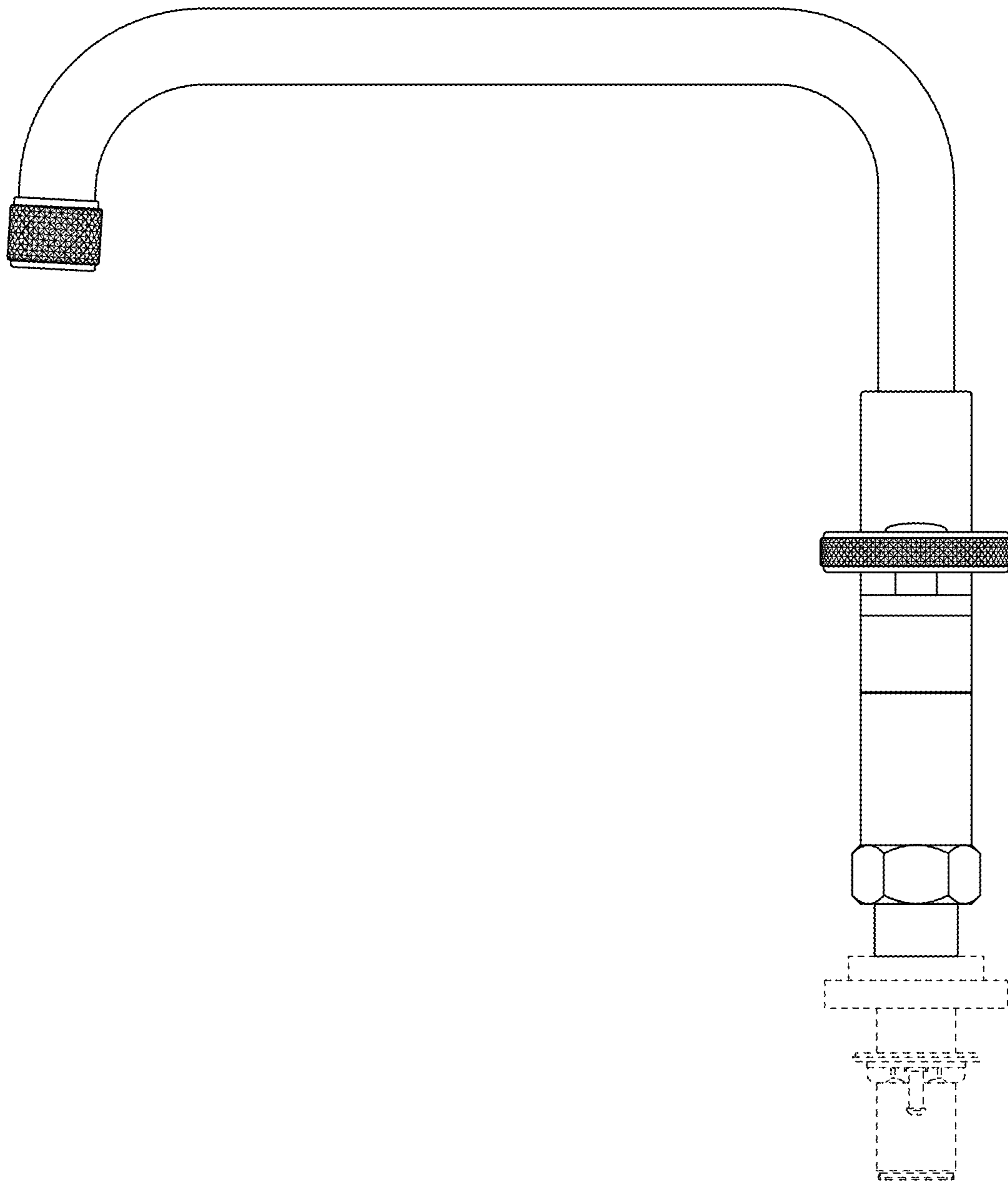


FIG. 4

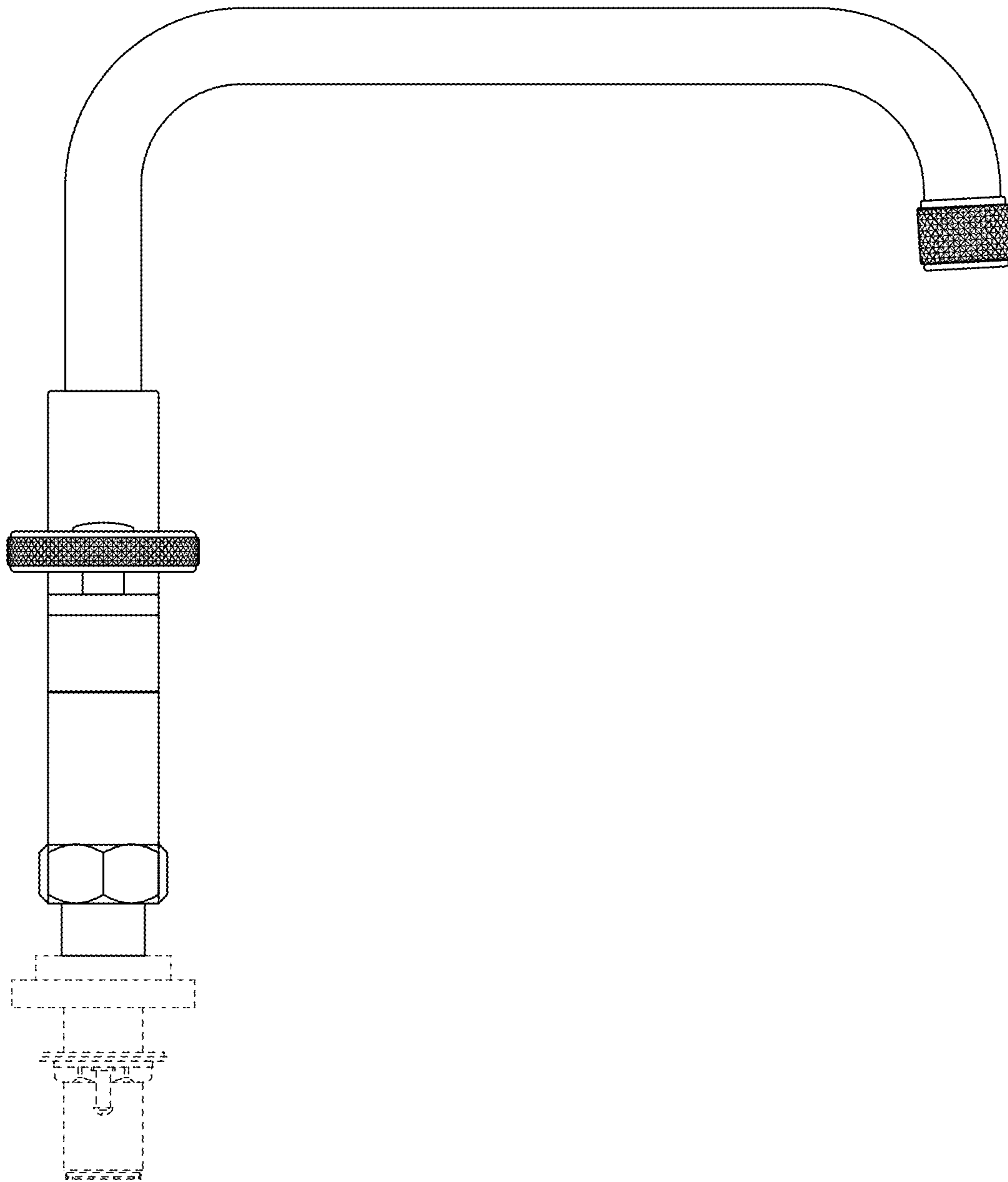


FIG. 5

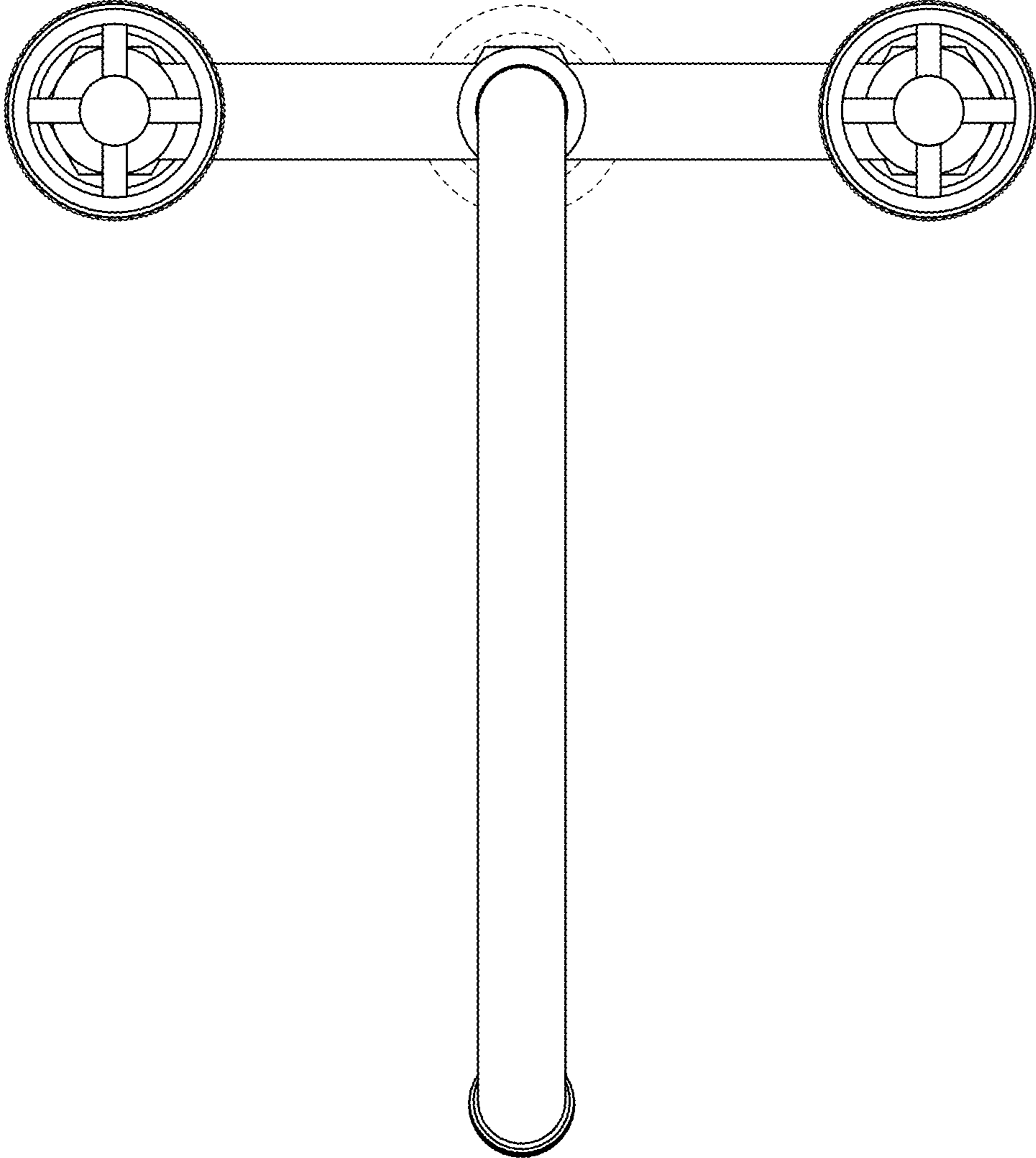


FIG. 6

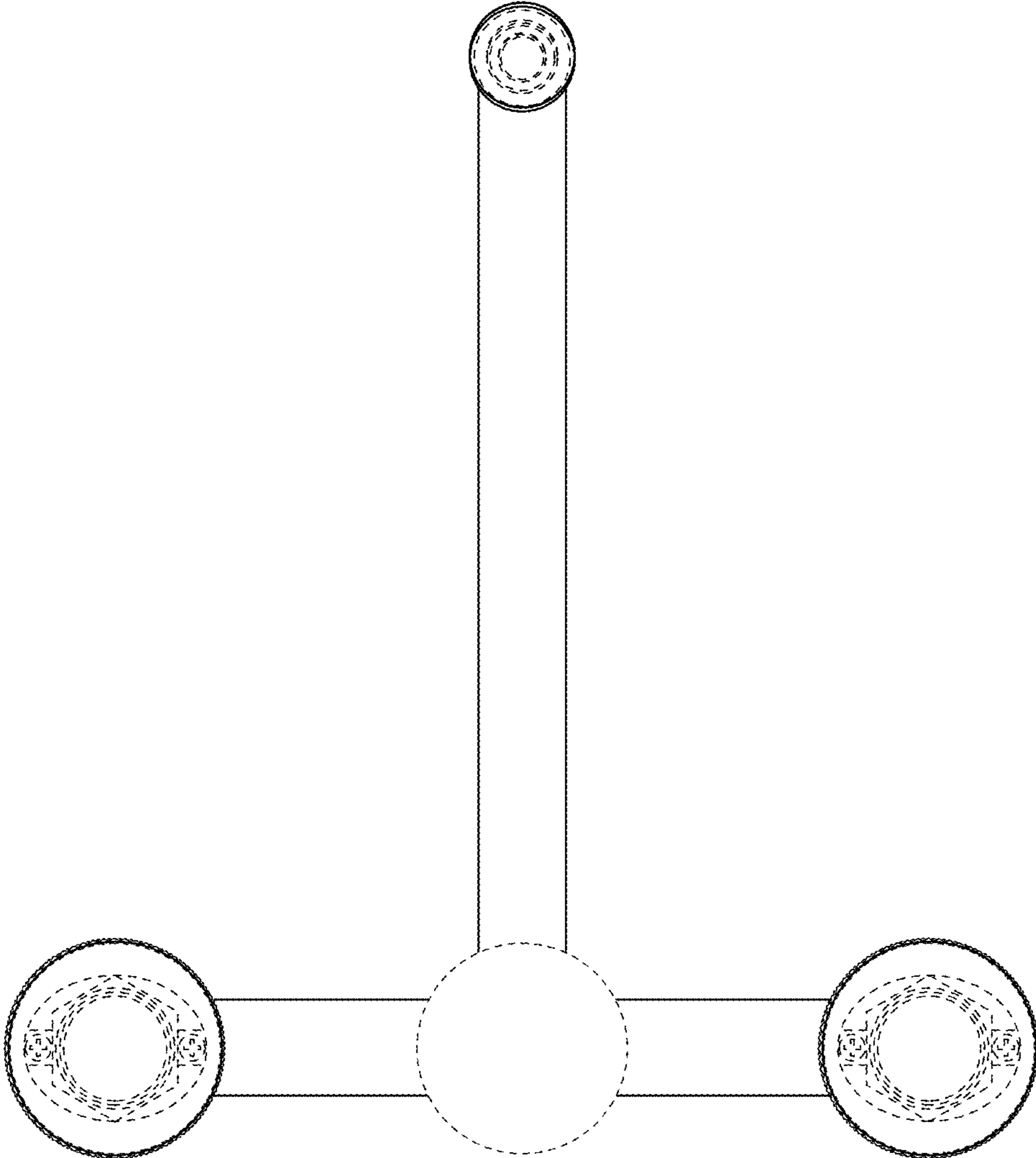


FIG. 7