



US00D934389S

(12) **United States Design Patent** (10) **Patent No.:** **US D934,389 S**
Levi (45) **Date of Patent:** **** Oct. 26, 2021**

(54) **FAUCET**

(71) Applicant: **KRAUS USA PLUMBING LLC**, Port Washington, NY (US)

(72) Inventor: **Russell Levi**, Port Washington, NY (US)

(73) Assignee: **KRAUS USA PLUMBING LLC**, Port Washington, NY (US)

(**) Term: **15 Years**

(21) Appl. No.: **29/773,014**

(22) Filed: **Mar. 5, 2021**

Related U.S. Application Data

(62) Division of application No. 29/701,574, filed on Aug. 13, 2019, now Pat. No. Des. 914,144.

(51) **LOC (13) Cl.** **23-01**

(52) **U.S. Cl.**
USPC **D23/238**

(58) **Field of Classification Search**
USPC D23/238, 239, 240, 241, 242, 243, 249,
D23/250, 255, 256, 257
CPC E03C 1/04; E03C 1/0401; E03C 1/0402;
E03C 1/0404; E03C 1/0405; E03C
1/0412; Y10T 137/9464
See application file for complete search history.

(56) **References Cited**

U.S. PATENT DOCUMENTS

D513,526 S *	1/2006	Marshall	D23/238
D686,300 S *	7/2013	Fritz	D23/238
D807,476 S *	1/2018	Haug	D23/238
D822,170 S *	7/2018	Haug	D23/238
D835,237 S *	12/2018	Ziemann	D23/238
D840,508 S *	2/2019	Garland	D23/238
D840,509 S *	2/2019	Garland	D23/238
D849,202 S *	5/2019	Zhang	D23/238

D860,392 S *	9/2019	Garland	D23/238
D865,122 S *	10/2019	Eads	D23/238
D869,610 S *	12/2019	Garland	D23/238
D870,852 S *	12/2019	Eads	D23/238
D871,547 S *	12/2019	Eads	D23/238
D873,380 S *	1/2020	Judge	D23/238
D913,433 S *	3/2021	Ao	D23/238
D914,144 S *	3/2021	Levi	D23/238
D914,847 S *	3/2021	Zhang	D23/238
D919,052 S *	5/2021	He	D23/238

(Continued)

OTHER PUBLICATIONS

Sellette Traditional Single Handle Pull-Down Kitchen Faucet in Oil Rubbed Bronze [Jun. 22, 2021] fpond online [Jun. 22, 2021]—<https://www.kraususa.com/kraus-kpf-1682orb-traditional-single-handle-pull-down-kitchen-faucet-in-oil-rubbed-bronze.html>.*

Primary Examiner — John A Voytek

(74) *Attorney, Agent, or Firm* — Nirav D. Parikh; Edgar A. Zarins

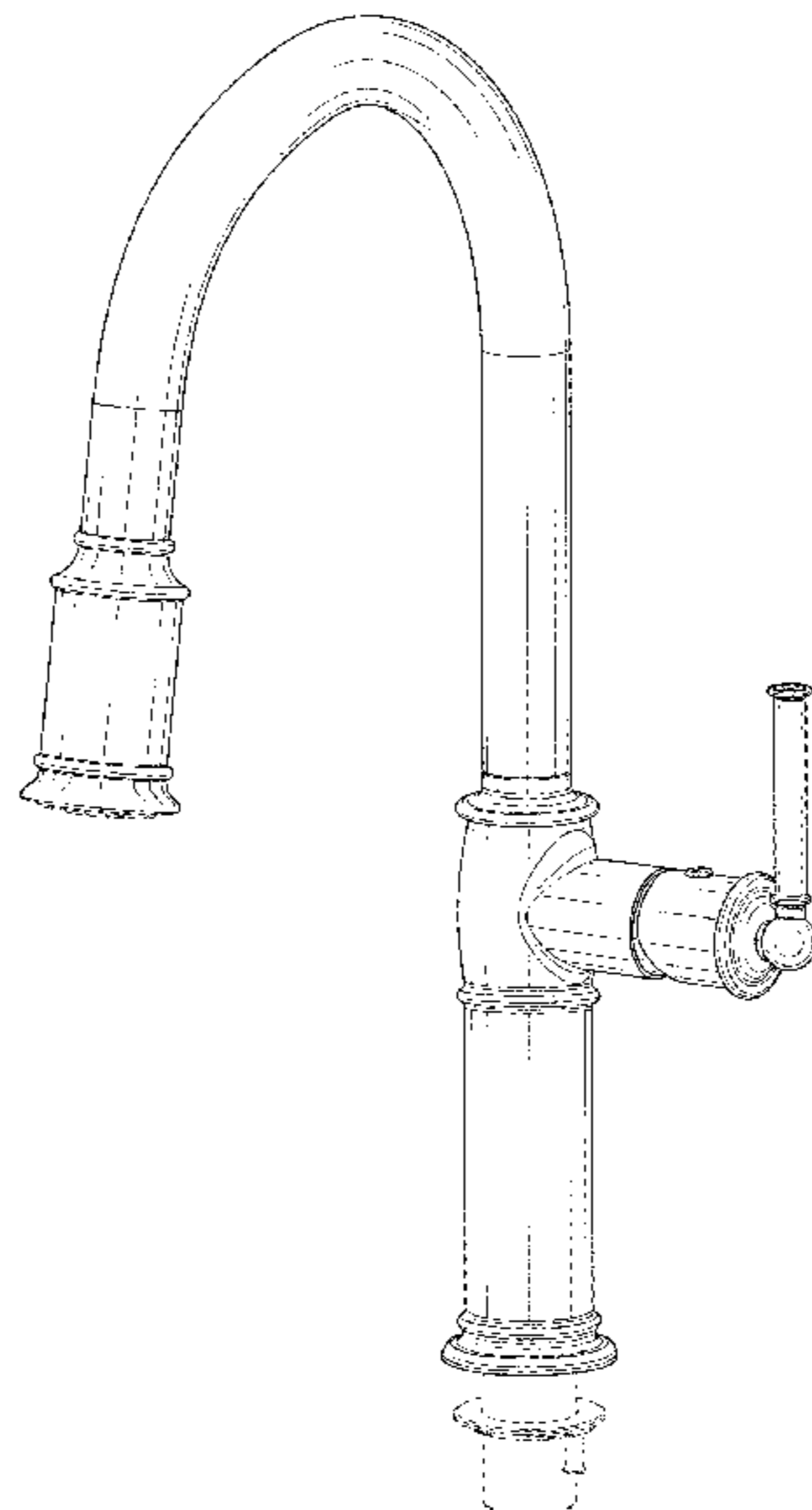
(57) **CLAIM**

The ornamental design for a faucet, as shown and described.

DESCRIPTION

FIG. 1 is a front perspective view of a faucet in accordance with the present design;
FIG. 2 is a front elevational view thereof;
FIG. 3 is a rear elevational view thereof;
FIG. 4 is a left side elevational view thereof;
FIG. 5 is a right side elevational thereof;
FIG. 6 is a top plan view thereof;
FIG. 7 is a bottom plan view thereof; and,
FIG. 8 is a perspective view of the faucet shown with a sprayer of the faucet in a pulled down configuration.
The broken lines shown are included for the purpose of illustrating a portion of the faucet that form no part of the claimed design.

1 Claim, 6 Drawing Sheets



(56)

References Cited

U.S. PATENT DOCUMENTS

2018/0195711 A1* 7/2018 Schneider, II E03C 1/057
2019/0078305 A1* 3/2019 Lin E03C 1/0404

* cited by examiner

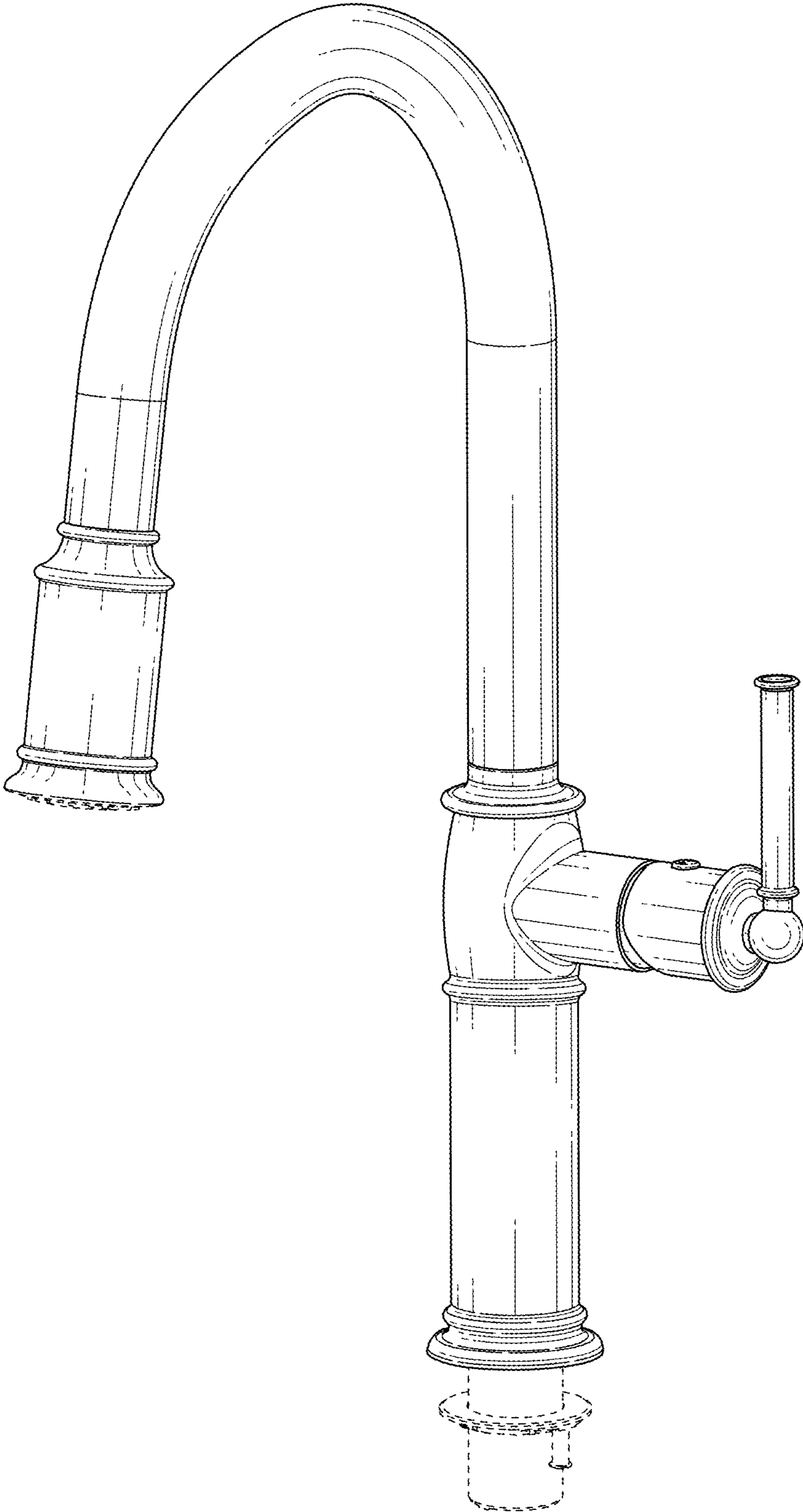


FIG. 1

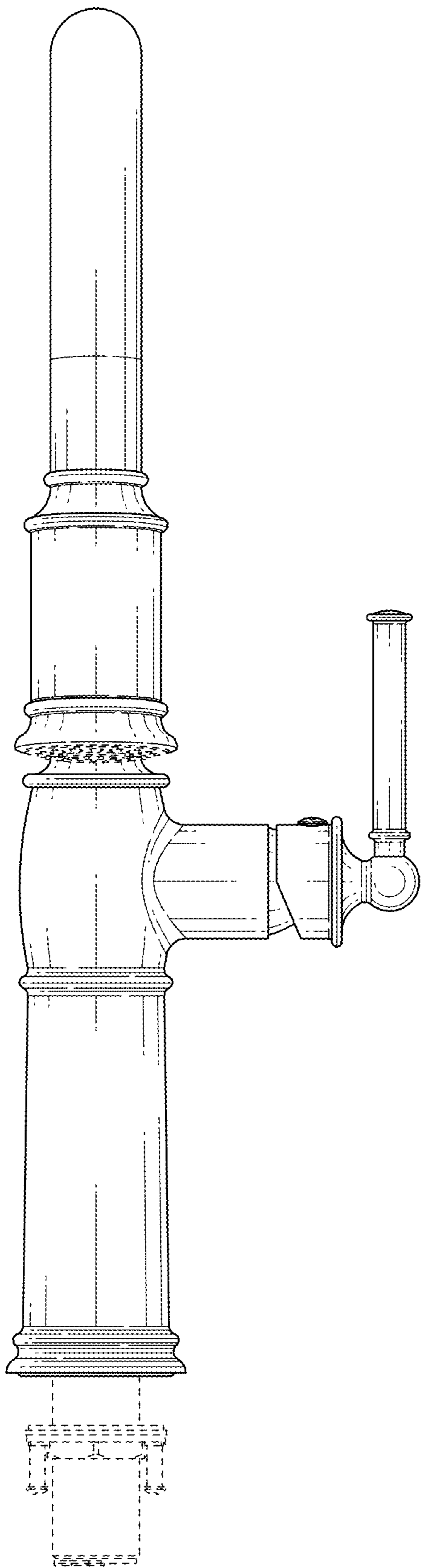


FIG. 2

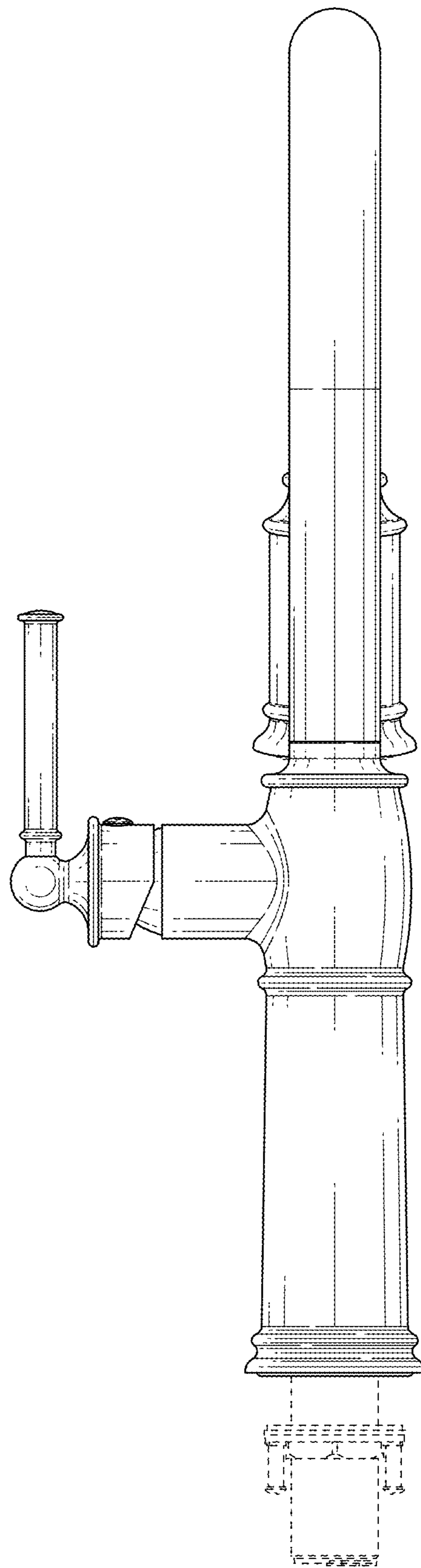


FIG. 3

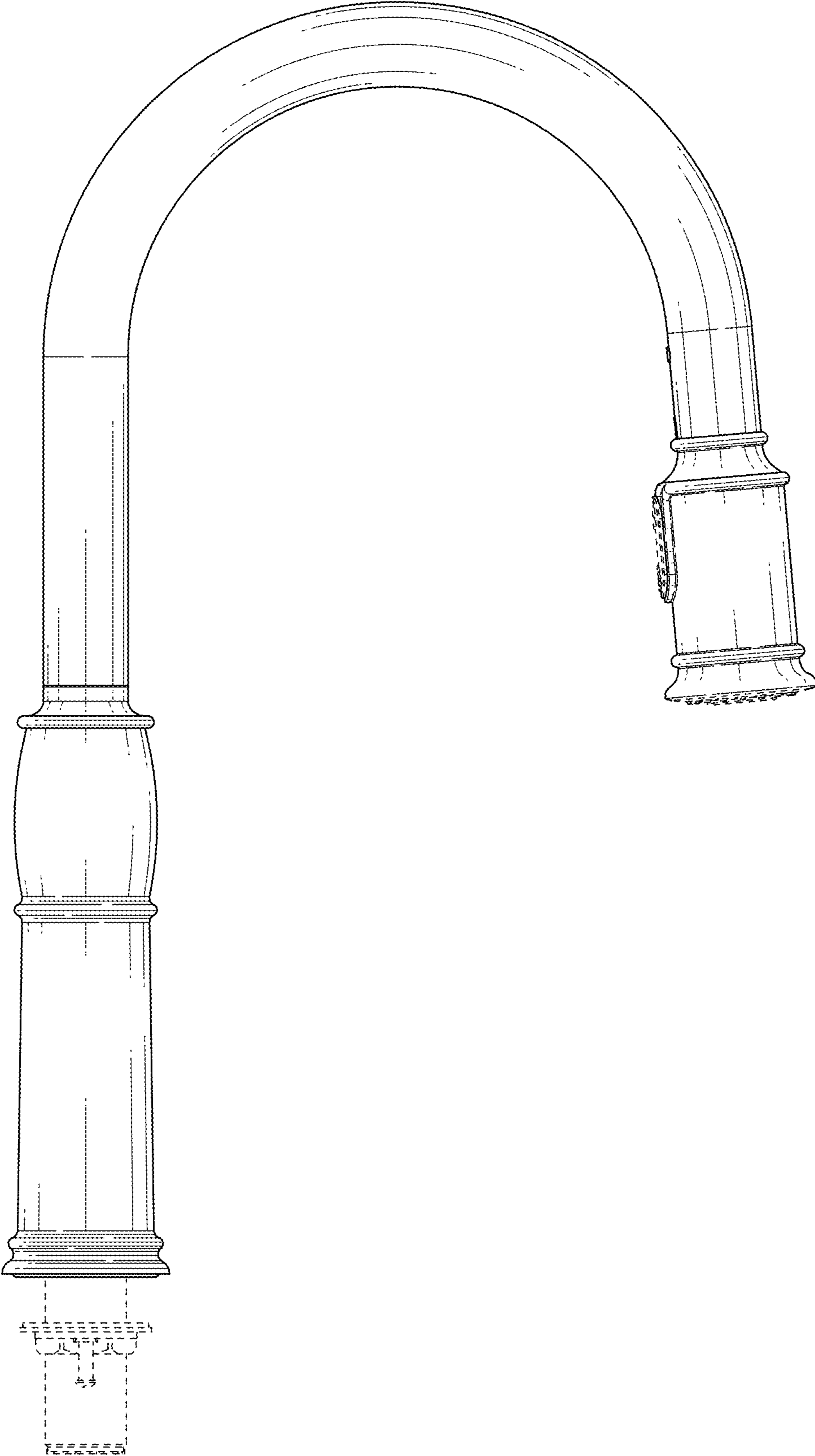


FIG. 4

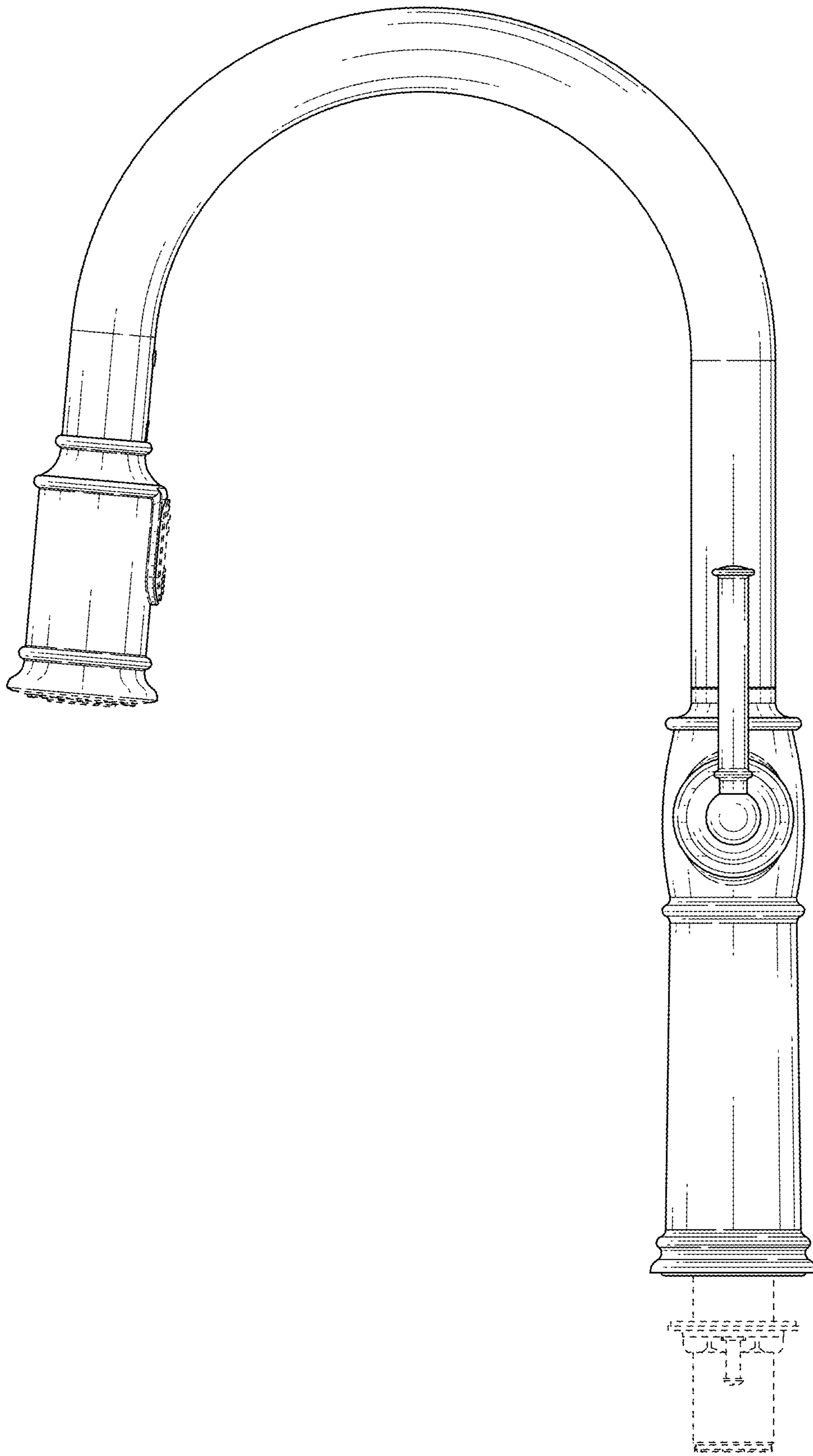


FIG. 5

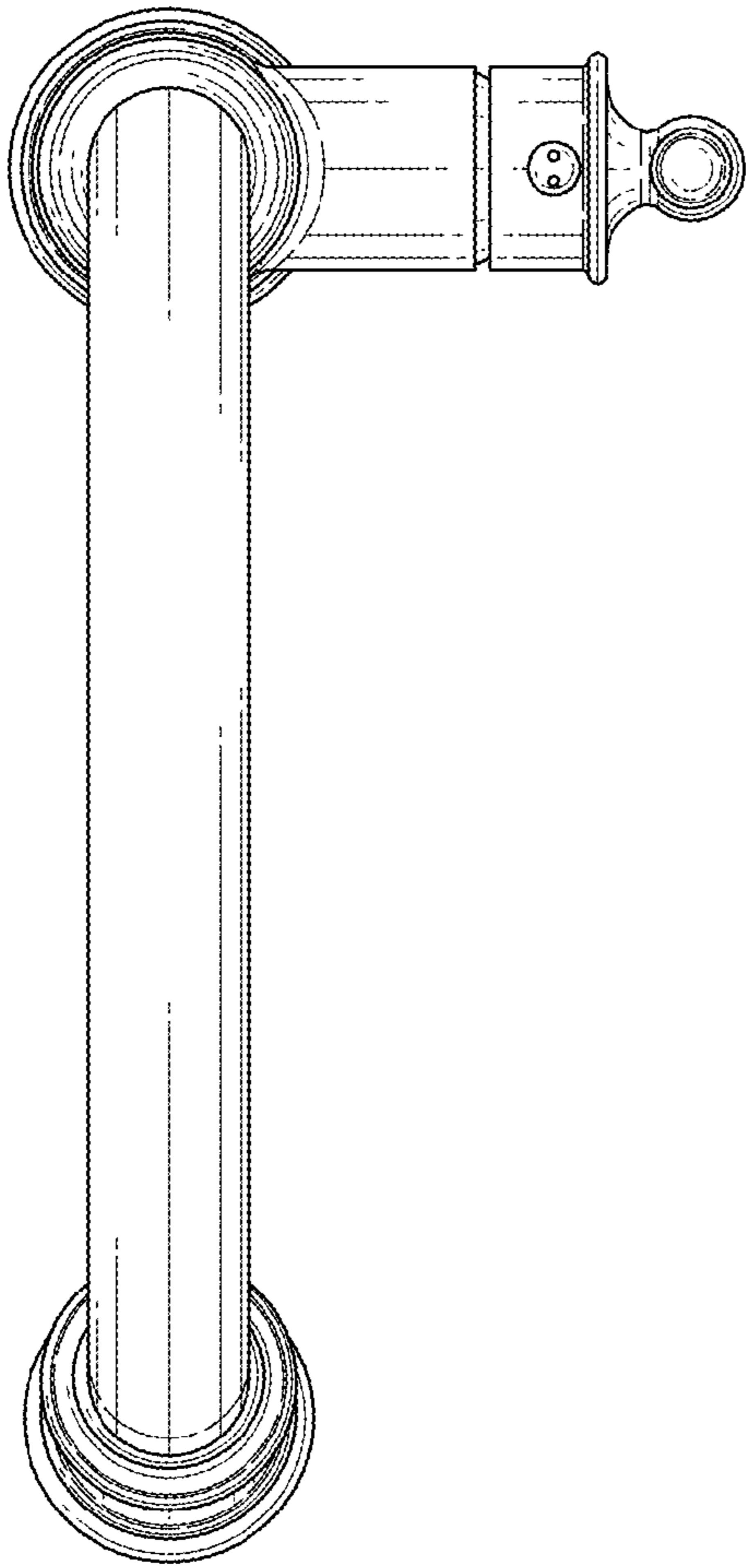


FIG. 6

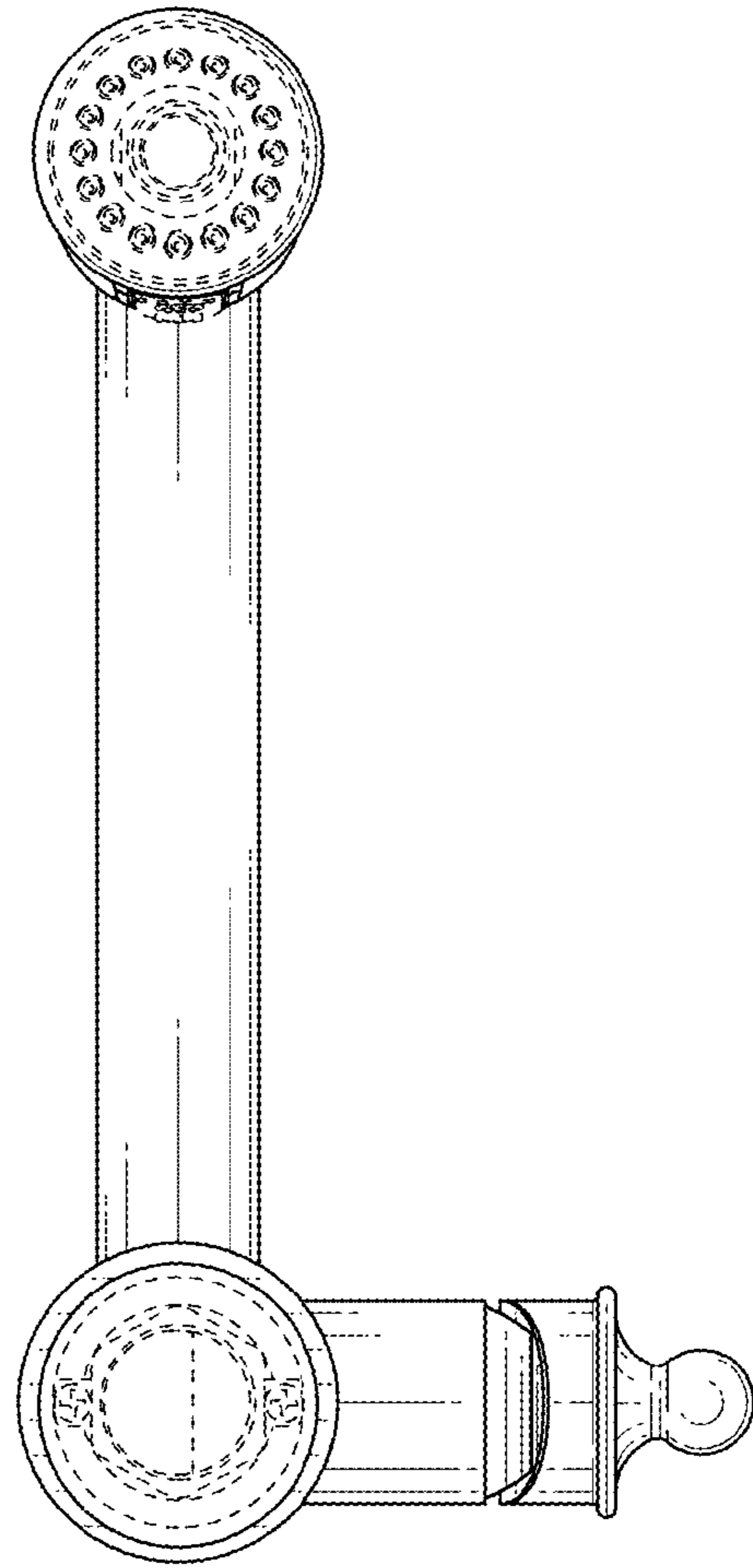


FIG. 7

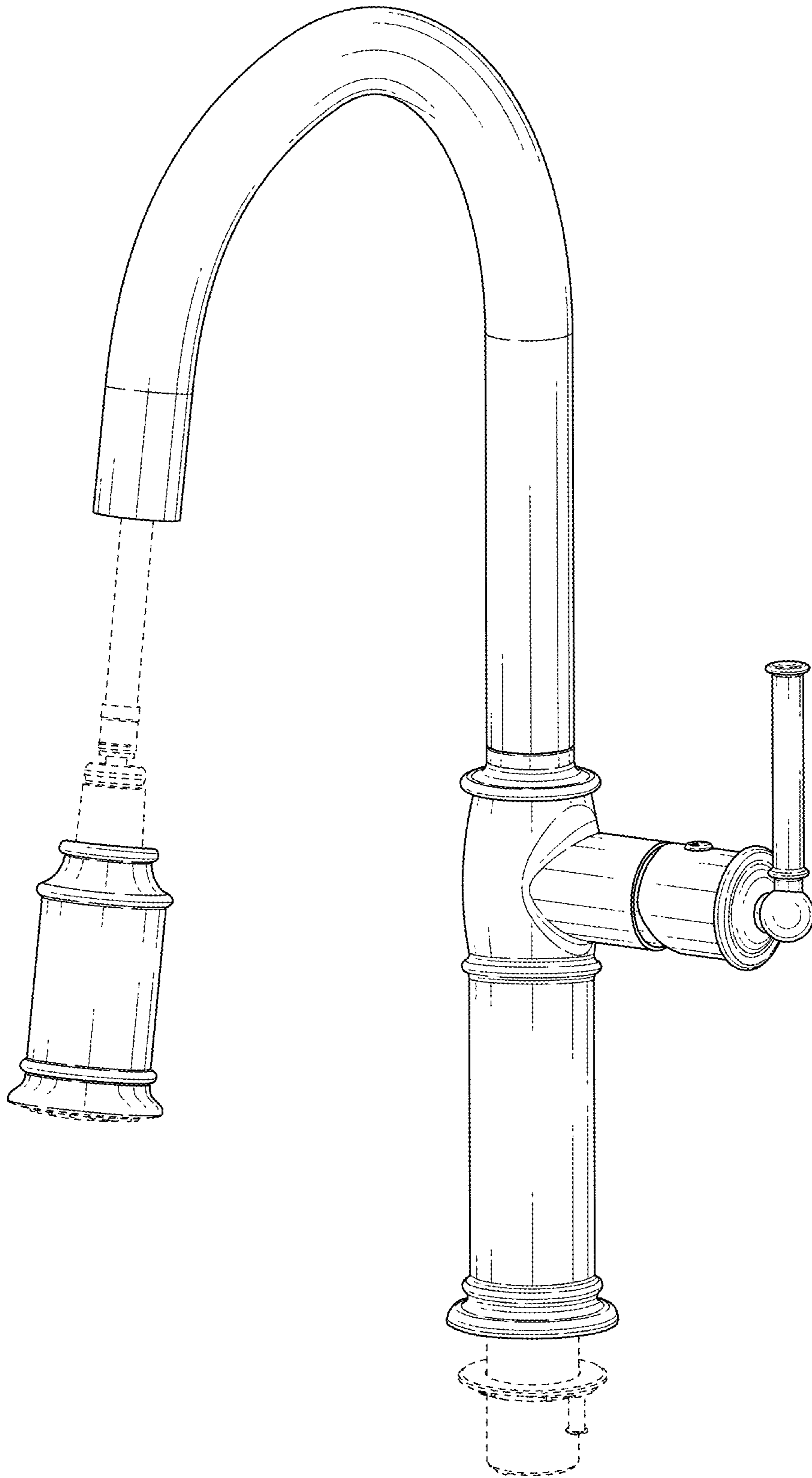


FIG. 8