

US00D934388S

(12) **United States Design Patent** (10) **Patent No.:** **US D934,388 S**  
**Levi** (45) **Date of Patent:** **\*\* Oct. 26, 2021**

(54) **FAUCET**

(71) Applicant: **KRAUS USA PLUMBING LLC**, Port Washington, NY (US)

(72) Inventor: **Russell Levi**, Port Washington, NY (US)

(73) Assignee: **KRAUS USA PLUMBING LLC**, Port Washington, NY (US)

(\*\*) Term: **15 Years**

(21) Appl. No.: **29/773,009**

(22) Filed: **Mar. 5, 2021**

**Related U.S. Application Data**

(62) Division of application No. 29/701,574, filed on Aug. 13, 2019, now Pat. No. Des. 914,144.

(51) **LOC (13) Cl.** ..... **23-01**

(52) **U.S. Cl.**  
USPC ..... **D23/238**

(58) **Field of Classification Search**  
USPC ..... D23/238, 239, 240, 241, 242, 243, 249, D23/250, 255, 256, 257  
CPC ..... E03C 1/04; E03C 1/0401; E03C 1/0402; E03C 1/0404; E03C 1/0405; E03C 1/0412; Y10T 137/9464  
See application file for complete search history.

(56) **References Cited**

**U.S. PATENT DOCUMENTS**

D686,300 S	*	7/2013	Fritz	.....	D23/238
D806,832 S	*	1/2018	Schoenherr	.....	D23/238
D807,476 S	*	1/2018	Haug	.....	D23/238
D835,237 S	*	12/2018	Ziemann	.....	D23/238
D835,238 S	*	12/2018	Ziemann	.....	D23/238

D869,610 S	*	12/2019	Garland	.....	D23/238
D870,852 S	*	12/2019	Eads	.....	D23/238
D871,547 S	*	12/2019	Eads	.....	D23/238
D873,380 S	*	1/2020	Judge	.....	D23/238
D913,433 S	*	3/2021	Ao	.....	D23/238
D914,144 S	*	3/2021	Levi	.....	D23/238
D914,847 S	*	3/2021	Zhang	.....	D23/238
D918,344 S	*	5/2021	Zhu	.....	D23/238

**OTHER PUBLICATIONS**

Sellette Single Handle Kitchen Bar Faucet in Spot Free Stainless Steel [Jun. 22, 2021] found online [Jun. 22, 2021]—<https://www.kraususa.com/kraus-kpf-1681ch-single-handle-kitchen-bar-faucet-in-chrome.html>.\*

\* cited by examiner

*Primary Examiner* — John A Voytek

(74) *Attorney, Agent, or Firm* — Nirav D. Parikh; Edgar A. Zarins

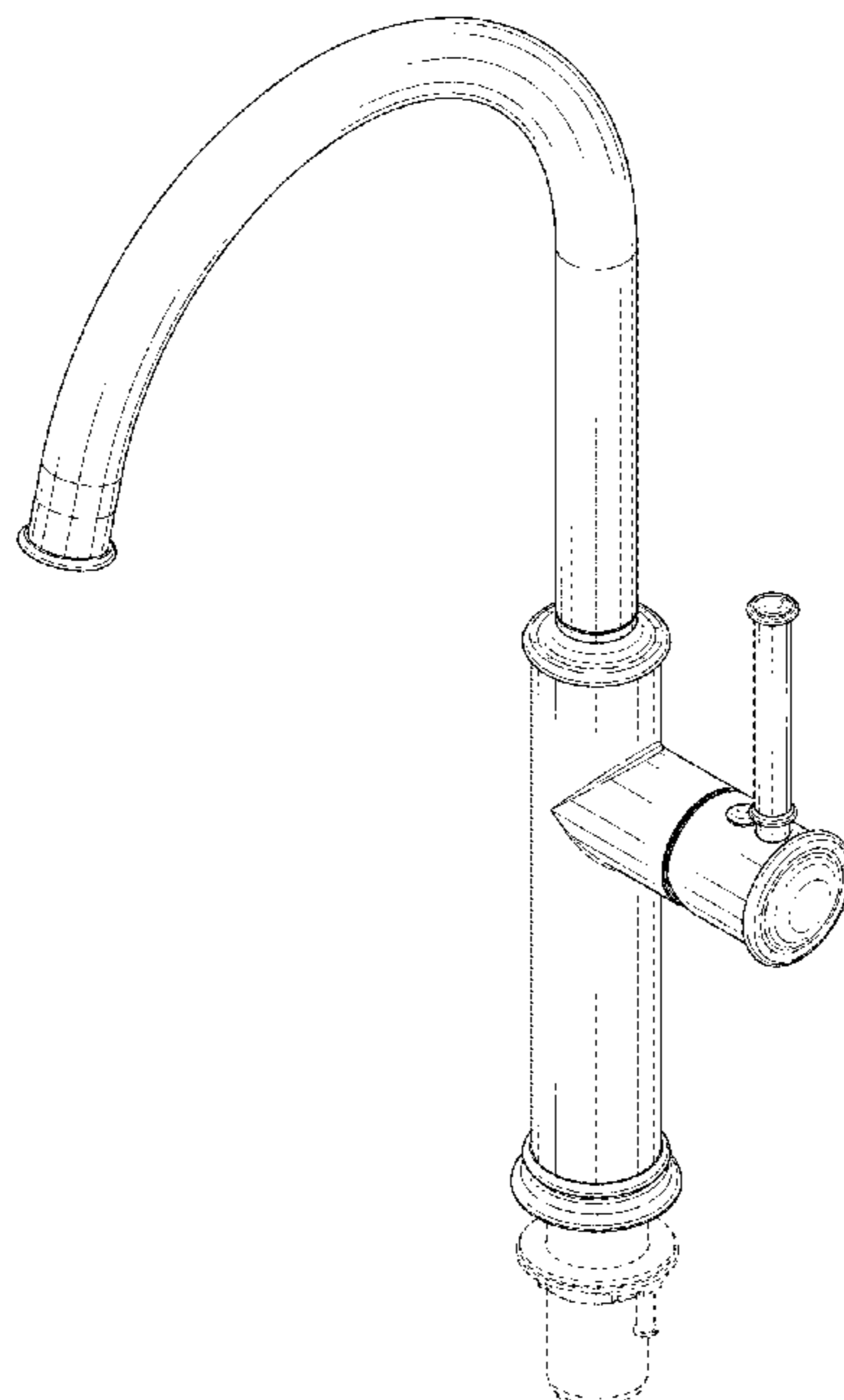
(57) **CLAIM**

The ornamental design for a faucet, as shown and described.

**DESCRIPTION**

FIG. 1 is a front perspective view of a faucet in accordance with the present design;  
FIG. 2 is a front elevational view thereof;  
FIG. 3 is a rear elevational view thereof;  
FIG. 4 is a left side elevational view thereof;  
FIG. 5 is a right side elevational view thereof;  
FIG. 6 is a top plan view thereof; and,  
FIG. 7 is a bottom plan view thereof.  
The broken lines shown are included for the purpose of illustrating a portion of the faucet that form no part of the claimed design.

**1 Claim, 5 Drawing Sheets**



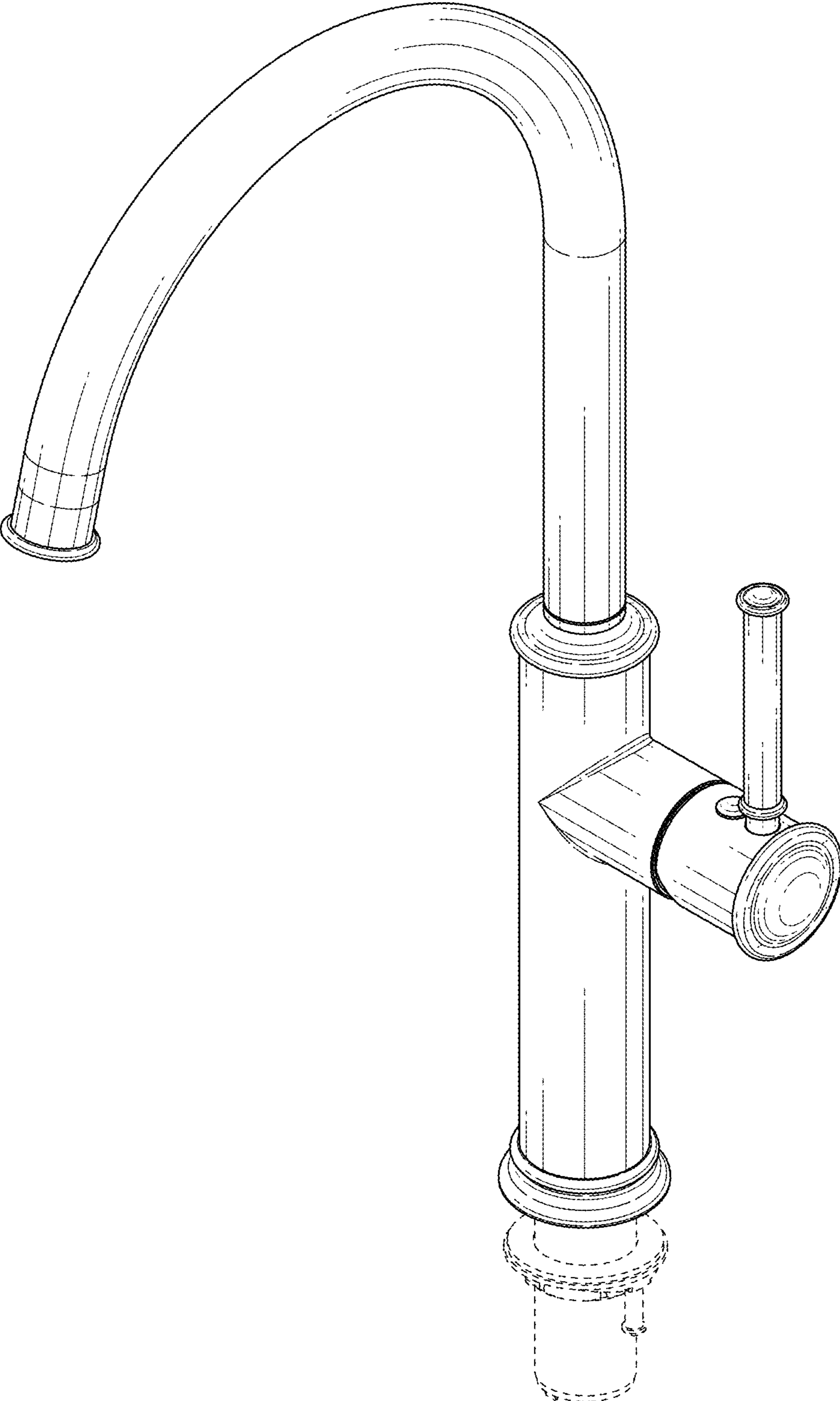


FIG. 1

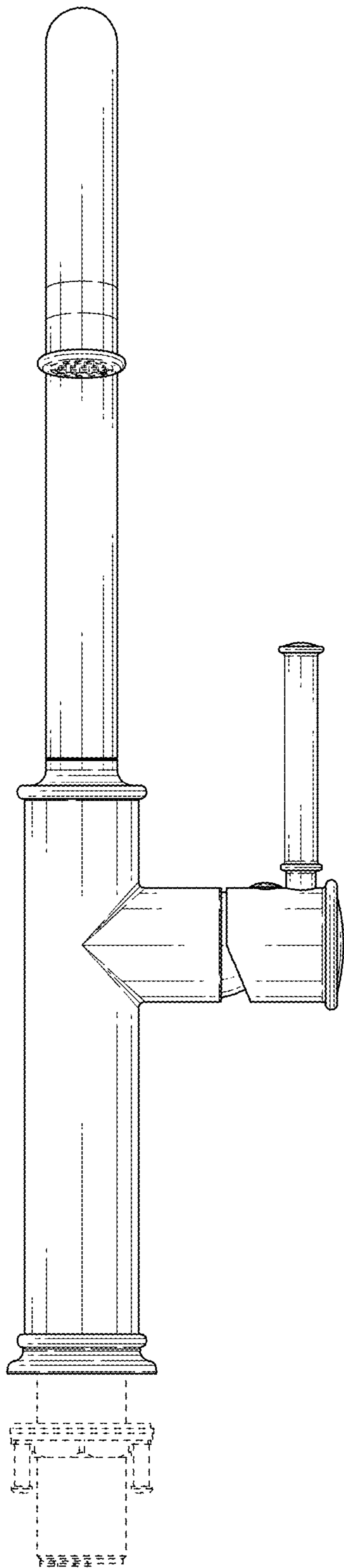


FIG. 2

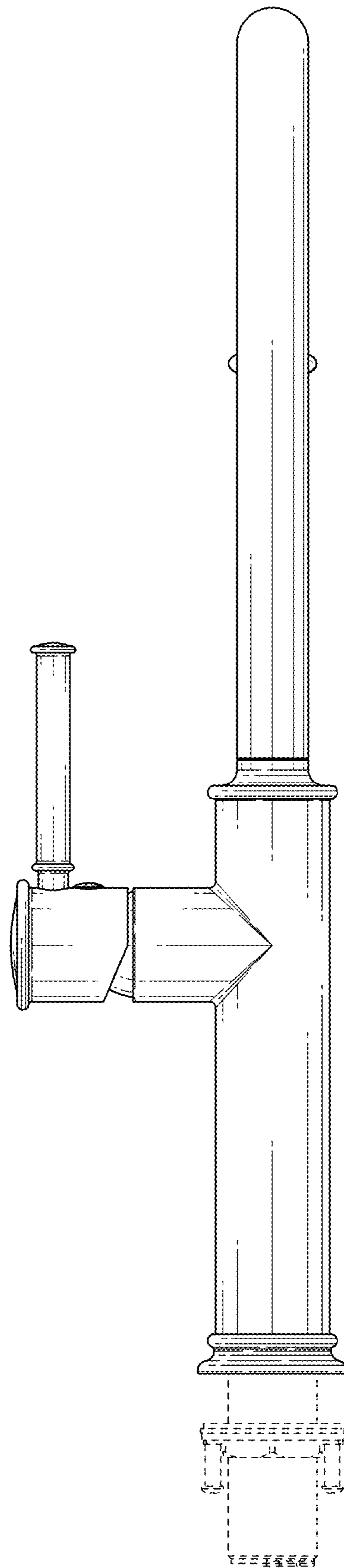


FIG. 3

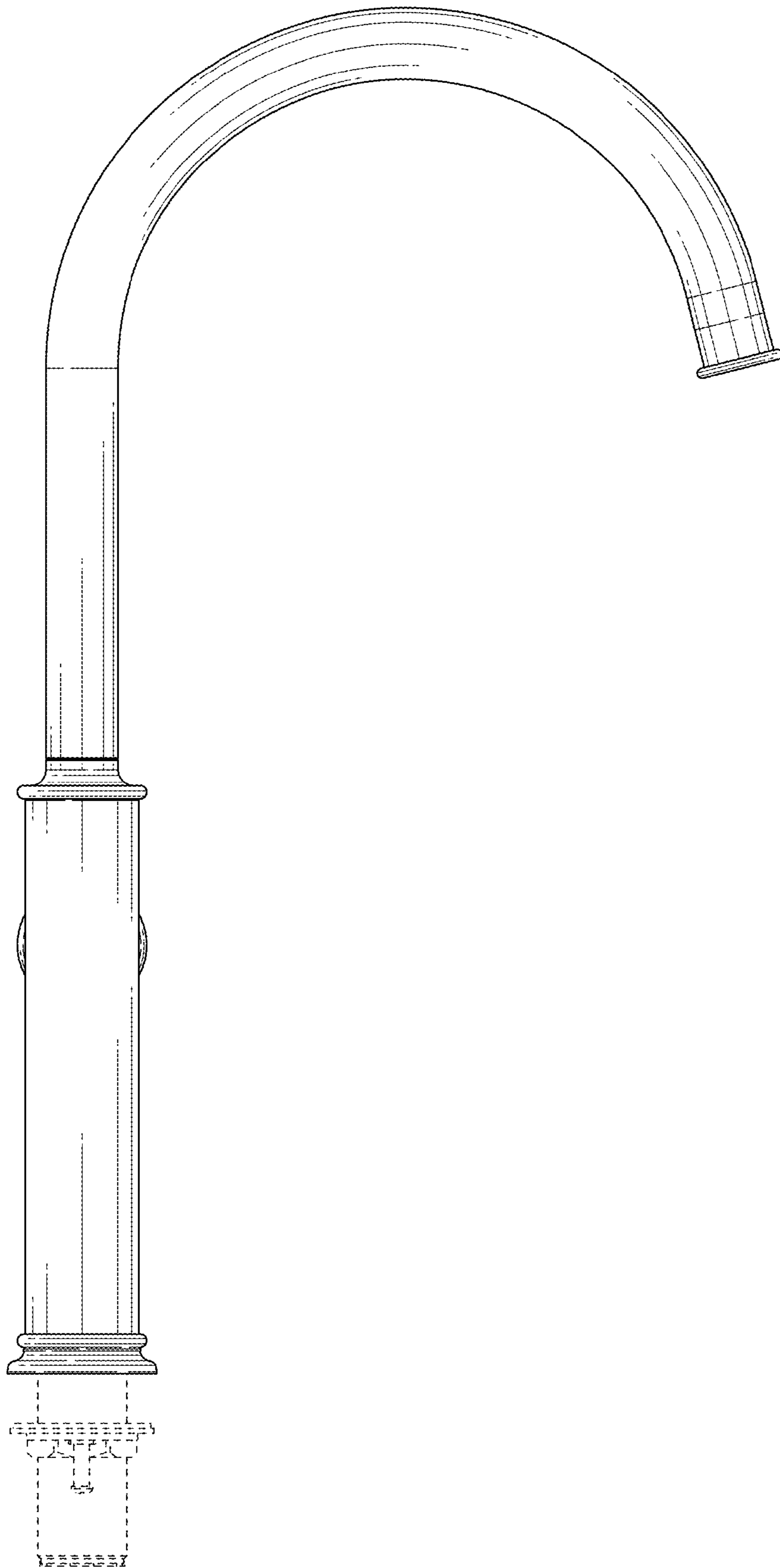


FIG. 4

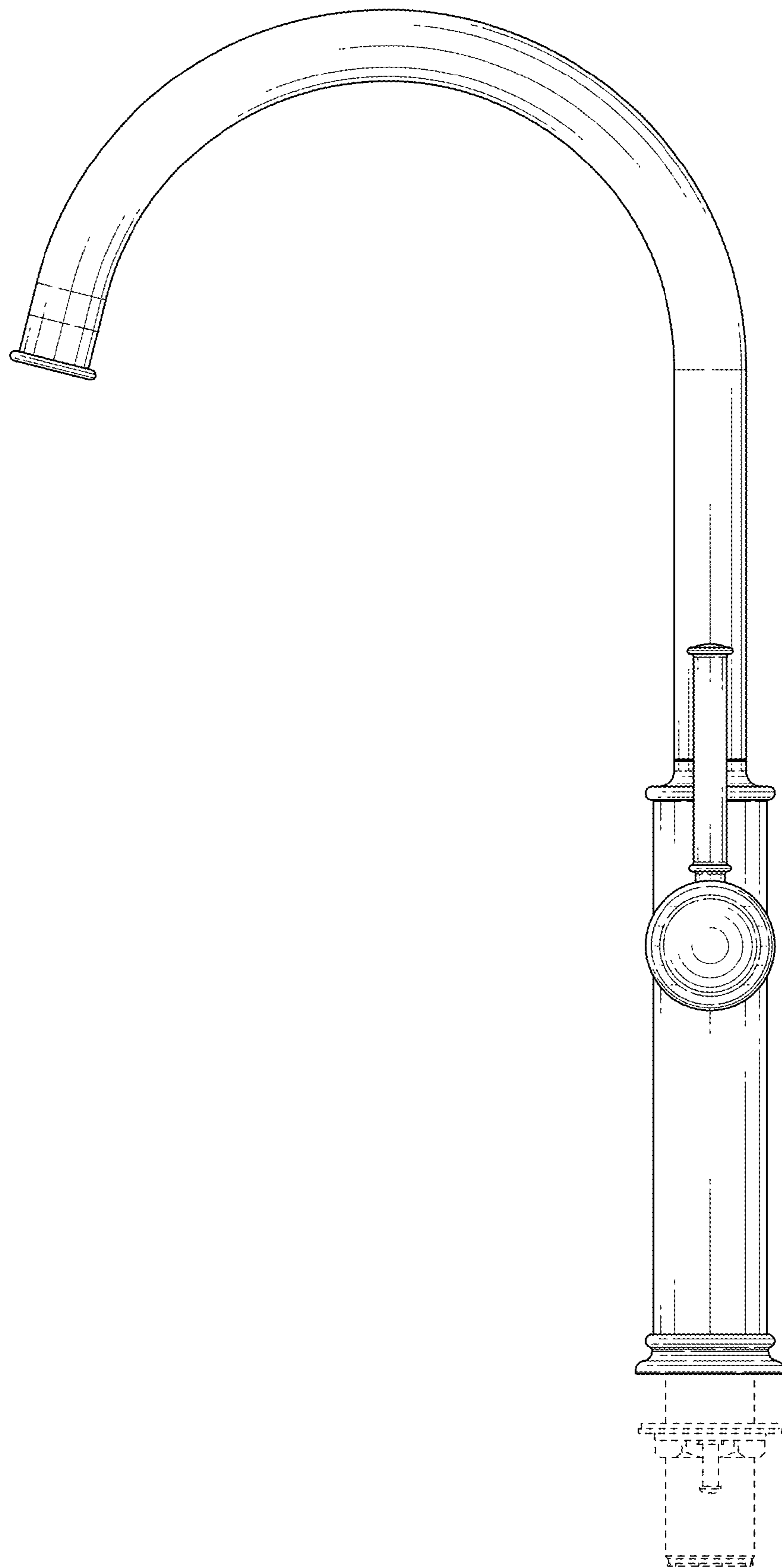


FIG. 5

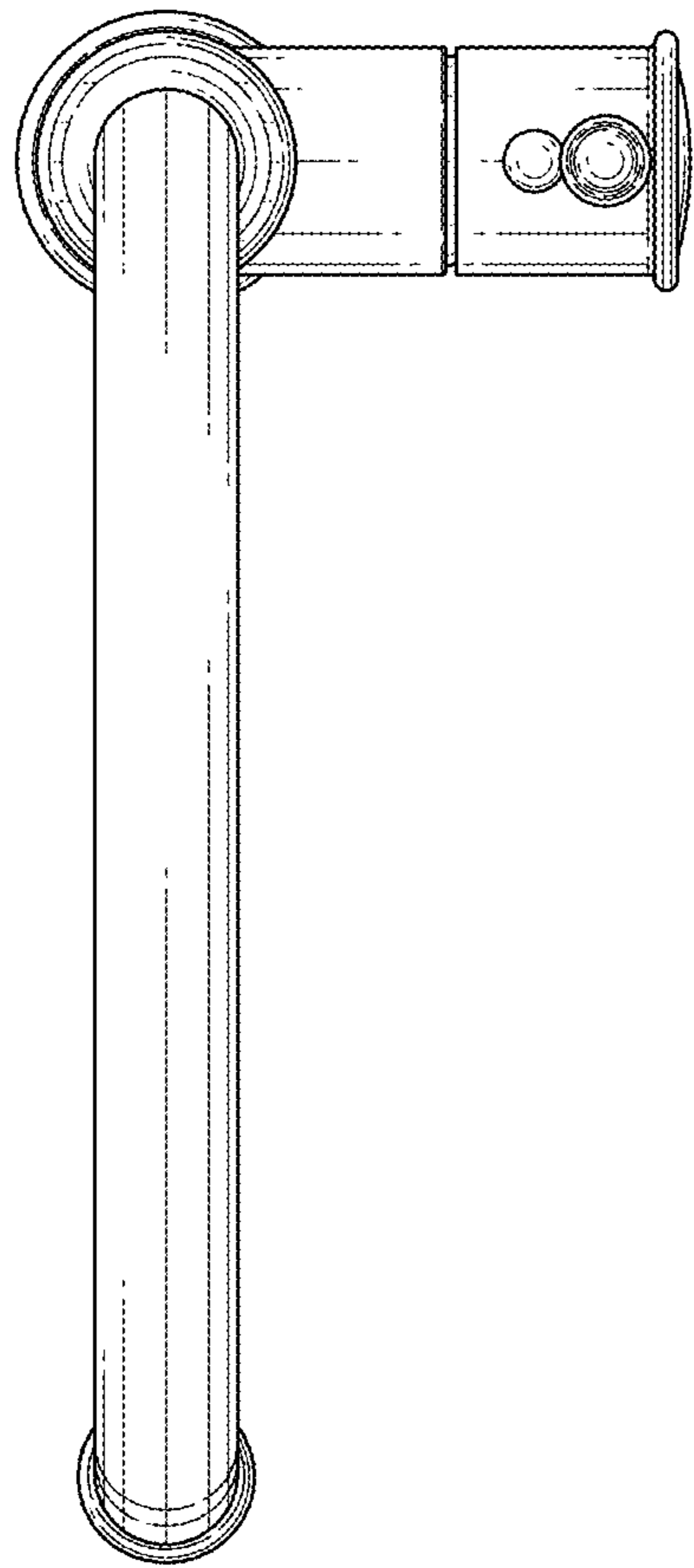


FIG. 6

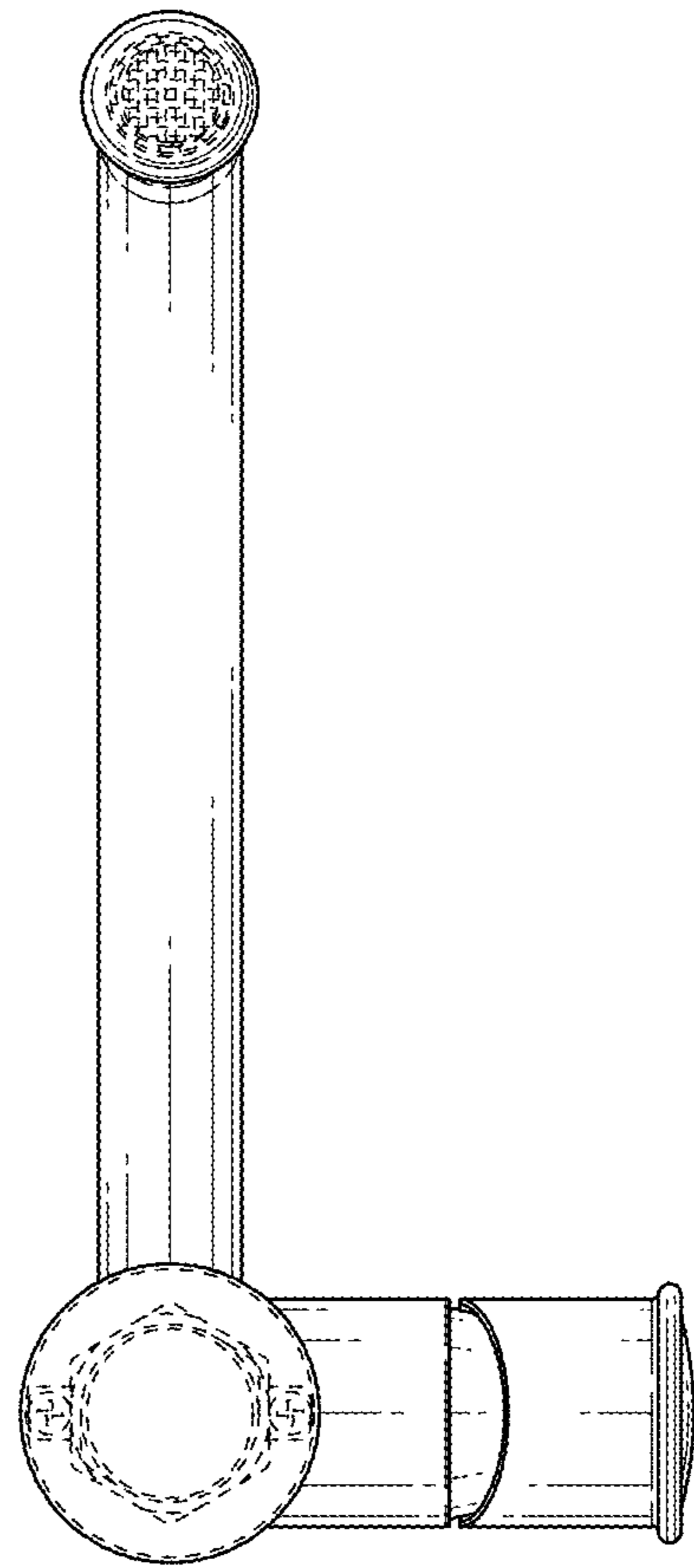


FIG. 7