



US00D934386S

(12) **United States Design Patent** (10) **Patent No.:** **US D934,386 S**
Pan (45) **Date of Patent:** **** Oct. 26, 2021**

(54) **FAUCET**

FOREIGN PATENT DOCUMENTS

(71) Applicant: **Sheng Tai Brassware Co., Ltd.**,
Changhua Hsien (TW)

CA 183176 * 8/2018

(72) Inventor: **Chin-Chi Pan**, Changhua Hsien (TW)

OTHER PUBLICATIONS

(73) Assignee: **Sheng Tai Brassware Co., Ltd.**,
Changhua Hsien (TW)

Kitchen Sink Faucet with Magnetic Docking Sprayer, first available Sep. 30, 2020[online], [site visited Jul. 27, 2021]. Available from internet, URL:<<https://www.amazon.com/OUEN-Kitchen-Magnetic-Fingerprint-Resistant/dp/B08M3CVPJX>> (Year: 2020).*

(**) Term: **15 Years**

* cited by examiner

(21) Appl. No.: **29/714,792**

(22) Filed: **Nov. 26, 2019**

Primary Examiner — Barbara Fox

(51) **LOC (13) Cl.** **23-01**

Assistant Examiner — Jamaal Rasheed

(52) **U.S. Cl.**
USPC **D23/238**

(74) *Attorney, Agent, or Firm* — Alan D. Kamrath; Karin L. Williams; Mayer & Williams PC

(58) **Field of Classification Search**
USPC D23/238–243, 249, 255, 257
CPC E03C 1/0401; E03C 1/0402; E03C 1/0404;
E03C 1/0405; E03C 1/0412
See application file for complete search history.

(57) **CLAIM**

The ornamental design for a faucet, as shown and described.

(56) **References Cited**

DESCRIPTION

U.S. PATENT DOCUMENTS

D537,146 S	*	2/2007	Hanna	D23/238
D693,905 S	*	11/2013	Ke	D23/238
D800,260 S	*	10/2017	Fritz	D23/238
D873,385 S	*	1/2020	Tentler	D23/257
D876,588 S	*	2/2020	Garland	D23/238
D877,297 S	*	3/2020	Tentler	D23/238
D896,348 S	*	9/2020	Zhang	D23/238
D914,145 S	*	3/2021	Levi	D23/238
D914,156 S	*	3/2021	Zhu	D23/249
D921,843 S	*	6/2021	Eads	D23/238

FIG. 1 is a perspective view of a faucet, showing my new design;

FIG. 2 is a front view thereof;

FIG. 3 is a rear view thereof;

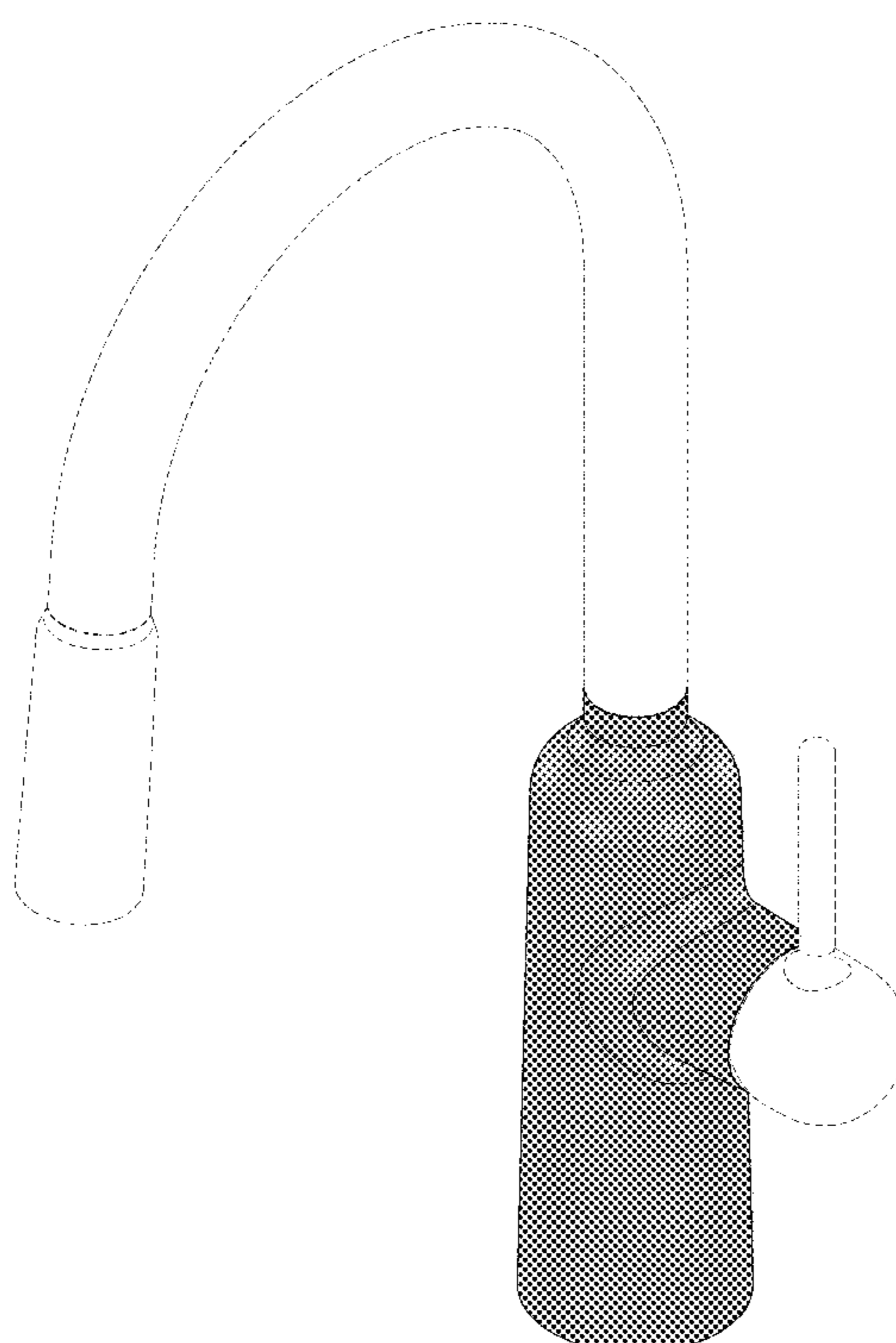
FIG. 4 is a left side view thereof;

FIG. 5 is a right side view thereof; and,

FIG. 6 is a top view thereof.

The broken lines depict environmental subject matter, are for illustration only and form no part of the claimed design.

1 Claim, 6 Drawing Sheets



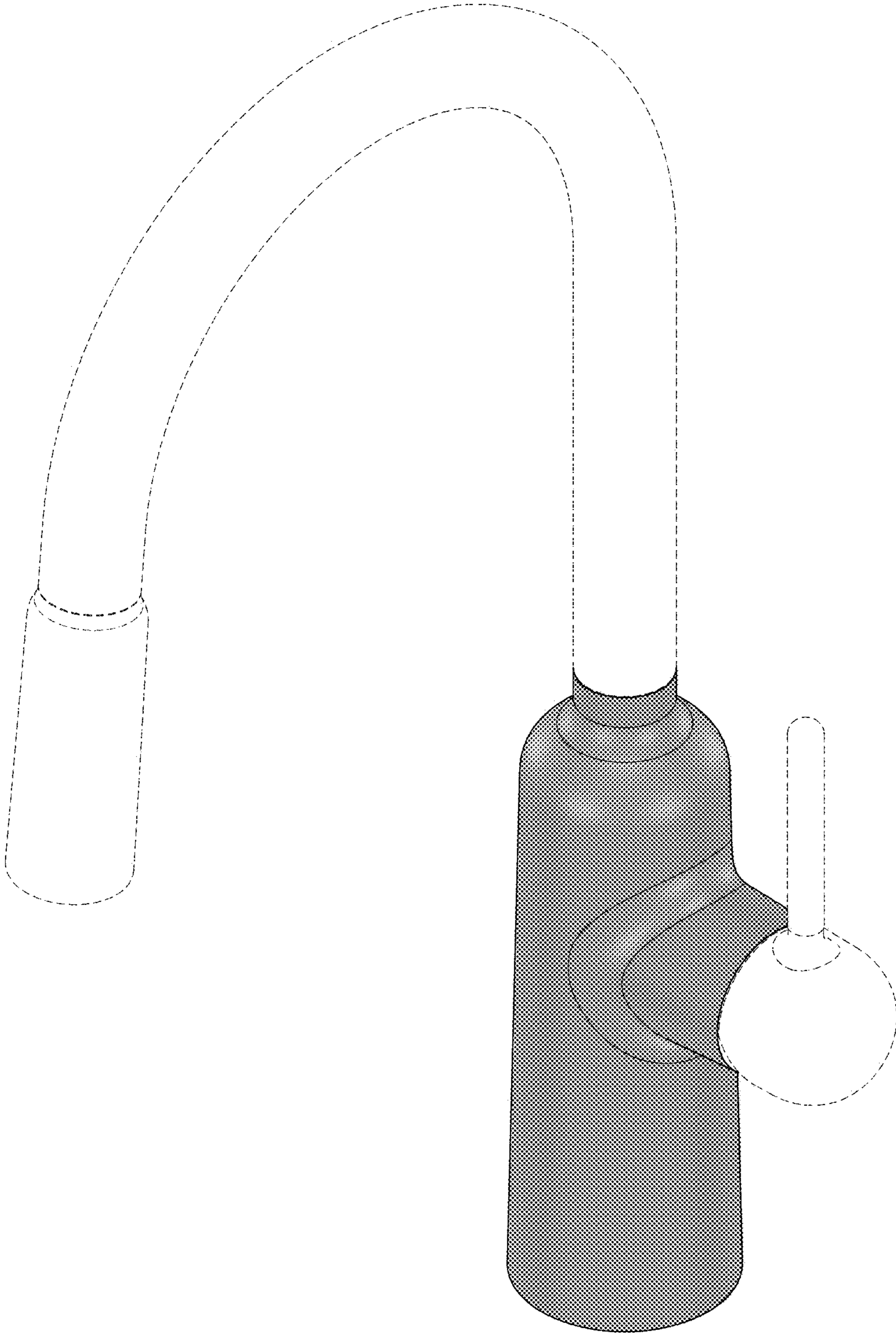


FIG.1

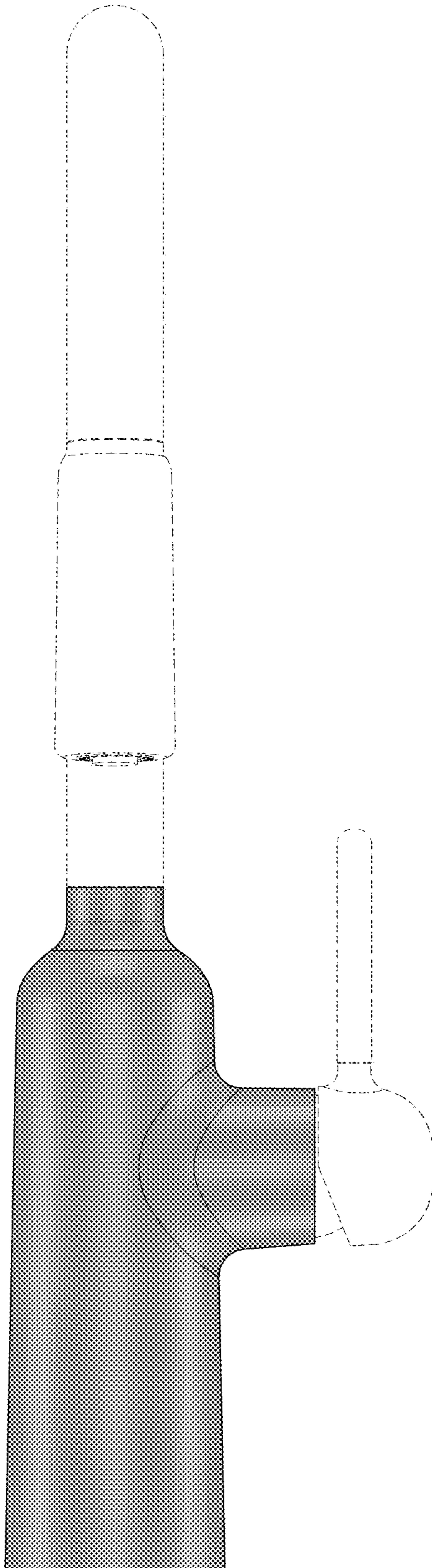


FIG.2

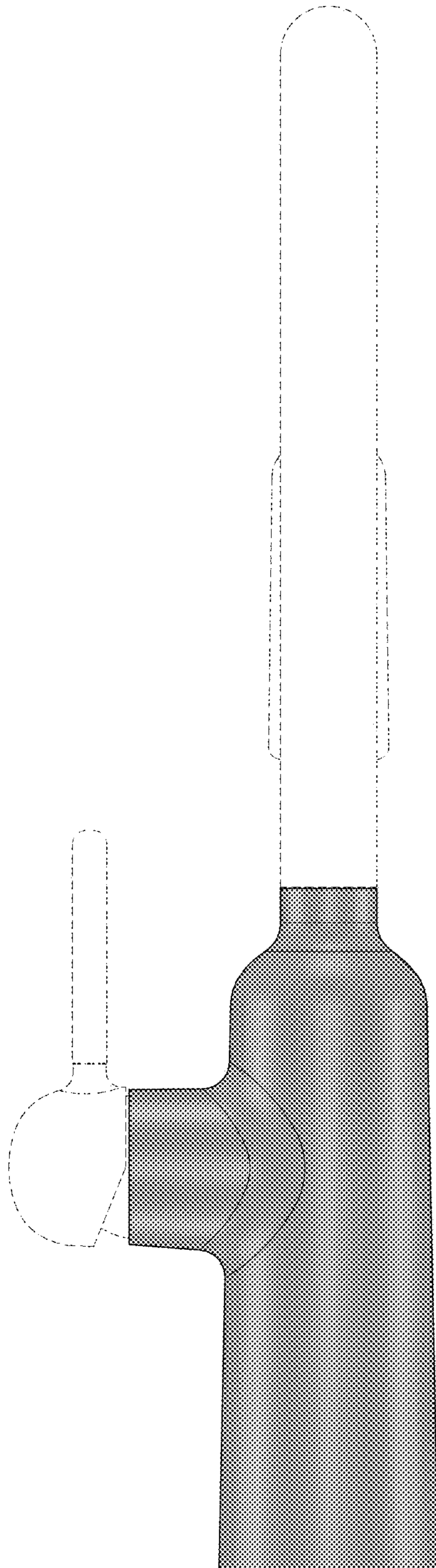


FIG.3

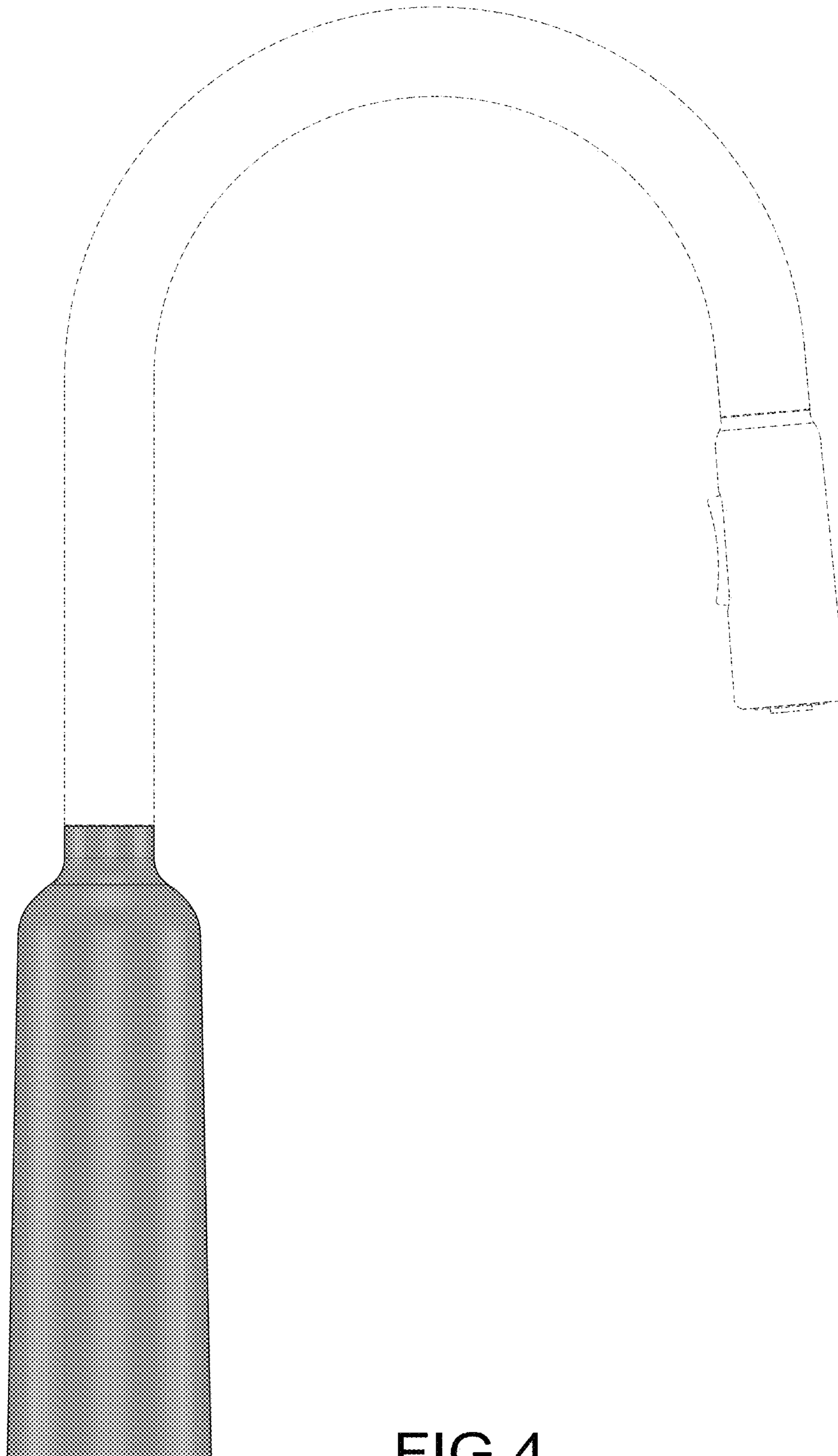


FIG. 4

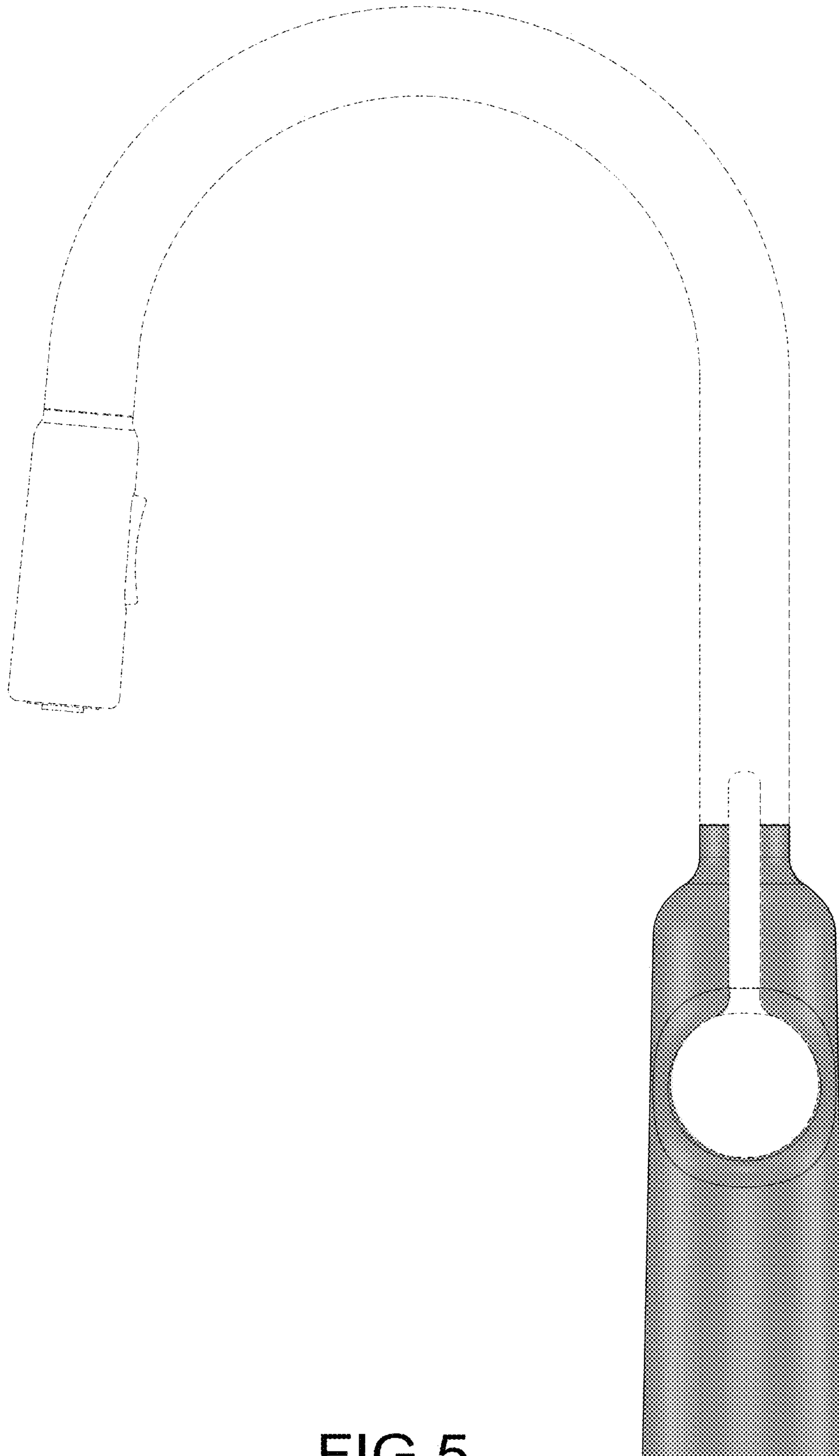


FIG.5

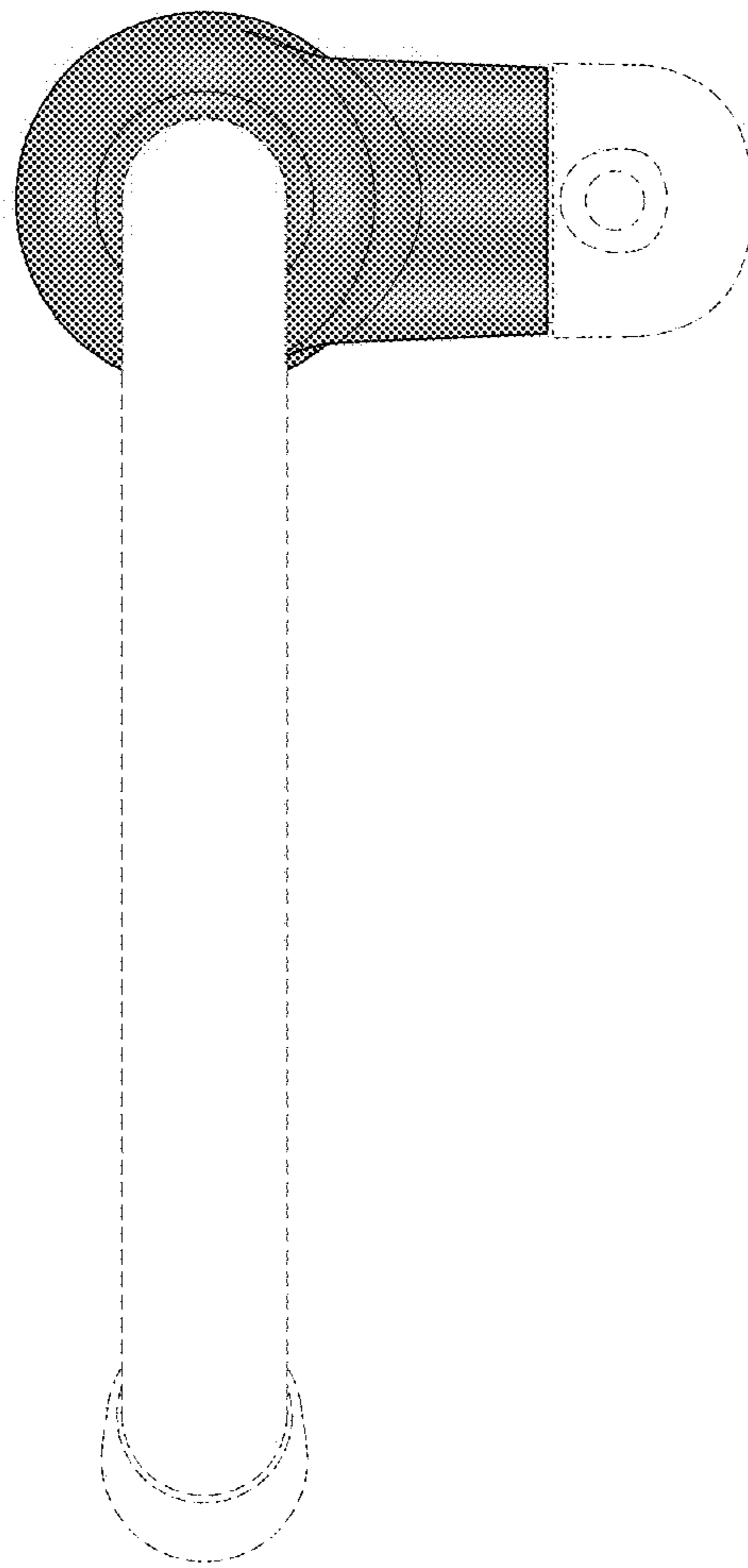


FIG.6