



US00D934385S

(12) **United States Design Patent**  
**Stoler**

(10) **Patent No.:** **US D934,385 S**

(45) **Date of Patent:** **\*\* Oct. 26, 2021**

(54) **FAUCET SPRAYHEAD**

(71) Applicant: **DELTA FAUCET COMPANY,**  
Indianapolis, IN (US)

(72) Inventor: **Benjamin Stoler,** Carmel, IN (US)

(73) Assignee: **DELTA FAUCET COMPANY,**  
Indianapolis, IN (US)

(\*\*) Term: **15 Years**

(21) Appl. No.: **29/721,453**

(22) Filed: **Jan. 21, 2020**

(51) **LOC (13) Cl.** ..... **23-01**

(52) **U.S. Cl.**  
USPC ..... **D23/226**

(58) **Field of Classification Search**  
USPC ..... D23/213, 223, 226, 228, 229, 230, 238,  
D23/239, 240, 241, 249  
CPC ..... B05B 1/16; B05B 1/1618; B05B 1/18;  
B05B 1/185; E03C 1/0405; E03C 1/06;  
E03C 1/063; E03C 1/066; E03C 1/084;  
E03C 2001/0415  
See application file for complete search history.

(56) **References Cited**

**U.S. PATENT DOCUMENTS**

D802,091 S	*	11/2017	Bahler	.....	D23/226
D849,202 S	*	5/2019	Zhang	.....	D23/238
D860,398 S	*	9/2019	Chen	.....	D23/238
D866,708 S	*	11/2019	Bahler	.....	D23/213
D867,525 S	*	11/2019	Eads	.....	D23/213
D868,939 S	*	12/2019	Bahler	.....	D23/238

D869,610 S	*	12/2019	Garland	.....	D23/238
D870,234 S	*	12/2019	Judge	.....	D23/213
D870,235 S	*	12/2019	Tentler	.....	D23/213
D870,845 S	*	12/2019	Eads	.....	D23/213
D873,380 S	*	1/2020	Judge	.....	D23/238
2013/0193237 A1	*	8/2013	Erickson	.....	B05B 1/14 239/548

**OTHER PUBLICATIONS**

Phylrich K181\_003, Dec. 17, 2009, Amazon, site visited Mar. 24, 2021: <https://www.amazon.com/dp/B00311TD62/> (Year: 2009).\*  
Appaso AP-K133-BN, Dec. 24, 2018, Amazon, site visited Mar. 24, 2021: <https://www.amazon.com/dp/B07MGRB9KW/> (Year: 2018).\*

\* cited by examiner

*Primary Examiner* — Jack Reickel

*Assistant Examiner* — Bobby W Jones, II

(74) *Attorney, Agent, or Firm* — Nirav D. Parikh; Edgar A. Zarins

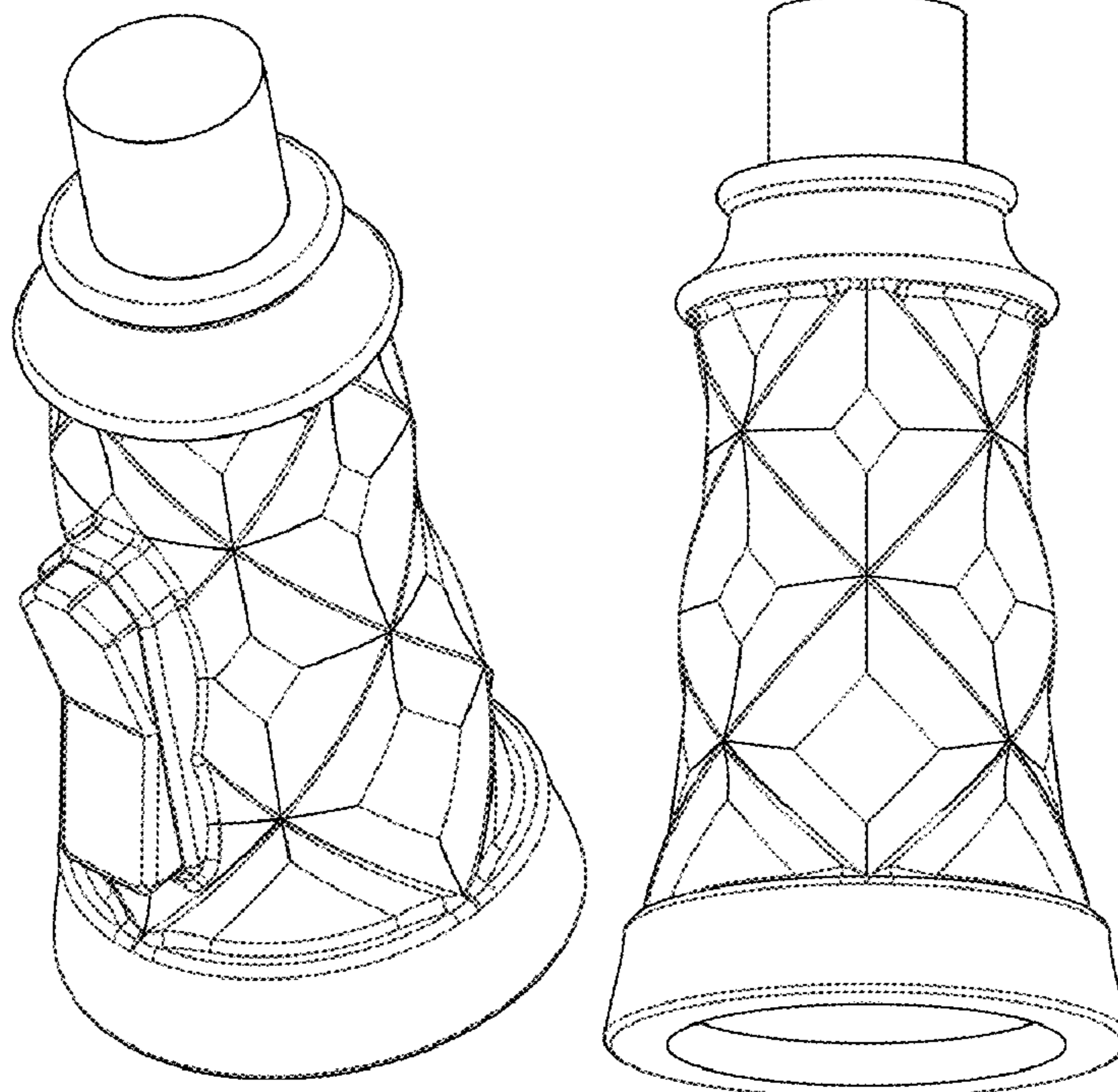
(57) **CLAIM**

The ornamental design for a faucet sprayhead, as shown and described.

**DESCRIPTION**

FIG. 1 is a front perspective view of a faucet sprayhead showing my new design;  
FIG. 2 is a rear perspective view thereof;  
FIG. 3 is another front perspective view thereof;  
FIG. 4 is a left side view thereof;  
FIG. 5 is another rear perspective view thereof;  
FIG. 6 is a right side view thereof;  
FIG. 7 is a top perspective view thereof; and,  
FIG. 8 is a bottom perspective view thereof.

**1 Claim, 4 Drawing Sheets**



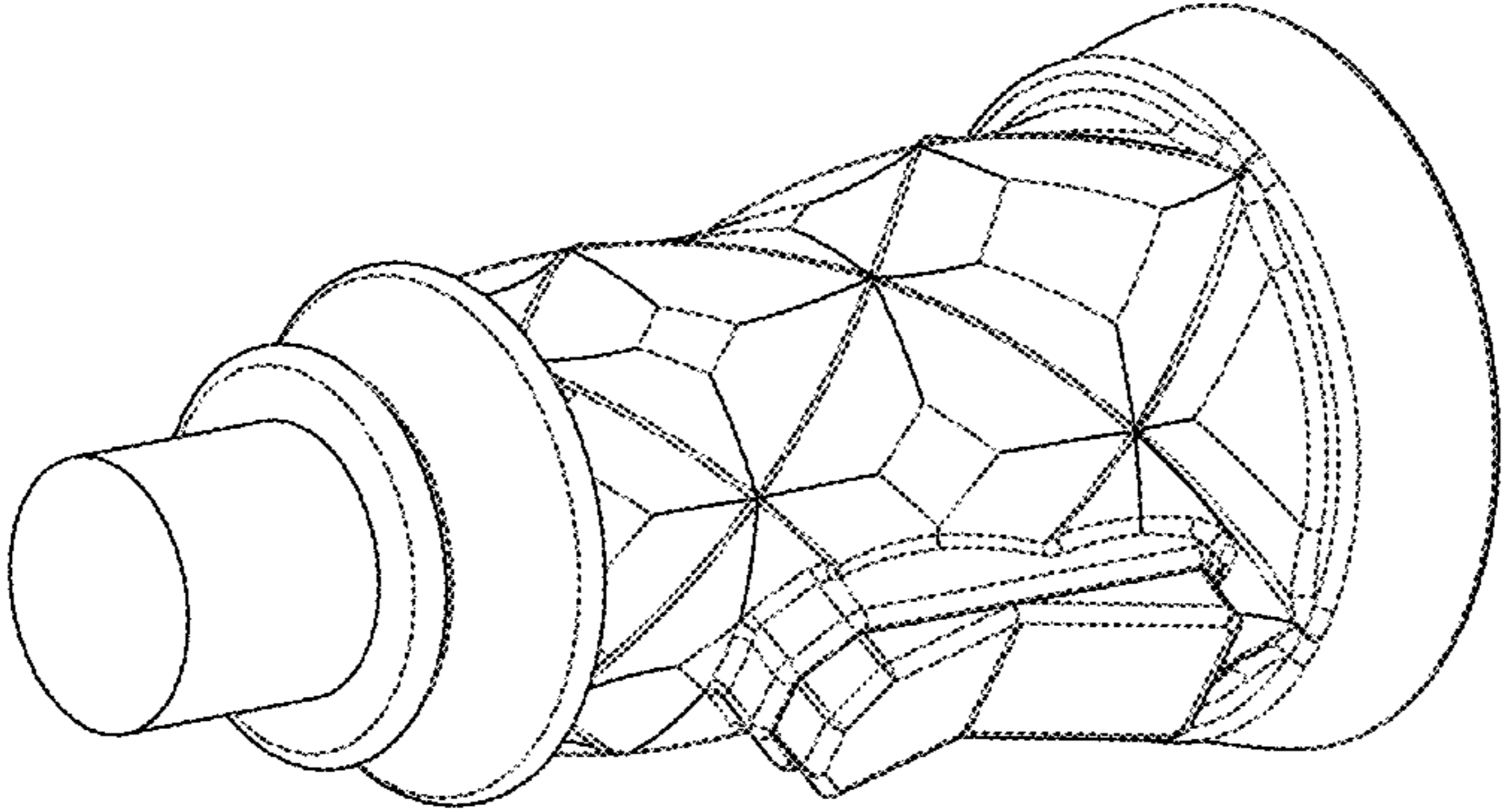


FIG - 2

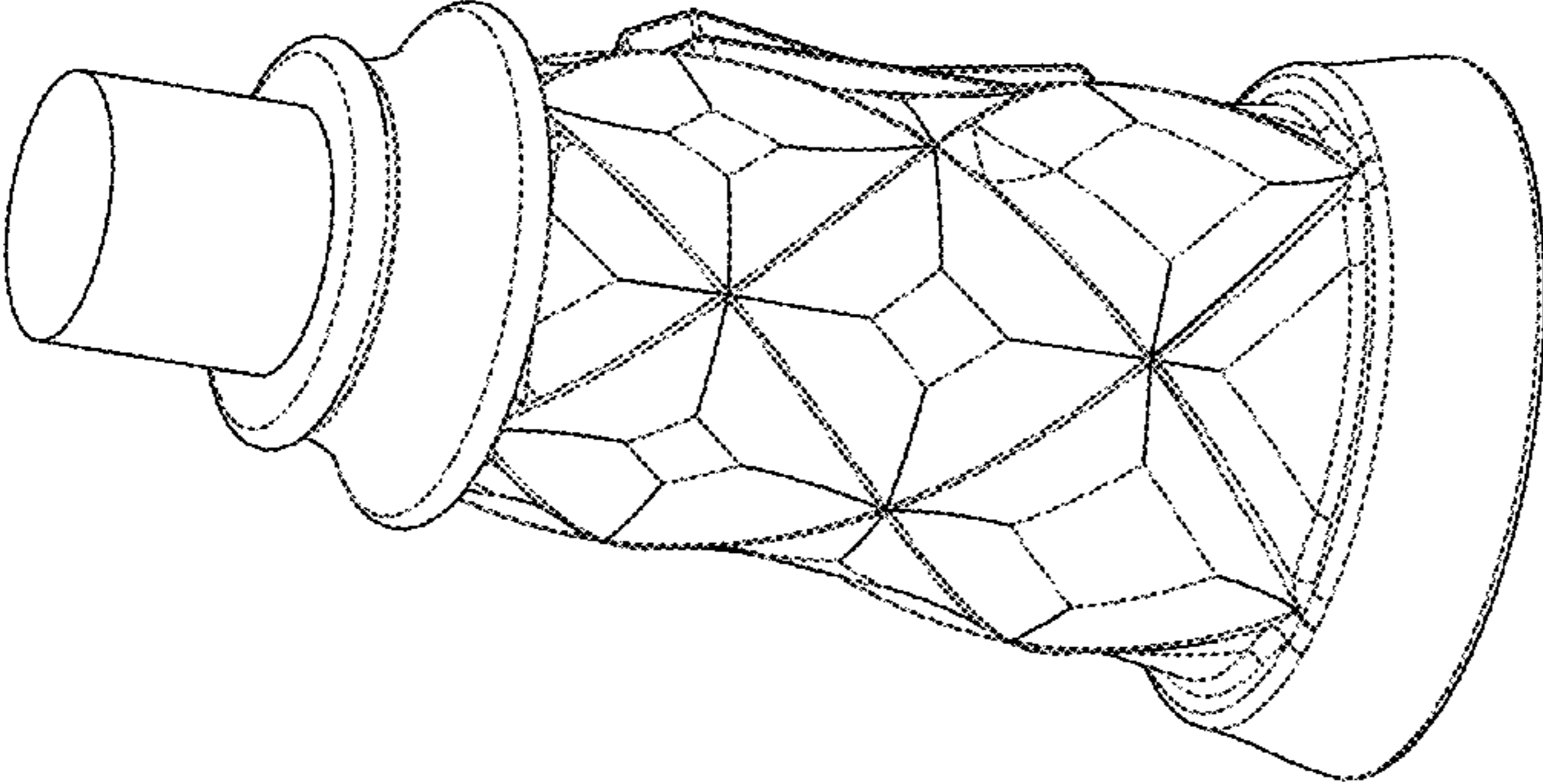


FIG - 1

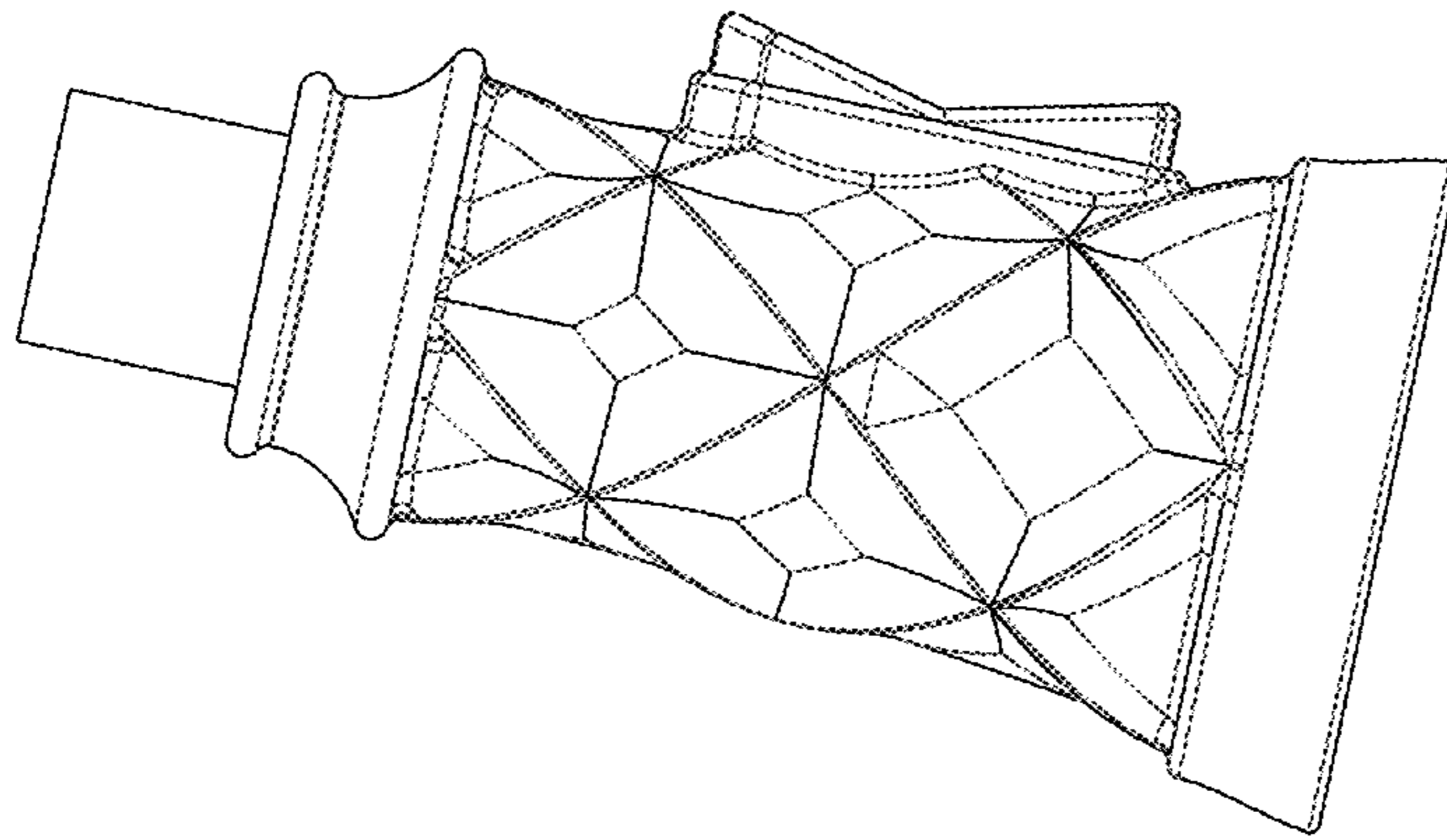


FIG - 4

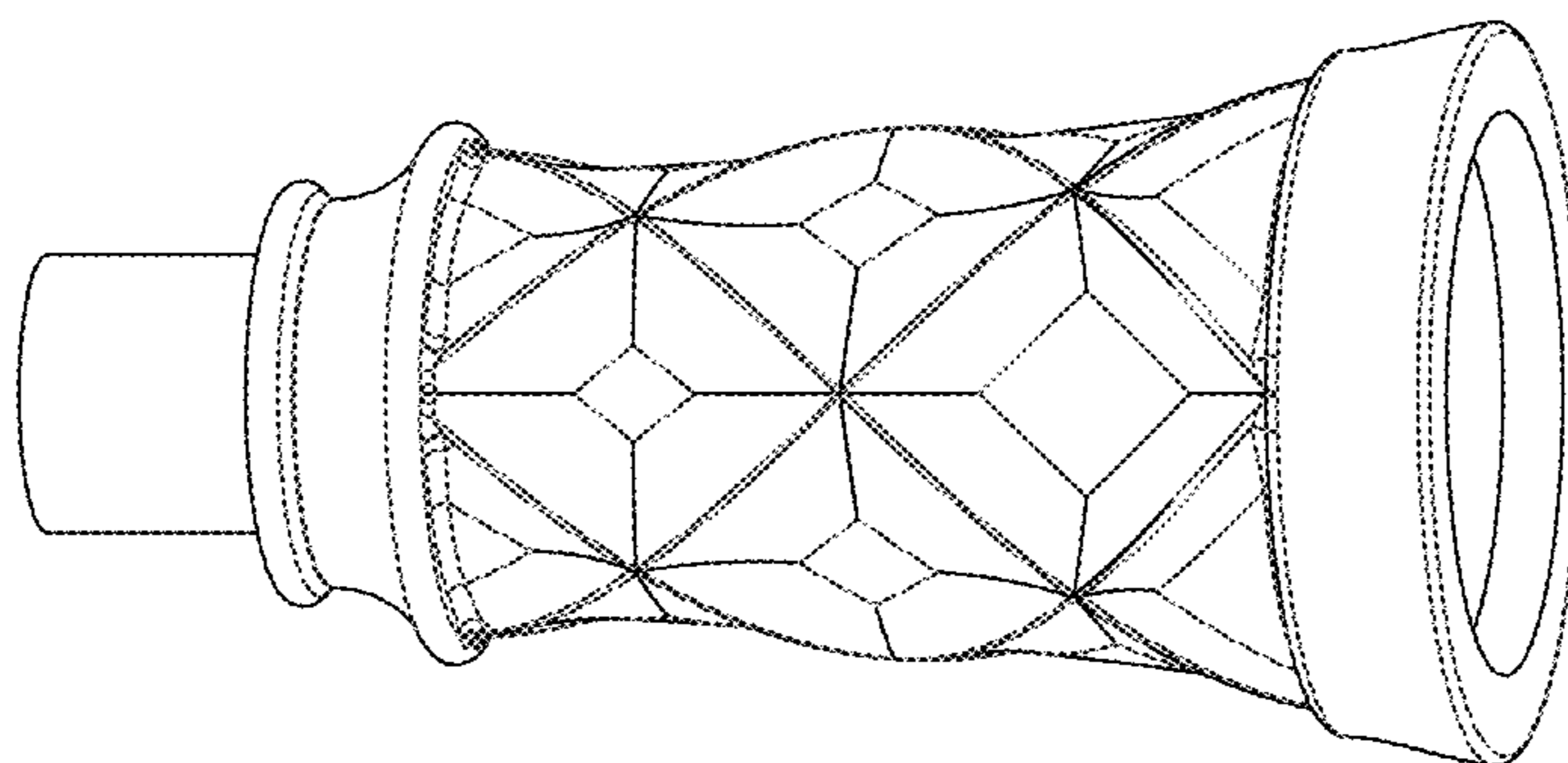


FIG - 3

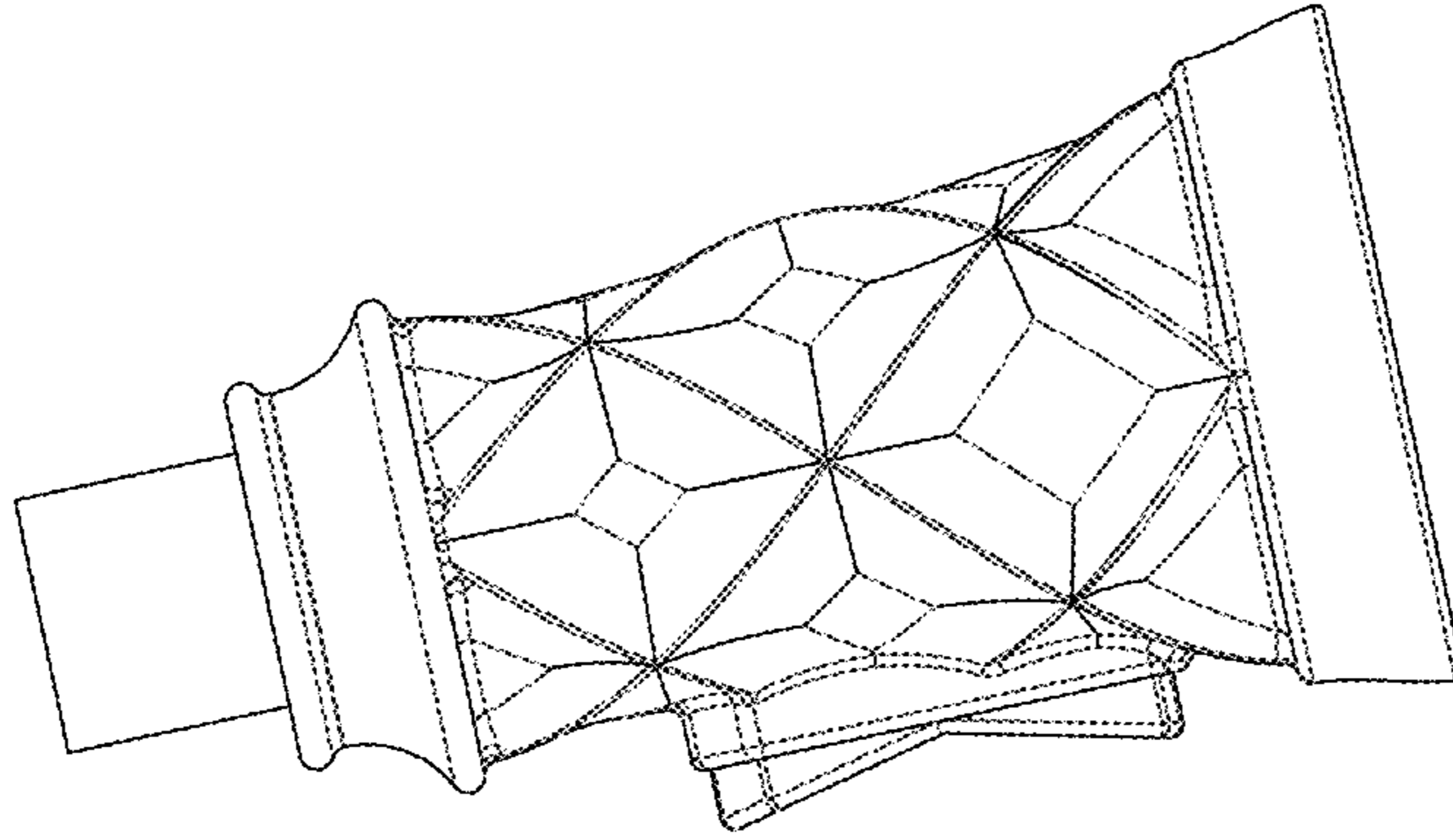


FIG - 6

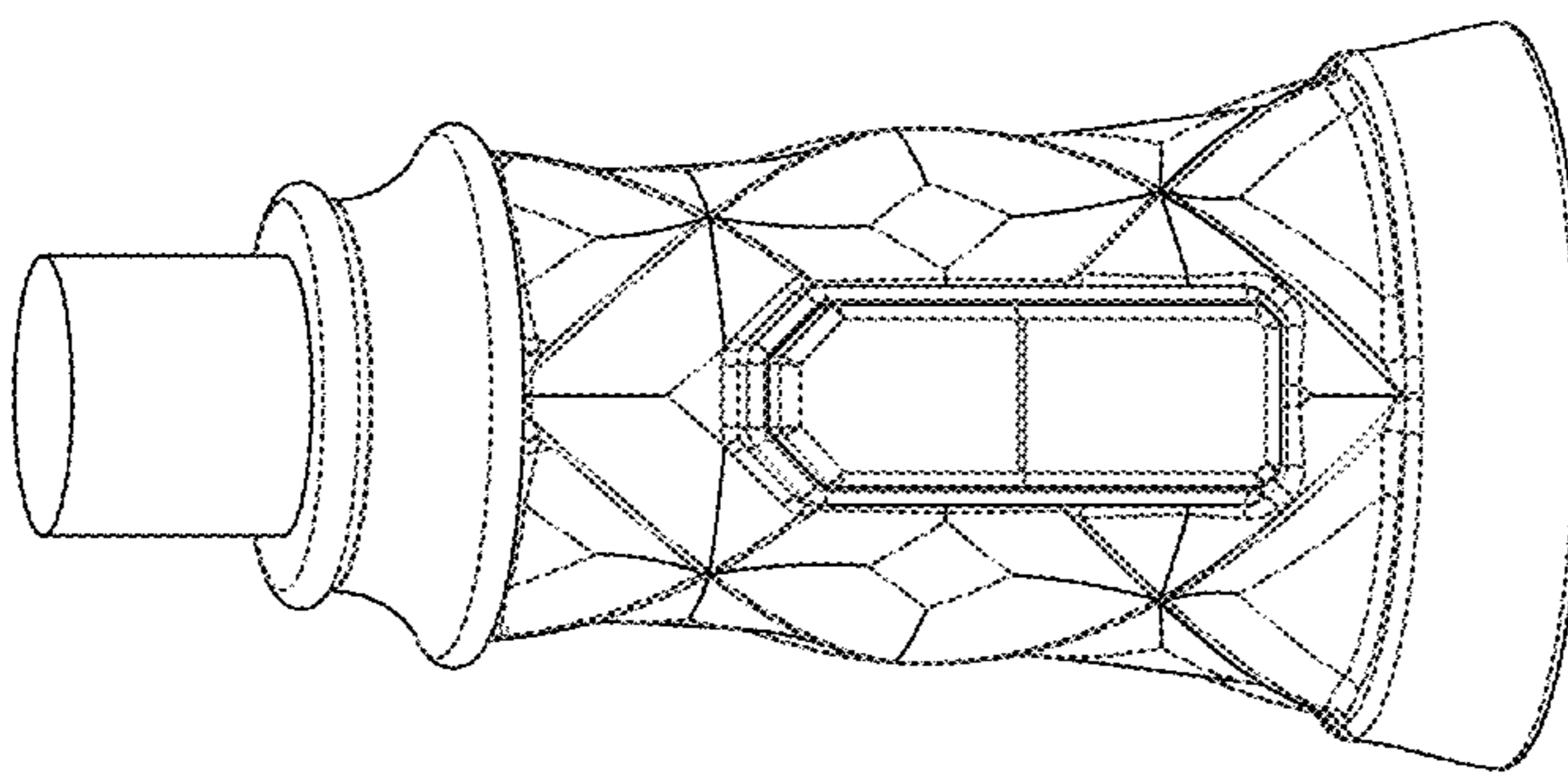


FIG - 5

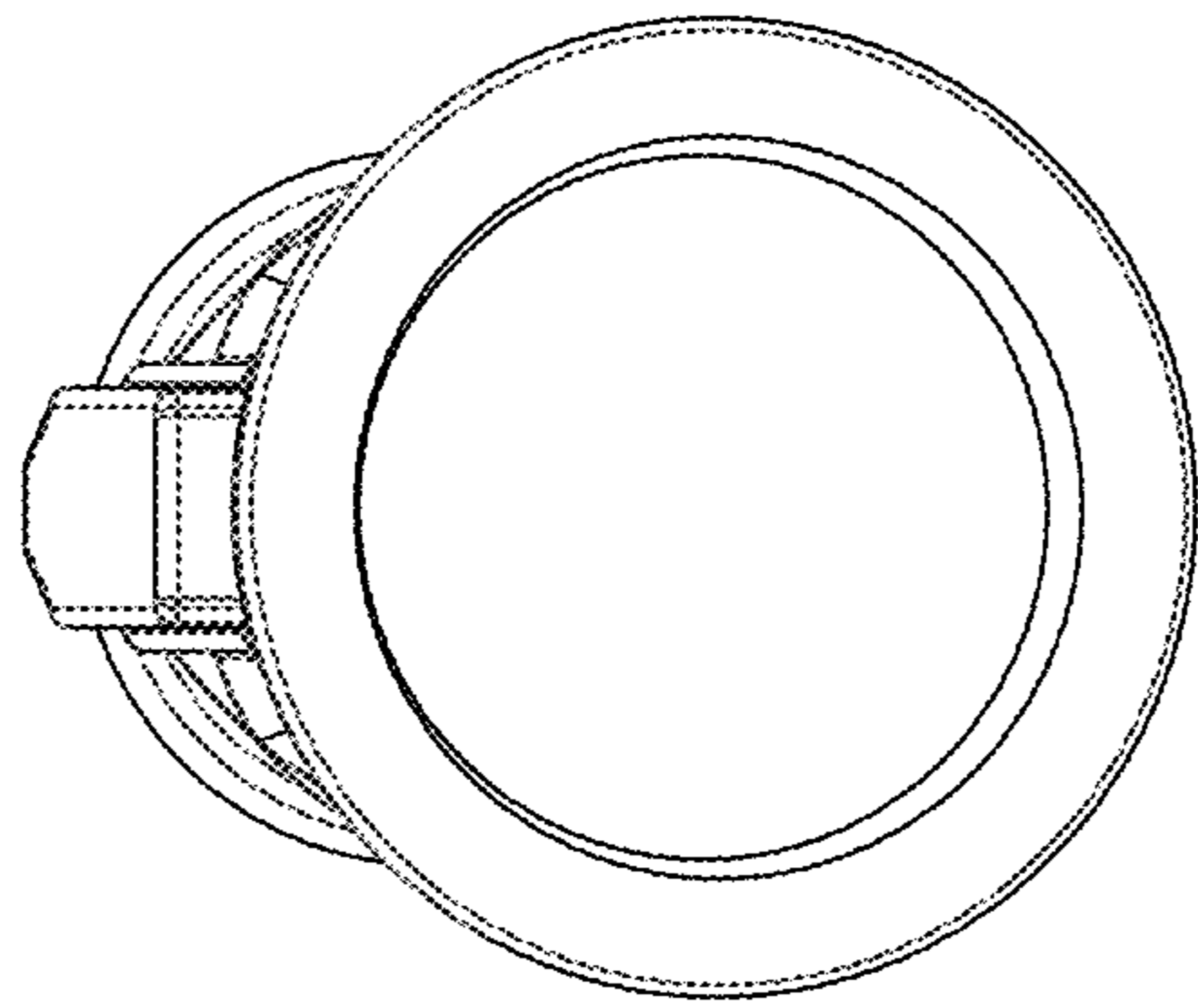


FIG - 8

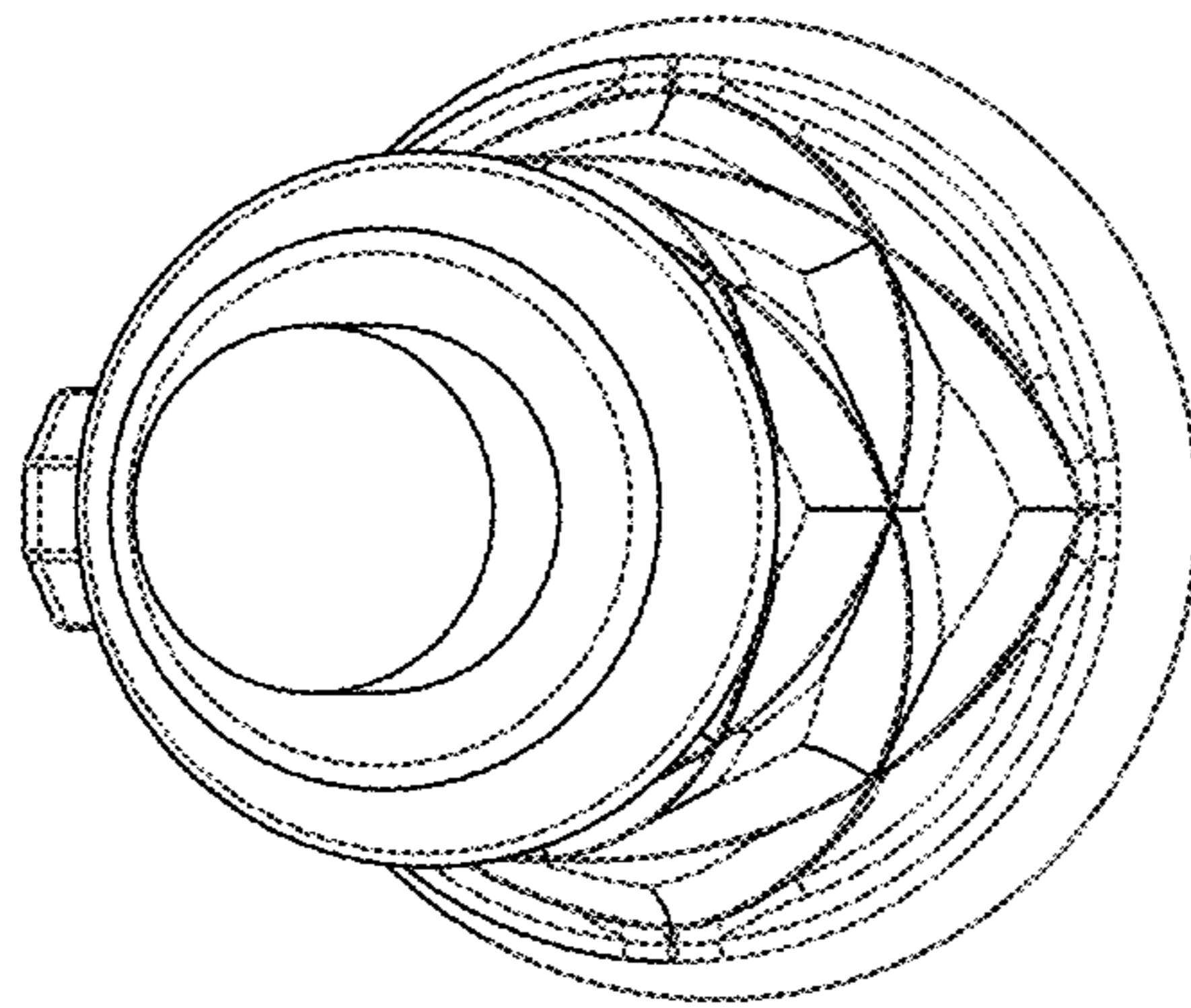


FIG - 7