



US00D934384S

(12) **United States Design Patent**
Masalin et al.

(10) **Patent No.:** **US D934,384 S**

(45) **Date of Patent:** **** Oct. 26, 2021**

(54) **WATERING NOZZLE**

(71) Applicant: **Fiskars Finland Oy Ab**, Helsinki (FI)

(72) Inventors: **Petteri Masalin**, Helsinki (FI); **Sami Lyytikäinen**, Helsinki (FI); **Timo Sutinen**, Helsinki (FI)

(73) Assignee: **FISKARS FINLAND OY AB**, Helsinki (FI)

(**) Term: **15 Years**

(21) Appl. No.: **29/698,455**

(22) Filed: **Jul. 17, 2019**

(30) **Foreign Application Priority Data**

Jan. 22, 2019 (EM) 006081139

(51) **LOC (13) Cl.** **23-01**

(52) **U.S. Cl.**
USPC **D23/226**

(58) **Field of Classification Search**
USPC D23/207, 213, 214, 215, 223, 224, 226,
D23/229, 230
CPC A61H 9/0021; A61H 33/00; B05B 1/00;
B05B 1/14; B05B 1/185; B05B 1/08;
B05B 1/02; B05B 1/26; B05B 12/002;
B05B 1/18; B05B 9/01
See application file for complete search history.

(56) **References Cited**

U.S. PATENT DOCUMENTS

D487,135 S *	2/2004	Lord	D23/245
D519,190 S *	4/2006	Lord	D23/238
D522,614 S *	6/2006	Ko	D23/213
D535,357 S *	1/2007	Zhou	D23/238
D550,326 S *	9/2007	Huang	D23/213
D580,023 S *	11/2008	Gilbert	D23/255
D583,015 S *	12/2008	Soriano	D23/249
D713,508 S *	9/2014	Downey	D23/238

D719,242 S *	12/2014	Kim	D23/255
D754,301 S *	4/2016	Bahler	D23/255
D758,552 S *	6/2016	Rexach	D23/255
D797,257 S *	9/2017	Potter	D23/255
D802,091 S *	11/2017	Bahler	D23/213
D805,611 S *	12/2017	Rexach	D23/257
D842,429 S *	3/2019	Huang	D23/213
D842,430 S *	3/2019	Huang	D23/213
D847,951 S *	5/2019	Zhang	D23/238
D866,707 S *	11/2019	Eads	D23/213

(Continued)

OTHER PUBLICATIONS

<https://www.amazon.com/Fiskars-400NWT-Garden-Watering-Nozzle/dp/B00G8R9RU8> (Year: 2020).*

(Continued)

Primary Examiner — Jack Reickel

Assistant Examiner — Keith J Wilson

(74) *Attorney, Agent, or Firm* — Leason Ellis LLP

(57) **CLAIM**

The ornamental design for a watering nozzle, as shown and described.

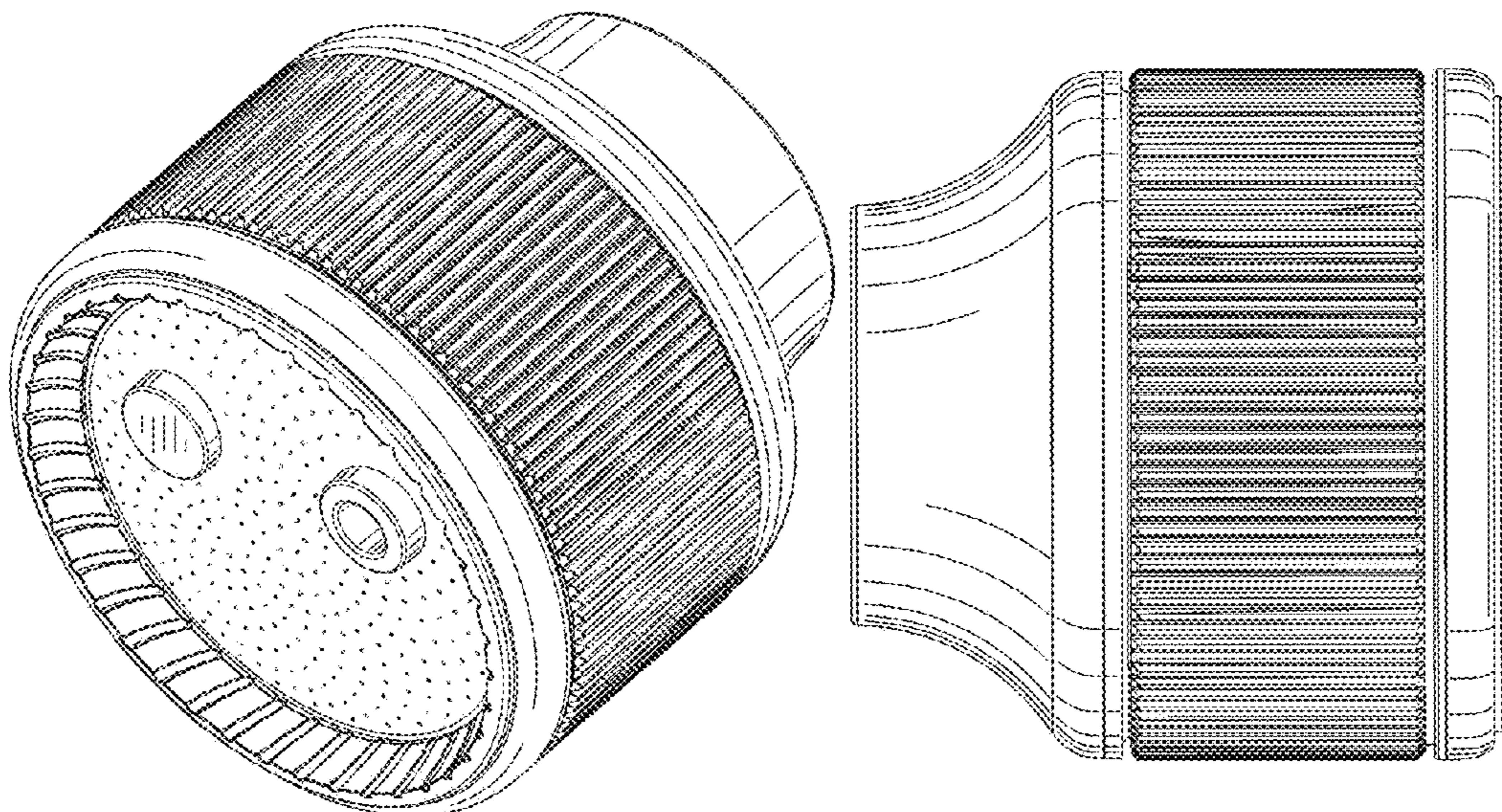
DESCRIPTION

FIG. 1 is a top perspective view of a watering nozzle according to our new design; FIG. 2 is a front view thereof; FIG. 3 is a rear view thereof; FIG. 4 is a left side view thereof; FIG. 5 is a right side view thereof; FIG. 6 is a top plan view thereof; and, FIG. 7 is a bottom plan view thereof.

Conventional shading is illustrated for purposes of highlighting the line drawings, but forms no part of the claimed design.

The broken lines shown represents portions of a watering nozzle and form no part of the claimed design.

1 Claim, 7 Drawing Sheets



(56)

References Cited

U.S. PATENT DOCUMENTS

D866,708 S *	11/2019	Bahler	D23/213
D867,522 S *	11/2019	Tentler	D23/213
D867,523 S *	11/2019	Tentler	D23/213
D867,524 S *	11/2019	Tentler	D23/213
D867,525 S *	11/2019	Eads	D23/213
D867,527 S *	11/2019	Eads	D23/213
D870,234 S *	12/2019	Judge	D23/213
D870,845 S *	12/2019	Eads	D23/213
D874,613 S *	2/2020	Park	D23/238
10,913,084 B2 *	2/2021	Tang	B05B 12/10
D917,664 S *	4/2021	Chen	D23/226
D919,750 S *	5/2021	Chen	D23/226
D919,752 S *	5/2021	Chen	D23/226
D921,156 S *	6/2021	Chen	D23/226
D923,142 S *	6/2021	Feng	D23/226
D923,750 S *	6/2021	Zheng	D23/226
2007/0252022 A1 *	11/2007	Benstead	B05B 1/1618 239/590.5
2016/0136659 A1 *	5/2016	Erickson	B05B 1/1618 239/443

OTHER PUBLICATIONS

Dramm 13200 Wand RainSelect Spray Head, May 18, 2018, Amazon.com, Jul. 15, 2021.URL: <https://www.amazon.com/Dramm-13200-Wand-RainSelect-Spray/dp/B0777SJLGX> (Year: 2018).*

RESTMO Hose Nozzle and Lawn Sprinkler, Mar. 30, 2021, Amazon.com, Jul. 15, 2021.URL: <https://www.amazon.com/dp/B08NDT8D65> (Year: 2021).*

Karcher 2.645-266.0 16.7x56.5x14.8 cm Multi-Spray Gun—Yellow/Black, Nov. 16, 2015, Amazon.co.uk, Jul. 15, 2021.URL: <https://www.amazon.co.uk/Karcher-2-645-266-0-16-7-56-5-Multi-Spray/dp/B017XAFRMA> (Year: 2015).*

YOYO—The multifunctional spray nozzle for garden hoses, Jun. 2, 2017, Amazon.co.uk, Jul. 15, 2021 <https://www.amazon.co.uk/YOYO-multifunctional-regulation-connector-manufactured/dp/B072C5ZJFQ> (Year: 2017).*

* cited by examiner

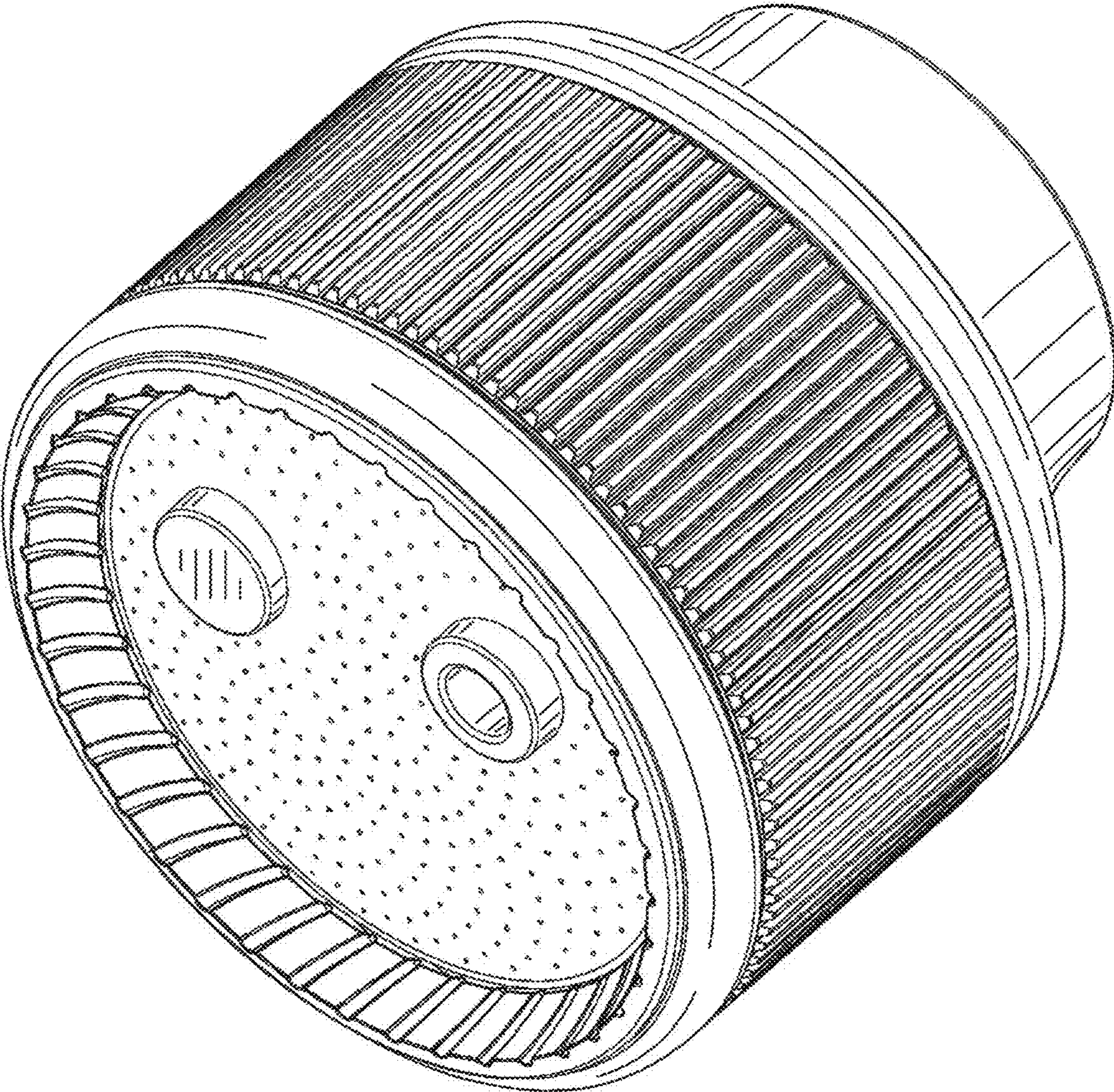


FIG. 1

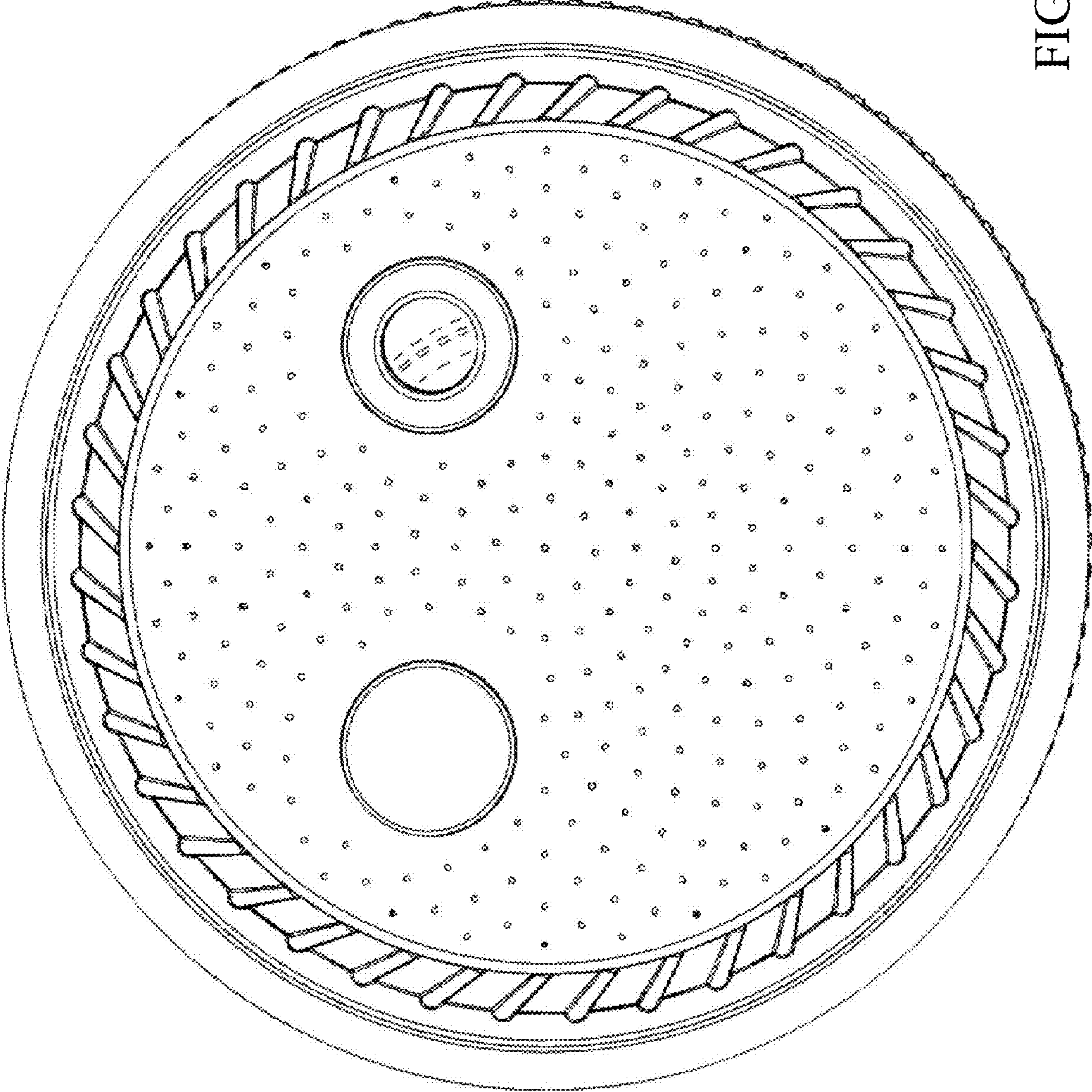


FIG. 2

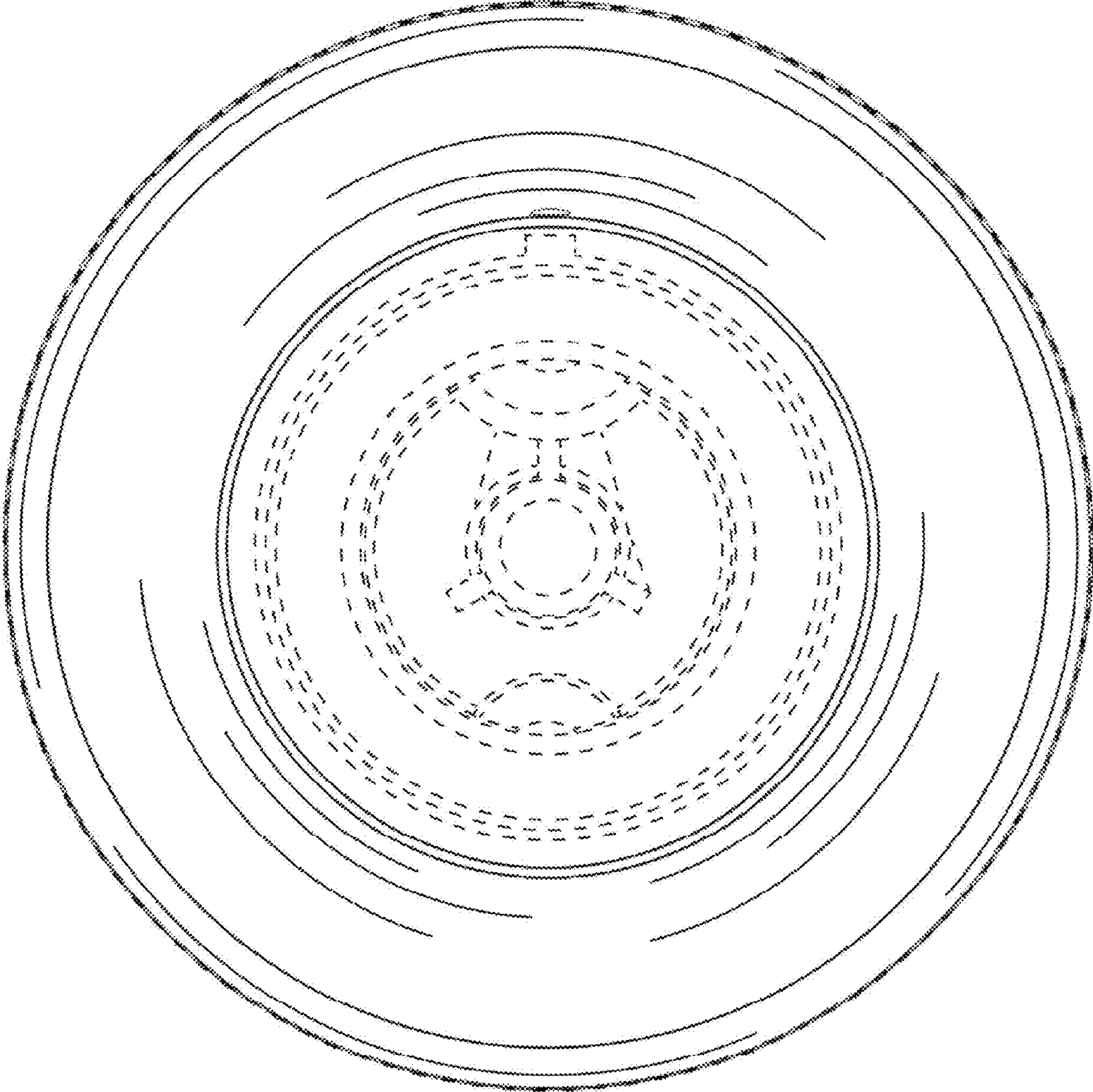


FIG. 3

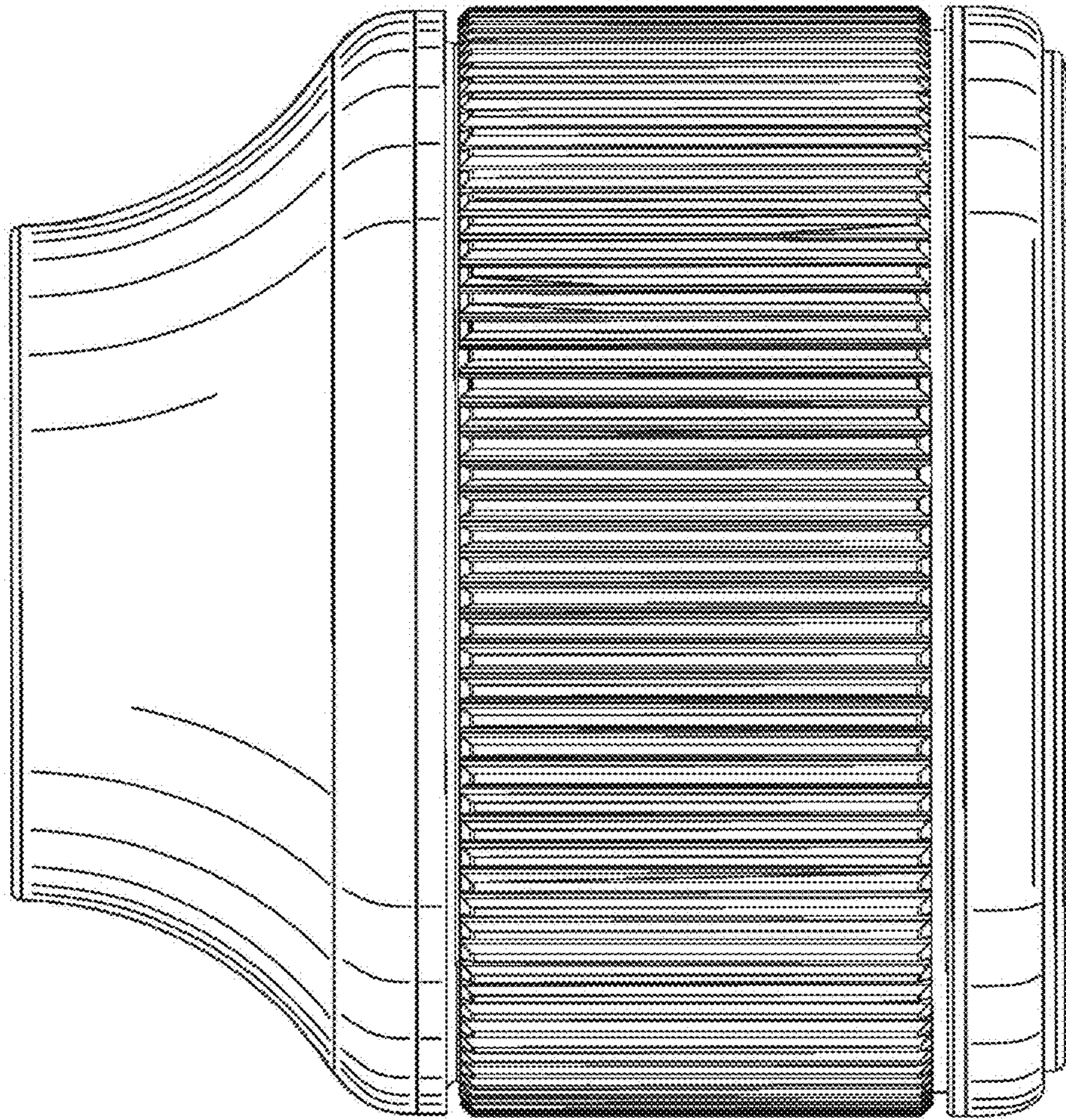


FIG. 4

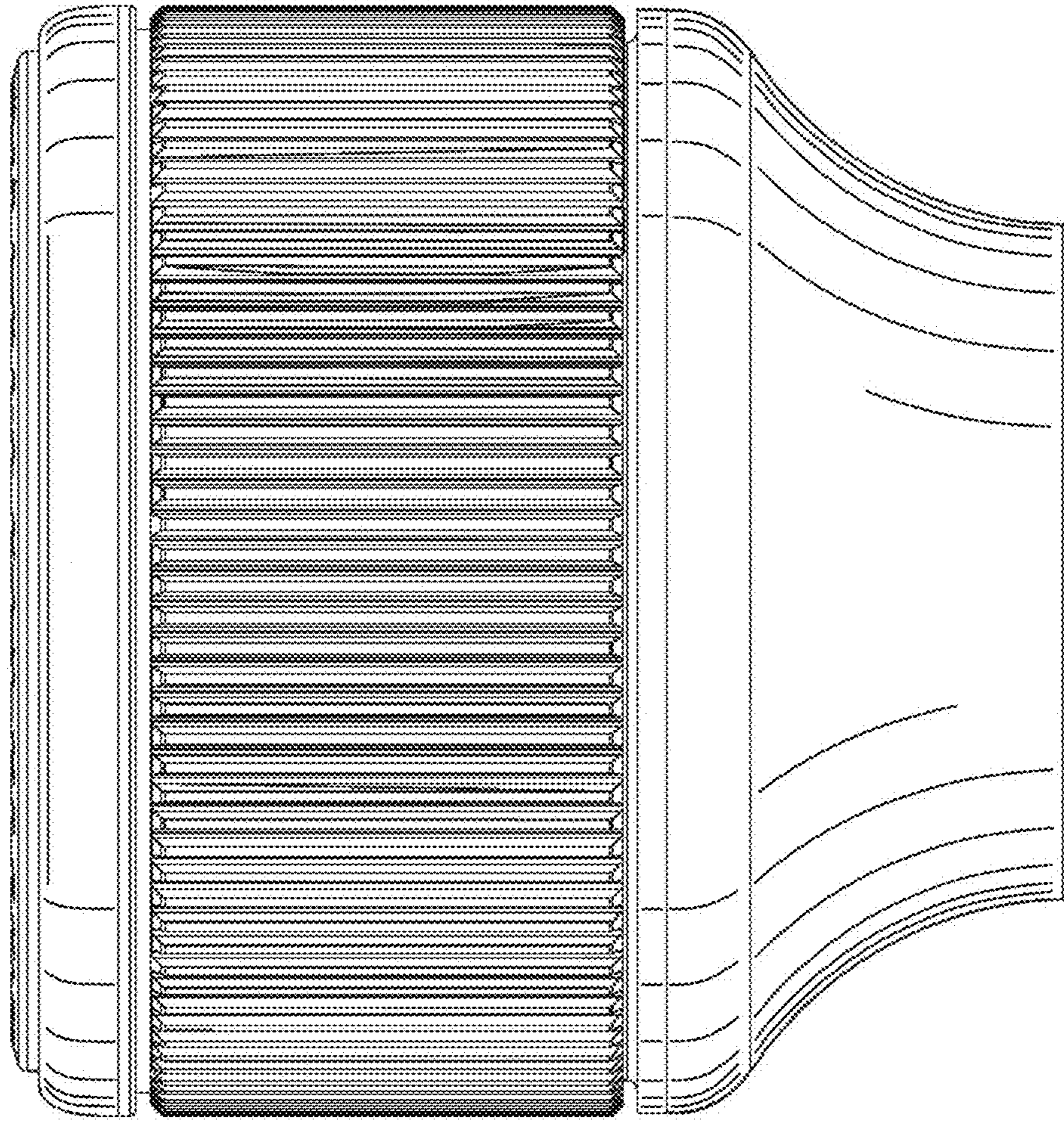


FIG. 5

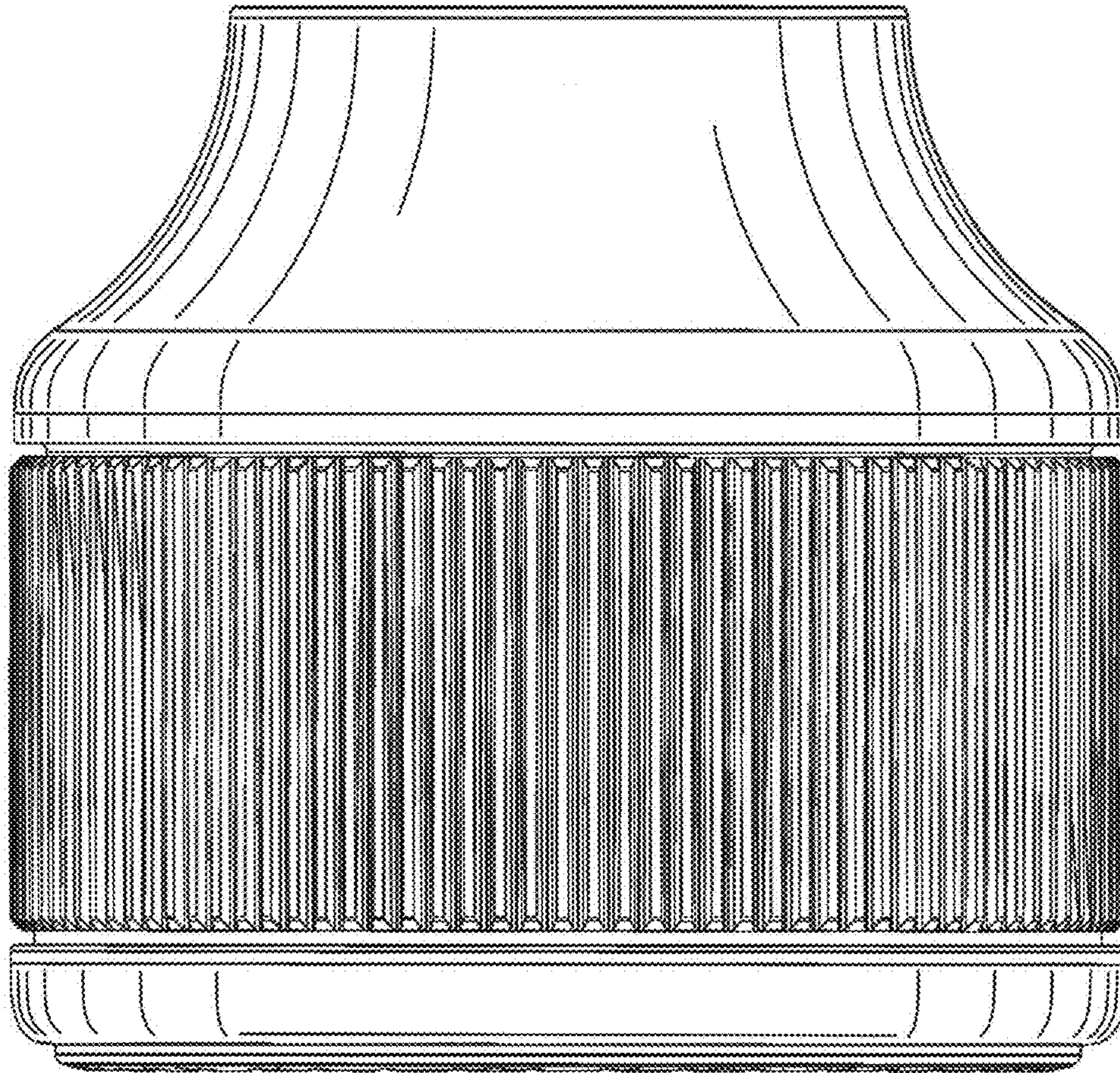


FIG. 6

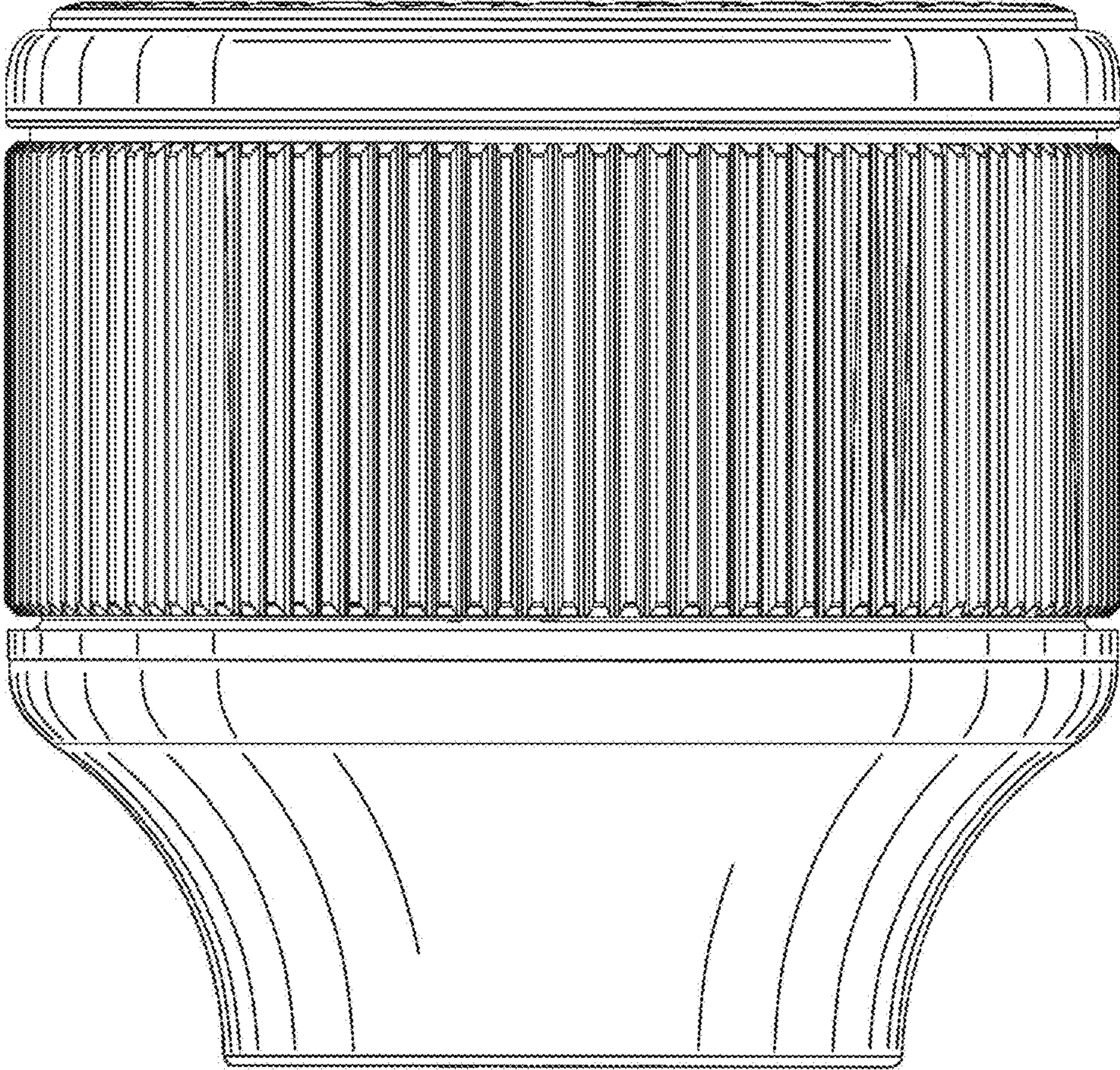


FIG. 7