



US00D934382S

(12) **United States Design Patent** (10) **Patent No.:** **US D934,382 S**
Vallo et al. (45) **Date of Patent:** **** Oct. 26, 2021**

(54) **WATERING SPRINKLER**

OTHER PUBLICATIONS

(71) Applicant: **Fiskars Finland Oy Ab**, Helsinki (FI)
(72) Inventors: **Nicholas Vallo**, Madison, WI (US);
Andrew Block, Madison, WI (US)
(73) Assignee: **FISKARS FINLAND OY AB**, Helsinki (FI)

Fiskar Sprinklers with On/Off and water saving features reference [Dec. 31, 2019] found online [Dec. 31, 2019]—<https://www.fiskars.eu/products/gardening/watering>.*

Primary Examiner — John A Voytek
(74) *Attorney, Agent, or Firm* — Leason Ellis LLP

(**) Term: **15 Years**

(57) **CLAIM**

(21) Appl. No.: **29/656,904**

We claim the ornamental design for a watering sprinkler, as shown and described.

(22) Filed: **Jul. 17, 2018**

DESCRIPTION

(30) **Foreign Application Priority Data**

Feb. 9, 2018 (EM) 004702546

(51) **LOC (13) Cl.** **23-01**

(52) **U.S. Cl.**
USPC **D23/220**

(58) **Field of Classification Search**
USPC D23/213, 214, 221, 218, 227, 254;
D8/350, 352, 399; D21/443, 444;
D30/119, 121, 123, 124, 131, 132, 160;
D24/130; D15/144, 144.1, 144.2
CPC B05B 15/70; B05B 15/74; B05B 15/00;
A01G 3/06; A63F 13/10
See application file for complete search history.

The patent or application file contains at least one drawing executed in color. Copies of this patent or patent application publication with color drawing(s) will be provided by the Office upon request and payment of the necessary fee.

FIG. 1 is a top perspective view of an embodiment of the claimed design;
FIG. 2 is front view thereof;
FIG. 3 is a rear view thereof;
FIG. 4 is a left side view thereof;
FIG. 5 is a right side view thereof;
FIG. 6 is a top view thereof; and
FIG. 7 is a bottom view thereof;
FIG. 8 is a top perspective view of another embodiment of the claimed design;
FIG. 9 is front view thereof;
FIG. 10 is a rear view thereof;
FIG. 11 is a left side view thereof;
FIG. 12 is a right side view thereof;
FIG. 13 is a top view thereof; and
FIG. 14 is a bottom view thereof.

The portions of the water sprinkler shown in lighter tonality inside the broken line circumference forms no part of the claimed design.

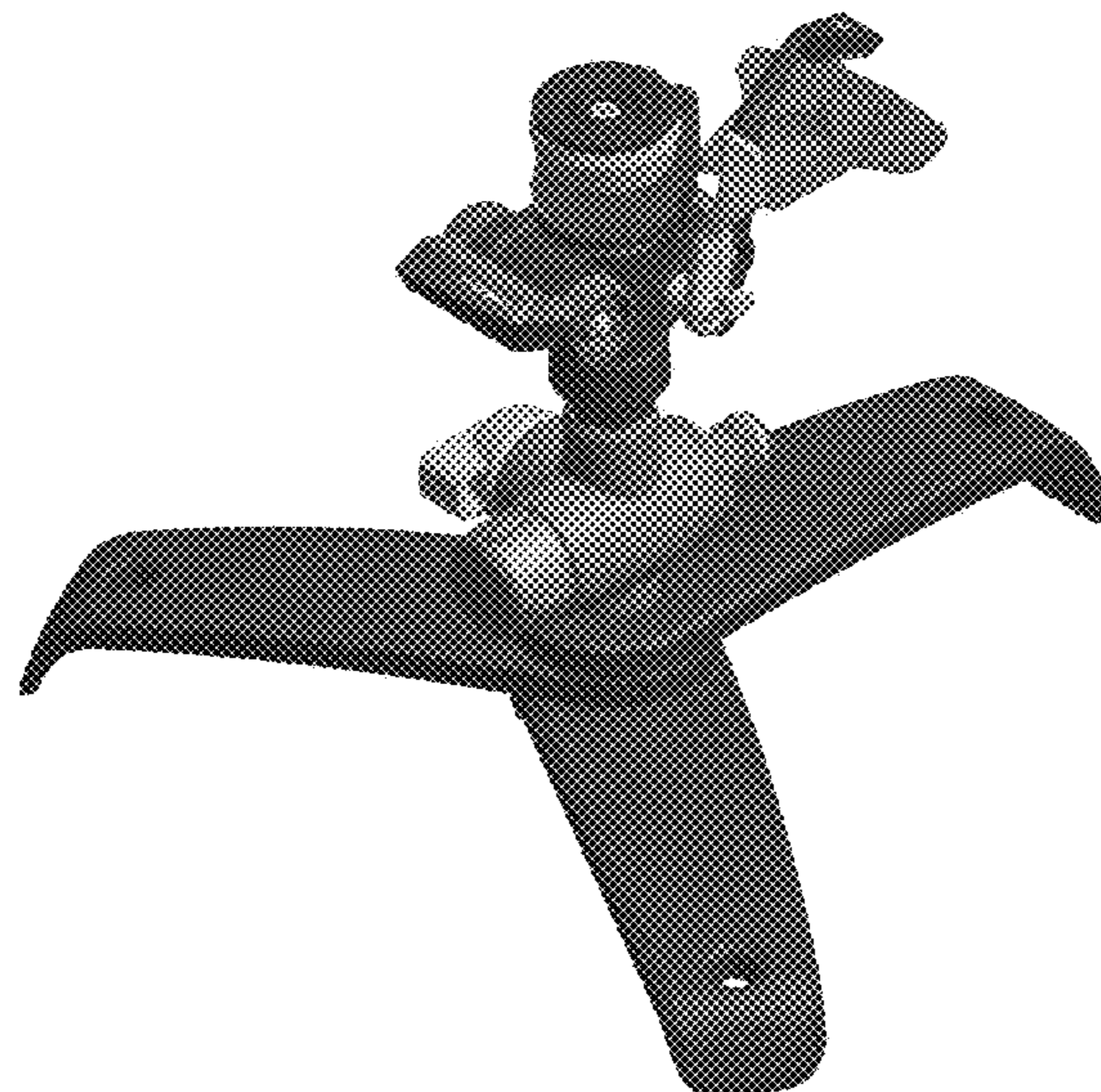
(56) **References Cited**

U.S. PATENT DOCUMENTS

D287,267 S * 12/1986 Premo D23/214
D346,009 S * 4/1994 Simonetti D23/220
D463,525 S * 9/2002 Drechsel D23/214
8,672,236 B2 * 3/2014 Gal A01G 25/00
239/222.15
D750,743 S * 3/2016 Holmes D23/214
D769,410 S * 10/2016 Szasz D23/214
D819,170 S * 5/2018 Vallo D23/214
D819,171 S * 5/2018 Vallo D23/217

(Continued)

1 Claim, 14 Drawing Sheets
(14 of 14 Drawing Sheet(s) Filed in Color)



(56)

References Cited

U.S. PATENT DOCUMENTS

D820,950 S *	6/2018	Vallo	D23/221
D820,951 S *	6/2018	Vallo	D23/221
D827,089 S *	8/2018	Pope	D23/219
D844,105 S *	3/2019	Lo	D23/214
2018/0117605 A1 *	5/2018	Block	B05B 15/622

* cited by examiner



FIG. 1



FIG. 2

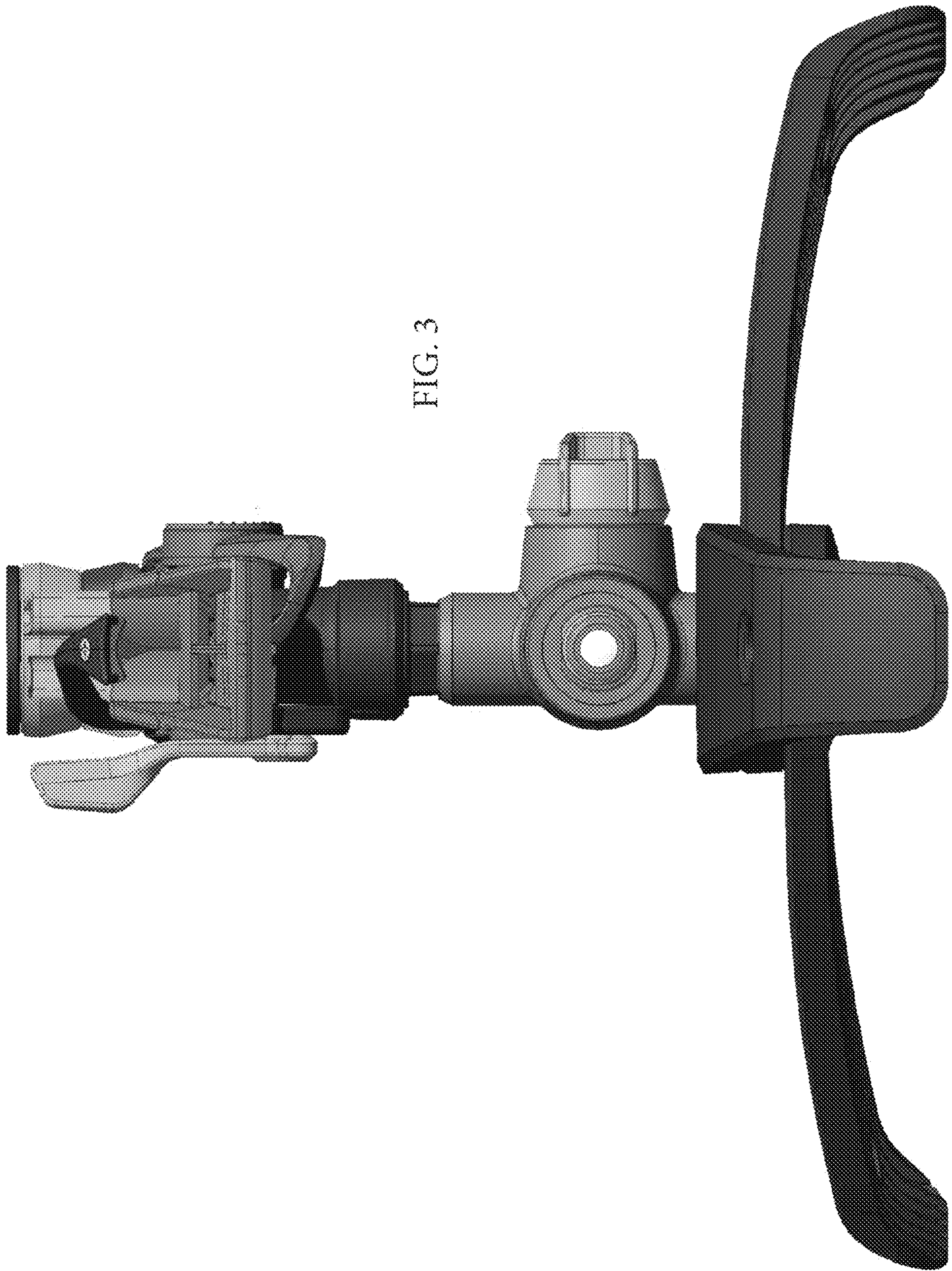


FIG. 3

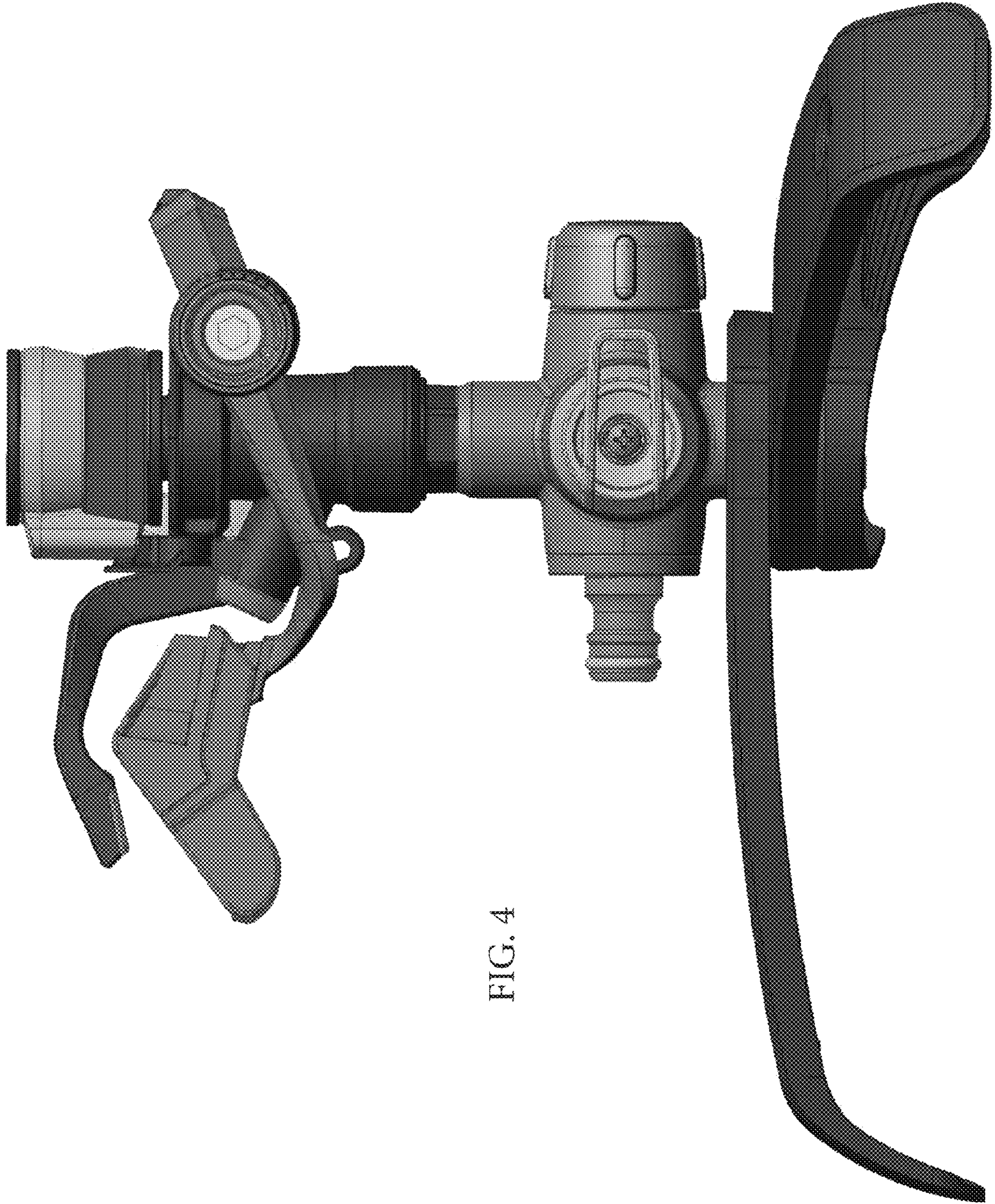


FIG. 4

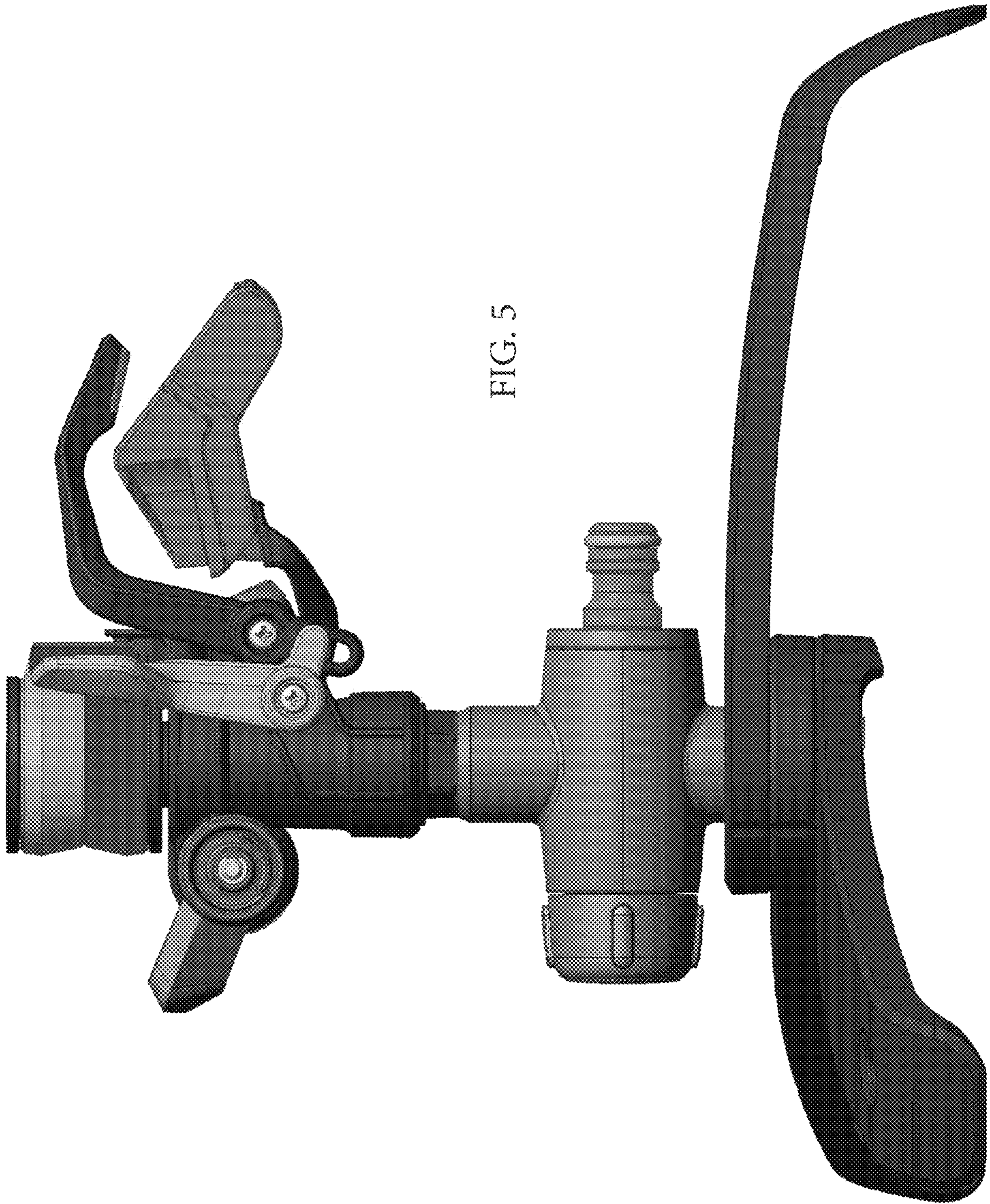


FIG. 5



FIG. 6

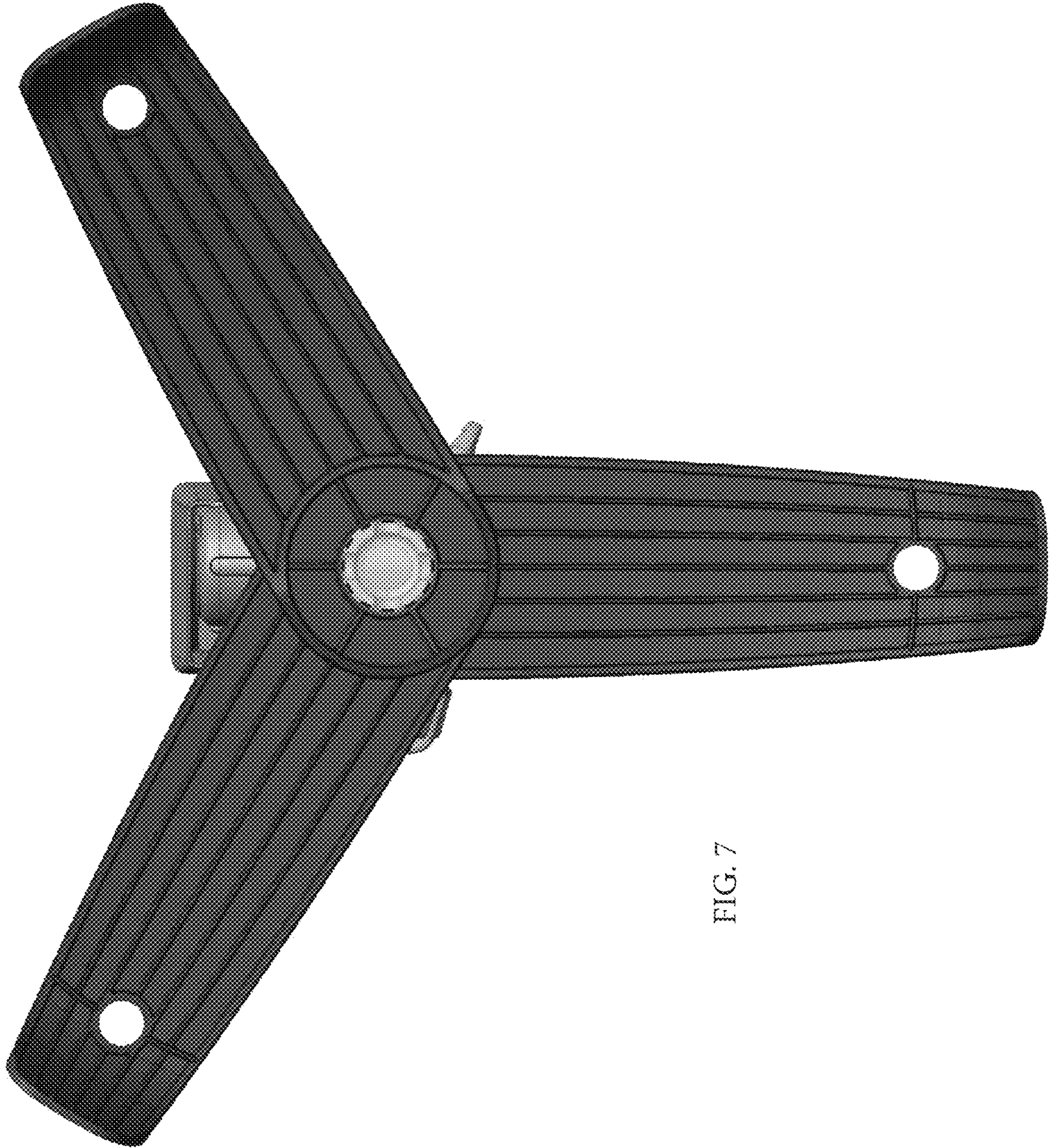


FIG. 7

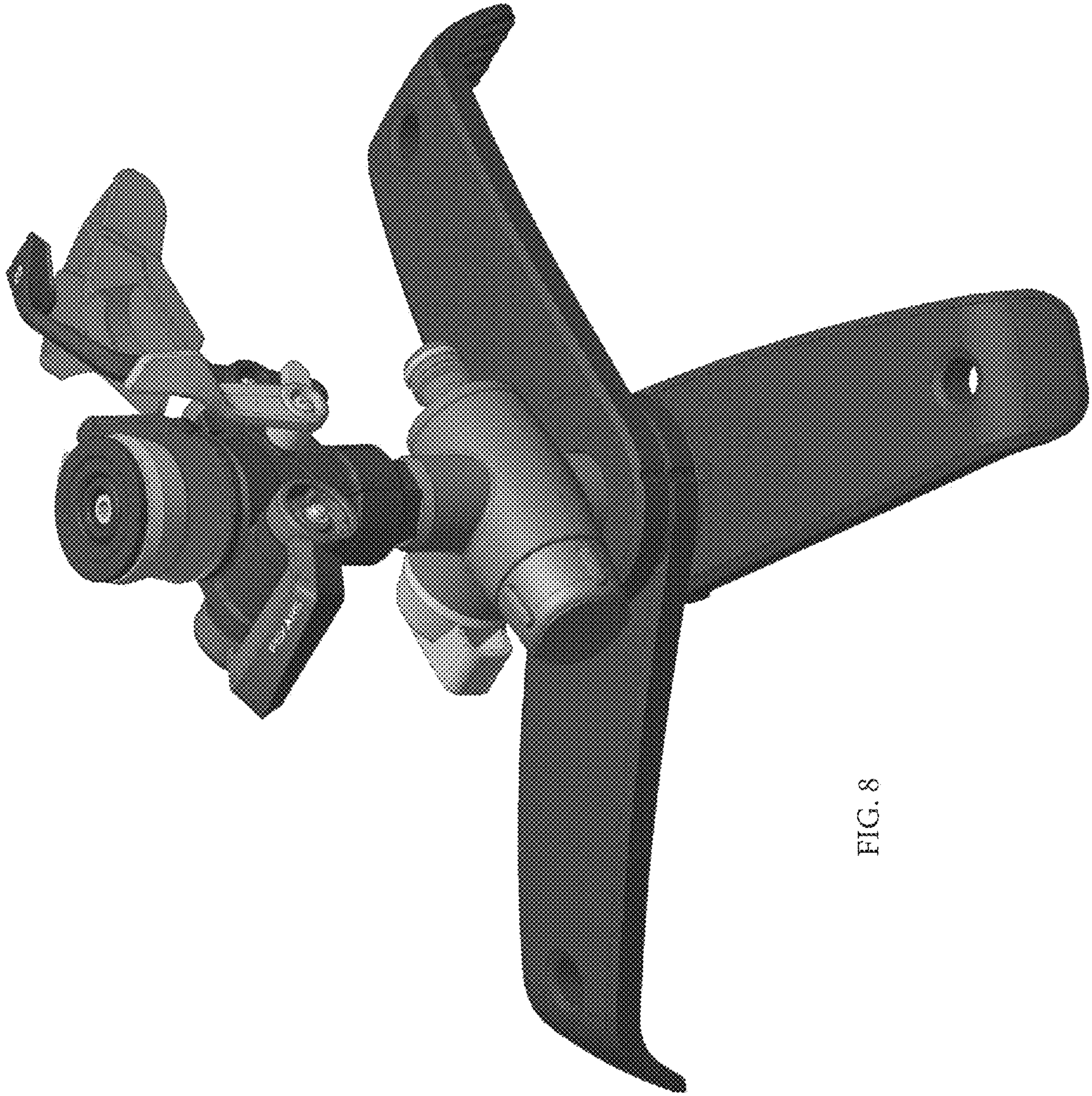


FIG. 8



FIG. 9

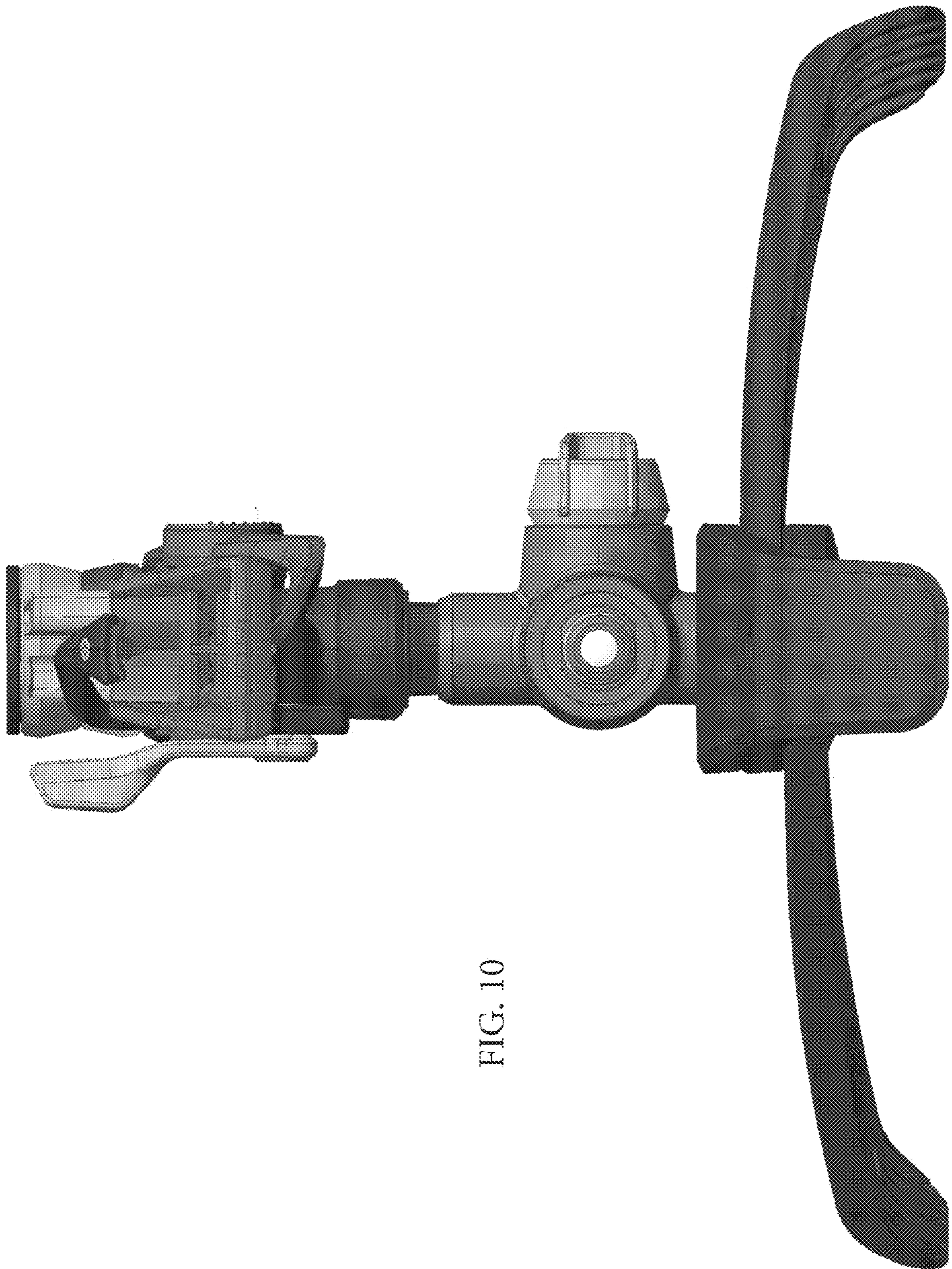


FIG. 10

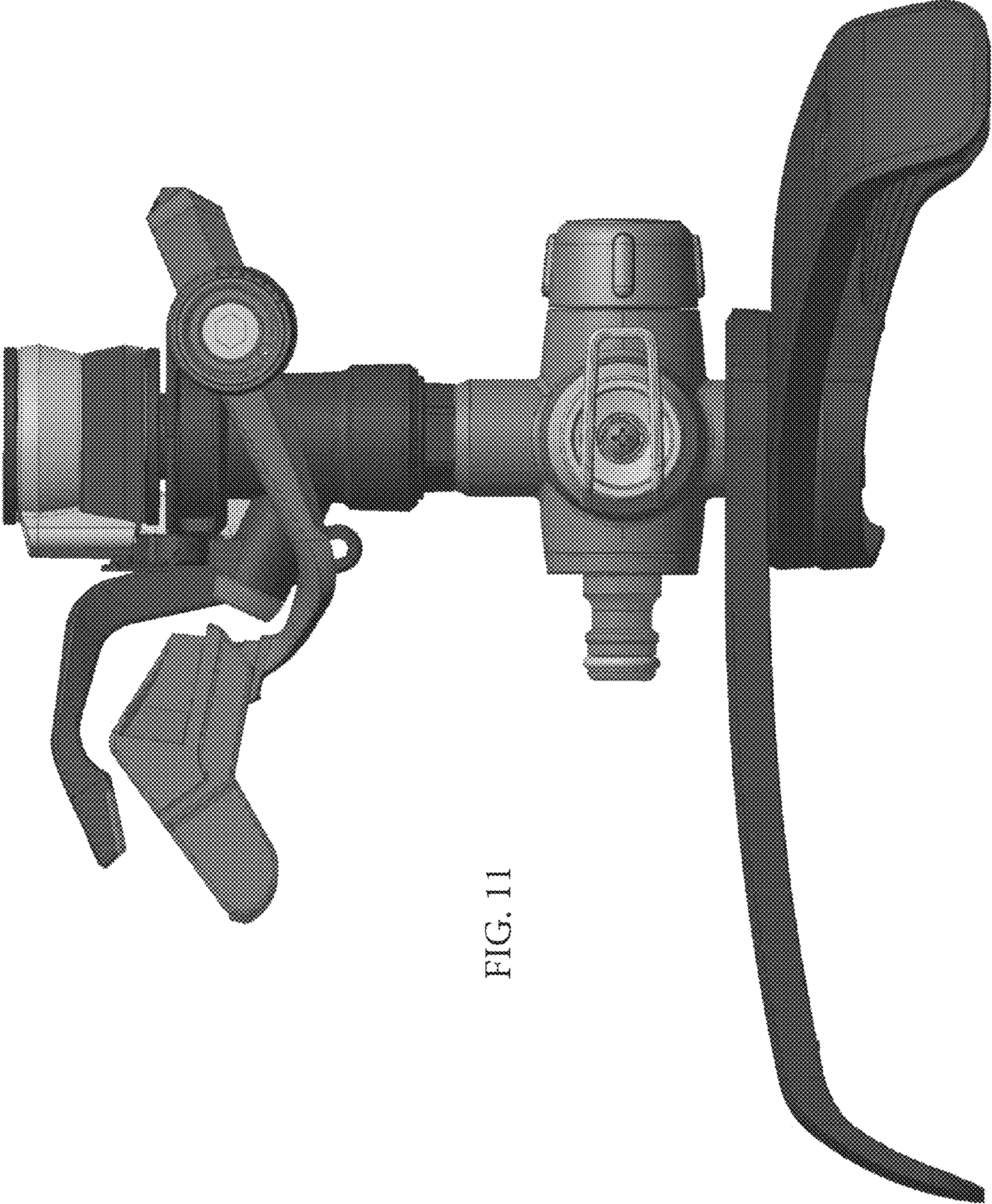


FIG. 11

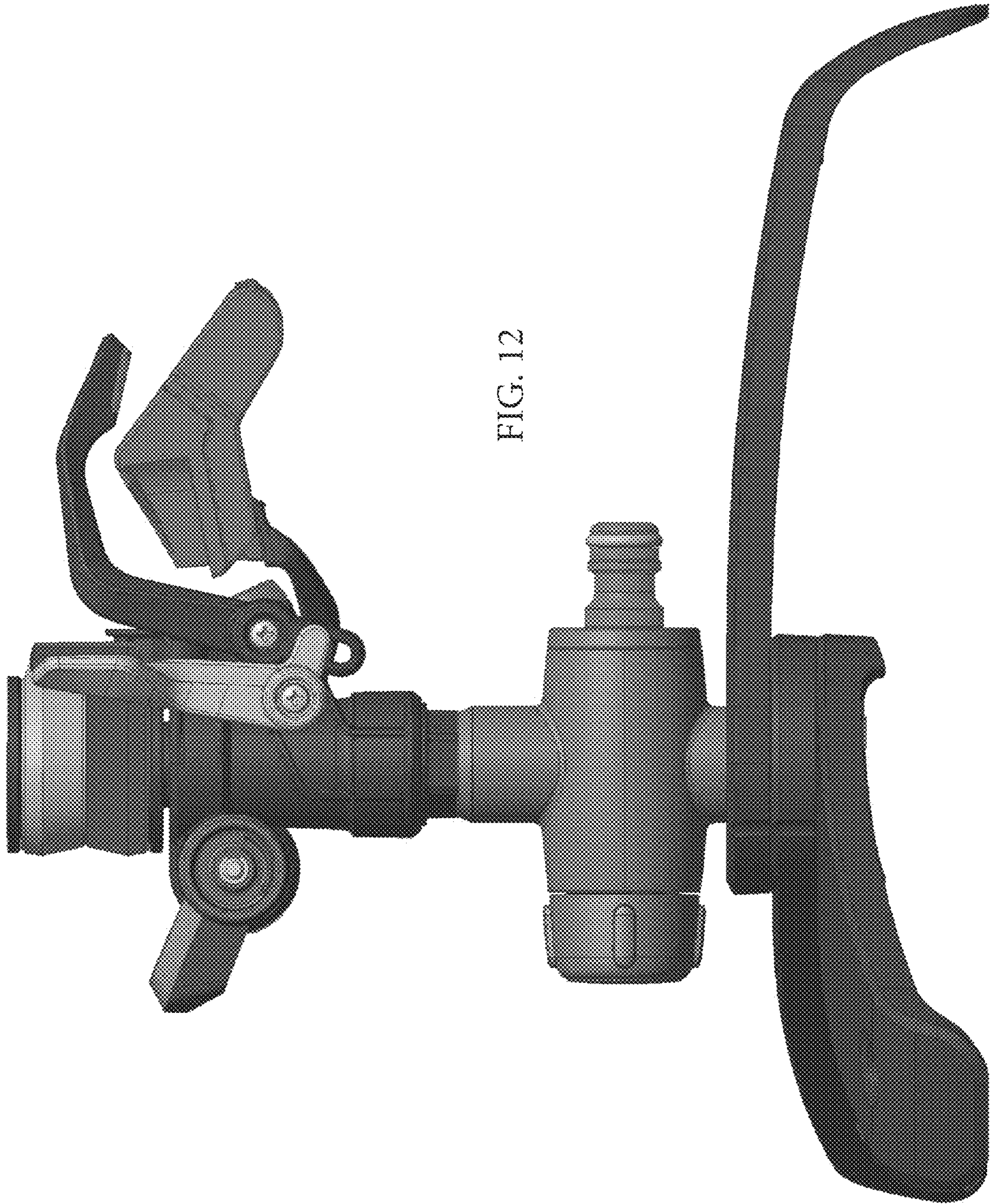


FIG. 12



FIG. 13

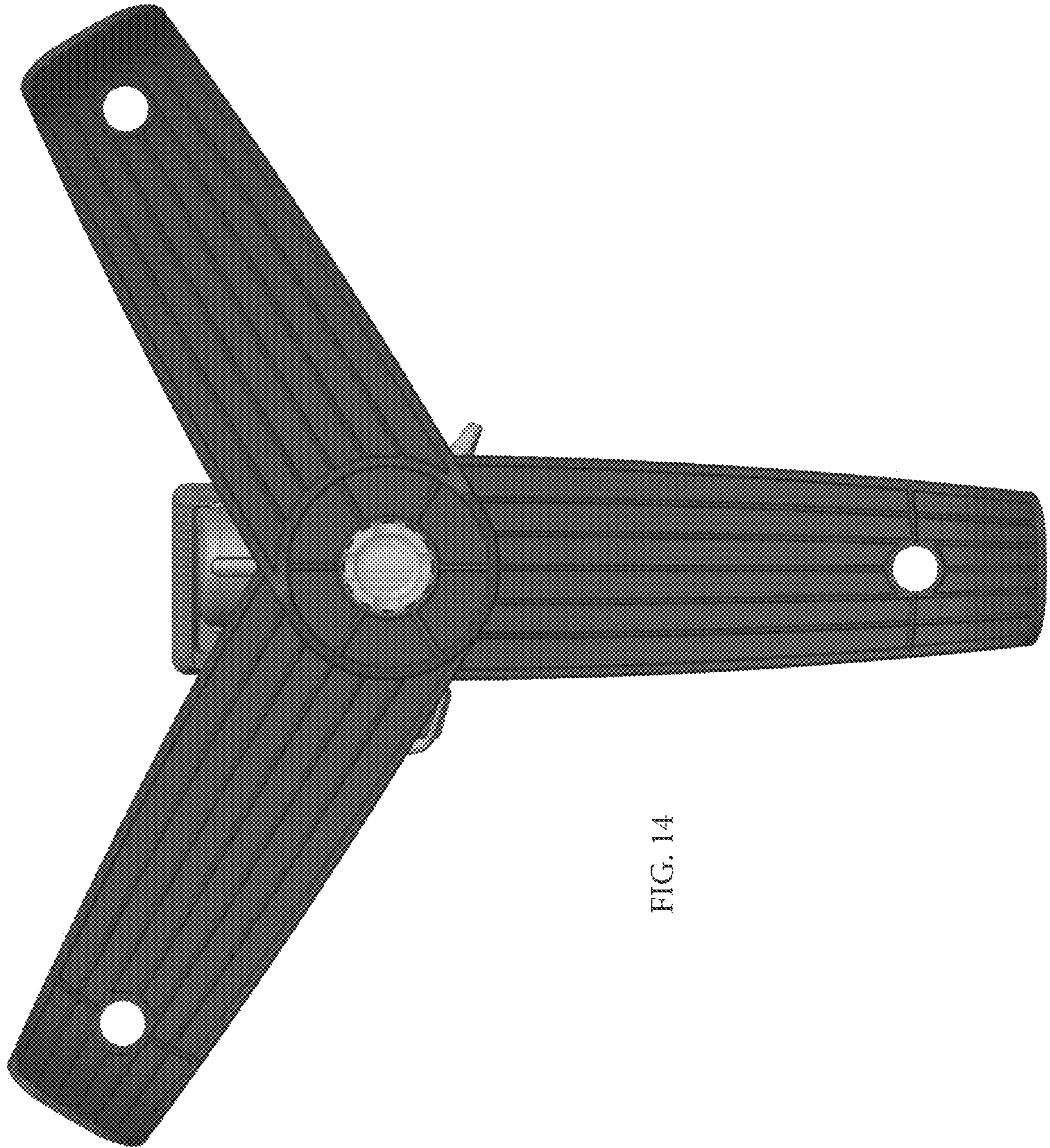


FIG. 14