



US00D934380S

(12) **United States Design Patent**
Masalin et al.

(10) **Patent No.:** **US D934,380 S**

(45) **Date of Patent:** **** Oct. 26, 2021**

(54) **WATERING HANDLE**

(71) Applicant: **Fiskars Finland Oy Ab**, Helsinki (FI)

(72) Inventors: **Petteri Masalin**, Helsinki (FI); **Sami Lyytikäinen**, Helsinki (FI); **Timo Sutinen**, Helsinki (FI)

(73) Assignee: **FISKARS FINLAND OY AB**, Helsinki (FI)

(**) Term: **15 Years**

(21) Appl. No.: **29/698,466**

(22) Filed: **Jul. 17, 2019**

(30) **Foreign Application Priority Data**

Jan. 22, 2019 (EM) 006081139

(51) **LOC (13) Cl.** **23-01**

(52) **U.S. Cl.**
USPC **D23/213**

(58) **Field of Classification Search**
USPC D23/207, 213, 214, 215, 223, 224, 226,
D23/229, 230

CPC A61H 9/0021; A61H 33/00; B05B 1/00;
B05B 1/14; B05B 1/185; B05B 1/08;
B05B 1/02; B05B 1/26; B05B 12/002;
B05B 1/18; B05B 9/01

See application file for complete search history.

(56) **References Cited**

U.S. PATENT DOCUMENTS

D487,135 S *	2/2004	Lord	D23/245
D519,190 S *	4/2006	Lord	D23/238
D522,614 S *	6/2006	Ko	D23/213
D535,357 S *	1/2007	Zhou	D23/238
D550,326 S *	9/2007	Huang	D23/213
D580,023 S *	11/2008	Gilbert	D23/255
D583,015 S *	12/2008	Soriano	D23/249

D713,508 S *	9/2014	Downey	D23/238
D719,242 S *	12/2014	Kim	D23/255
D754,301 S *	4/2016	Bahler	D23/255
D758,552 S *	6/2016	Rexach	D23/255
D797,257 S *	9/2017	Potter	D23/255
D799,000 S *	10/2017	Chen	D23/213
D802,091 S *	11/2017	Bahler	D23/213
D805,611 S *	12/2017	Rexach	D23/257
D842,429 S *	3/2019	Huang	D23/213
D842,430 S *	3/2019	Huang	D23/213

(Continued)

OTHER PUBLICATIONS

<https://www.fiskars.eu/products/gardening/watering/adjustable-nozzle-spray-gun-1052182> (Year: 2020).*

(Continued)

Primary Examiner — Jack Reickel

Assistant Examiner — Keith J Wilson

(74) *Attorney, Agent, or Firm* — Leason Ellis LLP

(57) **CLAIM**

The ornamental design for a watering handle, as shown and described.

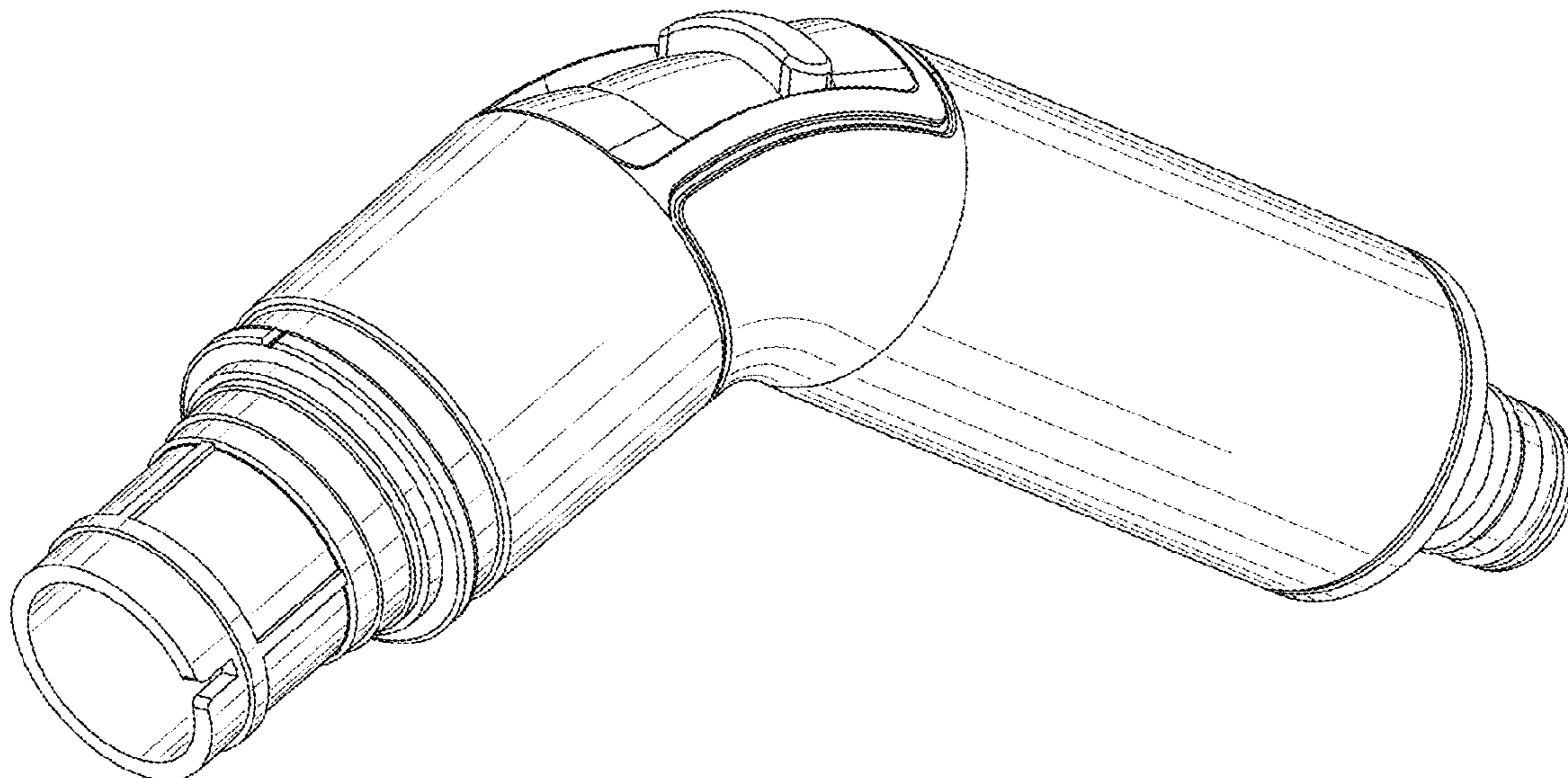
DESCRIPTION

FIG. 1 is a top perspective view of a watering handle according to our new design; FIG. 2 is a front view thereof; FIG. 3 is a rear view thereof; FIG. 4 is a left side view thereof; FIG. 5 is a right side view thereof; FIG. 6 is a top plan view thereof; and, FIG. 7 is a bottom plan view thereof.

Conventional shading is illustrated for purposes of highlighting the line drawings, but forms no part of the claimed design.

The broken line shown represents portions of an adjustable watering handle and form no part of the claimed design.

1 Claim, 7 Drawing Sheets



(56)

References Cited

U.S. PATENT DOCUMENTS

D847,951 S * 5/2019 Zhang D23/238
D851,738 S * 6/2019 Ghorbani D23/259
D866,707 S * 11/2019 Eads D23/213
D866,708 S * 11/2019 Bahler D23/213
D867,522 S * 11/2019 Tentler D23/213
D867,523 S * 11/2019 Tentler D23/213
D867,524 S * 11/2019 Tentler D23/213
D867,525 S * 11/2019 Eads D23/213
D867,527 S * 11/2019 Eads D23/213
D870,234 S * 12/2019 Judge D23/213
D870,845 S * 12/2019 Eads D23/213
D874,613 S * 2/2020 Park D23/238
D889,597 S * 7/2020 Dammkoehler D23/213
D908,187 S * 1/2021 Tobler D23/213
2007/0252022 A1 * 11/2007 Benstead B05B 1/1618
239/590.5
2016/0136659 A1 * 5/2016 Erickson B05B 1/1618
239/443

OTHER PUBLICATIONS

“[Gardena Nozzle Connect]” [Apr. 11, 2011], [Amazon.com], [Feb. 27, 2021]: [URL] <https://www.amazon.com/dp/B0013HS2B8/> (Year: 2011).*

* cited by examiner

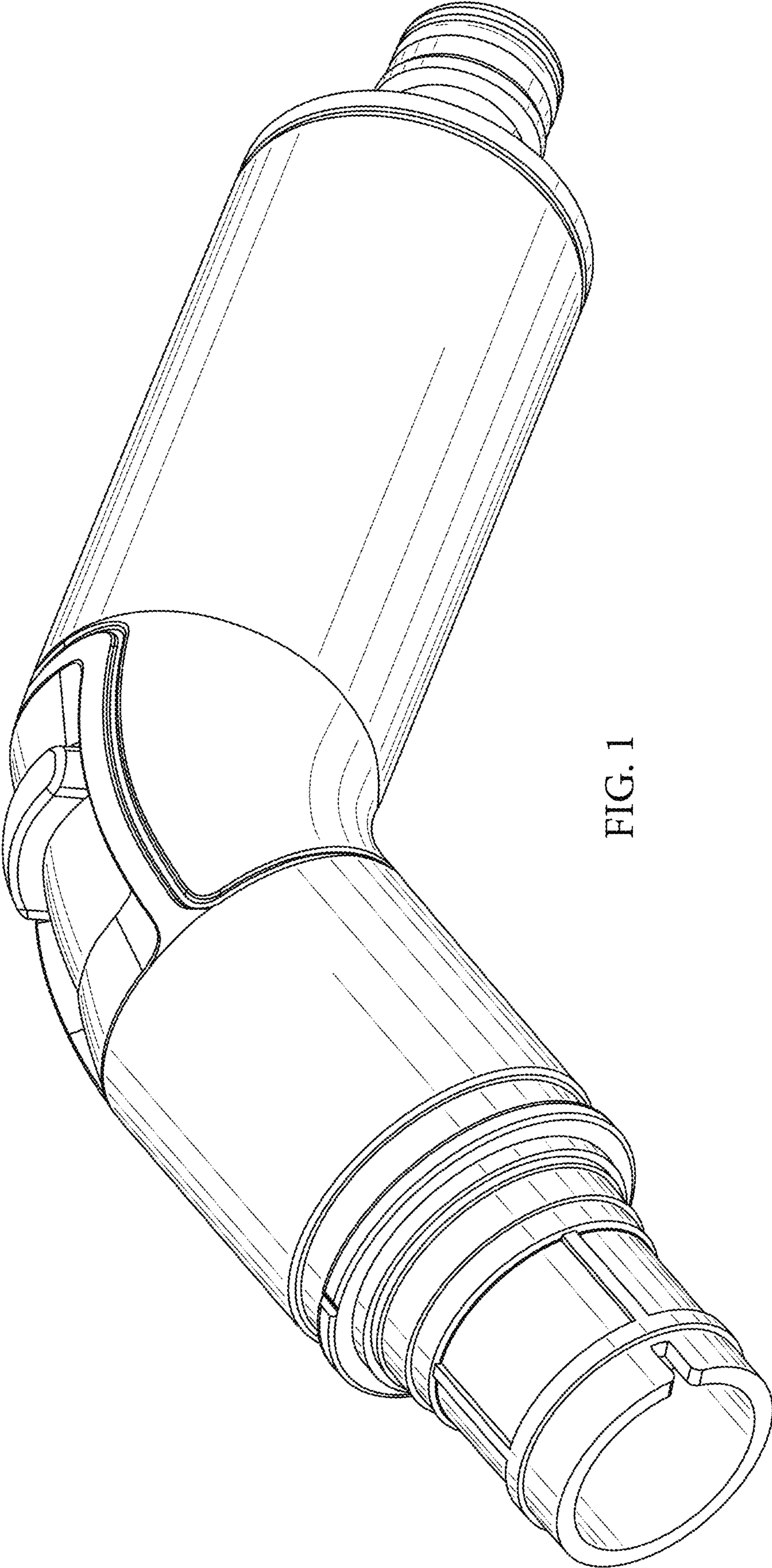


FIG. 1

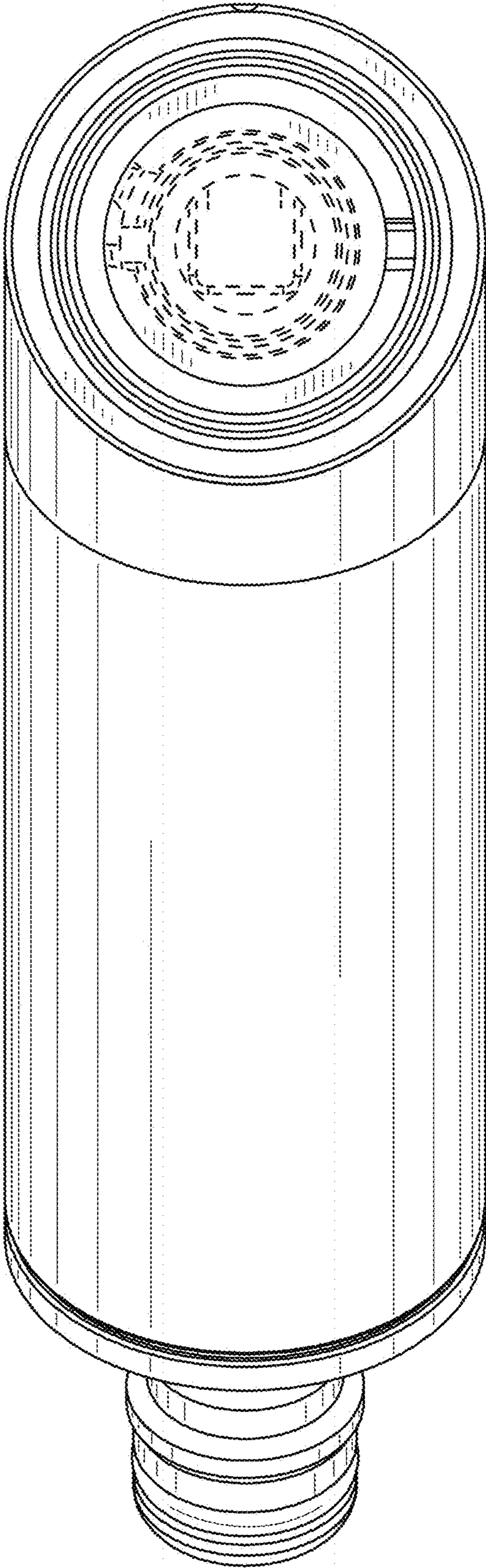


FIG. 2

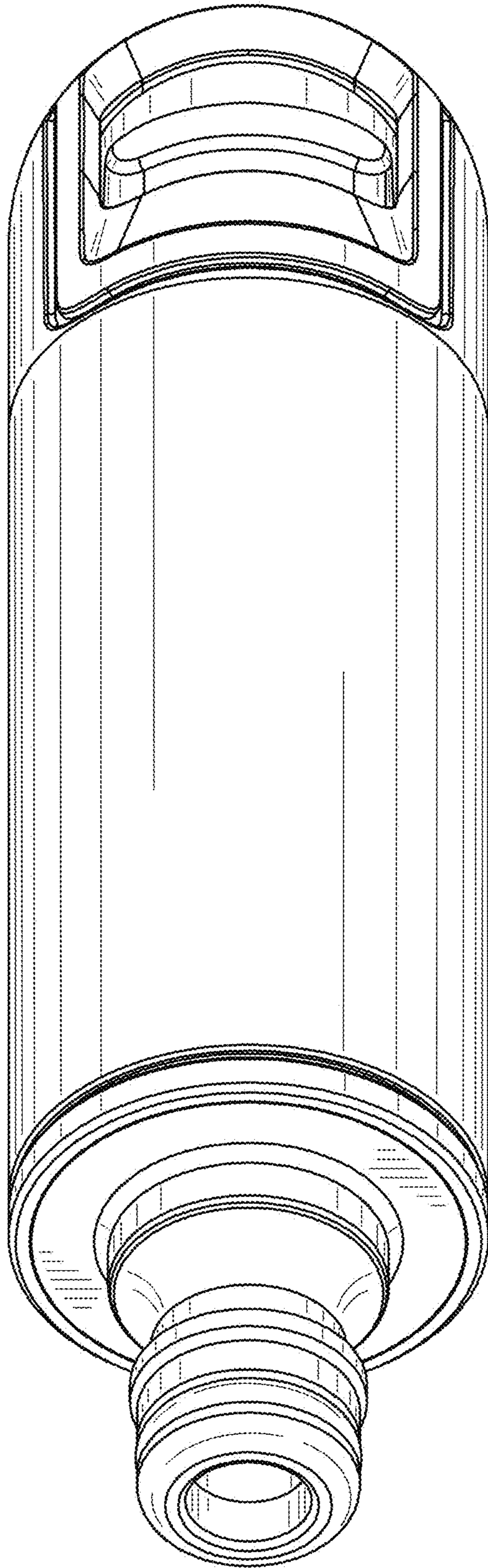


FIG. 3

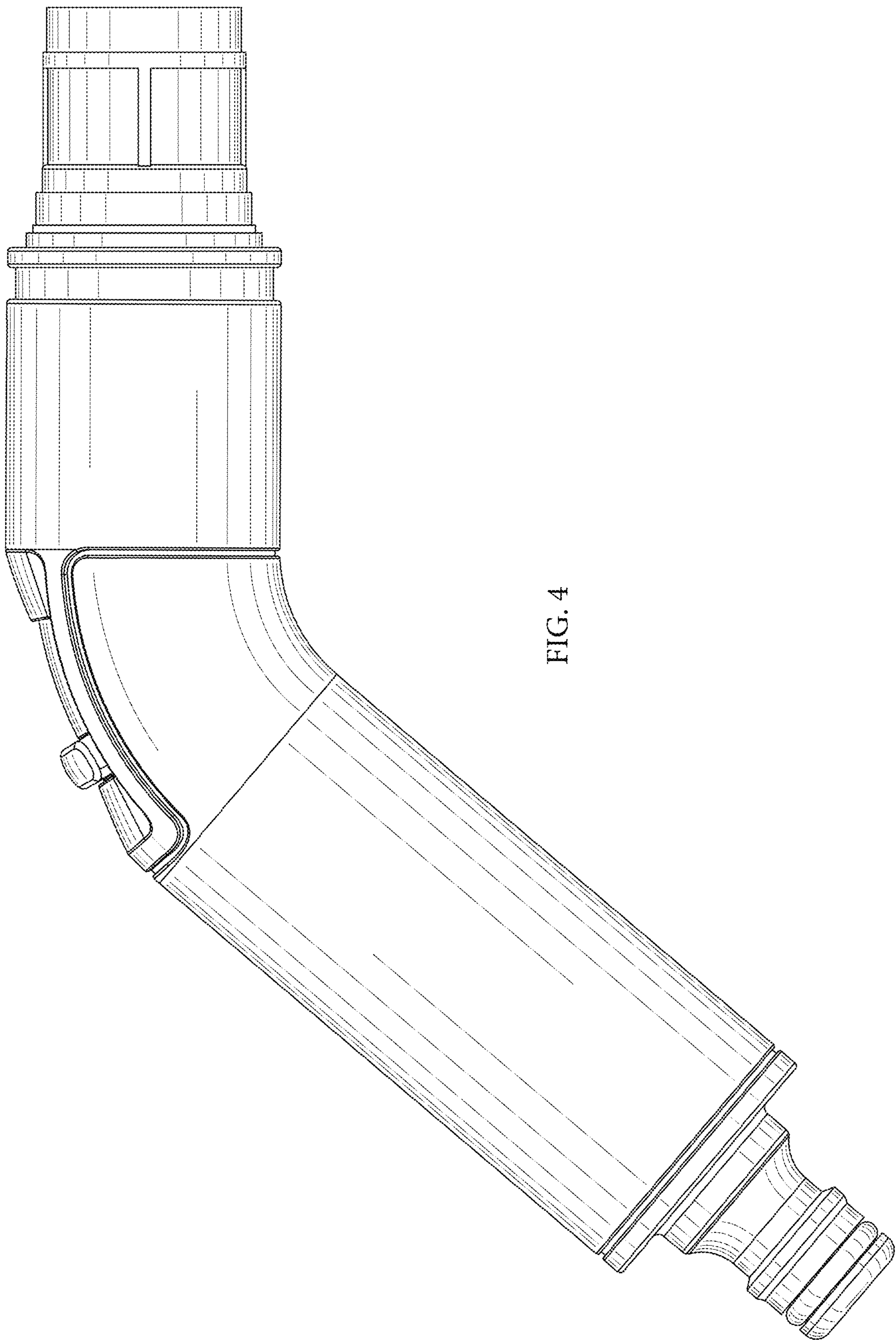


FIG. 4

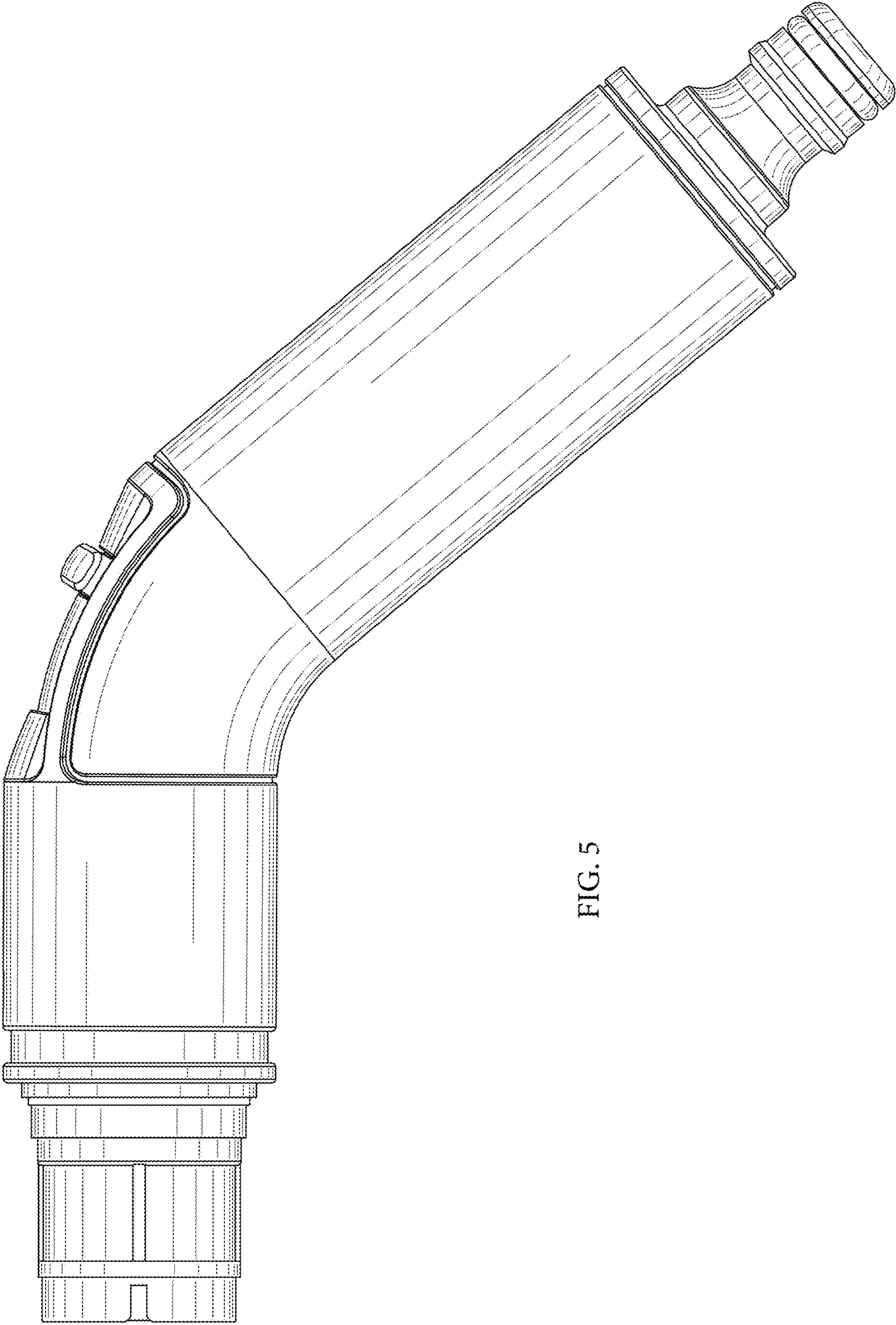


FIG. 5

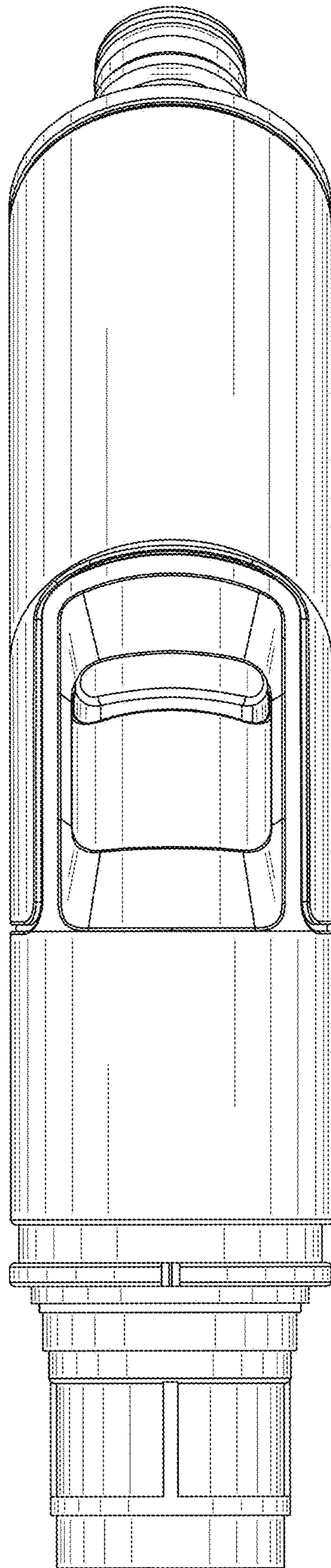


FIG. 6

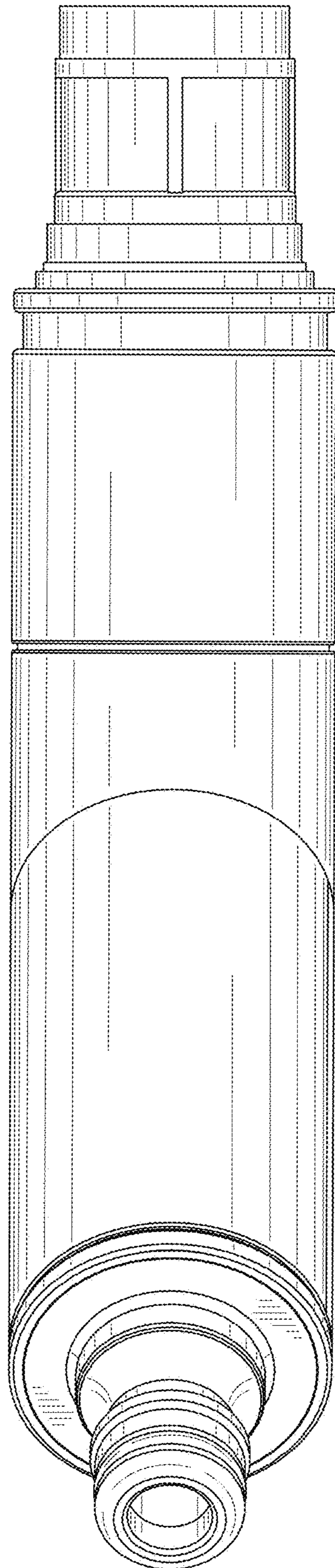


FIG. 7