



US00D934379S

(12) **United States Design Patent**  
**Masalin et al.**

(10) **Patent No.:** **US D934,379 S**

(45) **Date of Patent:** **\*\* Oct. 26, 2021**

(54) **WATERING WAND**

(71) Applicant: **Fiskars Finland Oy Ab**, Helsinki (FI)

(72) Inventors: **Petteri Masalin**, Helsinki (FI); **Sami Lyytikäinen**, Helsinki (FI); **Timo Sutinen**, Helsinki (FI)

(73) Assignee: **FISKARS FINLAND OY AB**, Helsinki (FI)

(\*\*) Term: **15 Years**

(21) Appl. No.: **29/698,464**

(22) Filed: **Jul. 17, 2019**

(30) **Foreign Application Priority Data**

Jan. 22, 2019 (EM) ..... 006081139

(51) **LOC (13) Cl.** ..... **23-01**

(52) **U.S. Cl.**  
USPC ..... **D23/213**

(58) **Field of Classification Search**  
USPC ..... D23/207, 213, 214, 215, 223, 224, 226,  
D23/229, 230

CPC ..... A61H 9/0021; A61H 33/00; B05B 1/00;  
B05B 1/14; B05B 1/185; B05B 1/08;  
B05B 1/02; B05B 1/26; B05B 12/002;  
B05B 1/18; B05B 9/01

See application file for complete search history.

(56) **References Cited**

**U.S. PATENT DOCUMENTS**

D487,135 S \* 2/2004 Lord ..... D23/245  
D519,190 S \* 4/2006 Lord ..... D23/238  
D522,614 S \* 6/2006 Ko ..... D23/213  
D535,357 S \* 1/2007 Zhou ..... D23/238  
D550,326 S \* 9/2007 Huang ..... D23/213  
D580,023 S \* 11/2008 Gilbert ..... D23/255  
D583,015 S \* 12/2008 Soriano ..... D23/249  
D713,508 S \* 9/2014 Downey ..... D23/238  
D719,242 S \* 12/2014 Kim ..... D23/255

D754,301 S \* 4/2016 Bahler ..... D23/255  
D758,552 S \* 6/2016 Rexach ..... D23/255  
D797,257 S \* 9/2017 Potter ..... D23/255  
D802,091 S \* 11/2017 Bahler ..... D23/213  
D805,611 S \* 12/2017 Rexach ..... D23/257  
D839,384 S \* 1/2019 Svendsen ..... D23/213  
D842,429 S \* 3/2019 Huang ..... D23/213  
D842,430 S \* 3/2019 Huang ..... D23/213

(Continued)

**OTHER PUBLICATIONS**

[https://www.amazon.com/Fiskars-400NWT-Garden-Watering-Nozzle/dp/B00G8R9RU8/ref=sr\\_1\\_2?dchild=1&keywords=Fiskars+400NWT+Garden+Watering+SS+Series+Nozzle%2C+Black&qid=1597690349&sr=8-2](https://www.amazon.com/Fiskars-400NWT-Garden-Watering-Nozzle/dp/B00G8R9RU8/ref=sr_1_2?dchild=1&keywords=Fiskars+400NWT+Garden+Watering+SS+Series+Nozzle%2C+Black&qid=1597690349&sr=8-2) (Year: 2020).\*

(Continued)

*Primary Examiner* — Jack Reickel

*Assistant Examiner* — Keith J Wilson

(74) *Attorney, Agent, or Firm* — Leason Ellis LLP

(57) **CLAIM**

The ornamental design for a watering wand, as shown and described.

**DESCRIPTION**

FIG. 1 is a top perspective view of a watering wand according to our new design;

FIG. 2 is a front view thereof;

FIG. 3 is a rear view thereof;

FIG. 4 is a left side view thereof;

FIG. 5 is a right side view thereof;

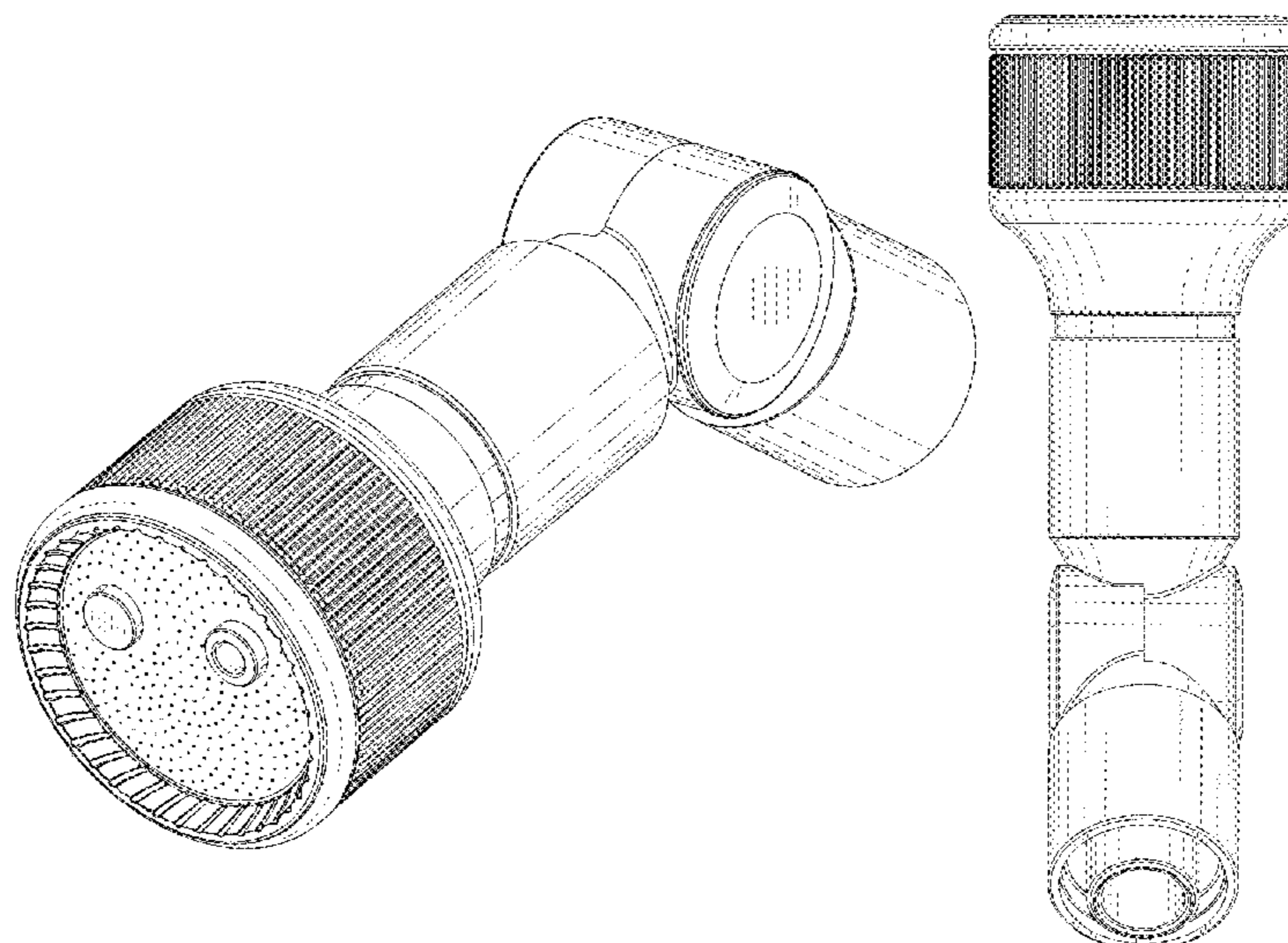
FIG. 6 is a top plan view thereof; and,

FIG. 7 is a bottom plan view thereof.

Conventional shading is illustrated for purposes of highlighting the line drawings, but forms no part of the claimed design.

The broken line shown represents portions of an adjustable watering wand and form no part of the claimed design.

**1 Claim, 7 Drawing Sheets**



(56)

**References Cited**

## U.S. PATENT DOCUMENTS

D846,071	S	*	4/2019	Pease	.....	D23/213
D847,951	S	*	5/2019	Zhang	.....	D23/238
D865,908	S	*	11/2019	Hsieh	.....	D23/213
D865,909	S	*	11/2019	Hsieh	.....	D23/213
D866,707	S	*	11/2019	Eads	.....	D23/213
D866,708	S	*	11/2019	Bahler	.....	D23/213
D867,522	S	*	11/2019	Tentler	.....	D23/213
D867,523	S	*	11/2019	Tentler	.....	D23/213
D867,524	S	*	11/2019	Tentler	.....	D23/213
D867,525	S	*	11/2019	Eads	.....	D23/213
D867,527	S	*	11/2019	Eads	.....	D23/213
D870,234	S	*	12/2019	Judge	.....	D23/213
D870,845	S	*	12/2019	Eads	.....	D23/213
D870,846	S	*	12/2019	Mezzalira	.....	D23/213
D874,613	S	*	2/2020	Park	.....	D23/238
D876,581	S	*	2/2020	Hsieh	.....	D23/213
D892,271	S	*	8/2020	Urry	.....	D23/223
D892,272	S	*	8/2020	Urry	.....	D23/223
2007/0252022	A1	*	11/2007	Benstead	.....	B05B 1/1618 239/590.5
2016/0136659	A1	*	5/2016	Erickson	.....	B05B 1/1618 239/443

## OTHER PUBLICATIONS

“[Melnor-R821-RelaxGrip]” [May 9, 2019], [Amazon.com], [Feb. 27, 2021]: [URL] [https://www.amazon.com/Melnor-R821-RelaxGrip-Thumb-Control-8-Pattern/dp/B07LFXWFQQ/ref=sr\\_1\\_275?dchild=1&keywords=water+nozzle&qid=1614455905&sr=8-275](https://www.amazon.com/Melnor-R821-RelaxGrip-Thumb-Control-8-Pattern/dp/B07LFXWFQQ/ref=sr_1_275?dchild=1&keywords=water+nozzle&qid=1614455905&sr=8-275) (Year: 2019).\*

\* cited by examiner

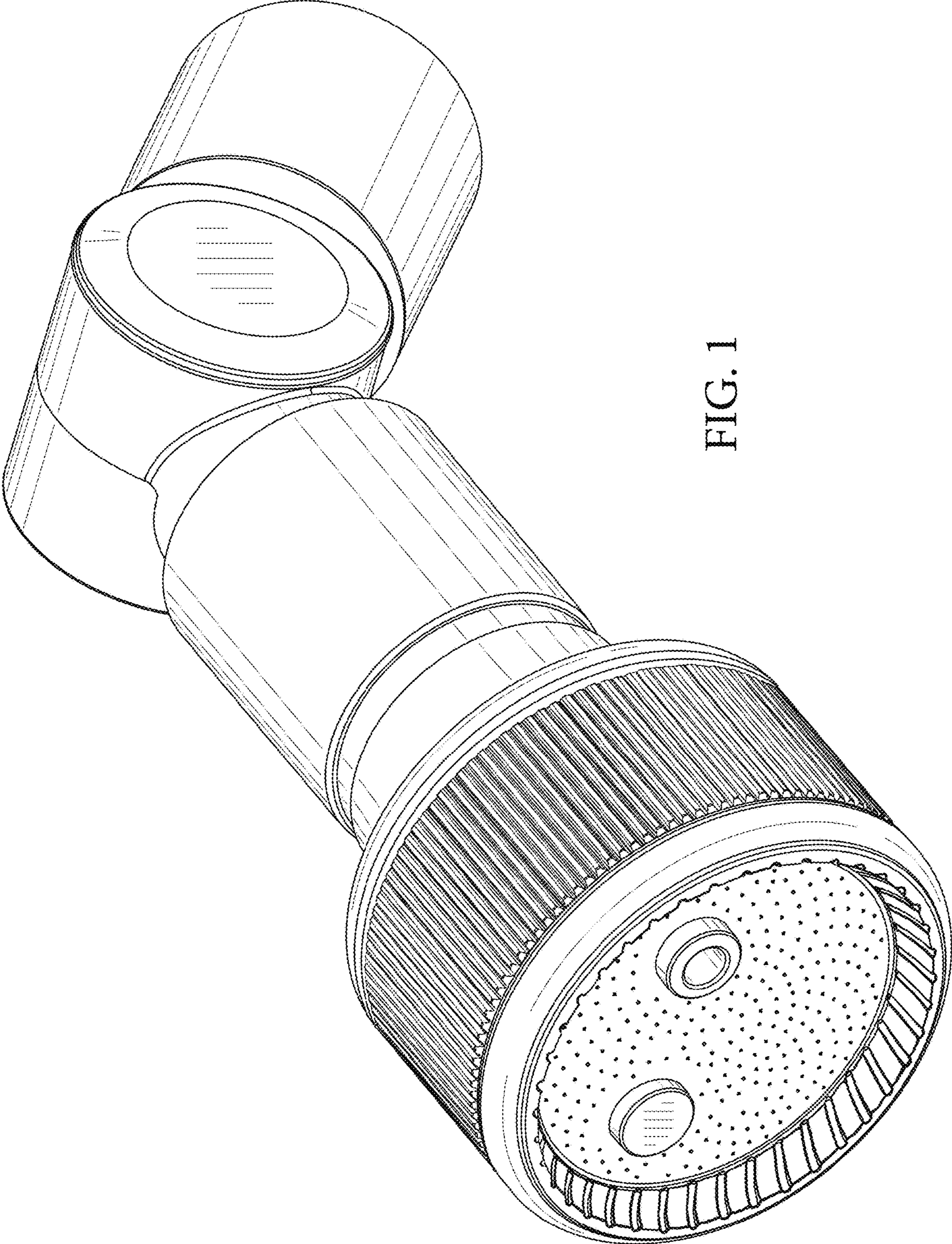


FIG. 1

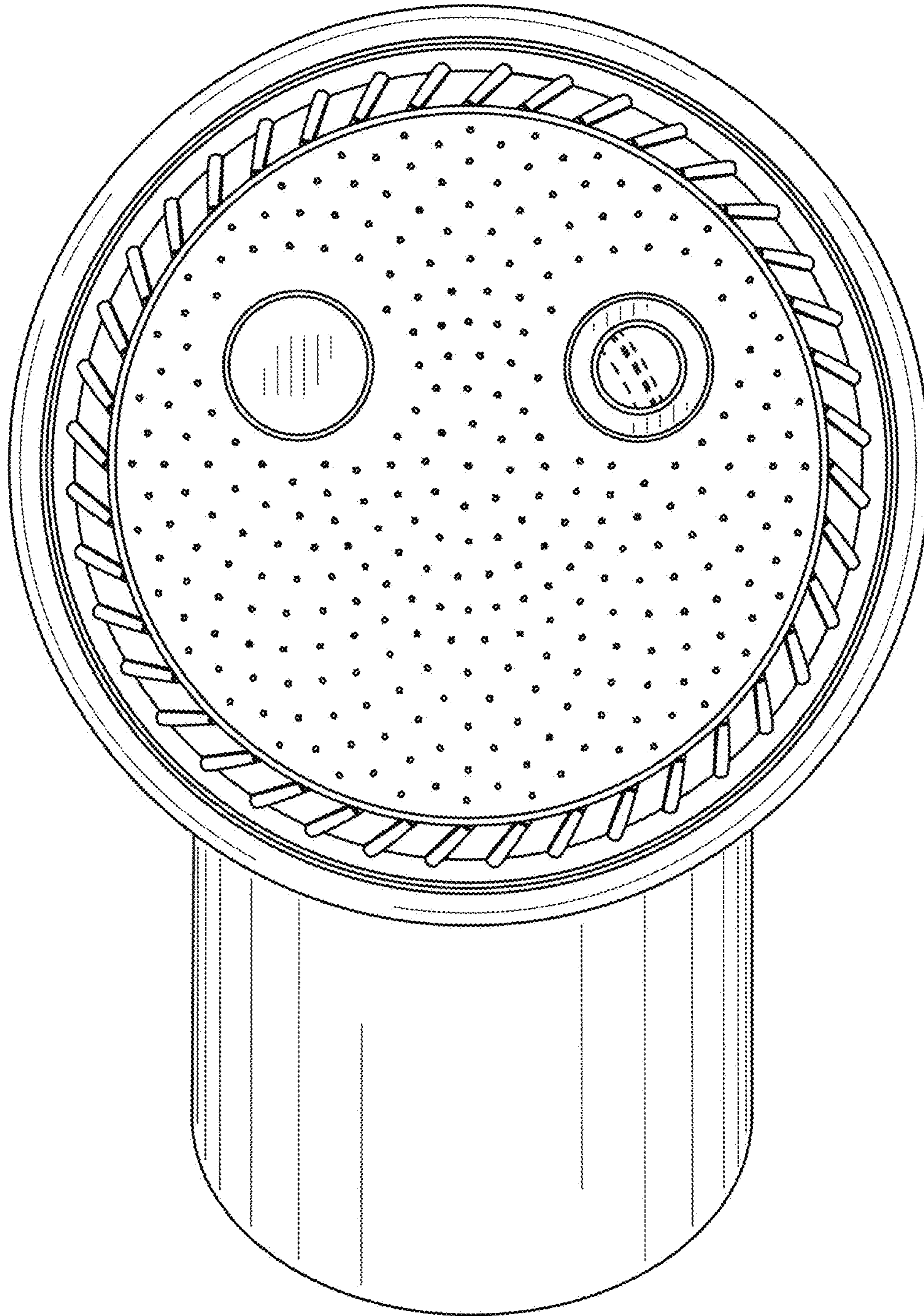


FIG. 2

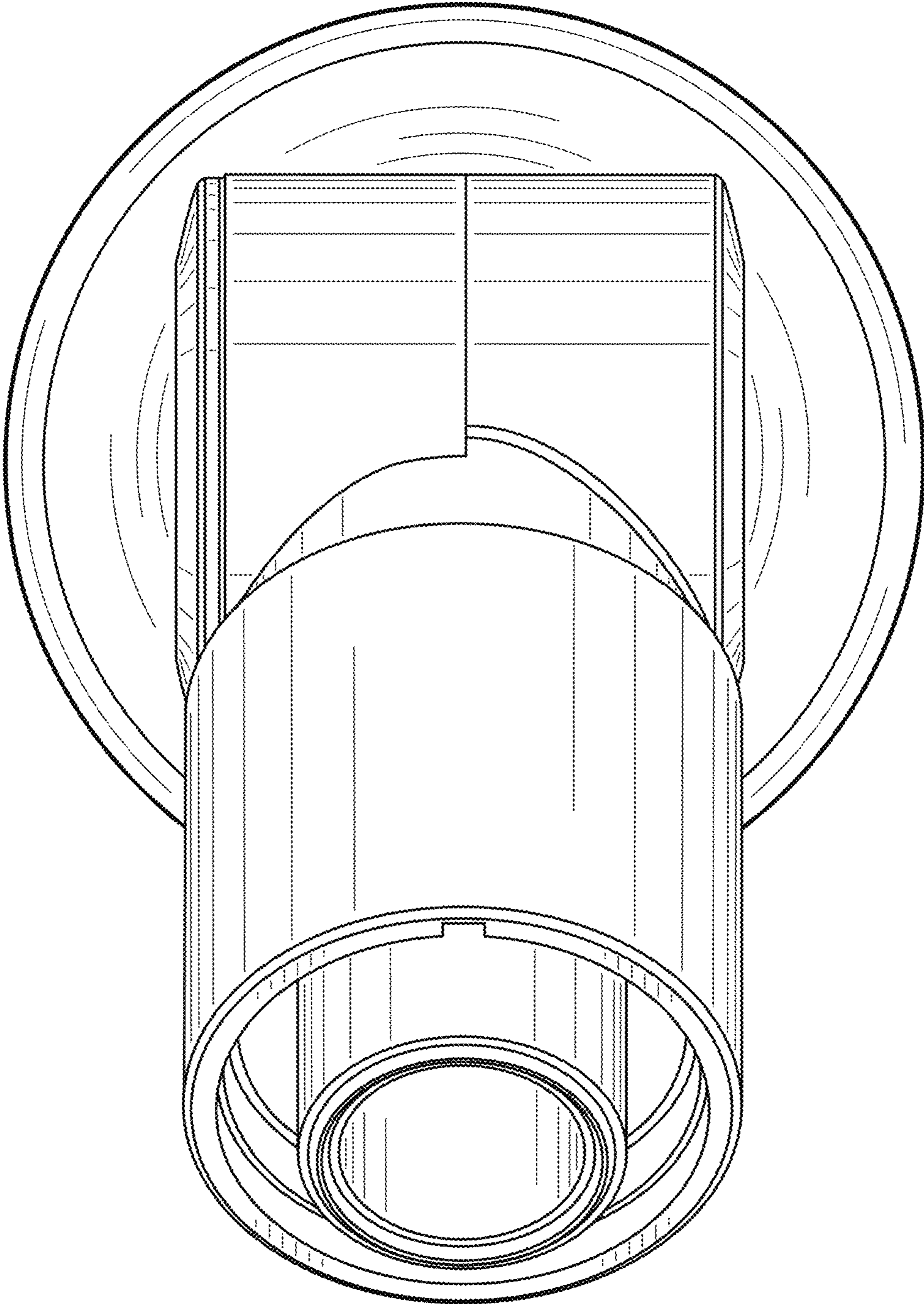


FIG. 3

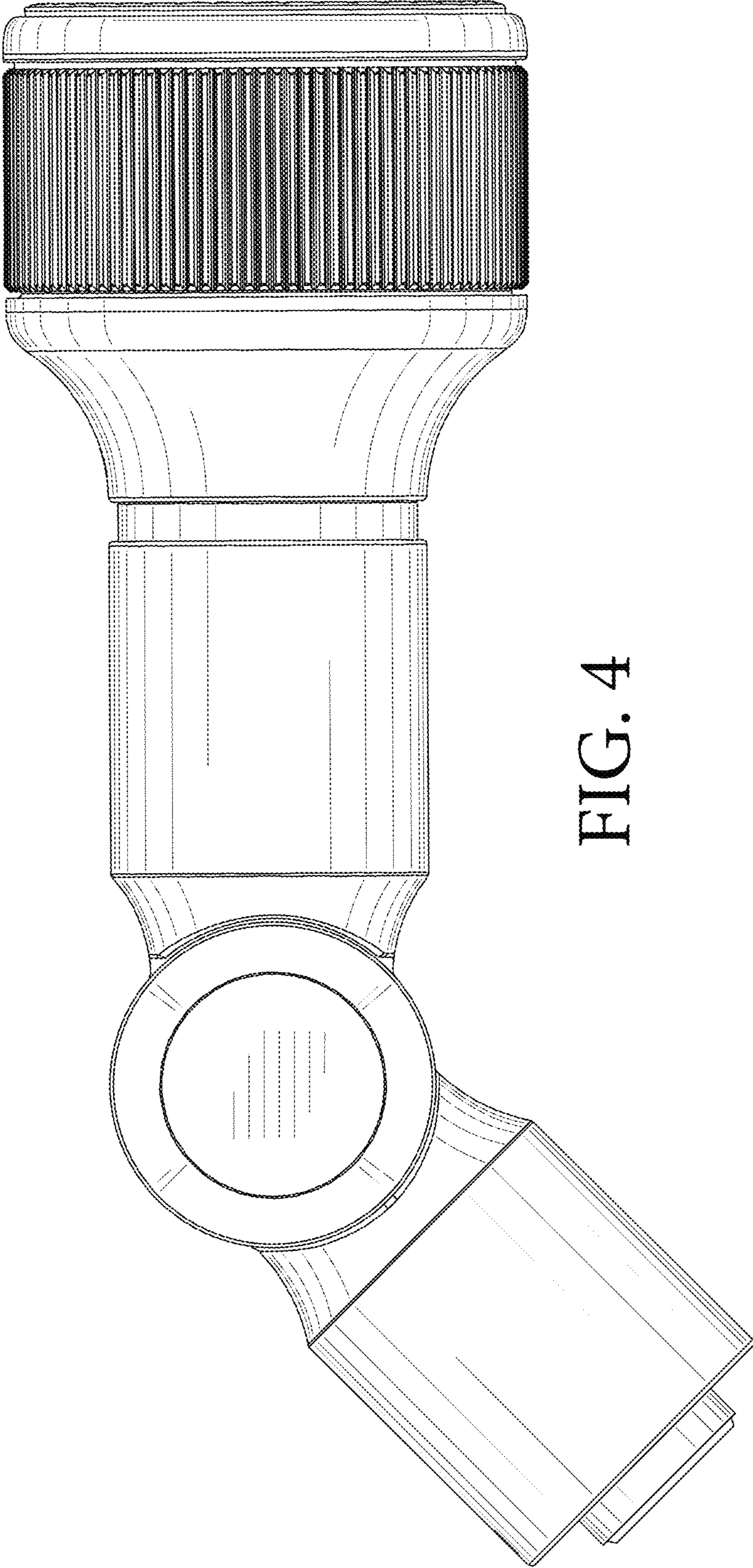


FIG. 4

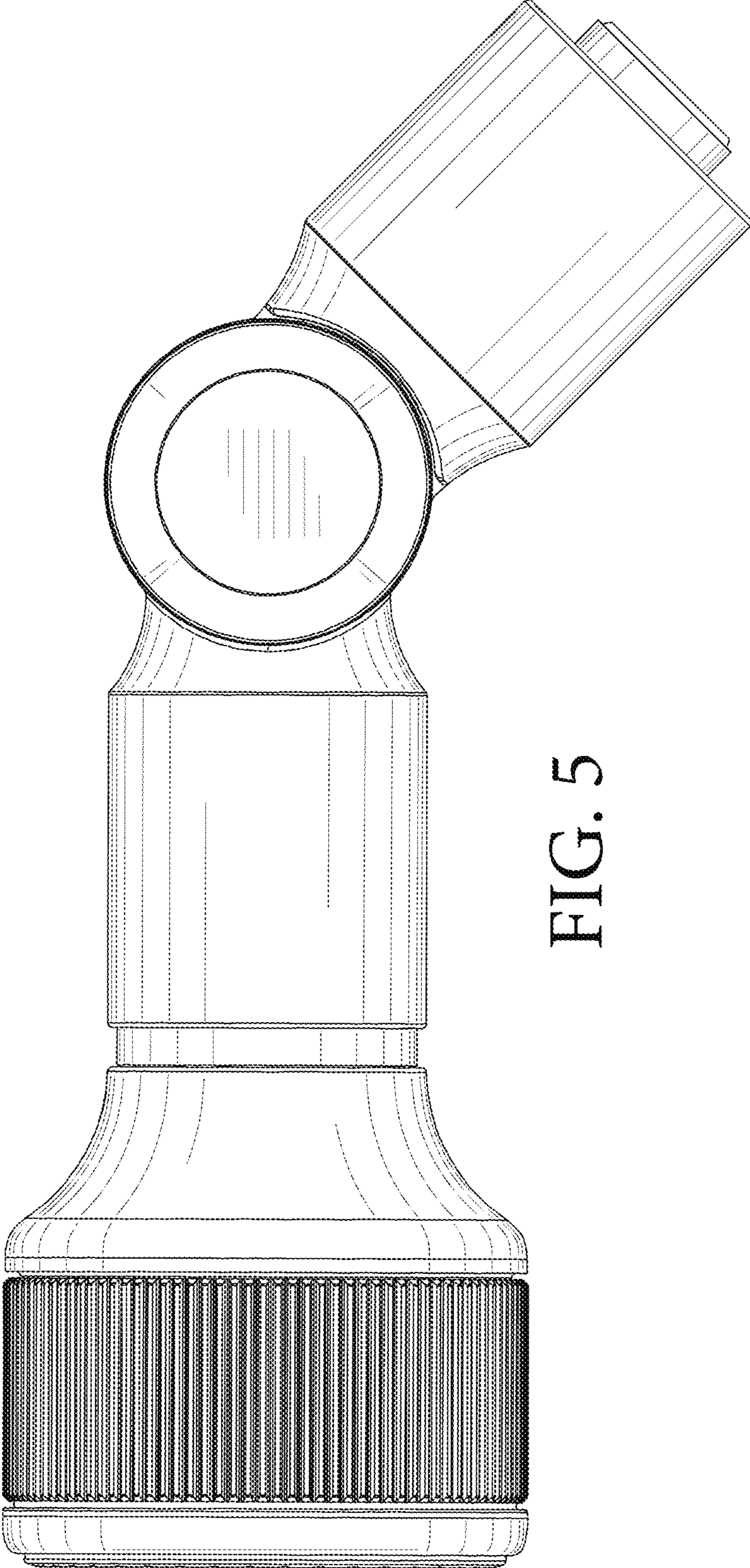


FIG. 5

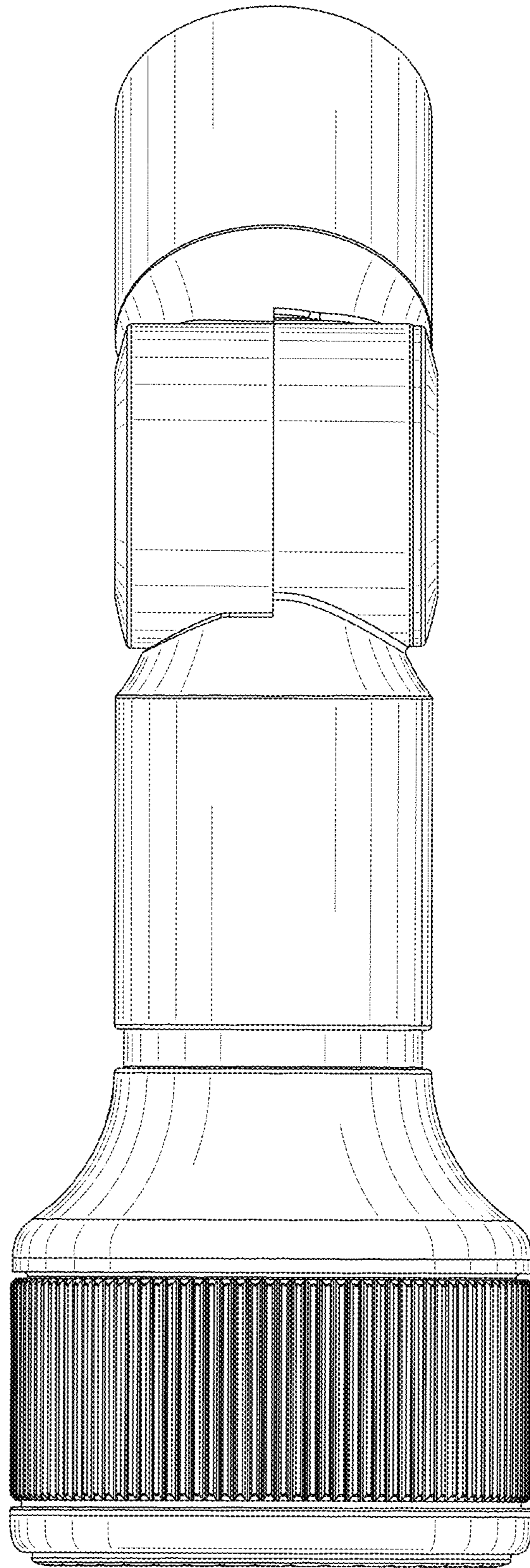


FIG. 6



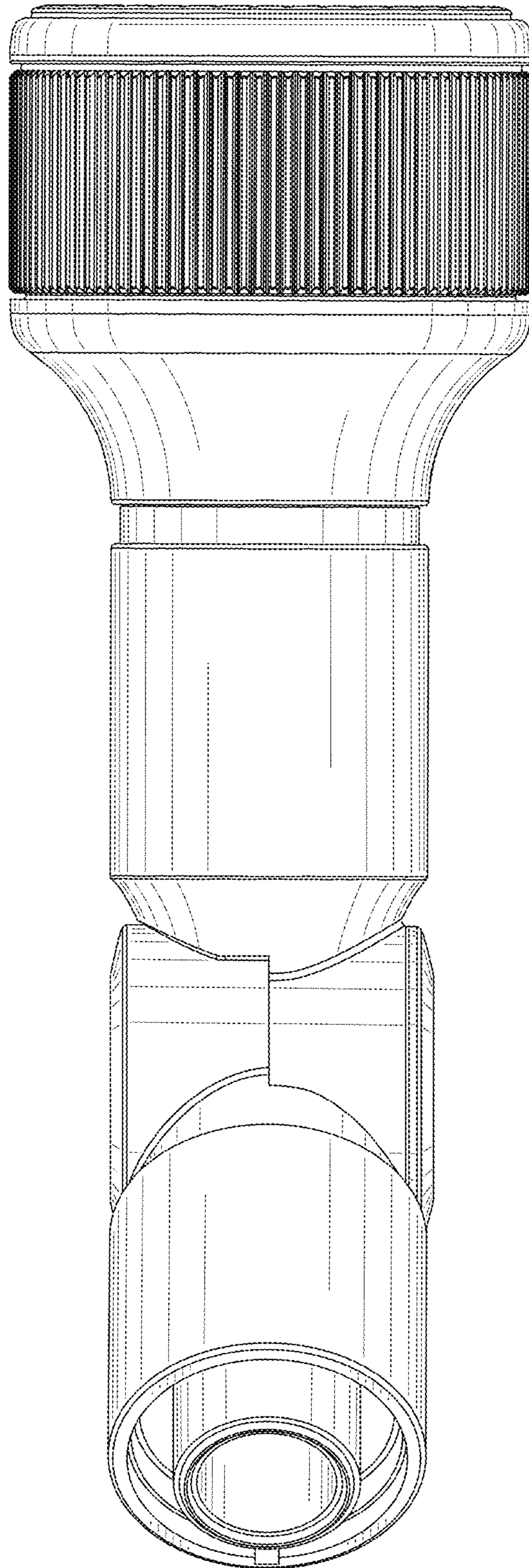


FIG. 7