



US00D934378S

(12) **United States Design Patent**
Masalin et al.

(10) **Patent No.:** **US D934,378 S**

(45) **Date of Patent:** **** Oct. 26, 2021**

(54) **WATERING WAND**

(71) Applicant: **Fiskars Finland Oy Ab**, Helsinki (FI)

(72) Inventors: **Petteri Masalin**, Helsinki (FI); **Sami Lyytikäinen**, Helsinki (FI); **Timo Sutinen**, Helsinki (FI)

(73) Assignee: **FISKARS FINLAND OY AB**, Helsinki (FI)

(**) Term: **15 Years**

(21) Appl. No.: **29/698,461**

(22) Filed: **Jul. 17, 2019**

(30) **Foreign Application Priority Data**

Jan. 22, 2019 (EM) 006081139

(51) **LOC (13) Cl.** **23-01**

(52) **U.S. Cl.**
USPC **D23/213**

(58) **Field of Classification Search**
USPC D23/207, 213, 214, 215, 223, 224, 226, 223/229, 230
CPC A61H 9/0021; A61H 33/00; B05B 1/00; B05B 1/14; B05B 1/185; B05B 1/08; B05B 1/02; B05B 1/26; B05B 12/002; B05B 1/18; B05B 9/01
See application file for complete search history.

(56) **References Cited**

U.S. PATENT DOCUMENTS

D384,484 S *	9/1997	Ibarra	D23/213
D412,557 S *	8/1999	Palestrant	D23/214
D487,135 S *	2/2004	Lord	D23/245
D519,190 S *	4/2006	Lord	D23/238
D522,614 S *	6/2006	Ko	D23/213
D535,357 S *	1/2007	Zhou	D23/238
D541,375 S *	4/2007	Buttgen	D23/213
D545,403 S *	6/2007	Kemp	D23/213

D550,326 S *	9/2007	Huang	D23/213
D580,023 S *	11/2008	Gilbert	D23/255
D583,015 S *	12/2008	Soriano	D23/249
D639,386 S *	6/2011	Cummings	D23/213
D668,743 S *	10/2012	Kennedy	D23/213
D713,508 S *	9/2014	Downey	D23/238

(Continued)

OTHER PUBLICATIONS

<https://www.fiskars.eu/products/gardening/watering/hose-nozzle-1027088> (Year: 2020).*

(Continued)

Primary Examiner — Jack Reickel

Assistant Examiner — Keith J Wilson

(74) *Attorney, Agent, or Firm* — Leason Ellis LLP

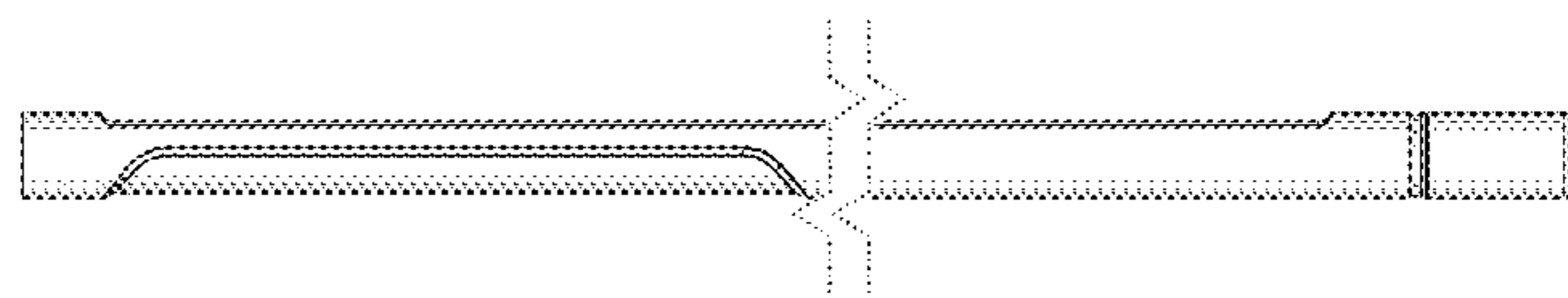
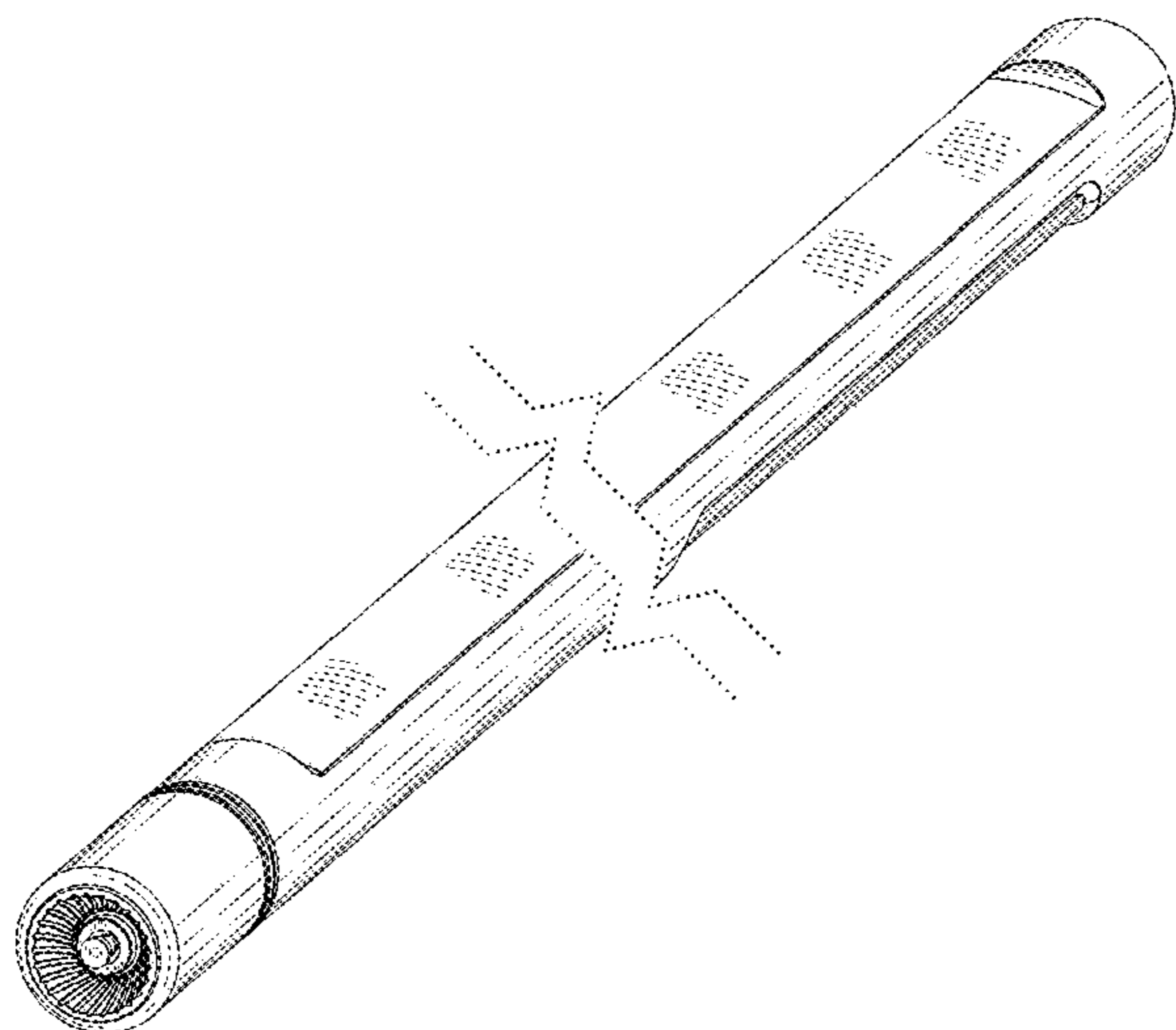
(57) **CLAIM**

The ornamental design for a watering wand, as shown and described.

DESCRIPTION

FIG. 1 is a top perspective view of a watering wand according to our new design; FIG. 2 is a front view thereof; FIG. 3 is a rear view thereof; FIG. 4 is a left side view thereof; FIG. 5 is a right side view thereof; FIG. 6 is a top plan view thereof; and, FIG. 7 is a bottom plan view thereof. The broken line shown represents portions of an adjustable watering nozzle and form no part of the claimed design. The jagged broken lines are break lines. The appearance of any portion of the article between the break lines forms no part of the claimed design. Conventional shading is illustrated for purposes of highlighting the line drawings, but forms no part of the claimed design.

1 Claim, 7 Drawing Sheets



(56)

References Cited

U.S. PATENT DOCUMENTS

D719,242 S * 12/2014 Kim D23/255
 D754,301 S * 4/2016 Bahler D23/255
 D758,552 S * 6/2016 Rexach D23/255
 D797,257 S * 9/2017 Potter D23/255
 D802,091 S * 11/2017 Bahler D23/213
 D805,611 S * 12/2017 Rexach D23/257
 D819,169 S * 5/2018 Osborne D23/213
 D842,429 S * 3/2019 Huang D23/213
 D842,430 S * 3/2019 Huang D23/213
 D847,951 S * 5/2019 Zhang D23/238
 D866,707 S * 11/2019 Eads D23/213
 D866,708 S * 11/2019 Bahler D23/213
 D867,522 S * 11/2019 Tentler D23/213
 D867,523 S * 11/2019 Tentler D23/213
 D867,524 S * 11/2019 Tentler D23/213
 D867,525 S * 11/2019 Eads D23/213
 D867,527 S * 11/2019 Eads D23/213
 D870,234 S * 12/2019 Judge D23/213

D870,845 S * 12/2019 Eads D23/213
 D871,543 S * 12/2019 Bundy D23/213
 D873,957 S * 1/2020 Daudish D23/223
 D874,613 S * 2/2020 Park D23/238
 D894,338 S * 8/2020 Lai D23/213
 D895,065 S * 9/2020 Lai D23/213
 D905,822 S * 12/2020 Ciura D23/226
 2007/0252022 A1 * 11/2007 Benstead B05B 1/1618
 239/590.5
 2016/0136659 A1 * 5/2016 Erickson B05B 1/1618
 239/443

OTHER PUBLICATIONS

“[Steel-Low-Air-Supply-Nozzl]” [Feb. 13, 2017], [tptools.com],
 [Feb. 27, 2021]: [URL] https://www.tptools.com/Skat-Blast-Small-Steel-Low-Air-Supply-Nozzle-Combo-Pack,8116.html?b=d*8024https://www.amazon.com/Dramm-12343-Heavy-Duty-Aluminum-Breaker/dp/B001O83LMQ/ (Year: 2017).*

* cited by examiner

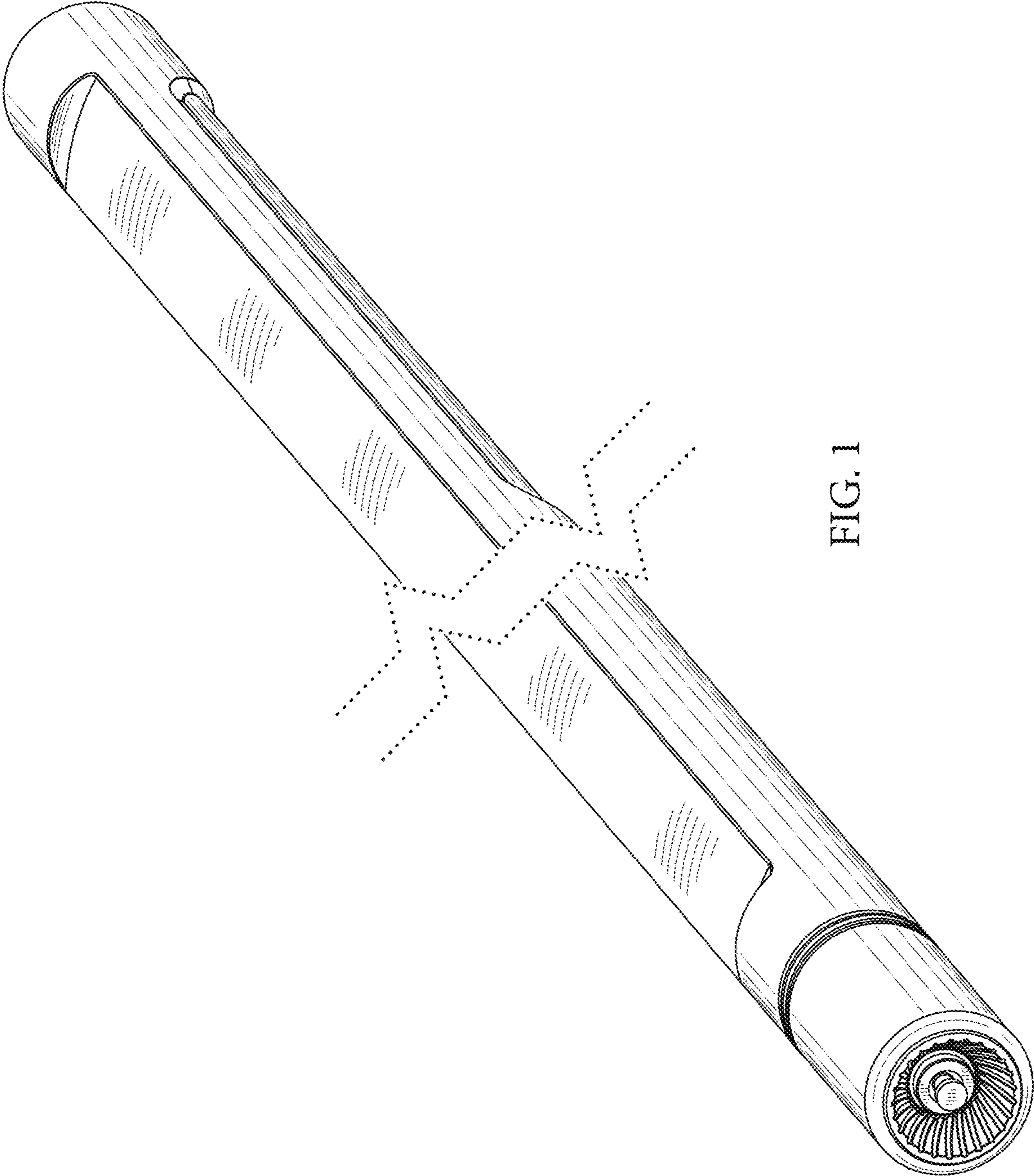


FIG. 1

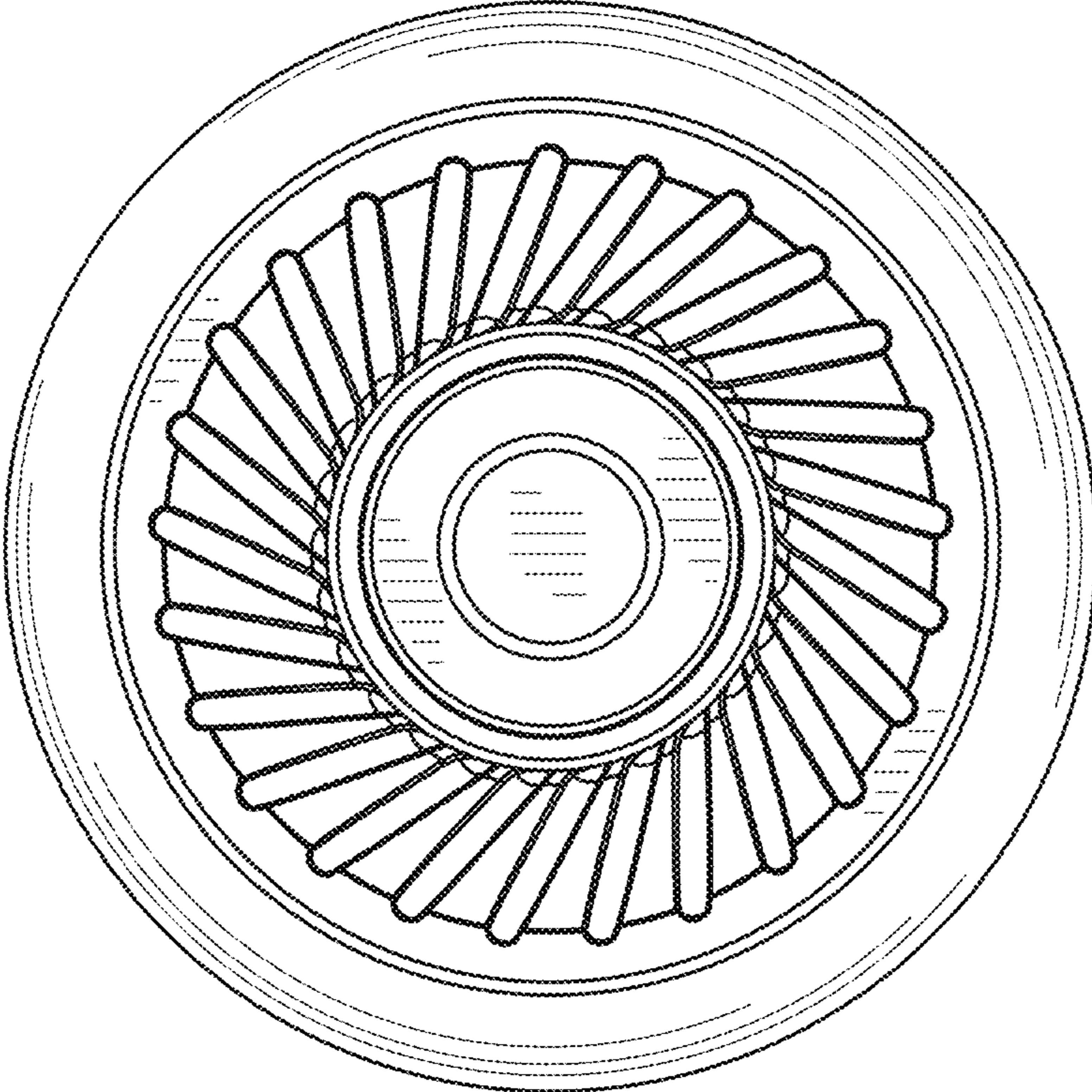


FIG. 2

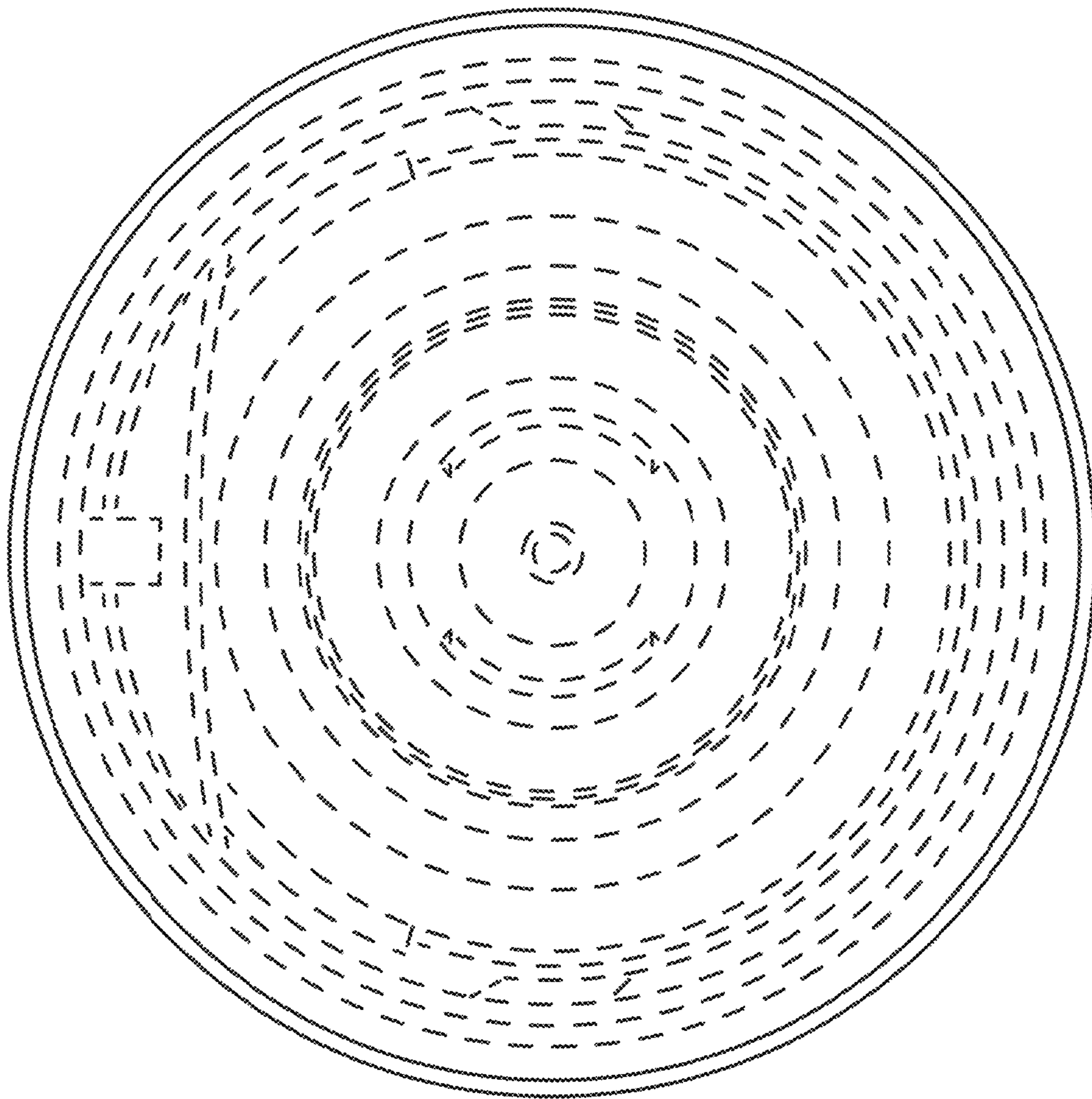


FIG. 3

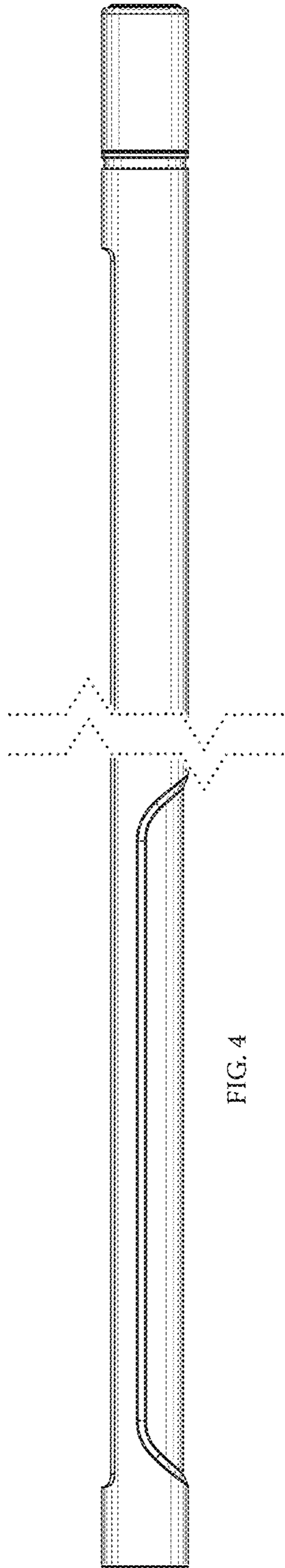


FIG. 4

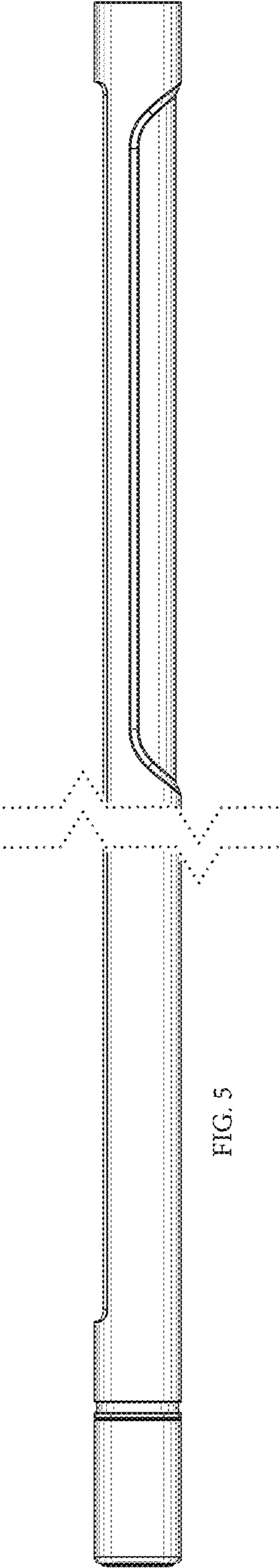


FIG. 5

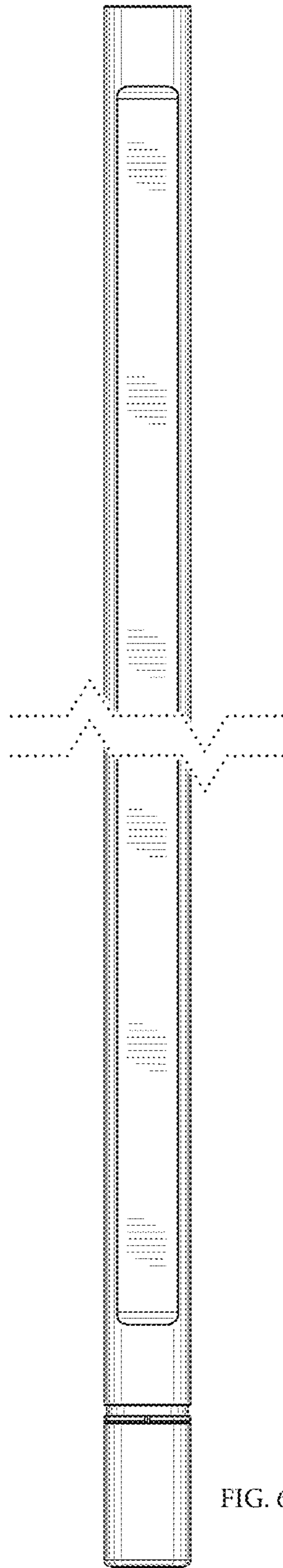


FIG. 6

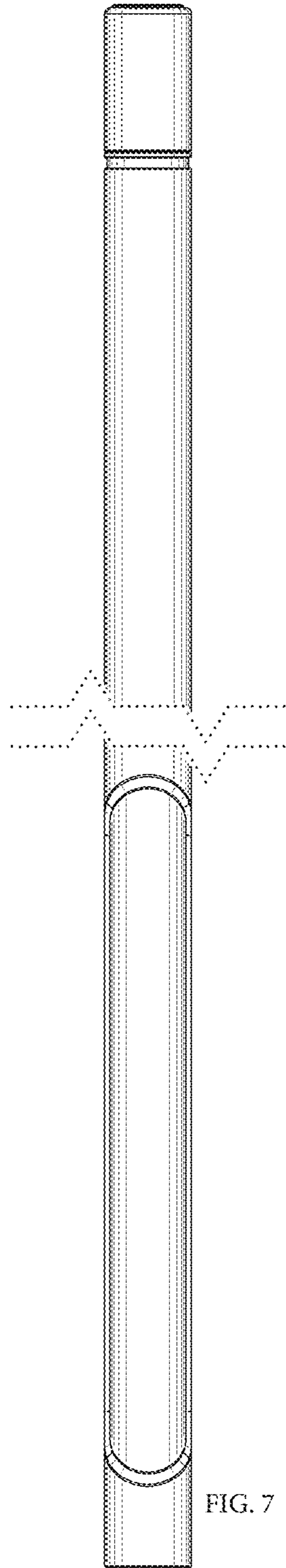


FIG. 7