



US00D934377S

(12) **United States Design Patent** (10) **Patent No.:** **US D934,377 S**  
**Schuler et al.** (45) **Date of Patent:** **\*\* Oct. 26, 2021**

(54) **LID FOR A FILTER CARTRIDGE**

OTHER PUBLICATIONS

(71) Applicant: **BRITA GMBH**, Taunusstein (DE)  
(72) Inventors: **Tobias Schuler**, Dreieich (DE); **Phillip Bunnemann**, Dornburg (DE); **Falk Schuricht**, Wiesbaden (DE); **Emre Oguz**, Hattersheim (DE)  
(73) Assignee: **BRITA GMBH**, Taunusstein (DE)  
(\*\*) Term: **15 Years**

Amazon Basics Filter found on Apr. 14, 2021 at <https://www.amazon.com/AmazonBasics-Replacement-Water-Filters-Pitchers/dp/B07YT16TMS/> (Year: 2020).\*

\* cited by examiner

*Primary Examiner* — Karen S Acker

*Assistant Examiner* — Jonathan E Fiencke

(74) *Attorney, Agent, or Firm* — Hudak, Shunk & Farine Co. LPA

(21) Appl. No.: **29/712,463**

(22) Filed: **Nov. 8, 2019**

(51) **LOC (13) Cl.** ..... **23-01**

(52) **U.S. Cl.**  
USPC ..... **D23/209**

(58) **Field of Classification Search**  
USPC ..... D23/207, 209, 213, 365  
CPC .... B01D 35/30; B01D 35/153; B01D 29/111;  
C02F 1/003

See application file for complete search history.

(56) **References Cited**

U.S. PATENT DOCUMENTS

D528,630 S *	9/2006	Booth	.....	D23/209
D562,430 S *	2/2008	Slawomir	.....	D23/209
D565,149 S *	3/2008	Slawomir	.....	D23/209
D565,694 S *	4/2008	Slawomir	.....	D23/209
D566,808 S *	4/2008	Slawomir	.....	D23/209
D590,475 S *	4/2009	Bell	.....	D23/209
8,043,502 B2 *	10/2011	Nauta	.....	C02F 1/003 210/232
D674,464 S *	1/2013	Wilder	.....	D23/209
D726,869 S *	4/2015	Lepine	.....	D23/209
D795,995 S *	8/2017	Zou	.....	D23/209
D795,997 S *	8/2017	Zou	.....	D23/209
D846,069 S *	4/2019	Zou	.....	D23/209
D858,695 S *	9/2019	Chen	.....	D23/209

FOREIGN PATENT DOCUMENTS

RU 2008503844 \* 1/2010

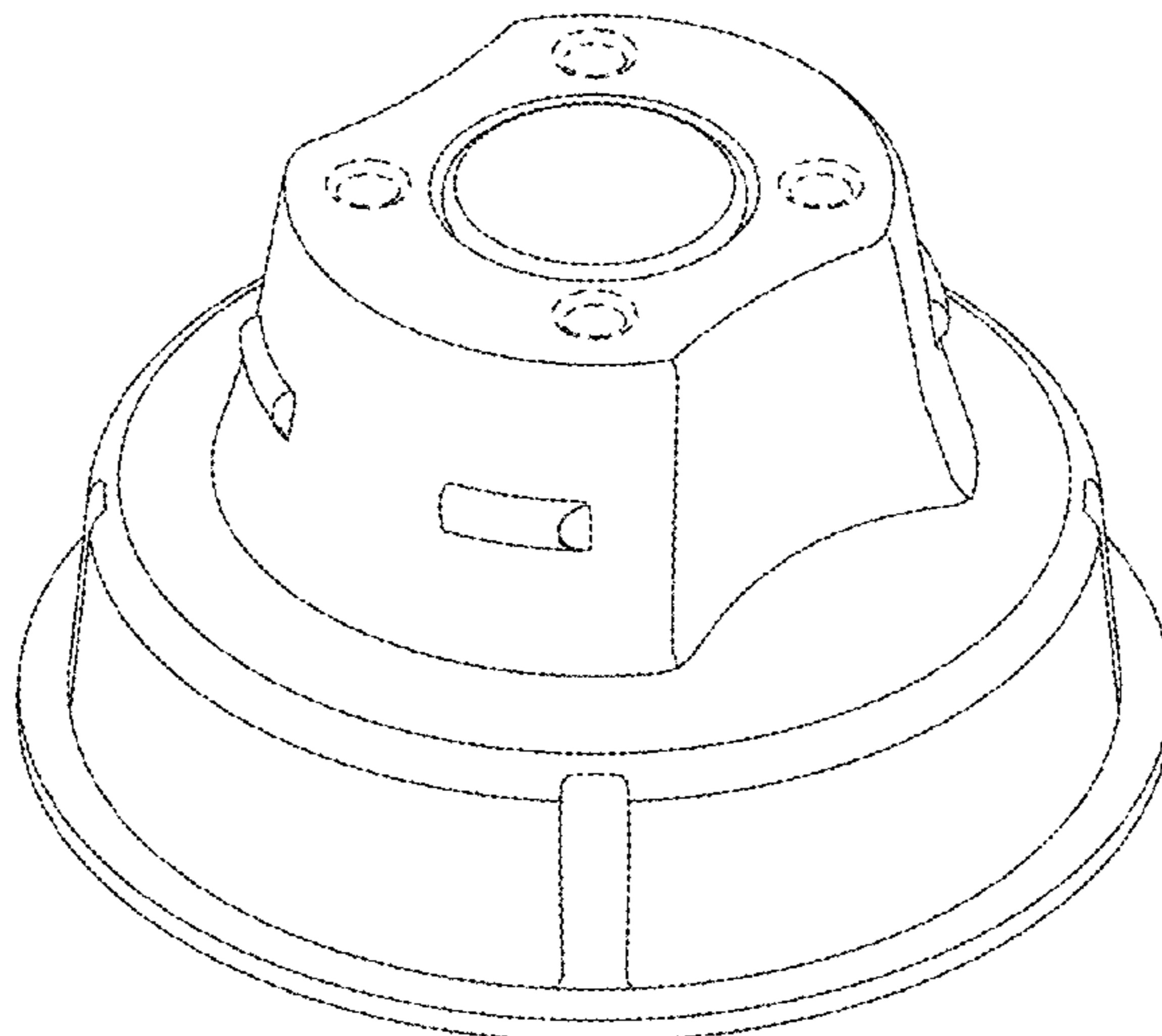
(57) **CLAIM**

The ornamental design for a lid for a filter cartridge, as shown and described.

**DESCRIPTION**

FIG. 1 is a left, front perspective view of a lid for a filter cartridge showing our new design;  
FIG. 2 is a front view, wherein the rear view is identical thereto;  
FIG. 3 is a left-side view thereof, wherein the right-side view is identical thereto;  
FIG. 4 is a top view thereof;  
FIG. 5 is a left, front perspective view of the lid for a filter cartridge in a position of use as part of an unclaimed filter cartridge;  
FIG. 6 is a front view thereof;  
FIG. 7 is a rear view thereof;  
FIG. 8 is a left view thereof;  
FIG. 9 is a right view thereof; and,  
FIG. 10 is a top view thereof.  
The broken lines at the bottom of the article in FIGS. 5-10 depict the environmental structure of a filter that forms no part of the claimed design. All other broken lines in the figures depict portions of the lid for a filter cartridge that form no part of the claimed design.

**1 Claim, 10 Drawing Sheets**



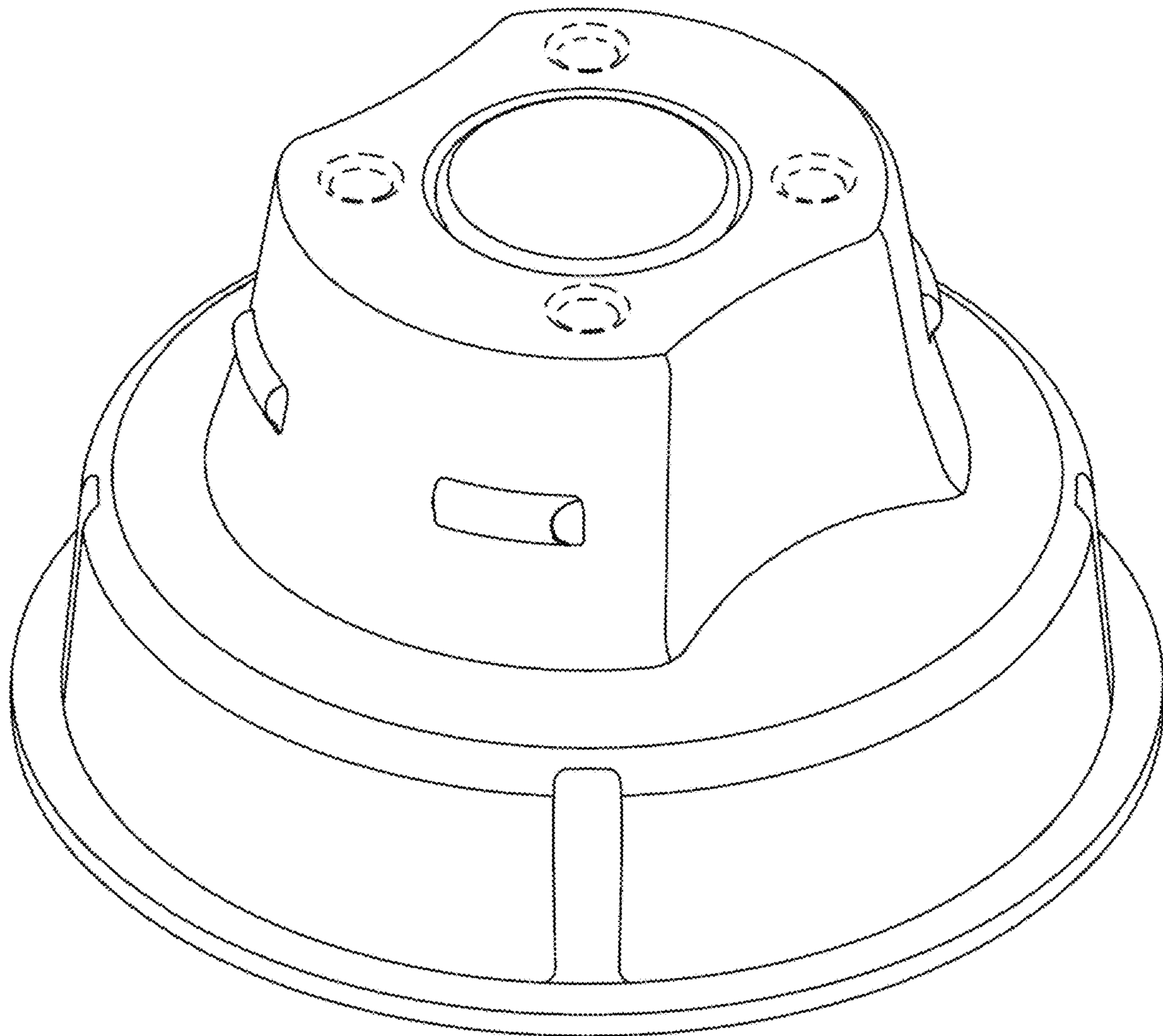


FIG. 1

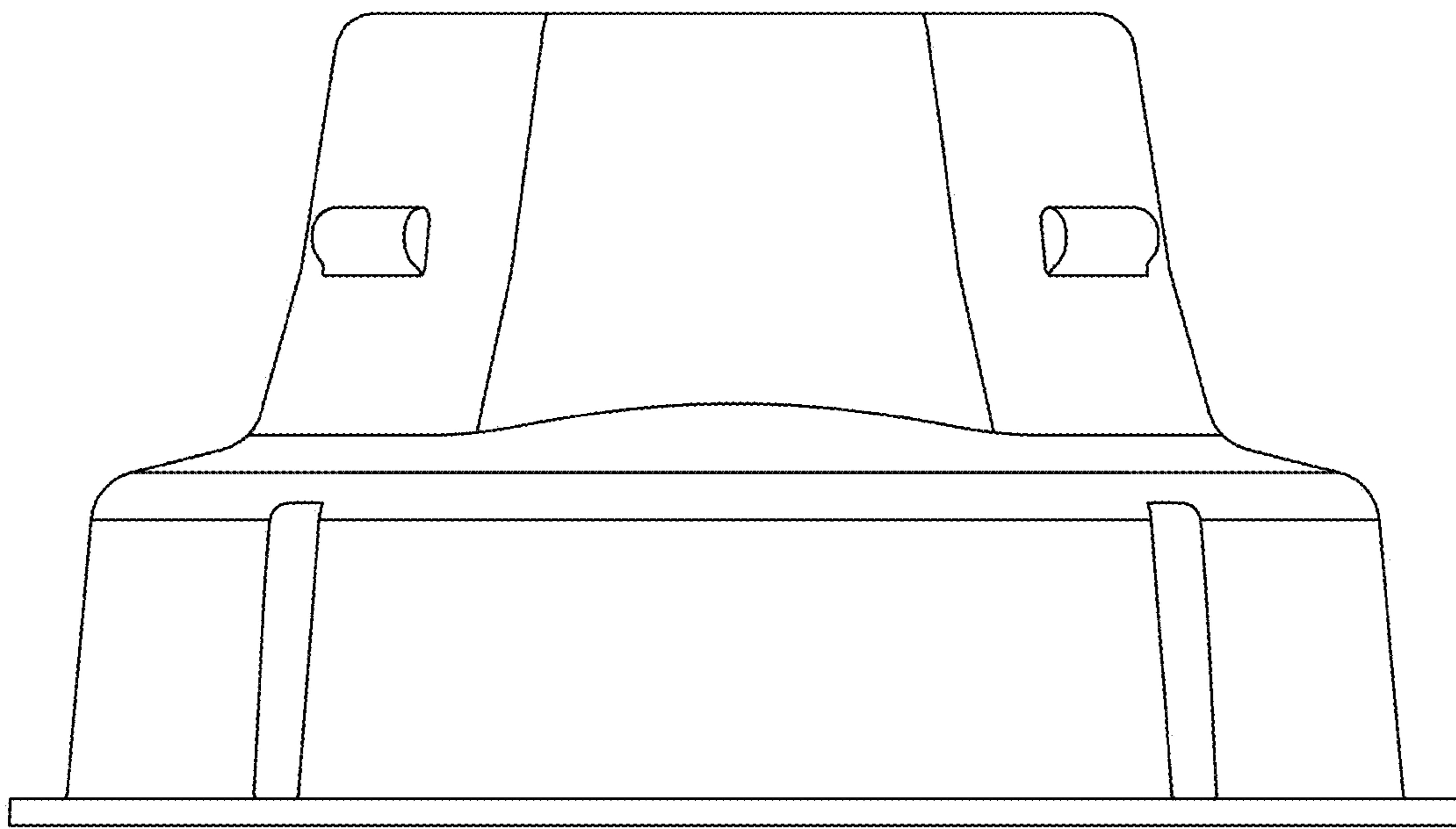


FIG. 2

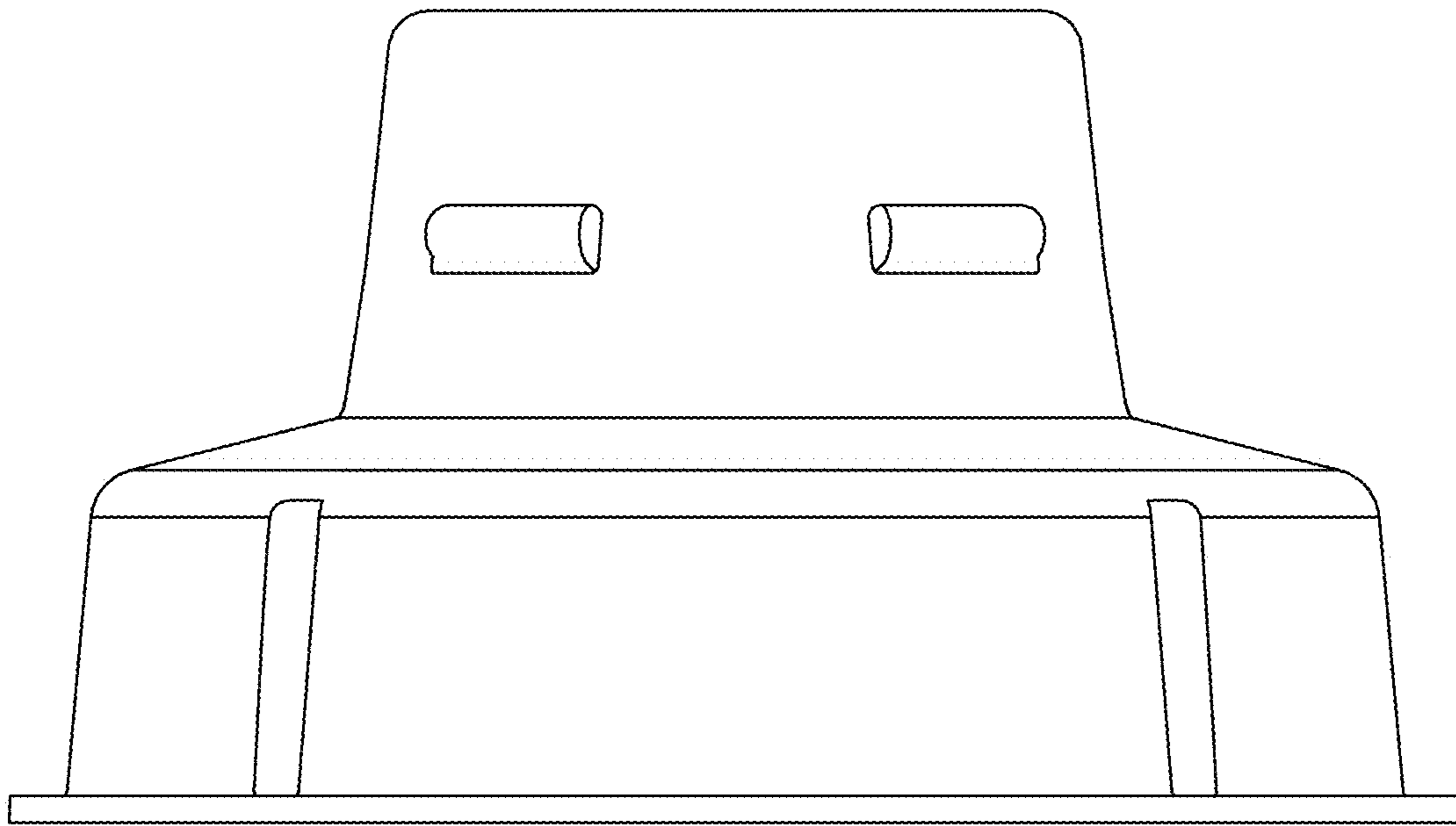


FIG. 3

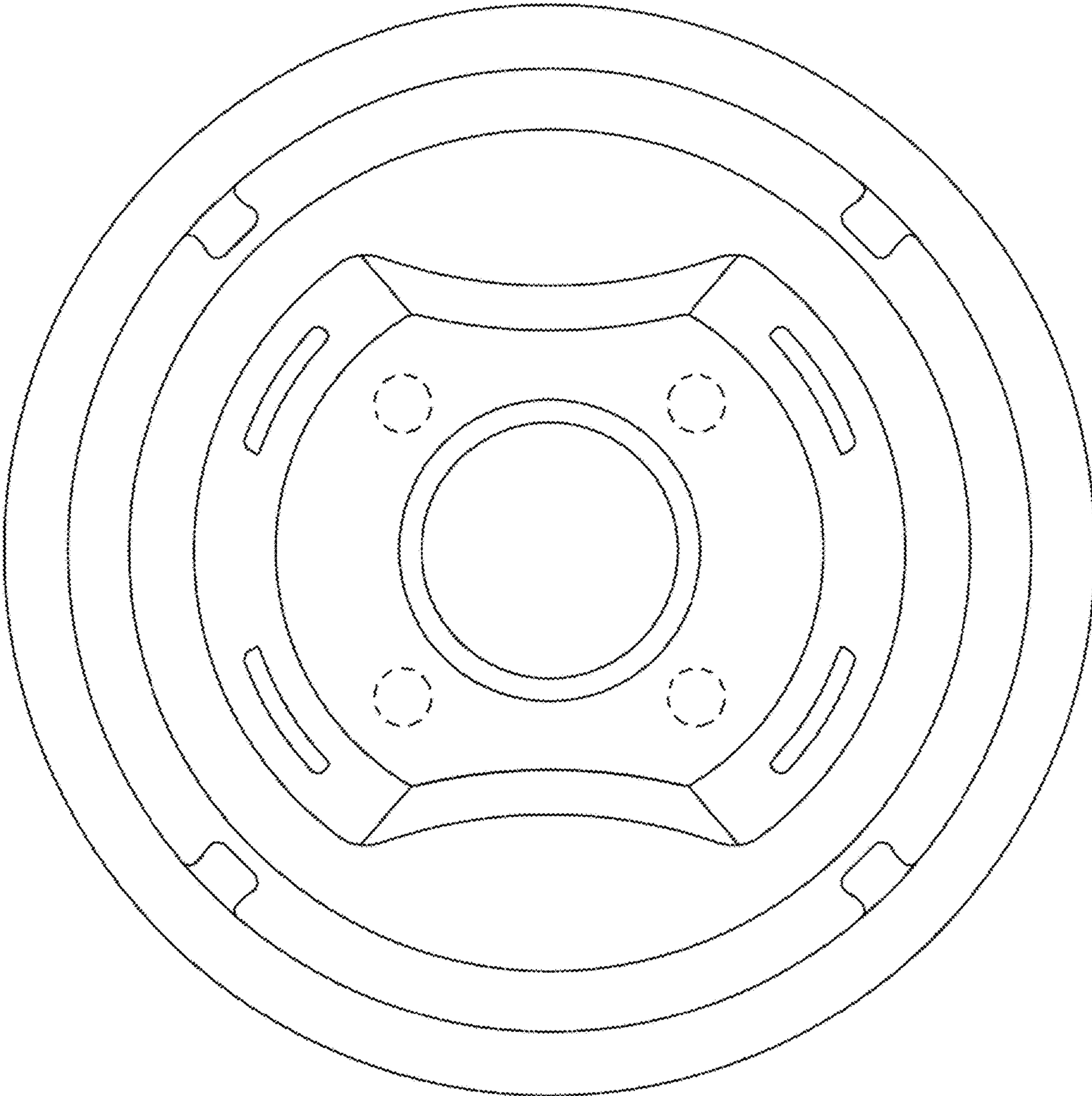


FIG. 4

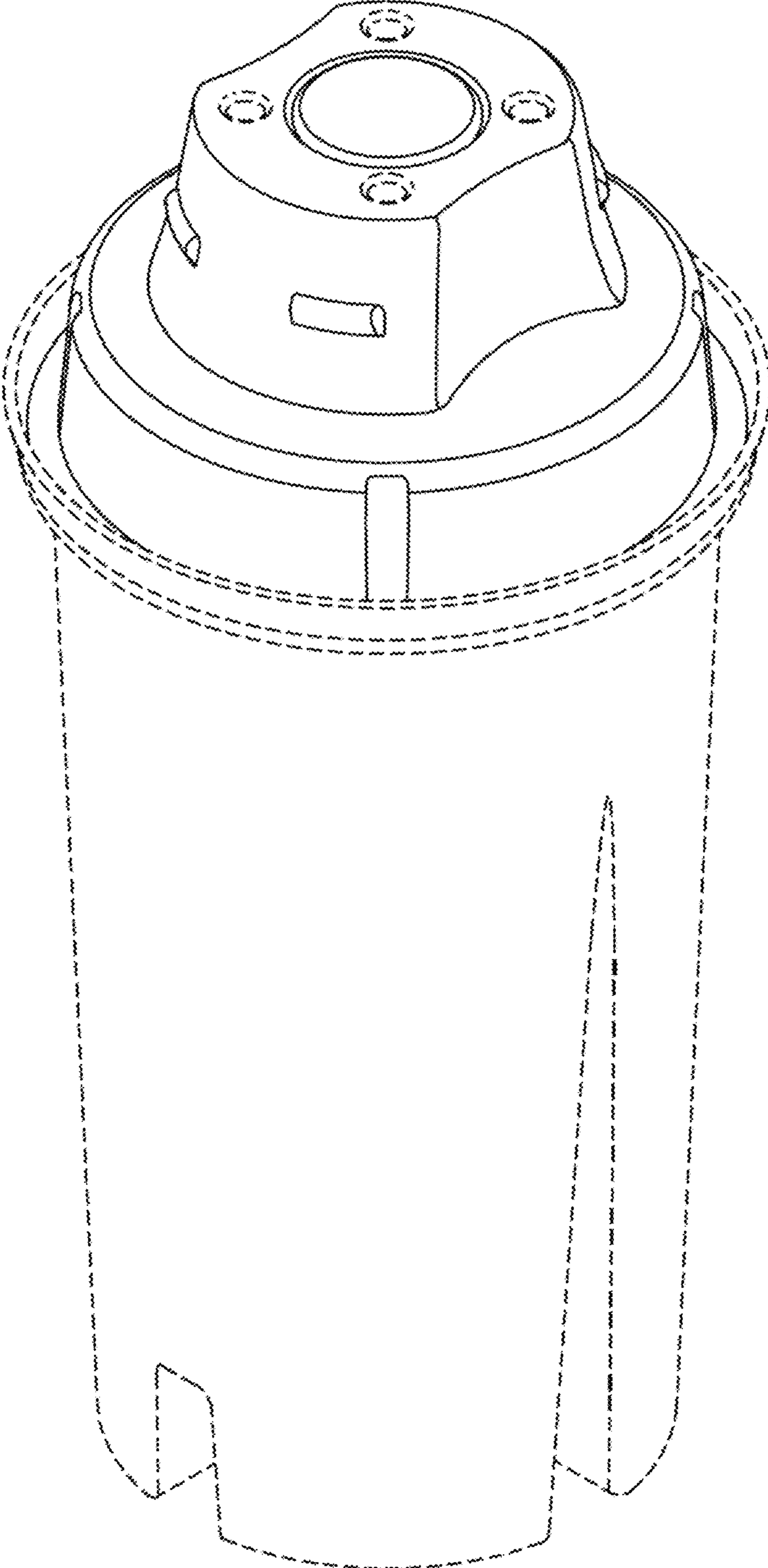


FIG. 5

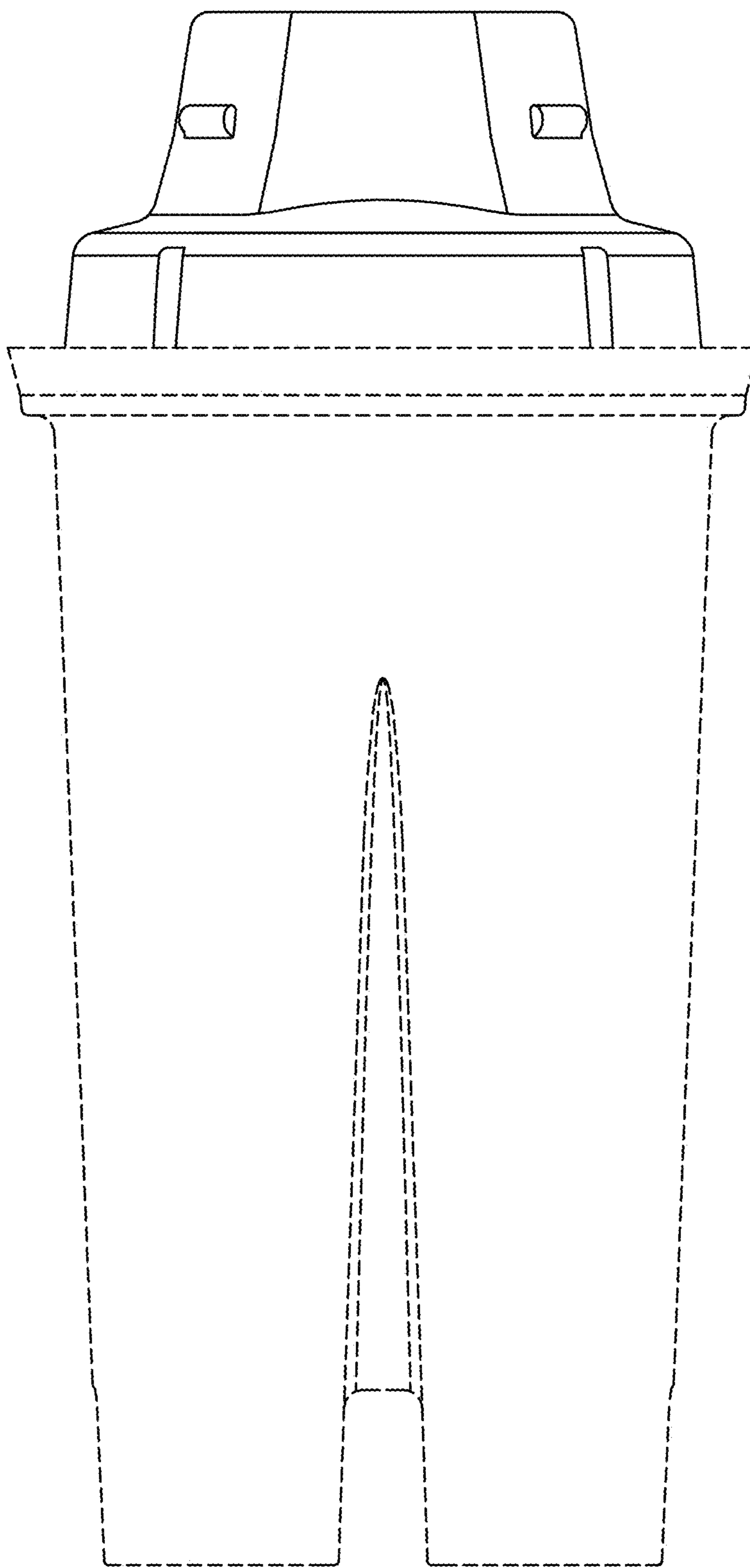


FIG. 6

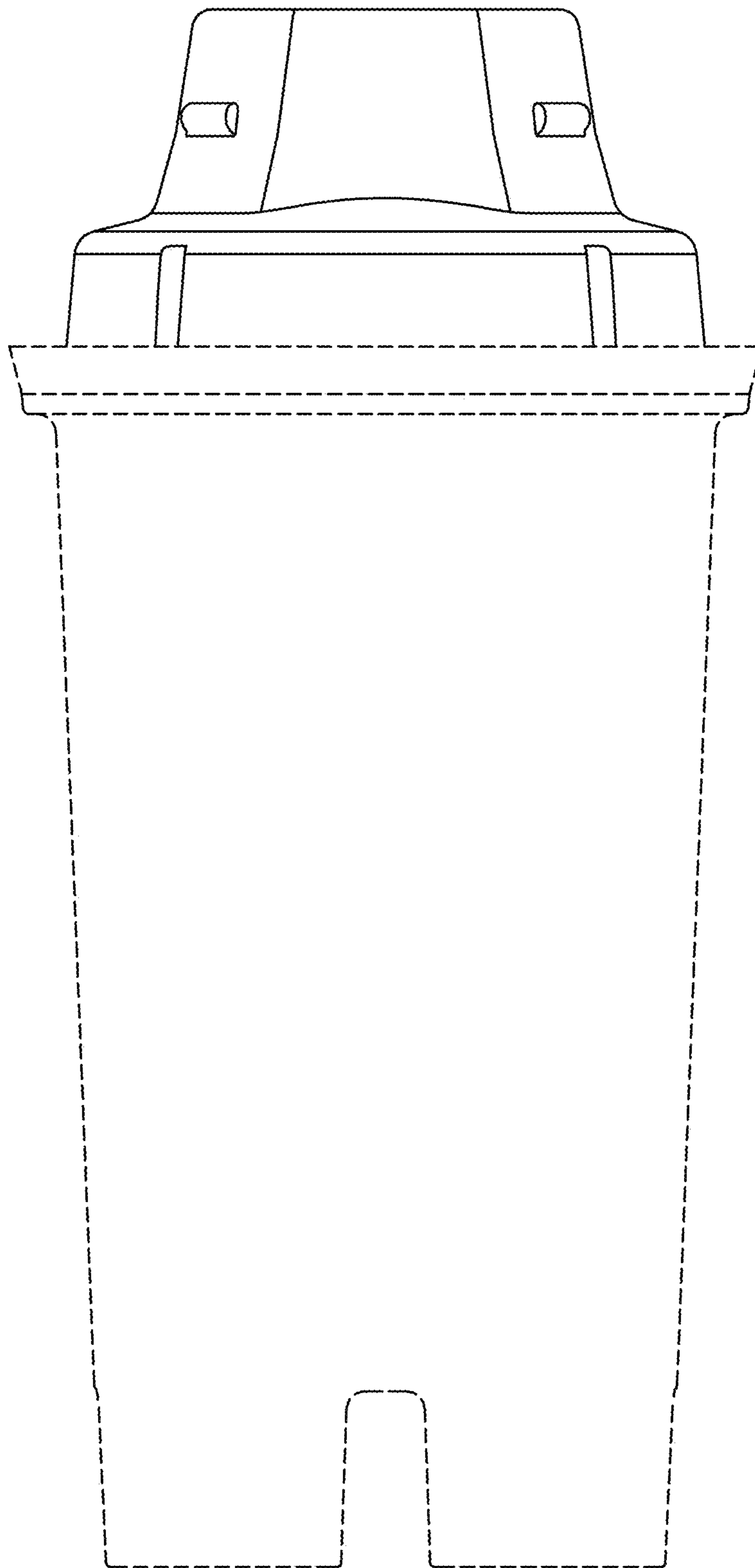


FIG. 7



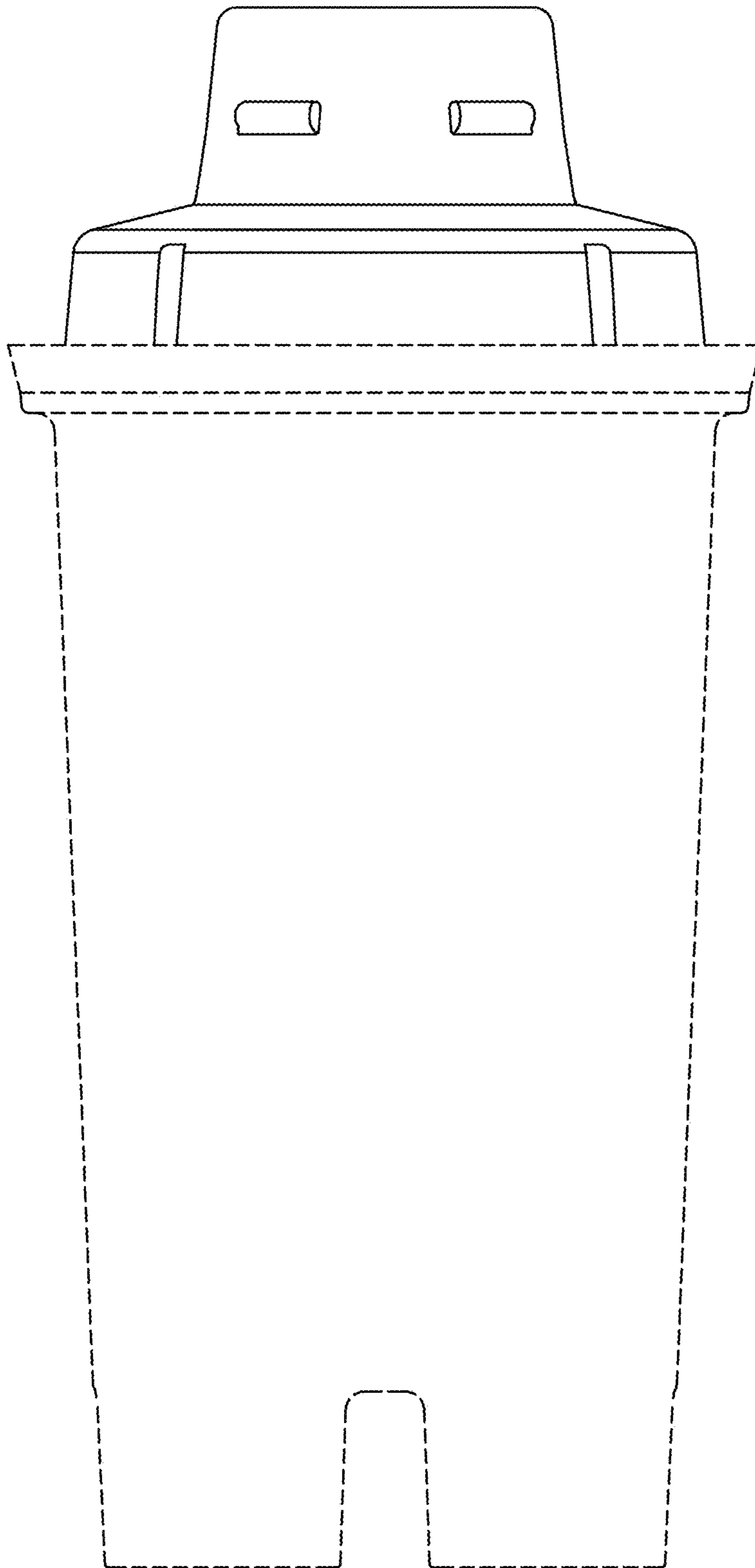


FIG. 8

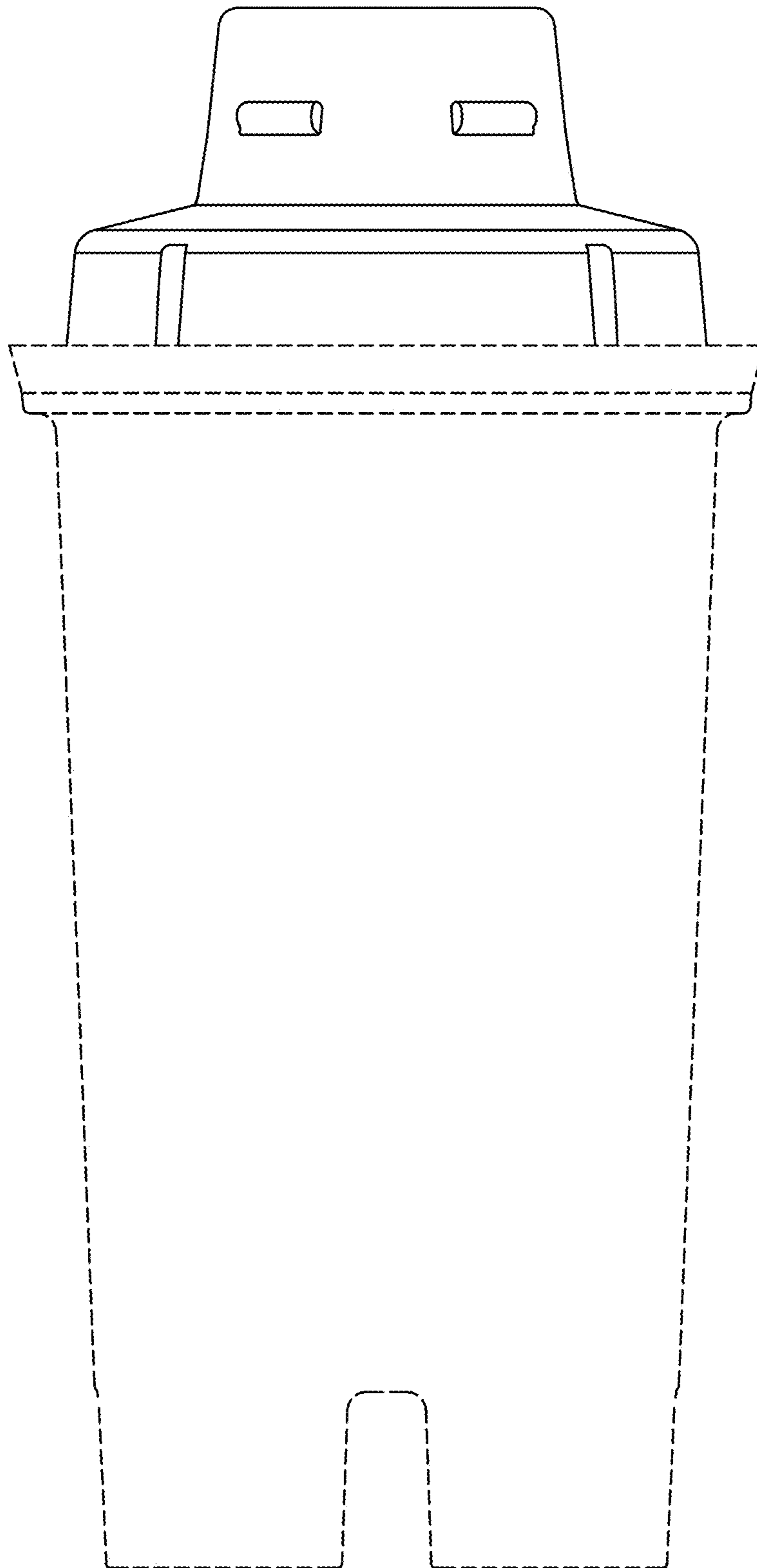


FIG. 9

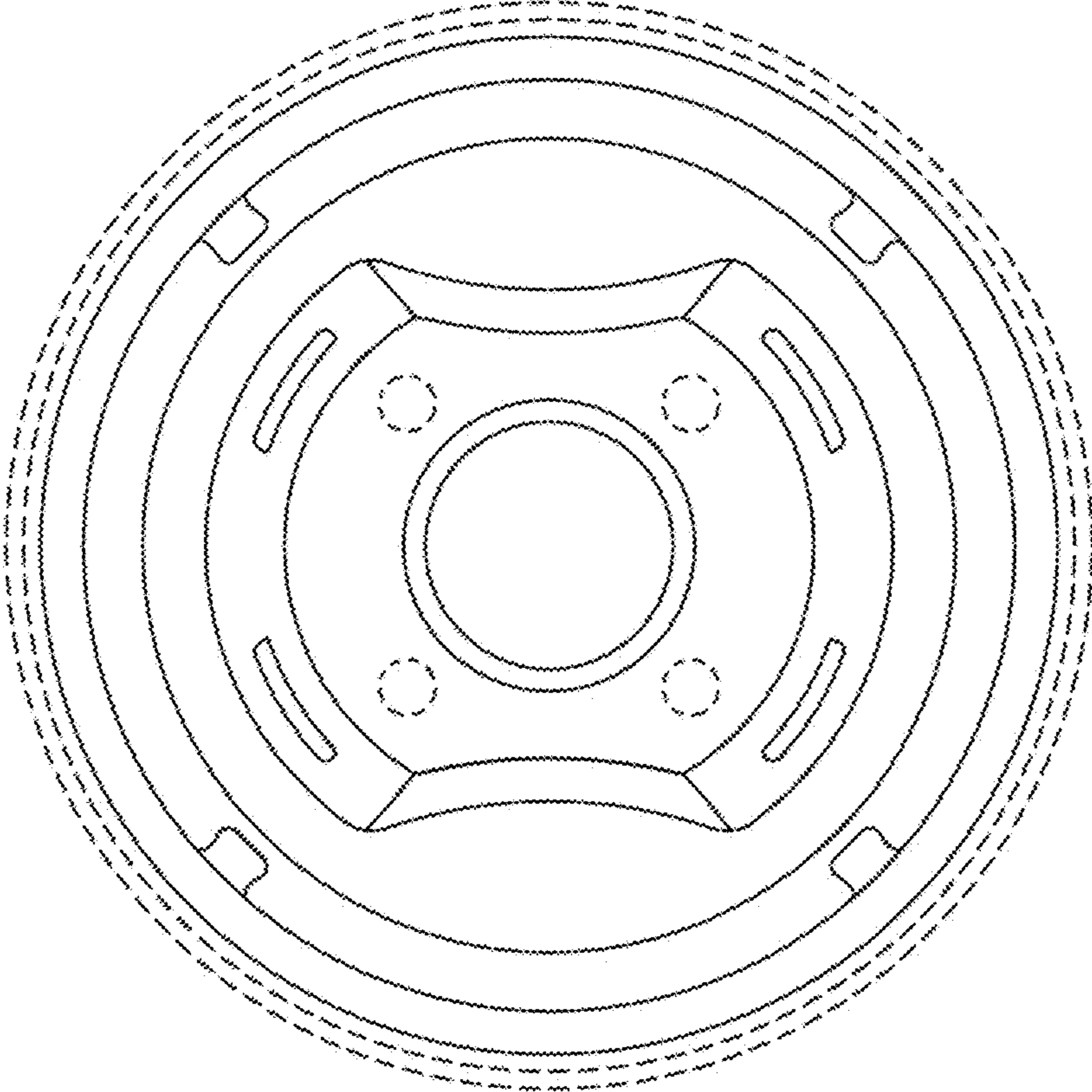


FIG. 10