



US00D934376S

(12) **United States Design Patent**
Williams

(10) **Patent No.:** **US D934,376 S**
(45) **Date of Patent:** **** Oct. 26, 2021**

- (54) **SPIDER MITE DEVICE**
- (71) Applicant: **Daniel Williams**, Sacramento (CA)
- (72) Inventor: **Daniel Williams**, Sacramento (CA)
- (**) Term: **15 Years**
- (21) Appl. No.: **29/718,832**
- (22) Filed: **Dec. 30, 2019**
- (51) **LOC (13) Cl.** **22-06**
- (52) **U.S. Cl.**
USPC **D22/122**
- (58) **Field of Classification Search**
USPC D22/122; 43/107, 110-111, 134,
43/136-137
CPC A01M 3/00; A01M 3/02
See application file for complete search history.

- 6,067,746 A * 5/2000 Kistner A01M 3/02
43/135
- 2003/0188473 A1* 10/2003 Heller A01M 3/02
43/137
- 2013/0025186 A1* 1/2013 Scheubeck A01M 3/02
43/137

* cited by examiner

Primary Examiner — Catherine R Oliver-Garcia
(74) *Attorney, Agent, or Firm* — Law Offices of Herbert T. Patty

(57) **CLAIM**

The ornamental design for a spider mite device, as shown and described.

DESCRIPTION

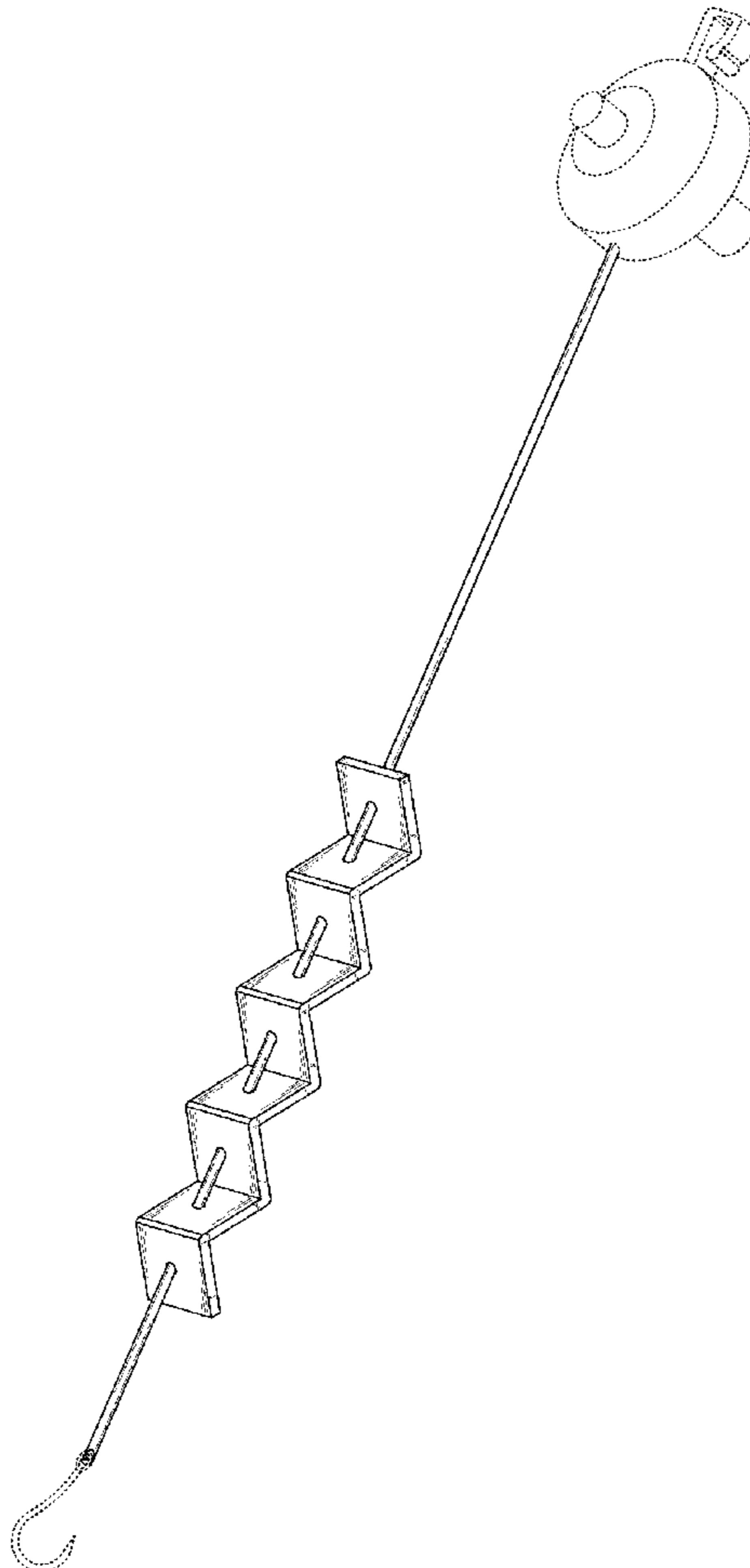
FIG. 1 is a perspective view of an ornamental design for a spider mite device.
FIG. 2 is a front view of the spider mite device.
FIG. 3 is rear view of the spider mite device.
FIG. 4 is a right side view of the spider mite device.
FIG. 5 is a left side view of the spider mite device.
FIG. 6 is a top view of the spider mite device; and,
FIG. 7 is a bottom view of the spider mite device.
The broken lines shown in the drawings are for illustrative purposes only and form no part of the claimed design.

(56) **References Cited**

U.S. PATENT DOCUMENTS

- D252,696 S * 8/1979 Mushkin D22/119
- 4,502,243 A * 3/1985 Spindler A01M 3/02
43/137

1 Claim, 6 Drawing Sheets



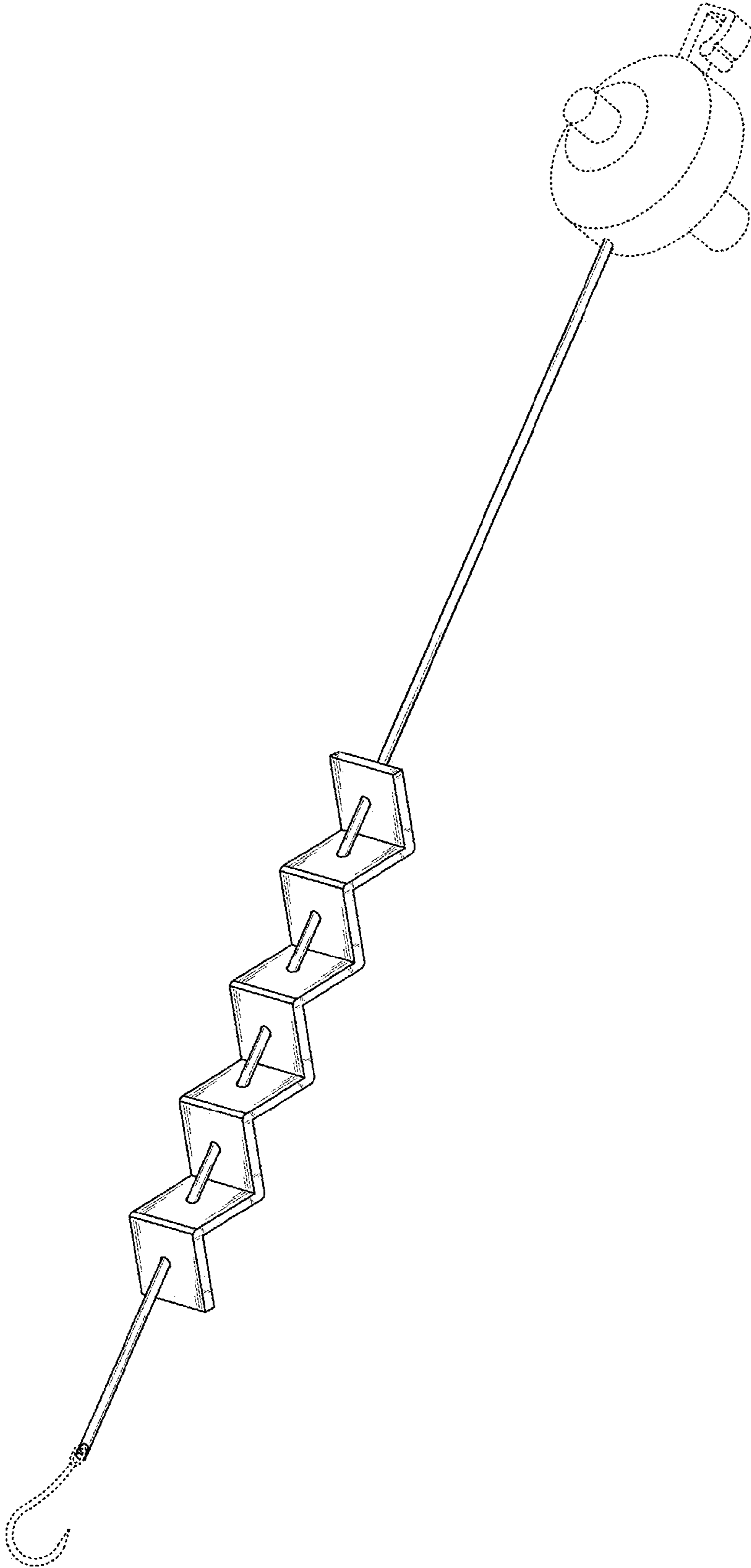


FIG. 1

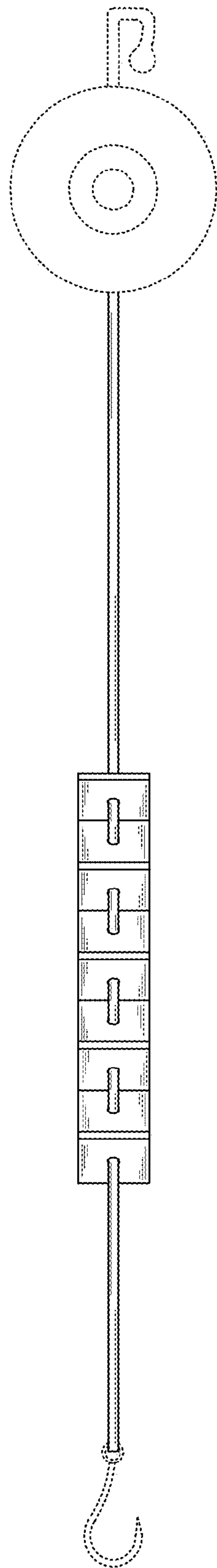


FIG. 2

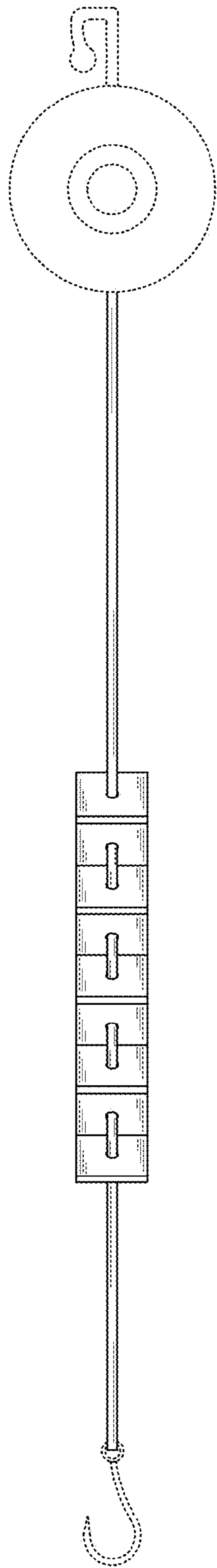


FIG. 3

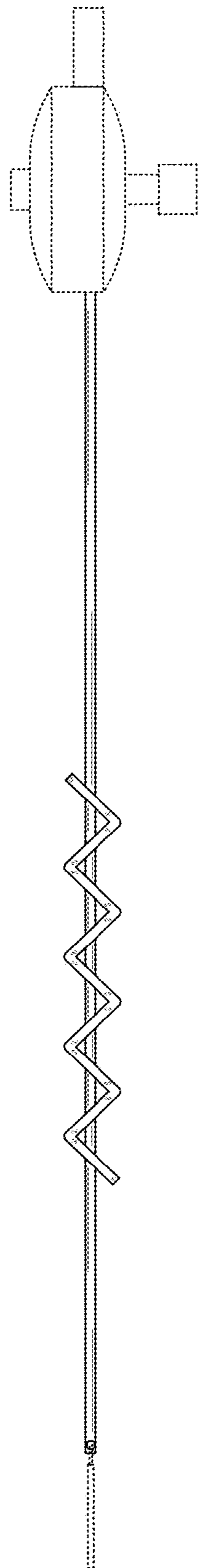


FIG. 4

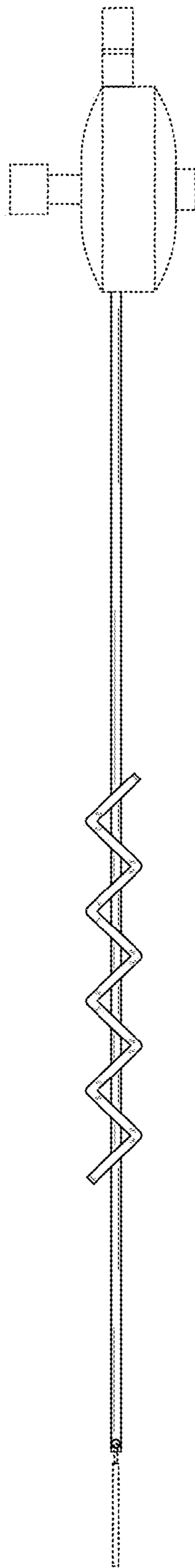


FIG. 5

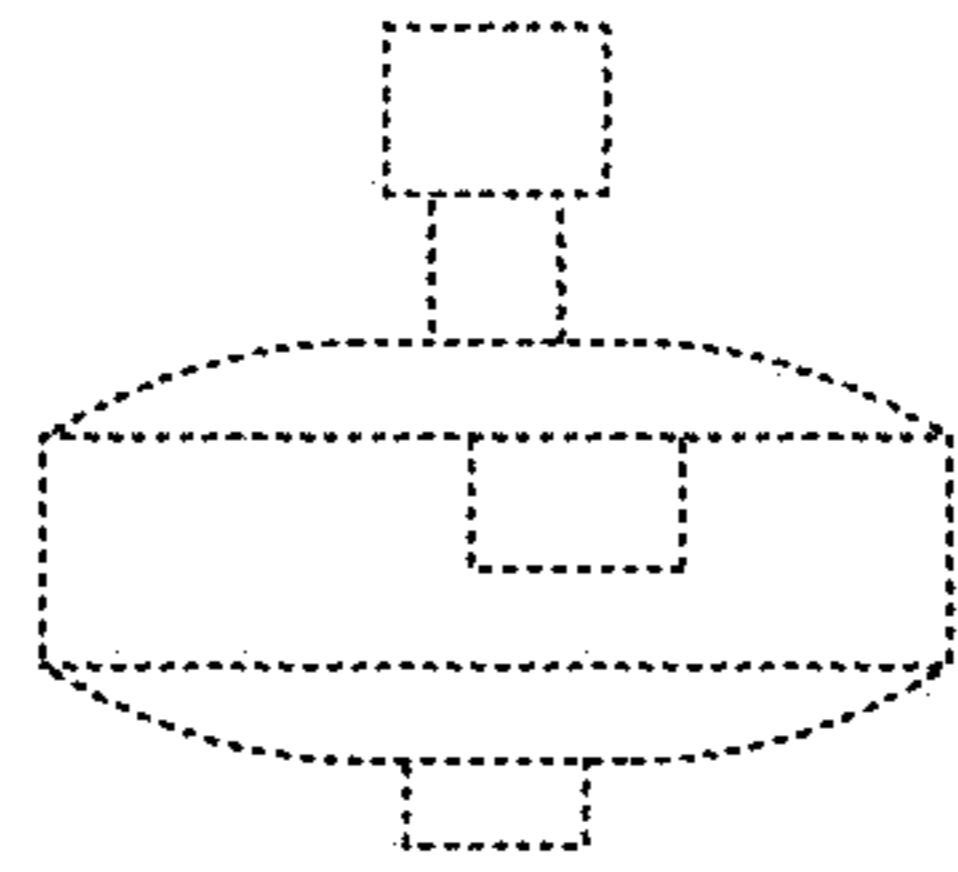


FIG. 6

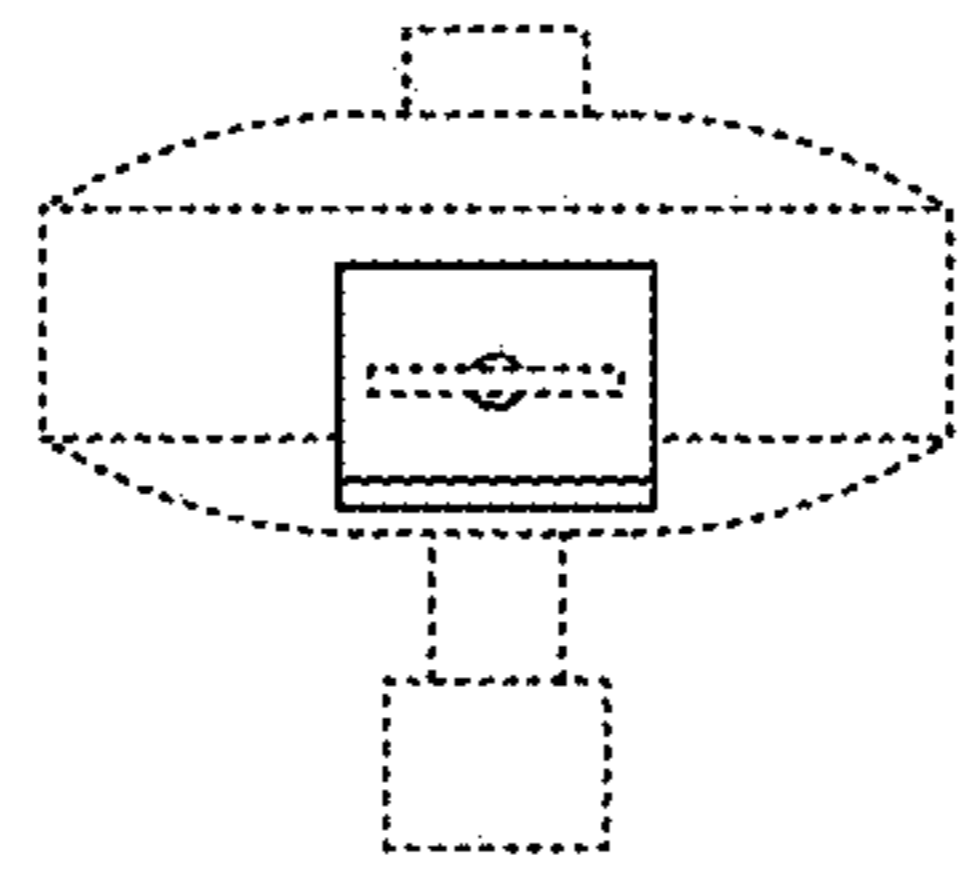


FIG. 7