



US00D934375S

(12) **United States Design Patent** (10) **Patent No.:** **US D934,375 S**
Dai (45) **Date of Patent:** **** Oct. 26, 2021**

(54) **ANIMAL REPELLER**

FOREIGN PATENT DOCUMENTS

(71) Applicant: **Shenzhen Xuanyu Xing Technology Co., Ltd.**, Shenzhen (CN)

DE 29913473 U1 * 2/1999 A01M 29/02

(72) Inventor: **Lirong Dai**, Shenzhen (CN)

OTHER PUBLICATIONS

(73) Assignee: **Shenzhen Xuanyu Xing Technology Co., Ltd.**, Shenzhen (CN)

USB & SOLAR Fox repellent animal repellent motion sensors 10MM Range . . . https://www.pestxzone.com/products/usb-solar-fox-repellent-animal-repellent-motion-sensors-10m-range?variant=31826726158389¤cy=USD&utm_medium=product_sync&utm_source=google&utm_content=sag_organic&utm_campaign=sag_organic&utm_campaign=gs-2021-08-24&utm_source=google&utm_medium=smart_campaign&gclid (Year: 2021).*

(**) Term: **15 Years**

* cited by examiner

(21) Appl. No.: **29/732,918**

(22) Filed: **Apr. 28, 2020**

(51) **LOC (13) Cl.** **22-06**

(52) **U.S. Cl.**
USPC **D22/120**

Primary Examiner — Catherine R Oliver-Garcia

(58) **Field of Classification Search**
USPC D22/120, 119, 125; D10/46, 118, 118.2;
D13/102–104, 107, 184; D26/8, 138
CPC A01M 1/08; A01M 29/00; A01M 29/12;
A01M 29/16; A01M 29/18; A01M 29/32;
A01M 31/002

(57) **CLAIM**

The ornamental design for an animal repeller, as shown and described.

See application file for complete search history.

DESCRIPTION

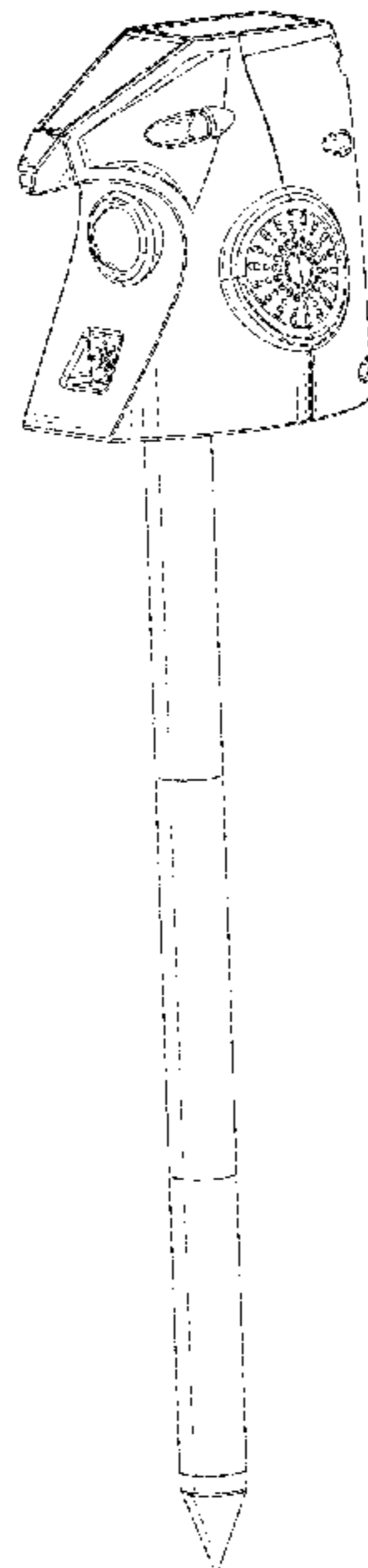
(56) **References Cited**

U.S. PATENT DOCUMENTS

D639,893 S * 6/2011 Feuerstein D22/120
D639,894 S * 6/2011 Feuerstein D22/120
D693,900 S * 11/2013 Jan D22/120
8,755,251 B1 * 6/2014 Jan A01M 29/16
367/139
D779,027 S * 2/2017 Zhang D22/120
D839,987 S * 2/2019 Dai D22/120
D852,313 S * 6/2019 Luo D22/120
D861,120 S * 9/2019 Luo D22/120
D878,282 S * 3/2020 Cavaliere D12/539
2008/0156279 A1 * 7/2008 Weiser A01M 29/16
119/719

FIG. 1 is a perspective view of an animal repeller showing my new design;
FIG. 2 is another perspective view thereof;
FIG. 3 is a front elevation view thereof;
FIG. 4 is a back elevation view thereof;
FIG. 5 is an enlarged left side view thereof;
FIG. 6 is an enlarged right side view thereof;
FIG. 7 is a top plan view thereof; and,
FIG. 8 is a bottom plan view thereof.
The broken lines in the drawings illustrate portions of the animal repeller and form no part of the claimed design.

1 Claim, 8 Drawing Sheets



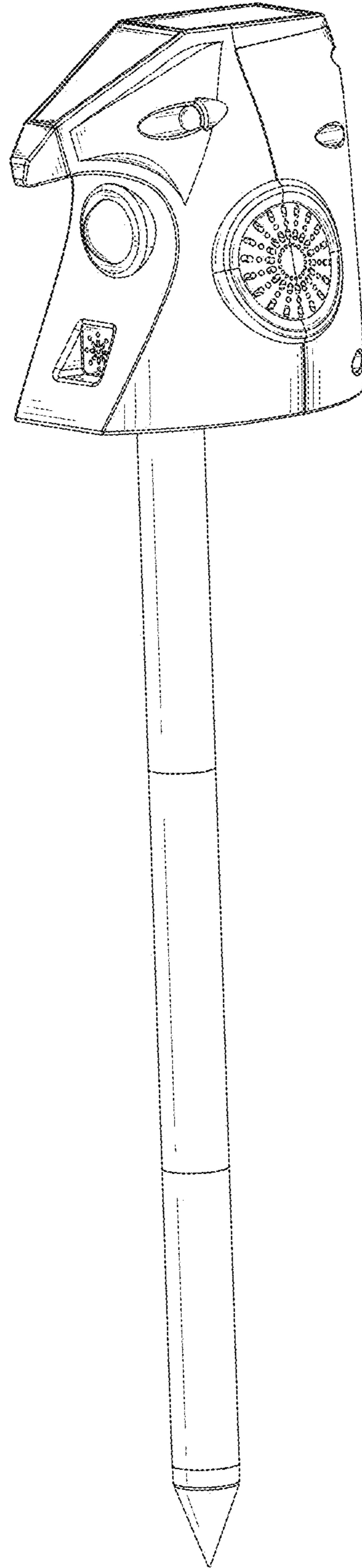


FIG. 1

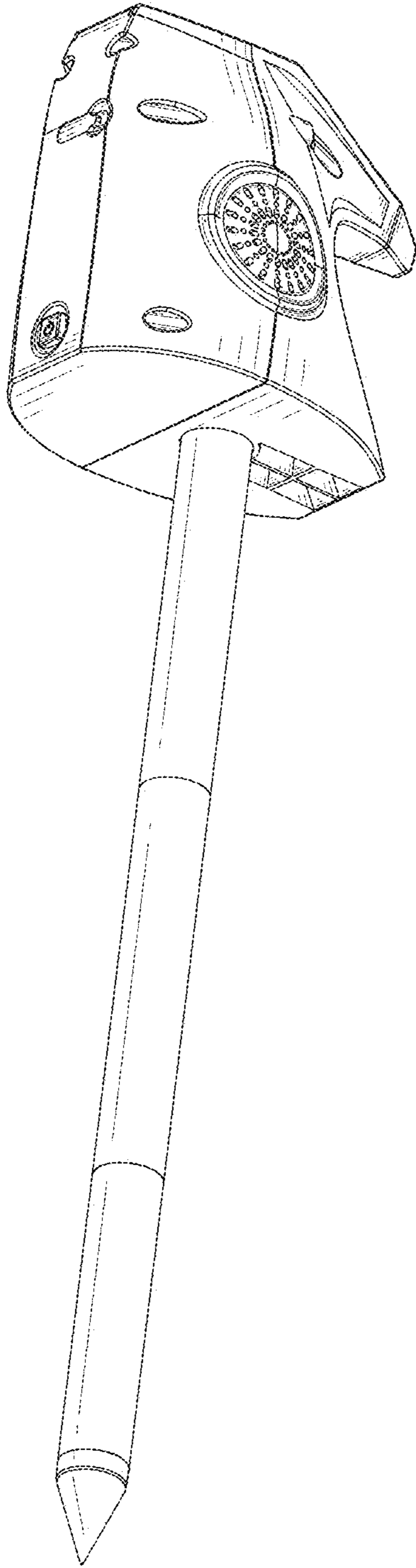


FIG. 2

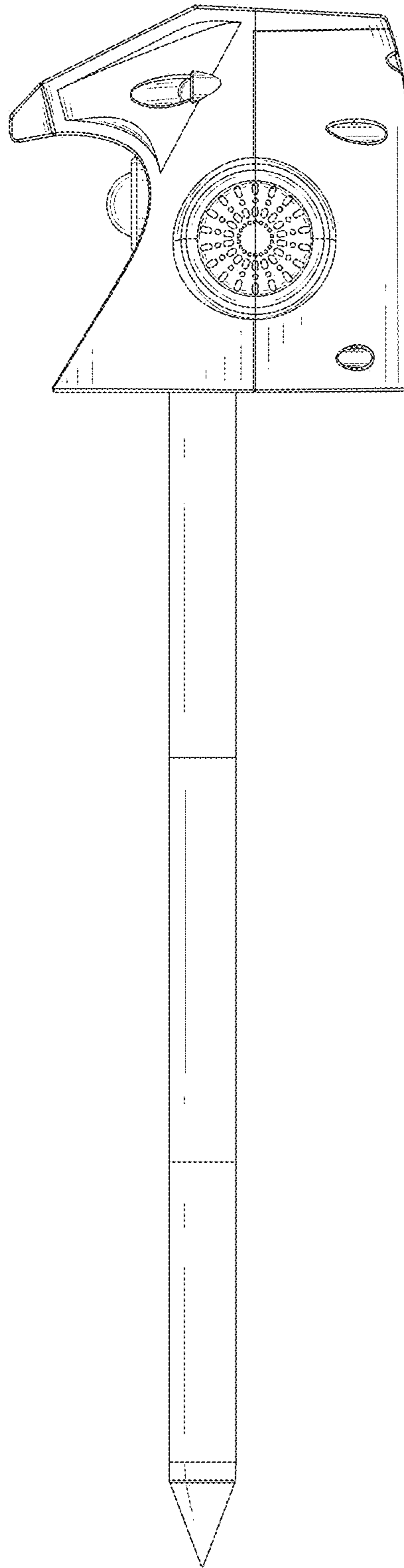


FIG. 3

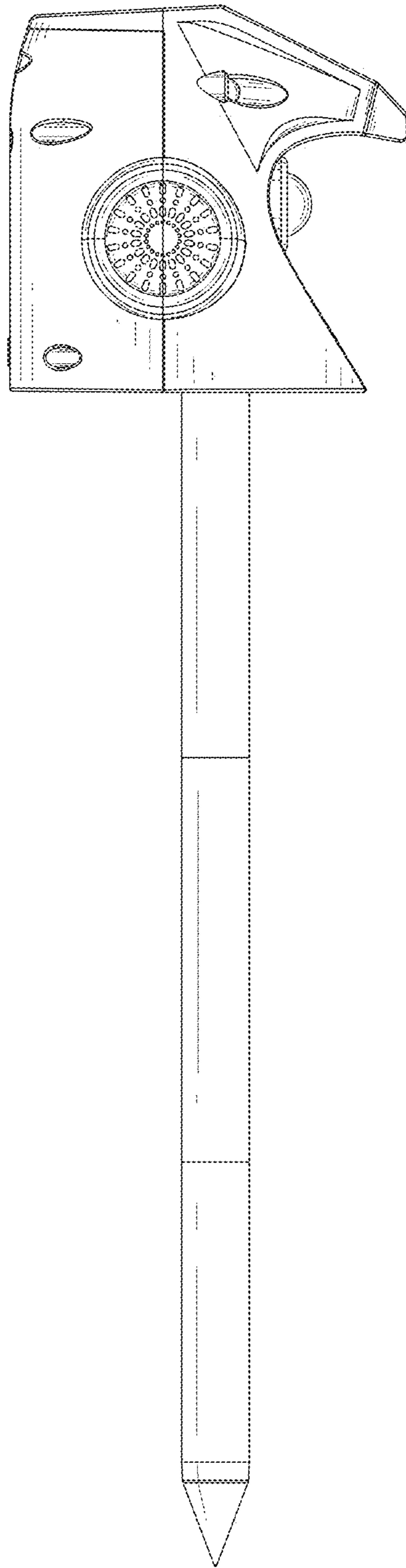


FIG. 4

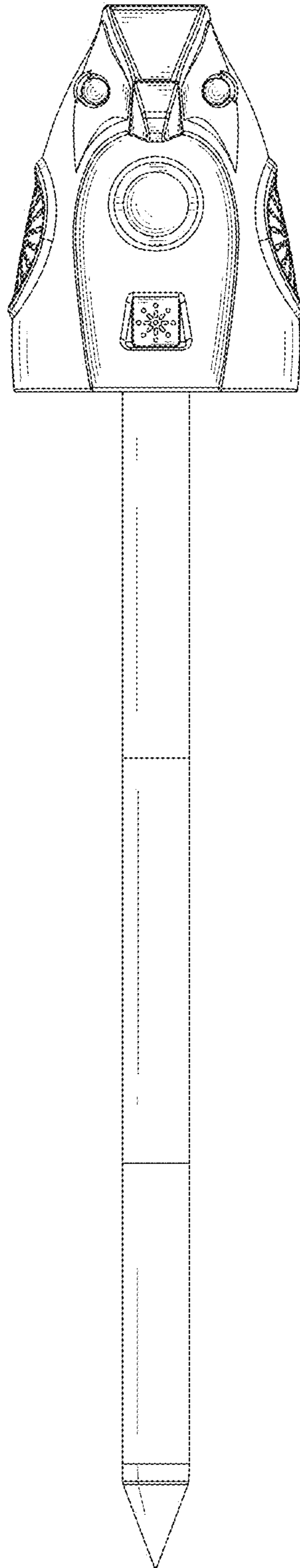


FIG. 5

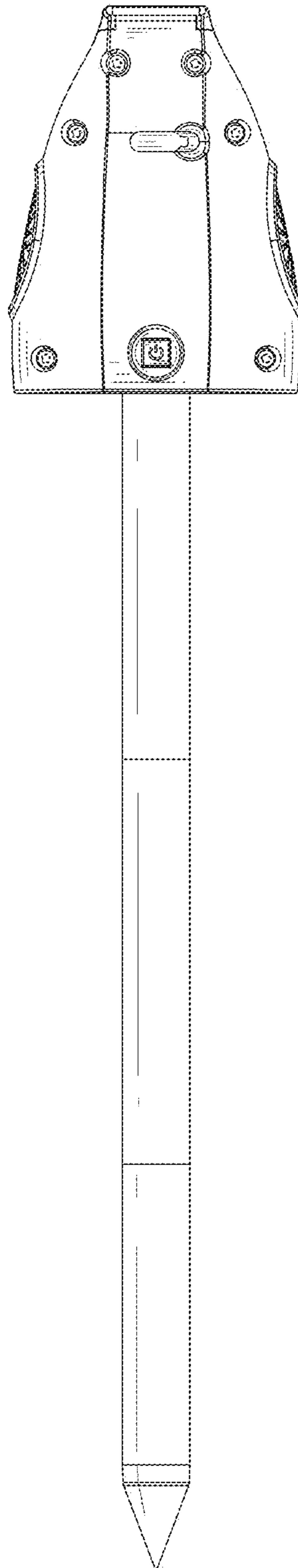


FIG. 6

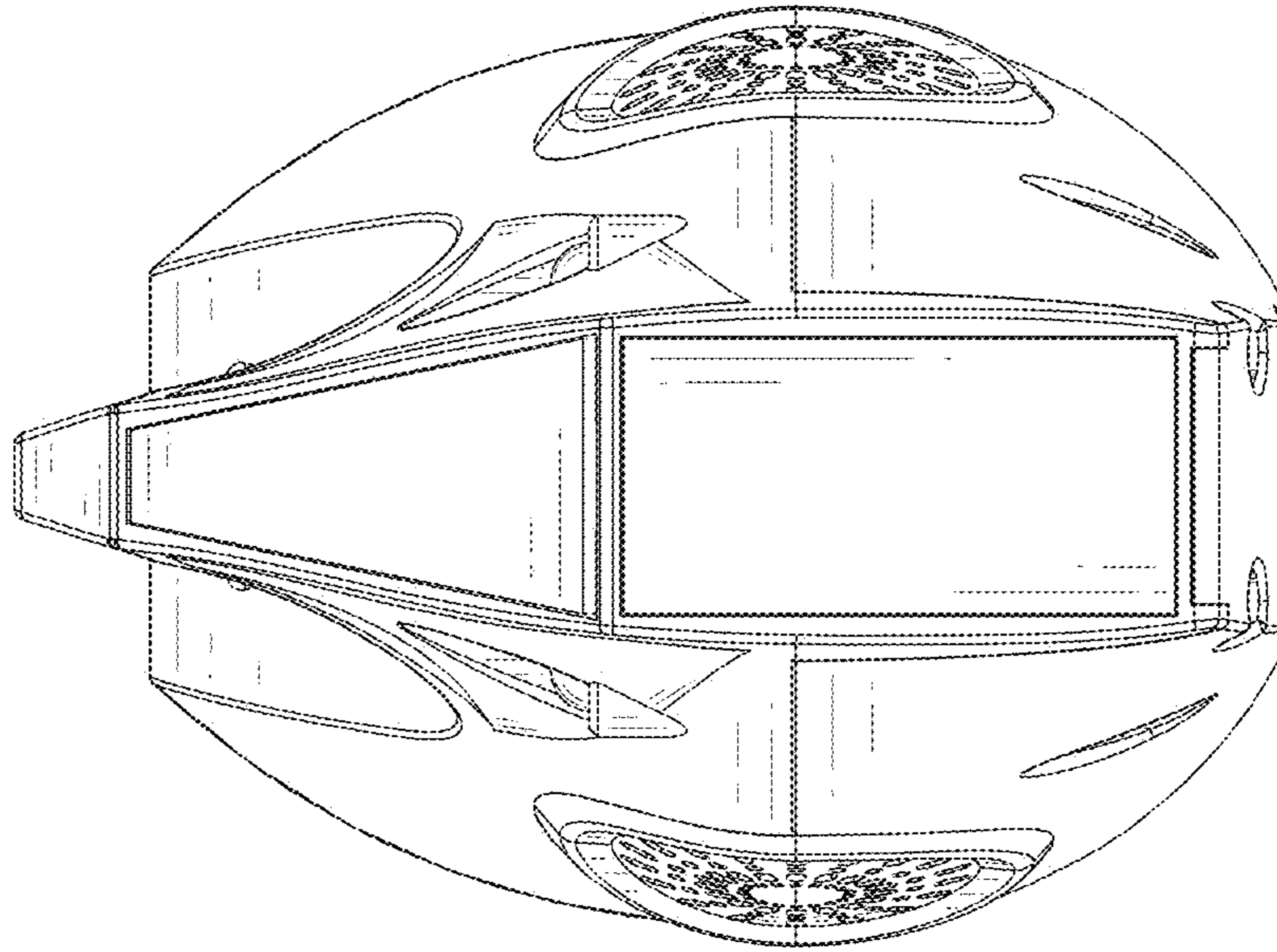


FIG. 7

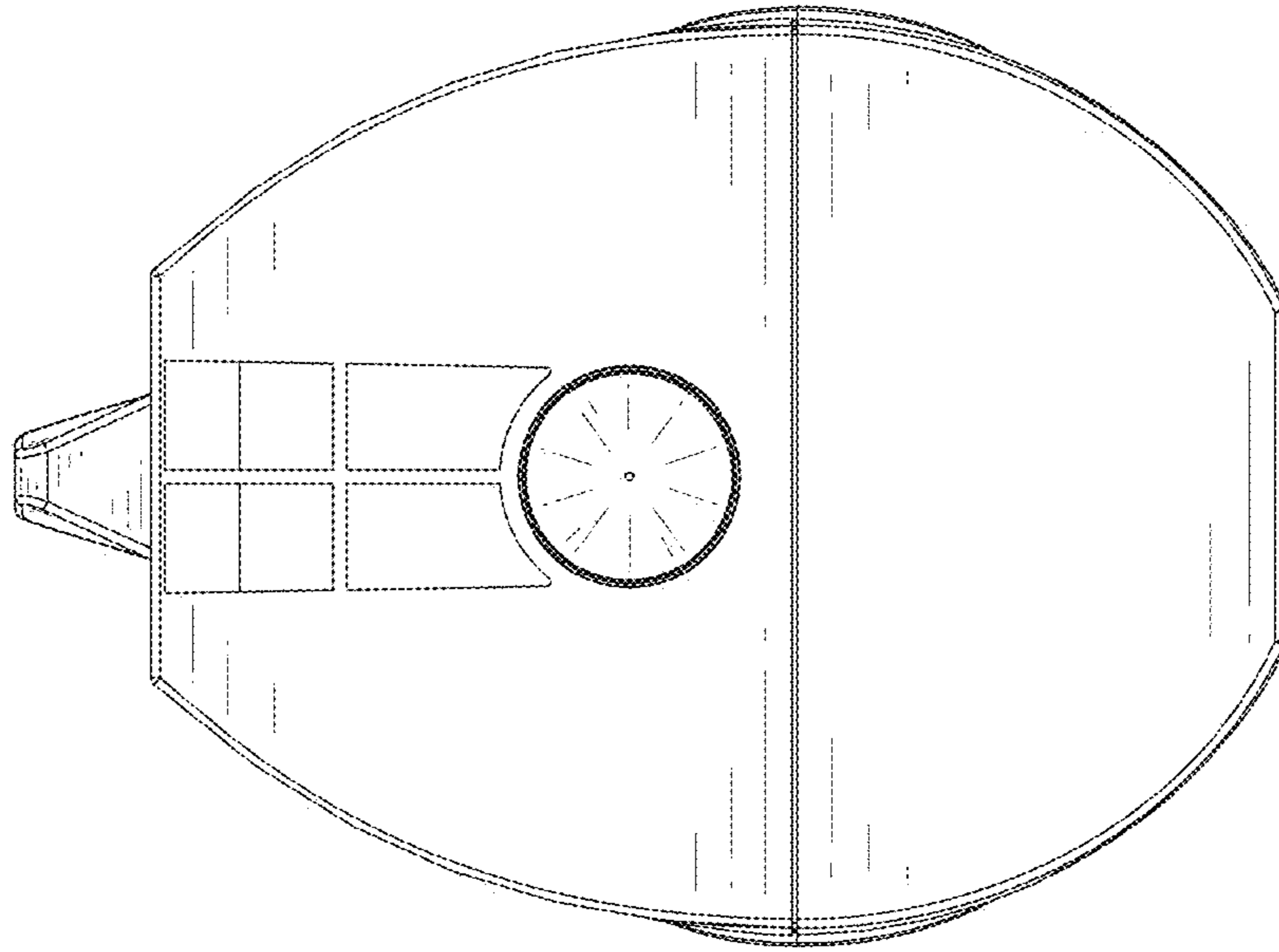


FIG. 8