



US00D934373S

(12) **United States Design Patent**
Hefer et al.

(10) **Patent No.:** **US D934,373 S**
(45) **Date of Patent:** **** Oct. 26, 2021**

- (54) **MAGAZINE LOADER PORTION**
- (71) Applicant: **Vista Outdoor Operations LLC**,
Farmington, UT (US)
- (72) Inventors: **Brandon Thomas Hefer**, St. Louis,
MO (US); **Brandon Karl Trostrud**, St.
Louis, MO (US)
- (73) Assignee: **Vista Outdoor Operations LLC**,
Anoka, MN (US)

4,949,495 A	8/1990	Mari	
4,970,820 A	11/1990	Miller et al.	
4,993,180 A	2/1991	Upchurch	
5,249,386 A	10/1993	Switzer	
D344,780 S *	3/1994	Jenkins	D22/108
5,301,449 A	4/1994	Jackson	
5,355,606 A	10/1994	Origoni	
5,377,436 A	1/1995	Switzer	
6,178,683 B1	1/2001	Williams	
6,810,616 B2	11/2004	Tal et al.	
6,817,134 B2	11/2004	Newman	
7,059,077 B2	6/2006	Tal et al.	

(Continued)

(**) Term: **15 Years**

(21) Appl. No.: **29/609,732**

(22) Filed: **Jul. 5, 2017**

(51) **LOC (13) Cl.** **22-01**

(52) **U.S. Cl.**
USPC **D22/108**

(58) **Field of Classification Search**
USPC D22/108, 107, 104, 199; D8/354, 373,
D8/380, 499; D2/964

CPC F41A 9/43; F41A 9/42; F41A 9/61; F41A
9/65; F41A 9/68; F41A 9/69; F41A 9/00;
F41A 9/17; F41A 9/23; F41A 9/34; F41A
9/84; F41A 9/70; F41A 11/02

See application file for complete search history.

(56) **References Cited**

U.S. PATENT DOCUMENTS

3,526,028 A	9/1970	Winch
4,425,834 A	1/1984	Lohmann
4,464,855 A	8/1984	Musgrave
4,689,909 A	9/1987	Howard
4,719,715 A	1/1988	Howard
4,739,572 A	4/1988	Brandenburg
4,827,651 A	5/1989	Conkey
4,829,693 A	5/1989	Holmes
4,879,829 A	11/1989	Miller et al.
4,888,902 A	12/1989	Knowles
4,939,862 A	7/1990	Brandenburg et al.

Primary Examiner — Manpreet S Matharu

Assistant Examiner — Yolanda Robinson

(74) *Attorney, Agent, or Firm* — Walter M. Egbert, III;

Gerard M. Donovan; Reed Smith LLP

(57) **CLAIM**

We claim the ornamental design for a magazine loader portion, as shown and described.

DESCRIPTION

FIG. 1 is a front, right, top perspective view of the magazine loader portion.

FIG. 2 is a front elevation view of the magazine loader portion of FIG. 1.

FIG. 3 is a rear elevation view of the magazine loader portion of FIG. 1.

FIG. 4 is a right side view of the magazine loader portion of FIG. 1.

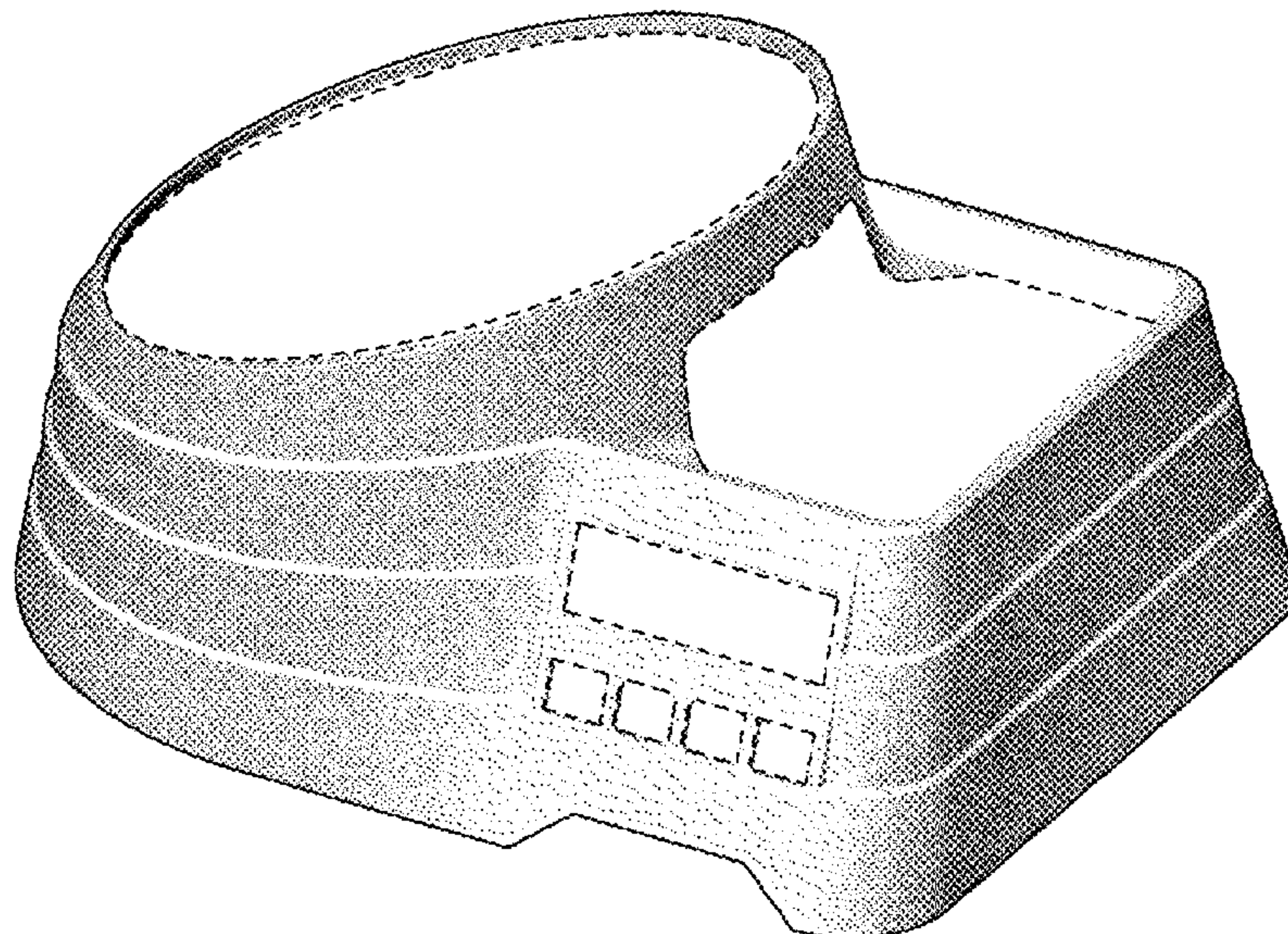
FIG. 5 is a left side view of the magazine loader portion of FIG. 1.

FIG. 6 is a top plan view of the magazine loader portion of FIG. 1; and,

FIG. 7 is a bottom plan view of the magazine loader portion of FIG. 1.

Portions of the magazine loader portion shown in broken lines form no part of the claimed design.

1 Claim, 7 Drawing Sheets



(56)

References Cited

U.S. PATENT DOCUMENTS

7,257,919	B1	8/2007	Farley	
7,383,657	B2	6/2008	Pikielny	
7,487,613	B2	2/2009	Taylor	
7,503,138	B2	3/2009	Tal et al.	
7,637,048	B2	12/2009	Tal et al.	
7,805,874	B2	10/2010	Tal et al.	
8,453,366	B2	6/2013	Gray	
9,182,185	B2	11/2015	Hatch	
9,212,859	B1	12/2015	Tal et al.	
9,239,198	B2	1/2016	McPhee	
9,273,917	B1	3/2016	Buckner	
D753,784	S *	4/2016	Montes	D22/108
9,347,722	B1	5/2016	Morris	
9,404,697	B2	8/2016	Cobb	
9,612,070	B2	4/2017	Hatch	
9,631,884	B2	4/2017	Kim	
9,644,910	B2	5/2017	Kim	
D792,546	S *	7/2017	Geissele	D22/108
D795,988	S *	8/2017	Geissele	D22/108
9,719,741	B1	8/2017	Cifers et al.	
D808,492	S *	1/2018	Chen	D22/108
9,939,218	B2	4/2018	Mokuolu	
D841,758	S *	2/2019	Novak	F41A 35/00 D22/108
D856,457	S *	8/2019	Montes	D22/108
D857,133	S *	8/2019	Saponaro	D21/698
D868,925	S *	12/2019	Novak	D22/108
2003/0046854	A1	3/2003	Urchek	
2008/0184608	A1 *	8/2008	Tai	F41A 9/83 42/87
2014/0033592	A1	2/2014	Fiorucci	
2017/0205188	A1 *	7/2017	Chavez	F41C 23/10
2017/0328658	A1 *	11/2017	Butler	F42B 39/26

* cited by examiner

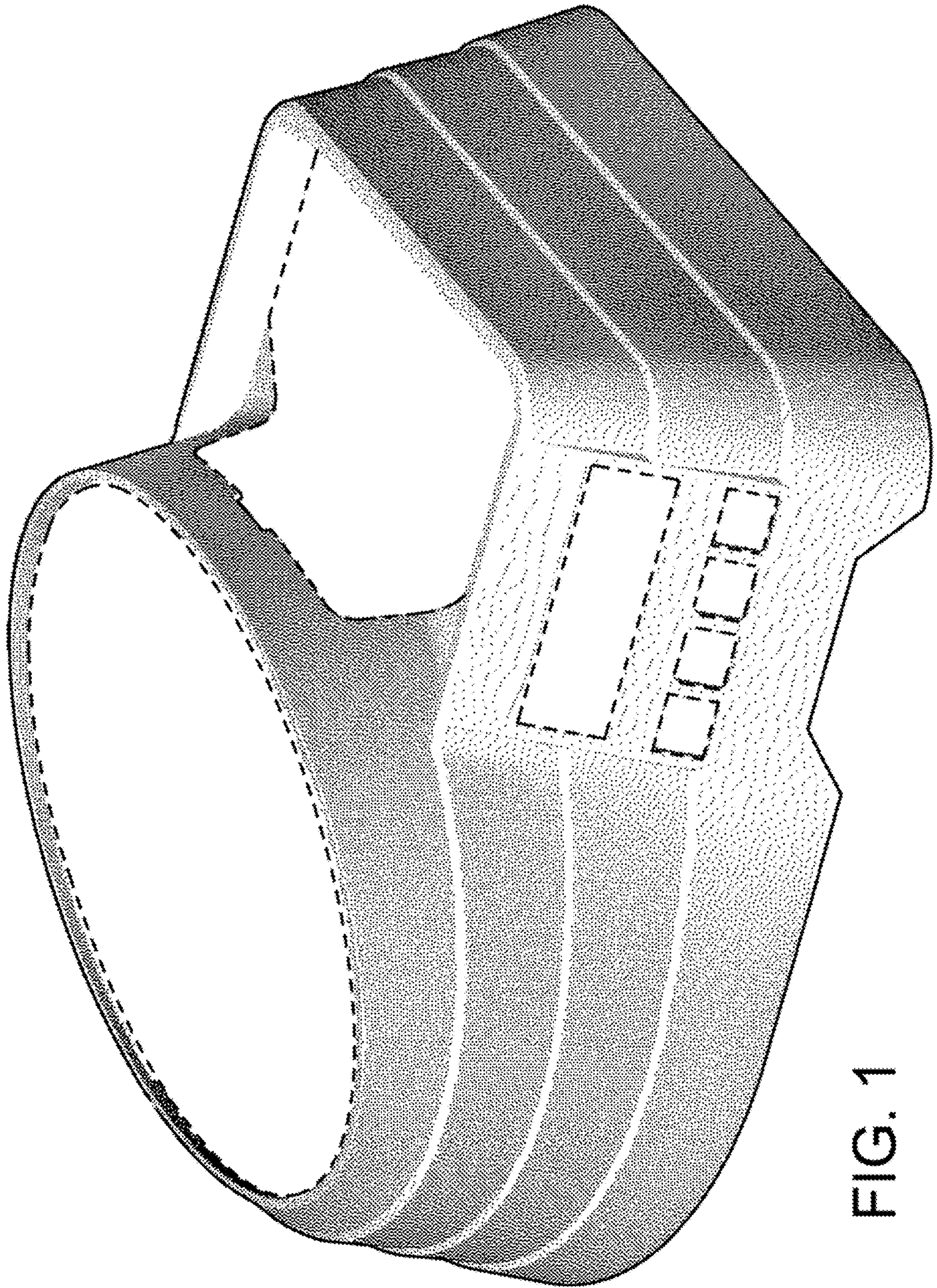


FIG. 1

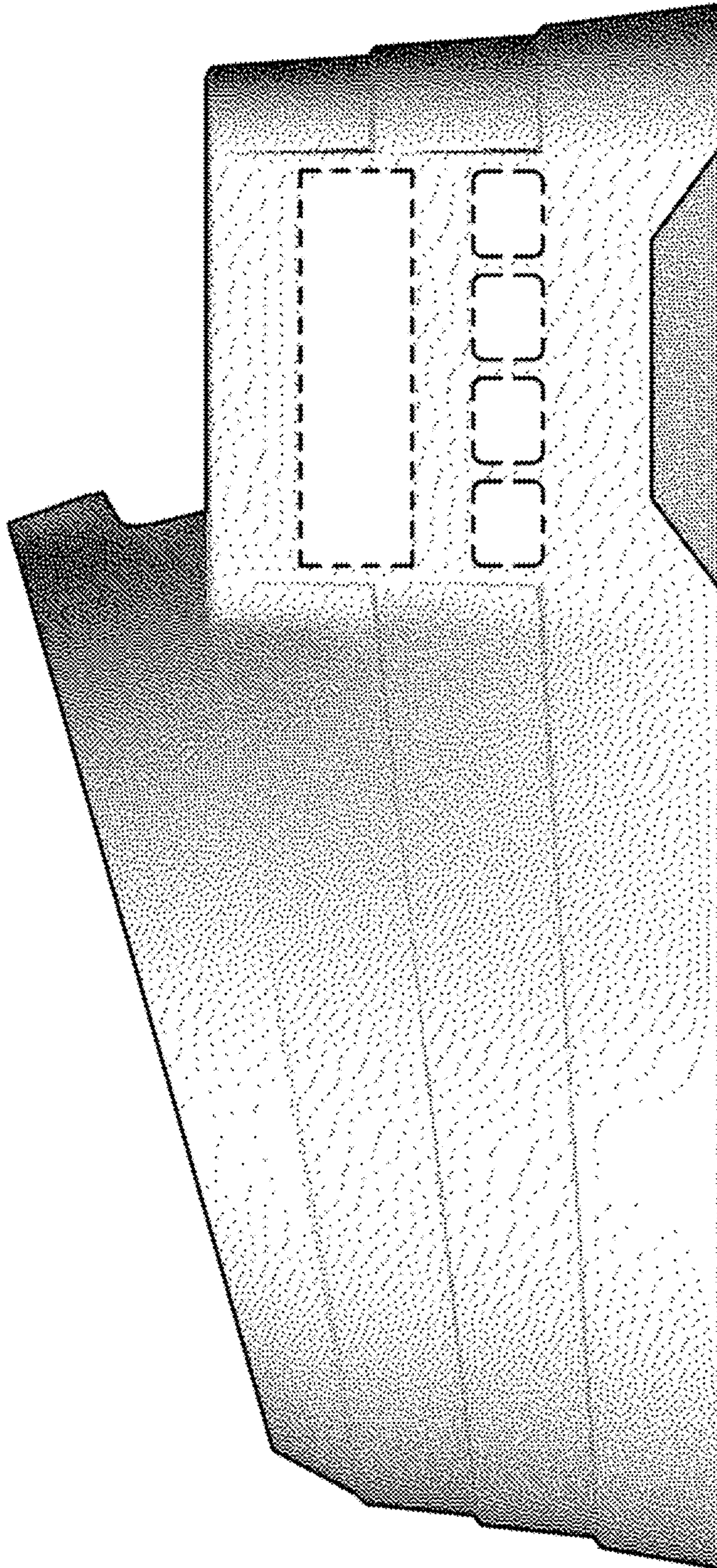


FIG. 2

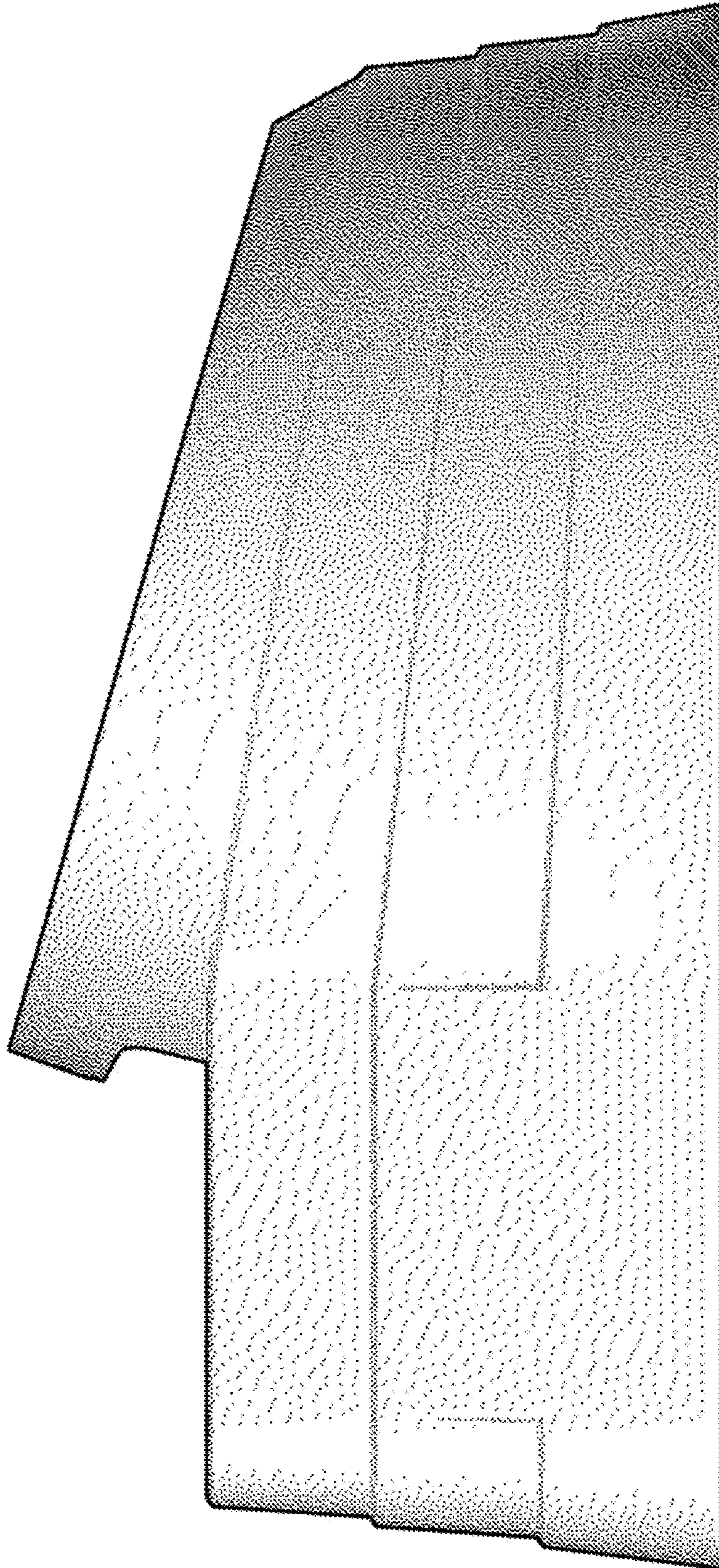


FIG. 3

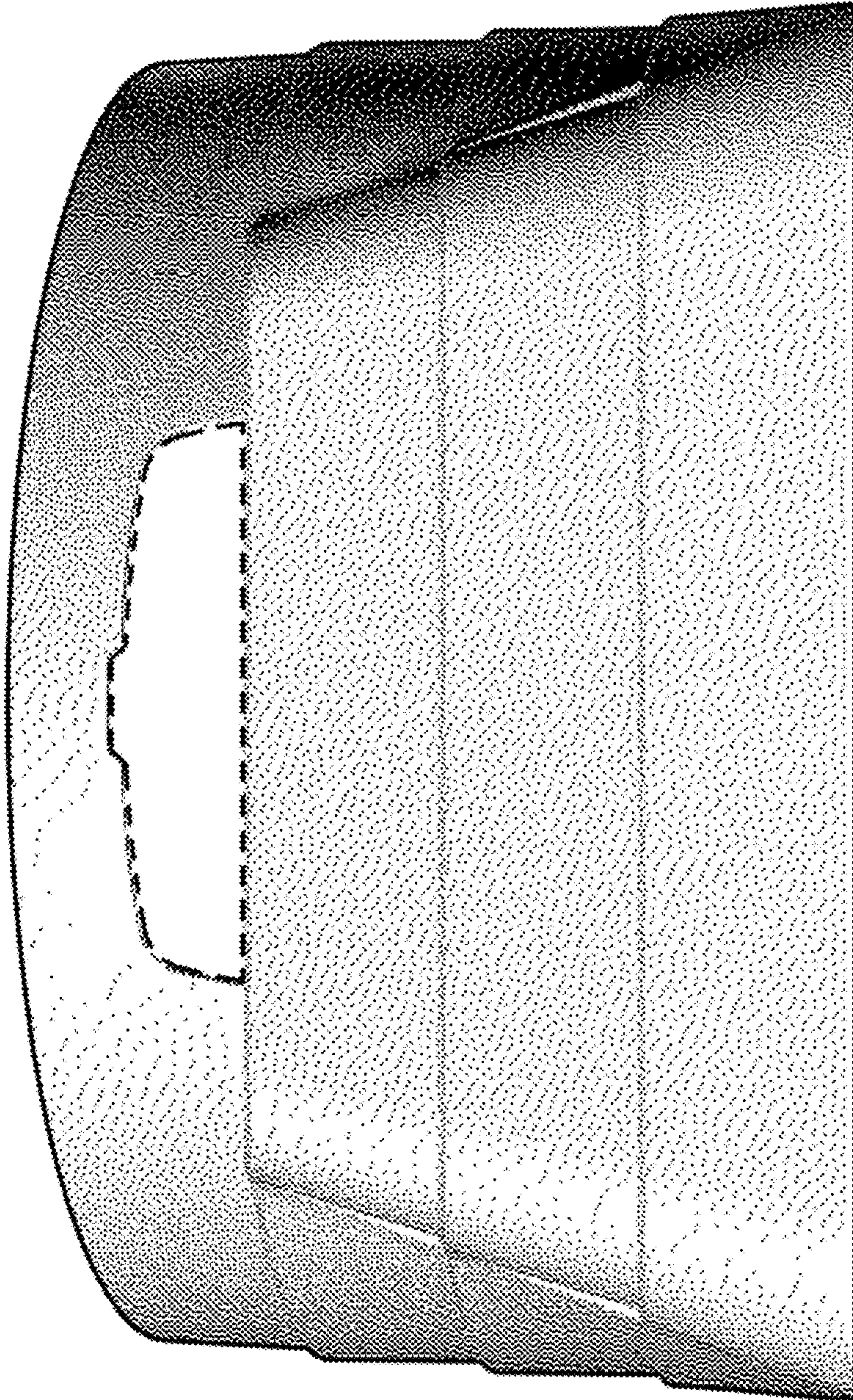


FIG. 4

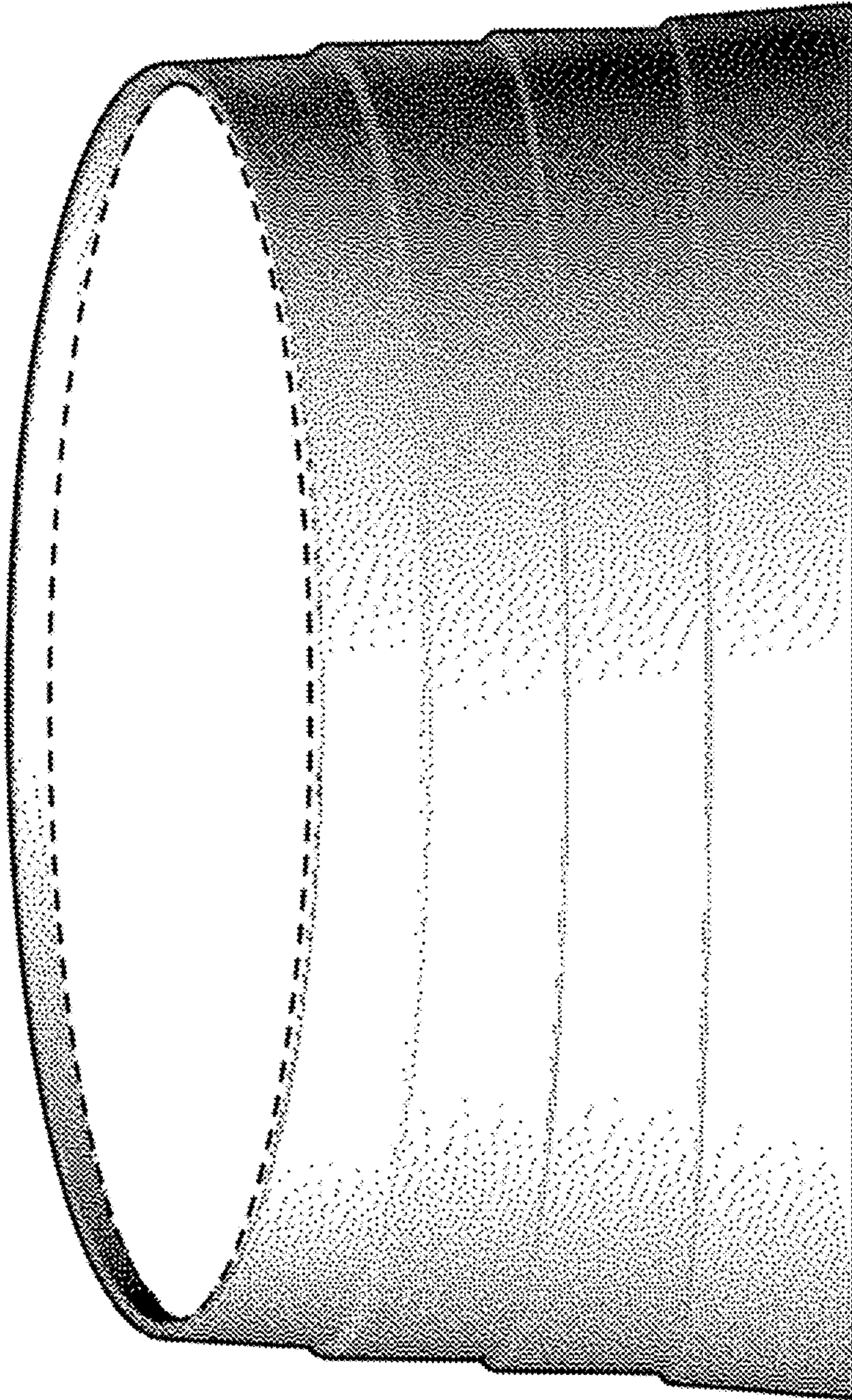


FIG. 5

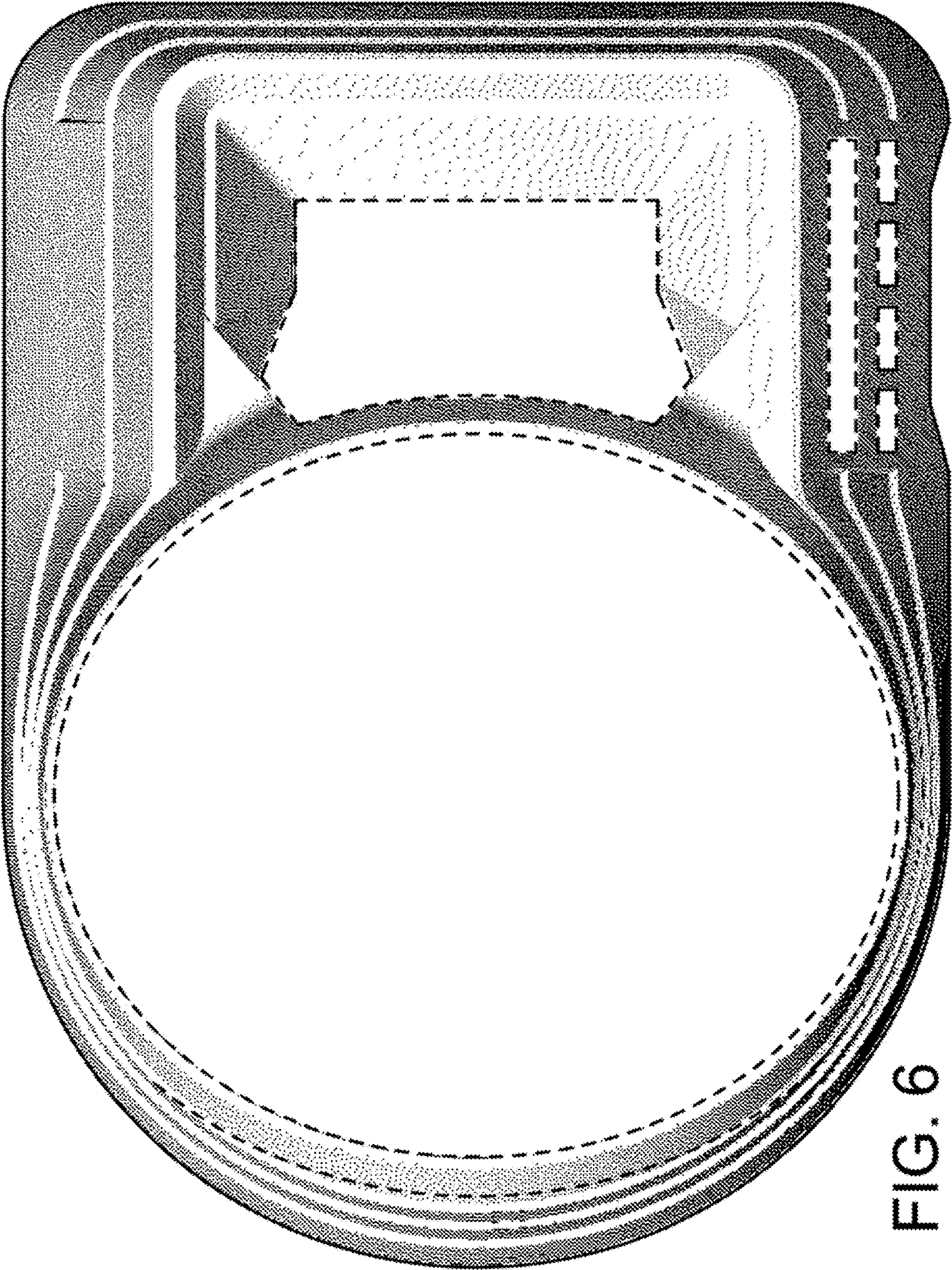


FIG. 6

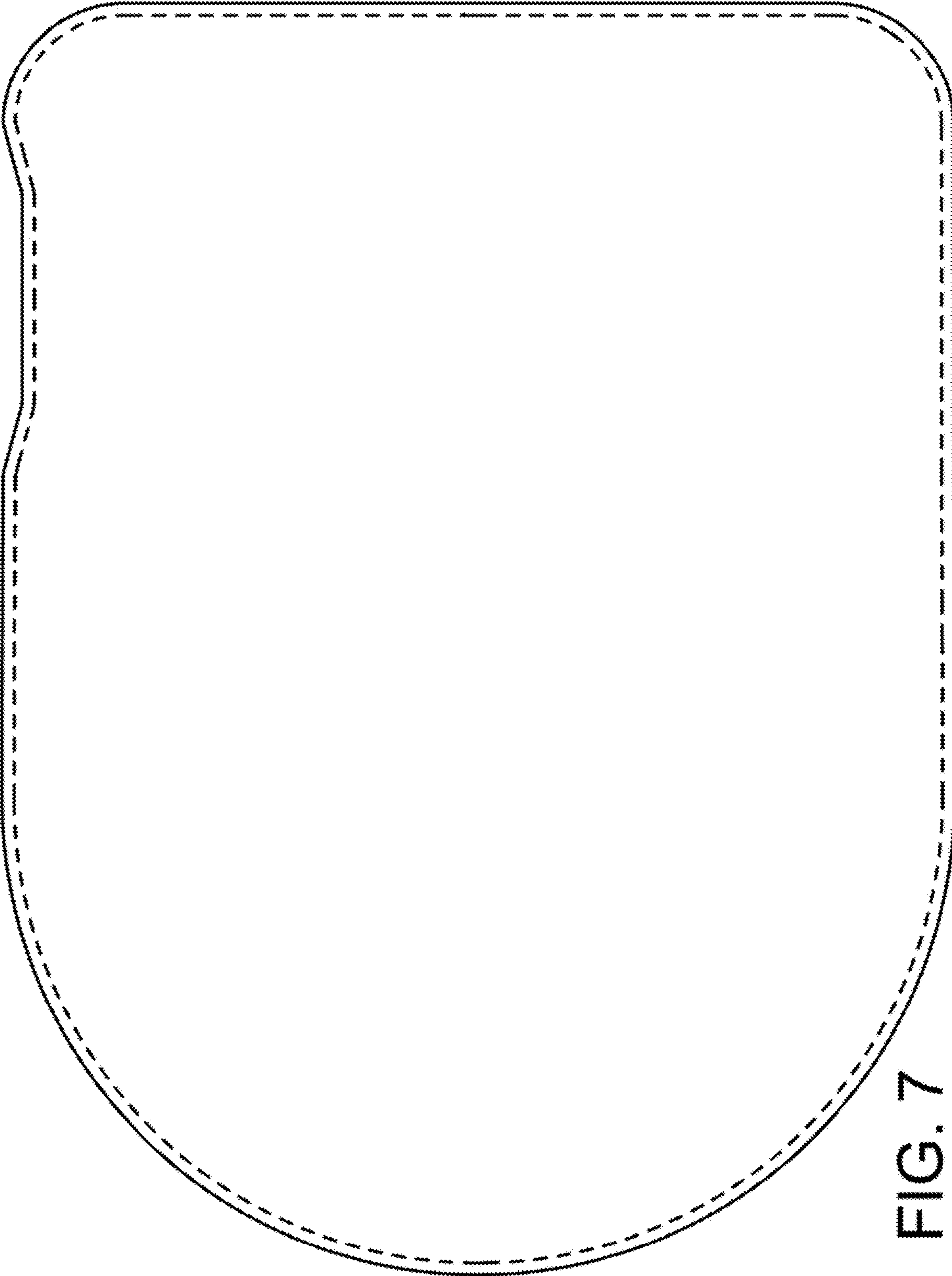


FIG. 7