



US00D934372S

(12) **United States Design Patent** (10) **Patent No.:** **US D934,372 S**
Kenton et al. (45) **Date of Patent:** **** Oct. 26, 2021**

(54) **SWING**
(71) Applicant: **Yardbird Outside, LLC**, Austin, TX (US)
(72) Inventors: **Sara Kenton**, Austin, TX (US); **Jake Hillard**, Plainville, KS (US); **Christopher M. Keller**, Austin, TX (US)
(73) Assignee: **Yardbird Outside, LLC**, Austin, TX (US)

D348,502 S * 7/1994 Webb, Jr. D21/823
5,342,245 A * 8/1994 Webb, Jr. A63G 9/00
472/118
D387,121 S * 12/1997 Davignon, II D21/825
D571,889 S * 6/2008 Goransson D21/823
D652,939 S * 1/2012 Palizza D24/200
8,794,702 B2 * 8/2014 Brown A63G 9/16
297/273
D737,904 S * 9/2015 Kuehne D21/419
D738,637 S * 9/2015 Dean D6/347
D746,622 S * 1/2016 O'Brien D6/716.1
D793,816 S * 8/2017 Alteslaben D7/586
D861,090 S * 9/2019 Colman D21/725
D914,826 S * 3/2021 Andon D21/823

(**) Term: **15 Years**

* cited by examiner

(21) Appl. No.: **29/708,725**

Primary Examiner — Mitchell I. Siegel

(22) Filed: **Oct. 9, 2019**

(74) *Attorney, Agent, or Firm* — Banner & Witcoff, Ltd.

(51) **LOC (13) Cl.** **21-03**

(52) **U.S. Cl.**
USPC **D21/823**

(57) **CLAIM**

The ornamental design for a swing, as shown and described.

(58) **Field of Classification Search**
USPC D21/811, 814, 822–825, 828–833
CPC A63G 9/00–9/22
See application file for complete search history.

DESCRIPTION

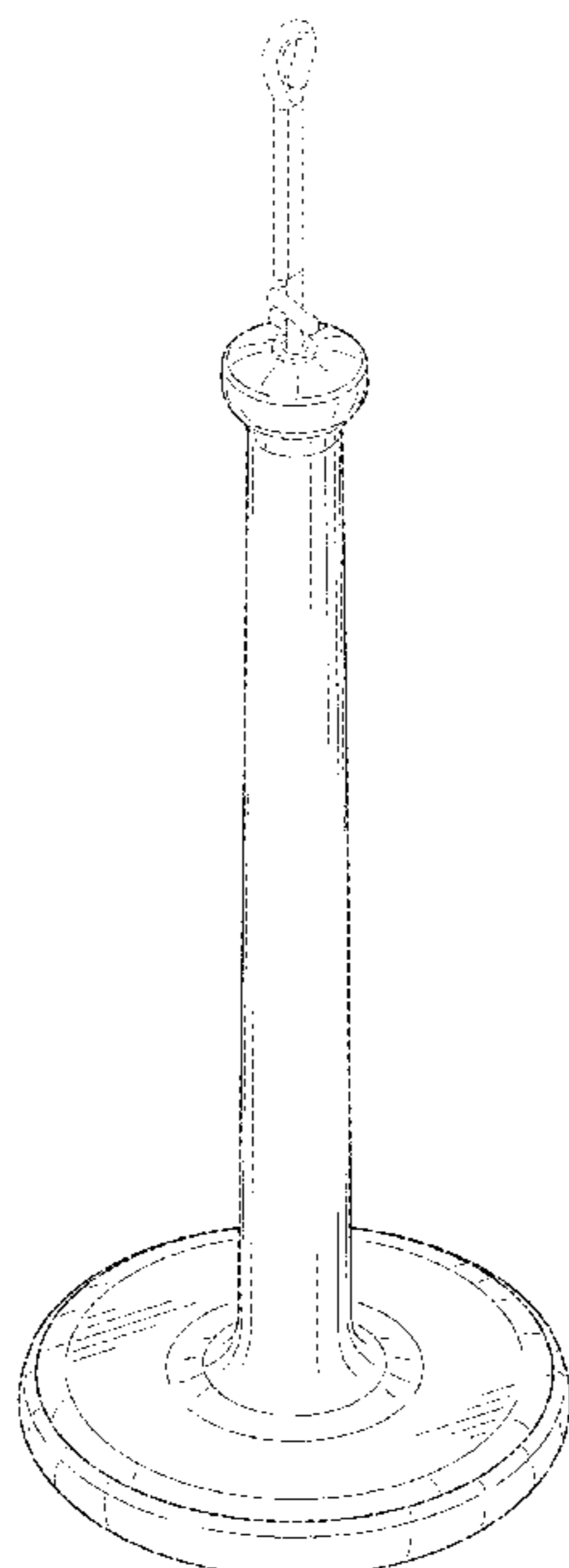
FIG. 1 is a top, front perspective view of a swing showing our new design;
FIG. 2 is a front view thereof;
FIG. 3 is a rear view thereof;
FIG. 4 is a left side view thereof;
FIG. 5 is a right side view thereof;
FIG. 6 is a top view thereof;
FIG. 7 is a bottom view thereof; and,
FIG. 8 is a cross sectional view taken on line 8-8 of FIG. 6.
The broken lines depicting portions of swing form no part of the claimed design. The dash-dot broken lines are included as boundary lines and form no part of the claimed design.

(56) **References Cited**

U.S. PATENT DOCUMENTS

1,870,748 A * 8/1932 Ramey A63G 9/00
472/118
3,130,969 A * 4/1964 Groth A63G 9/02
472/125
3,411,774 A * 11/1968 Thornton A63G 9/06
472/50
D215,105 S * 9/1969 Cohn D21/823
D260,109 S * 8/1981 Ahrens D21/823
4,296,923 A * 10/1981 Ahrens A63G 9/00
472/118
D274,285 S * 6/1984 Budde D21/825

1 Claim, 7 Drawing Sheets



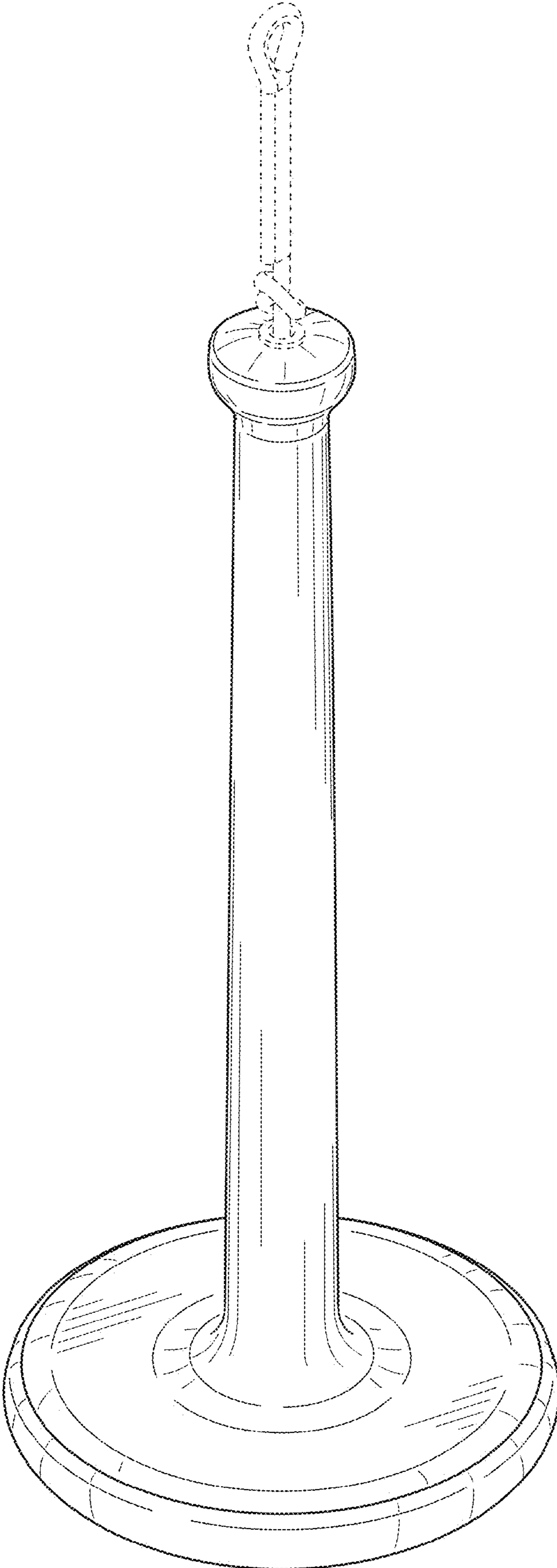


FIG. 1

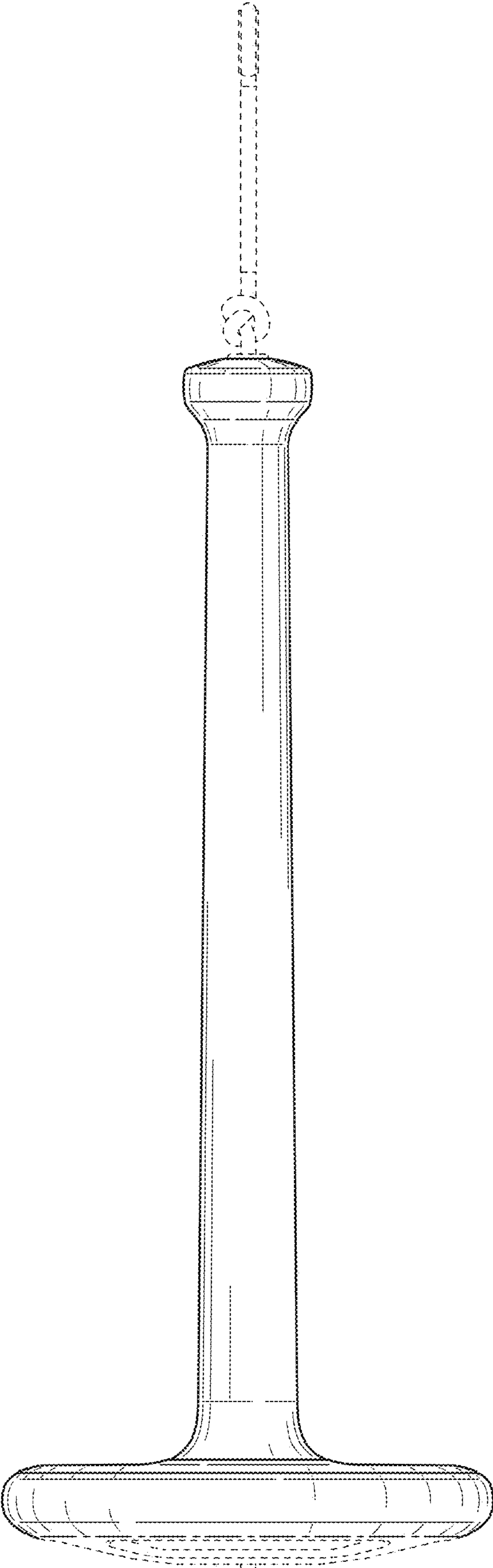


FIG. 2

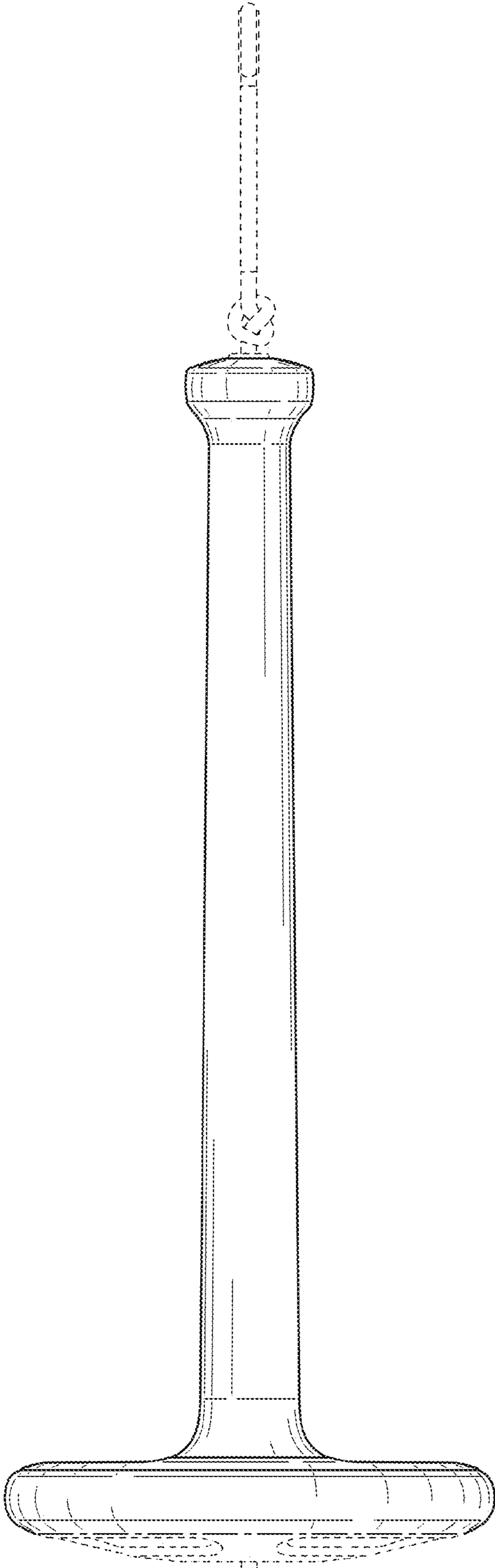


FIG. 3

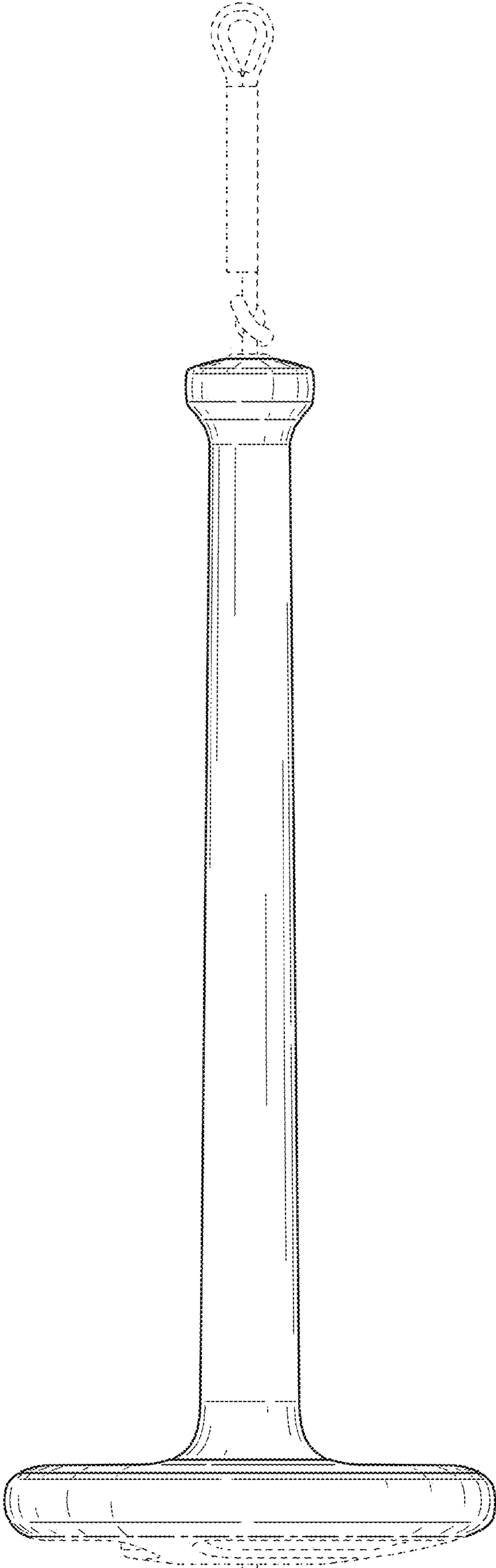


FIG. 4

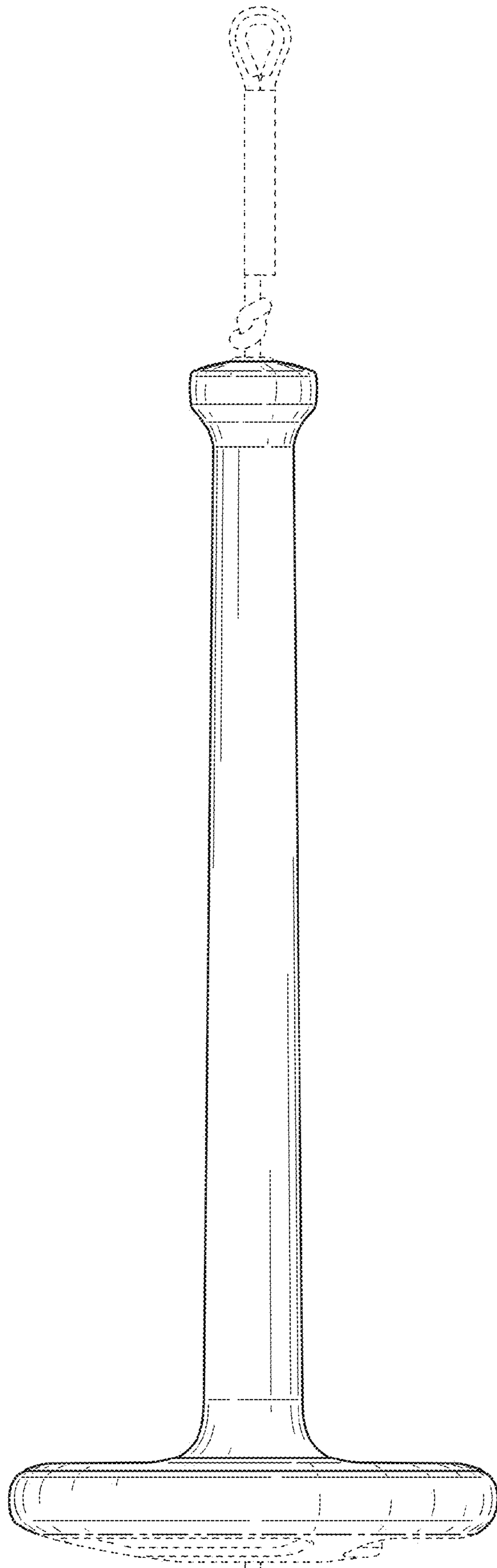


FIG. 5

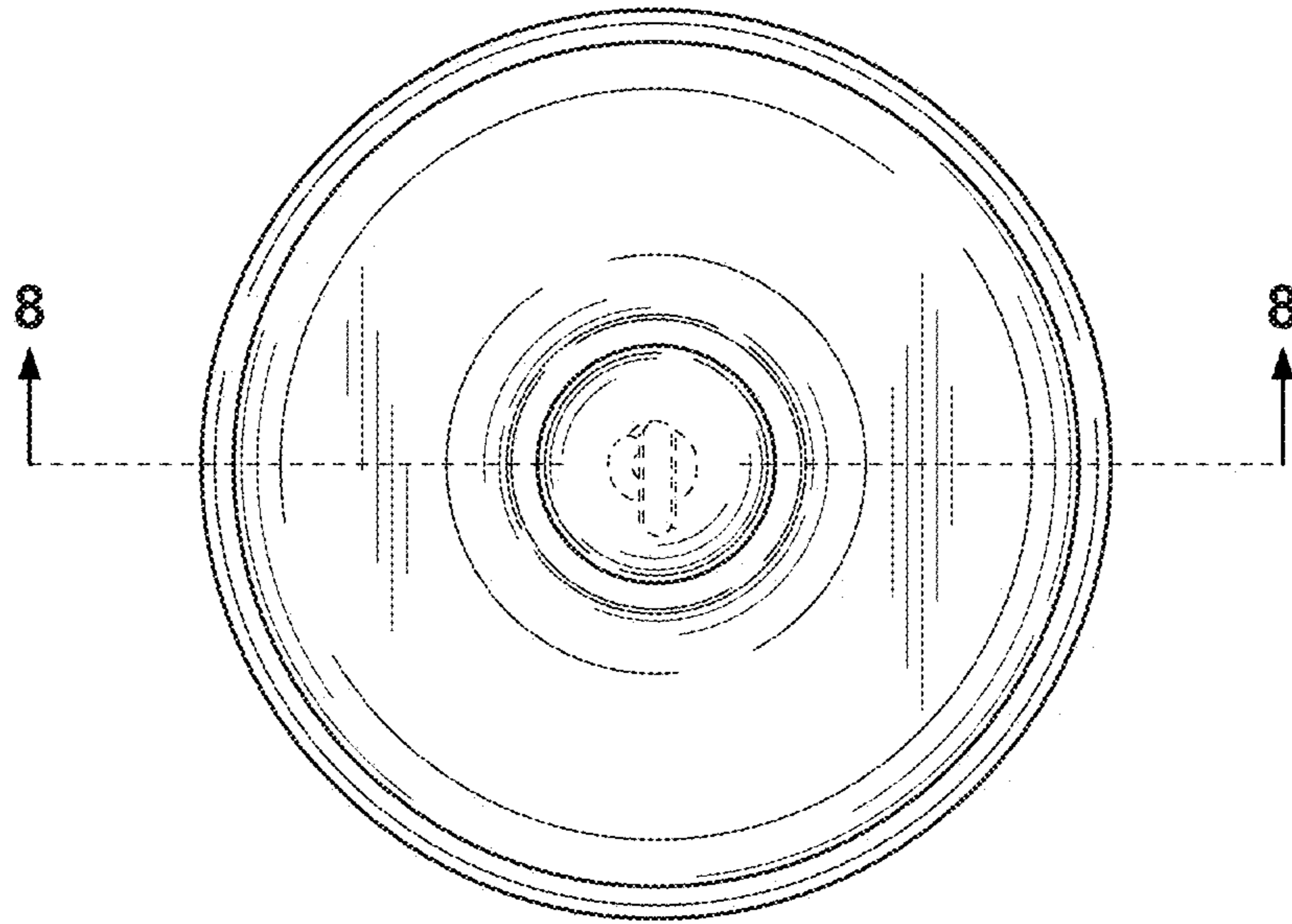


FIG. 6

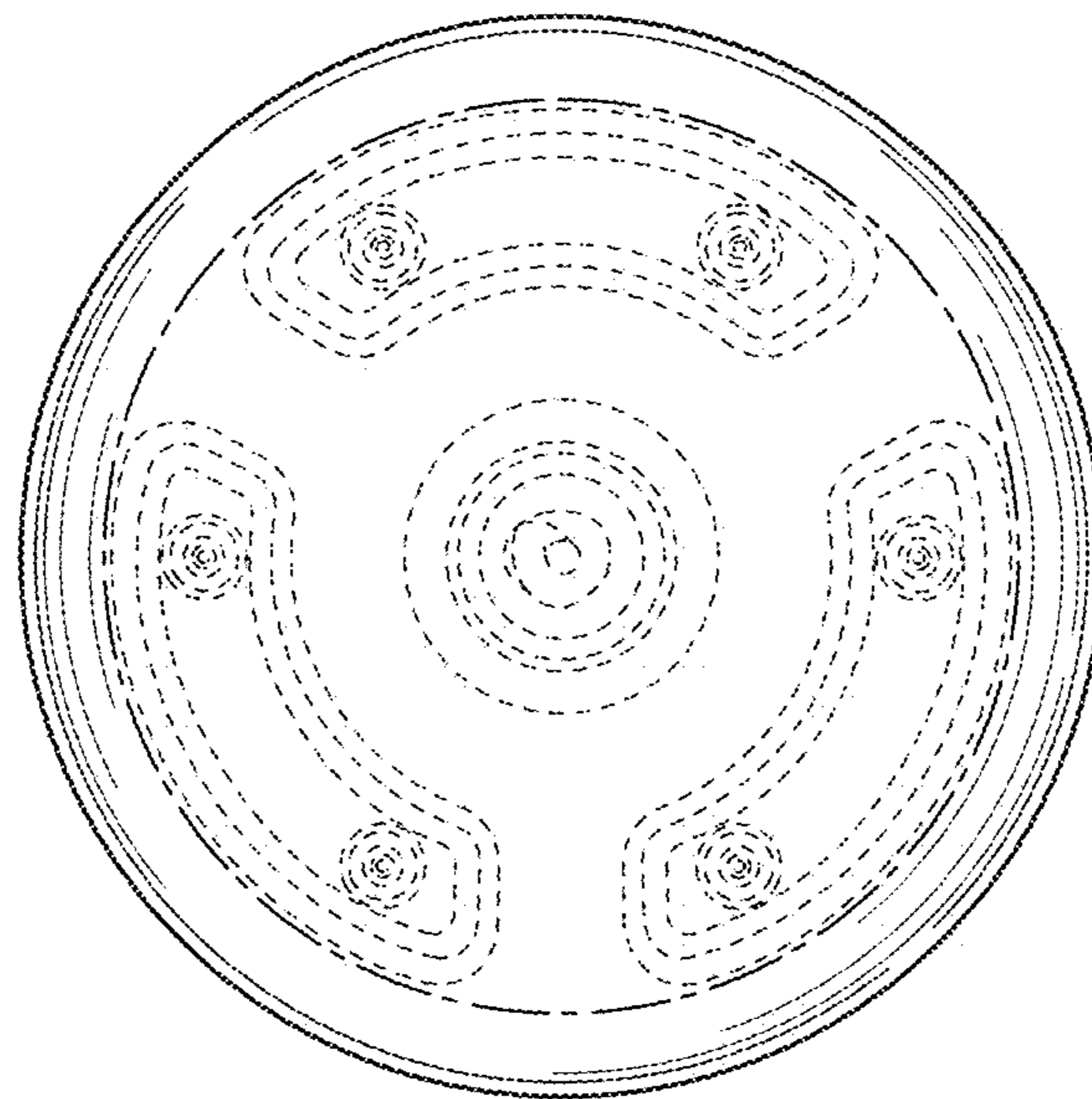


FIG. 7

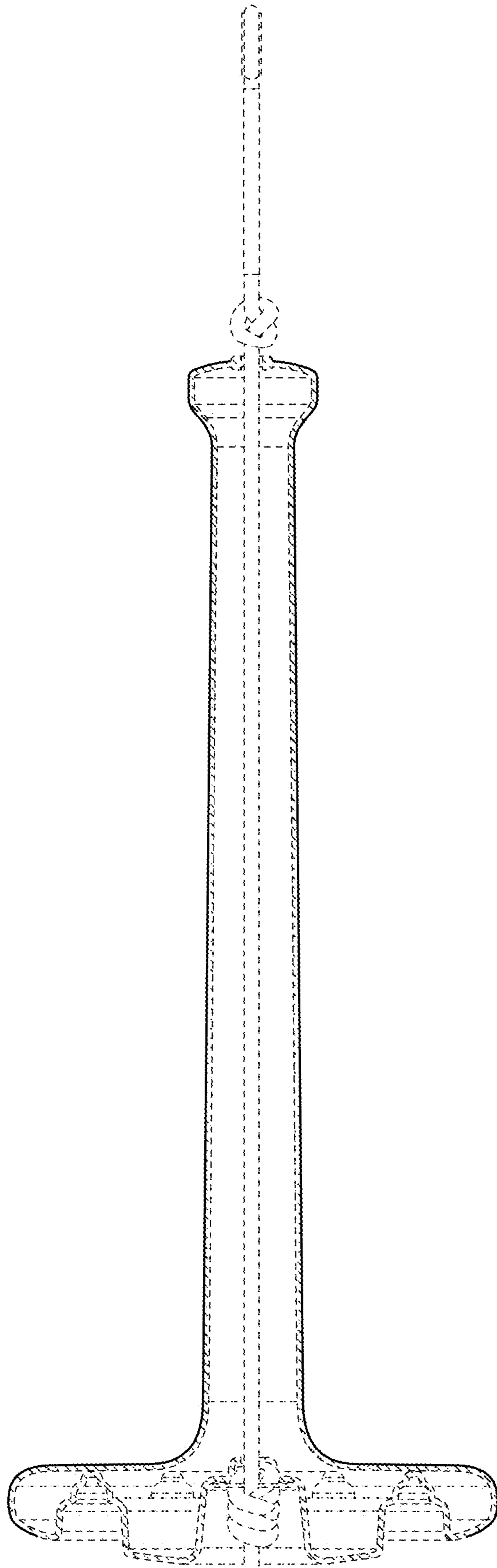


FIG. 8