



US00D934371S

(12) **United States Design Patent** (10) **Patent No.:** **US D934,371 S**  
**Peterson et al.** (45) **Date of Patent:** **\*\* Oct. 26, 2021**

- (54) **WATER SLIDE**
- (71) Applicant: **SDS Asia Limited, BVI #1748971,**  
Hong Kong (CN)
- (72) Inventors: **Leroy L. Peterson,** Omaha, NE (US);  
**Jason Koranda,** Omaha, NE (US)
- (73) Assignee: **SDS Asia Limited, BVI #1748971,**  
Hong Kong (CN)

- 5,154,671 A \* 10/1992 Smollar ..... A63G 31/007  
472/117
- 5,505,663 A \* 4/1996 Goulart ..... A63G 21/00  
14/70
- 5,551,911 A 9/1996 Katz et al.
- 5,551,922 A \* 9/1996 Katz ..... A63C 19/00  
4/494
- D382,619 S \* 8/1997 Peterson ..... D21/818
- D388,148 S \* 12/1997 Sutton ..... D21/818
- 6,062,983 A \* 5/2000 Butsook ..... A63G 21/18  
4/488

(Continued)

- (\*\*) Term: **15 Years**
- (21) Appl. No.: **29/717,286**
- (22) Filed: **Dec. 16, 2019**

*Primary Examiner* — Mitchell I. Siegel  
(74) *Attorney, Agent, or Firm* — Suiter Swantz pc llo

(57) **CLAIM**

The ornamental design for a water slide, as shown and described.

**Related U.S. Application Data**

- (63) Continuation of application No. 29/711,493, filed on Oct. 31, 2019.
- (51) **LOC (13) Cl.** ..... **21-03**
- (52) **U.S. Cl.**  
USPC ..... **D21/819**
- (58) **Field of Classification Search**  
USPC ..... D21/818–822, 811, 814  
CPC ..... A63G 21/00–22  
See application file for complete search history.

**DESCRIPTION**

FIG. 1 is a perspective view showing our new design; FIG. 2 is a top plan view thereof; FIG. 3 is a front elevation view thereof; FIG. 4 is a left side elevation view thereof; FIG. 5 is a rear elevation view thereof; FIG. 6 is a right side elevation view thereof; FIG. 7 is a bottom plan view thereof; FIG. 8 is a perspective view thereof; FIG. 9 is a partial perspective view thereof; FIG. 10 is a partial perspective view thereof; FIG. 11 is a partial perspective view thereof; and, FIG. 12 is a partial perspective view thereof.

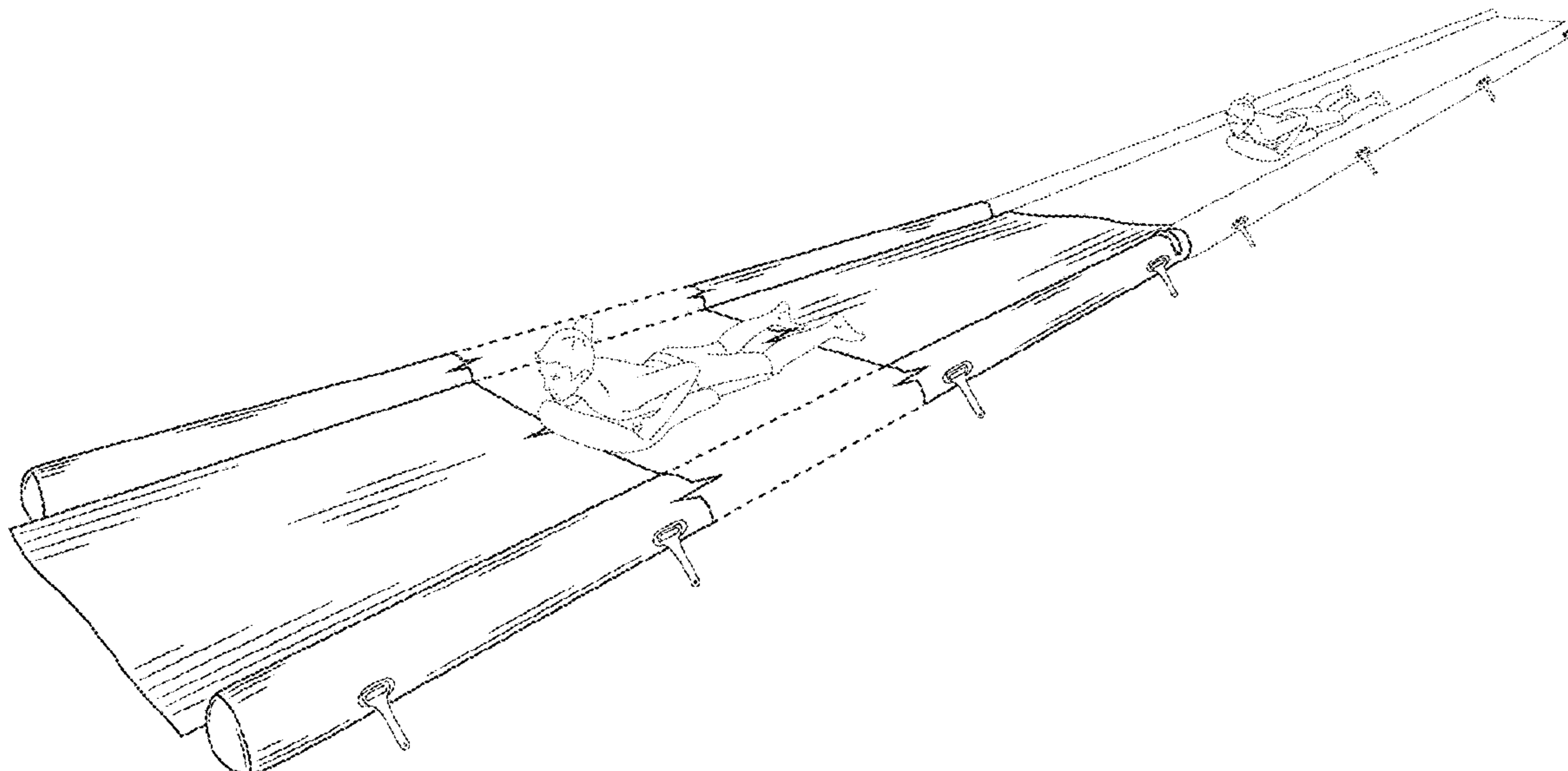
The middle portion of the water slide shown in broken lines indicate indeterminate length and forms no part of the claimed design. The broken line showing of the connection system on the ends of the pontoons, the air valves on the water slide and the attached water slide are included for the purpose of illustrating unclaimed subject matter and forms no part of the claimed design.

(56) **References Cited**

**U.S. PATENT DOCUMENTS**

- 2,982,547 A \* 5/1961 Carrier ..... A63G 21/18  
472/117
- D256,940 S \* 9/1980 Allen, 3rd ..... D21/819
- 4,242,829 A \* 1/1981 Arnstrom ..... A63H 23/16  
403/300
- D260,276 S \* 8/1981 Gehlbach ..... D21/797
- 4,299,171 A \* 11/1981 Larson ..... A63G 3/02  
104/70
- D266,346 S \* 9/1982 Millay ..... D21/819
- D266,937 S \* 11/1982 Dahlgren ..... D21/565

**1 Claim, 12 Drawing Sheets**



(56)

**References Cited**

U.S. PATENT DOCUMENTS

6,312,341 B1 \* 11/2001 Healy ..... A63G 21/18  
472/116  
D460,511 S \* 7/2002 Van Deusen ..... D21/818  
6,419,587 B1 \* 7/2002 Geyer ..... A63G 21/00  
472/116  
D749,180 S \* 2/2016 Goldreyer ..... D21/819  
9,446,323 B2 \* 9/2016 Goldreyer ..... A63G 21/18  
9,511,298 B2 12/2016 Sgromo et al.  
D813,337 S \* 3/2018 Hunter ..... D21/819  
D838,331 S \* 1/2019 Ozsoz ..... D21/819  
D855,727 S \* 8/2019 Hunter ..... D21/819  
D867,509 S \* 11/2019 Peterson ..... D21/819  
D923,127 S \* 6/2021 Peterson ..... D21/819  
2017/0106295 A1 \* 4/2017 Hunter ..... A63G 31/007

\* cited by examiner

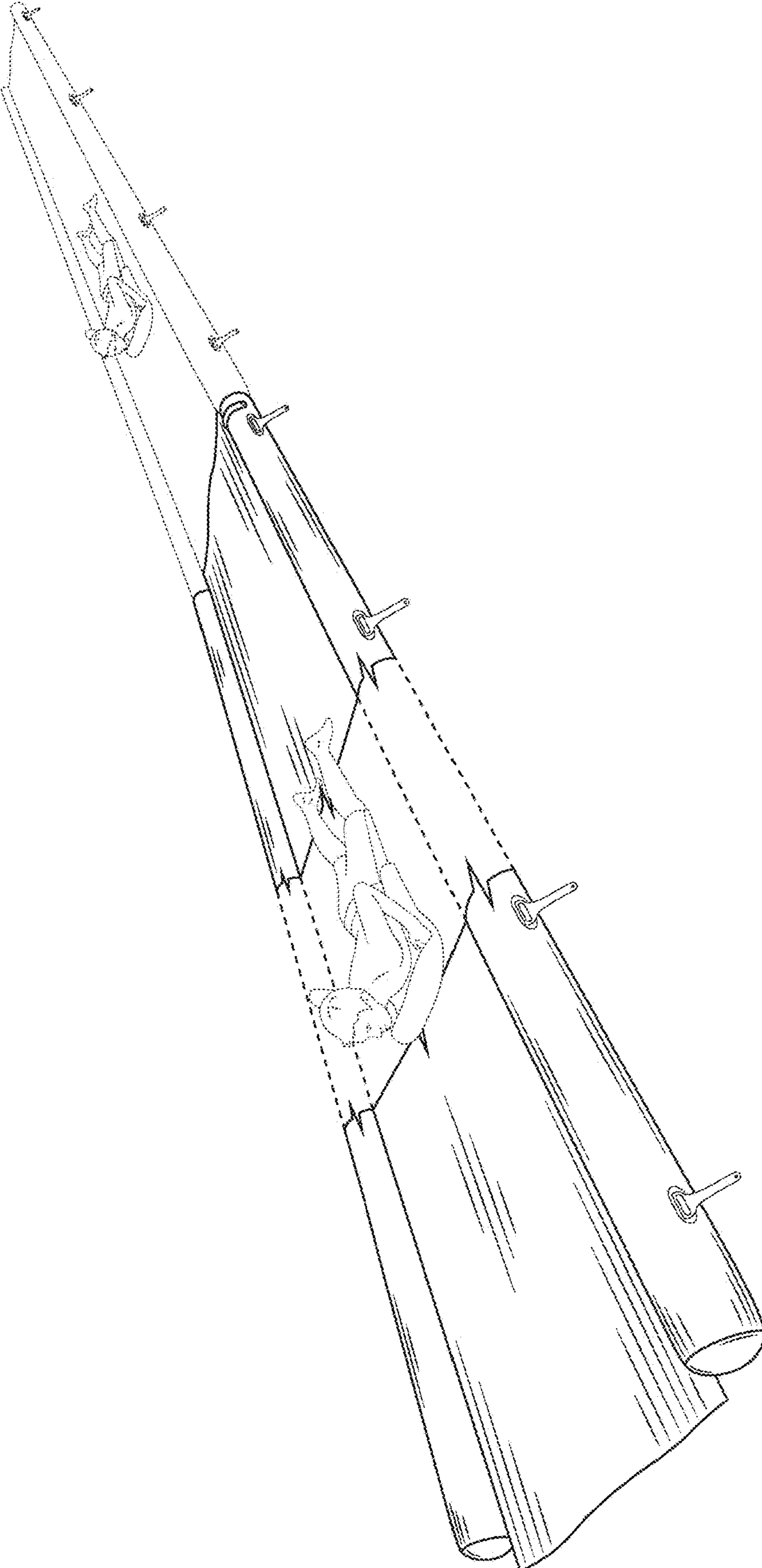


FIG.1

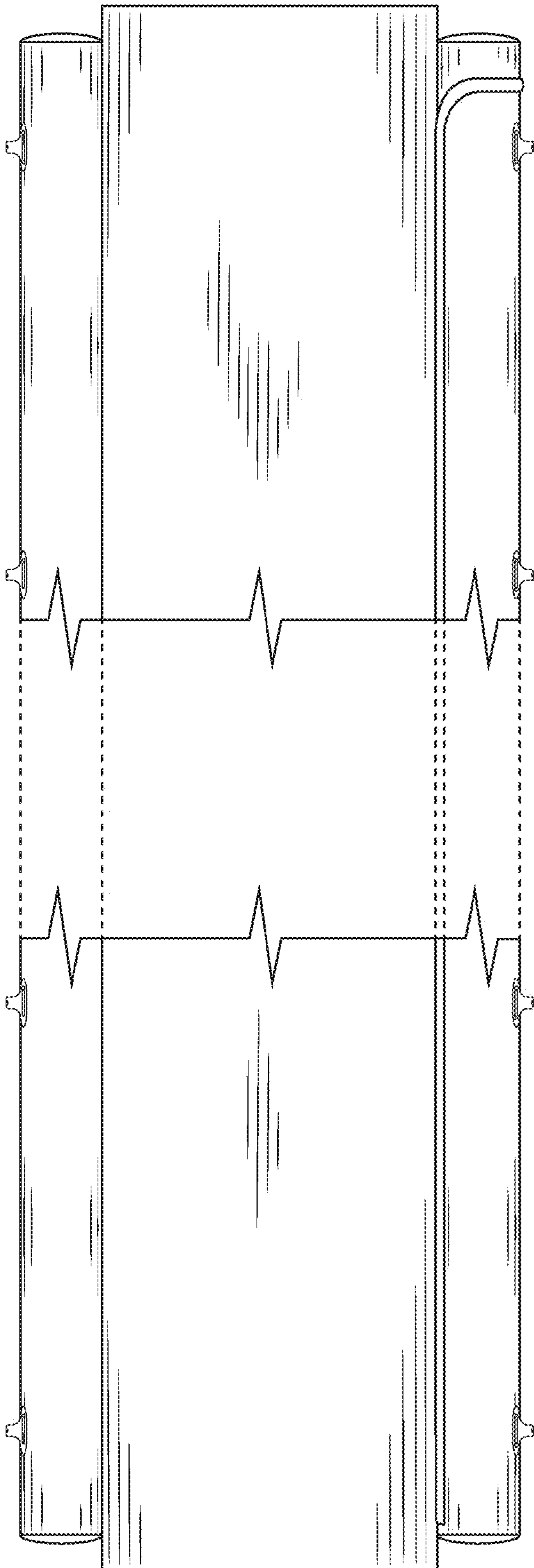


FIG.2

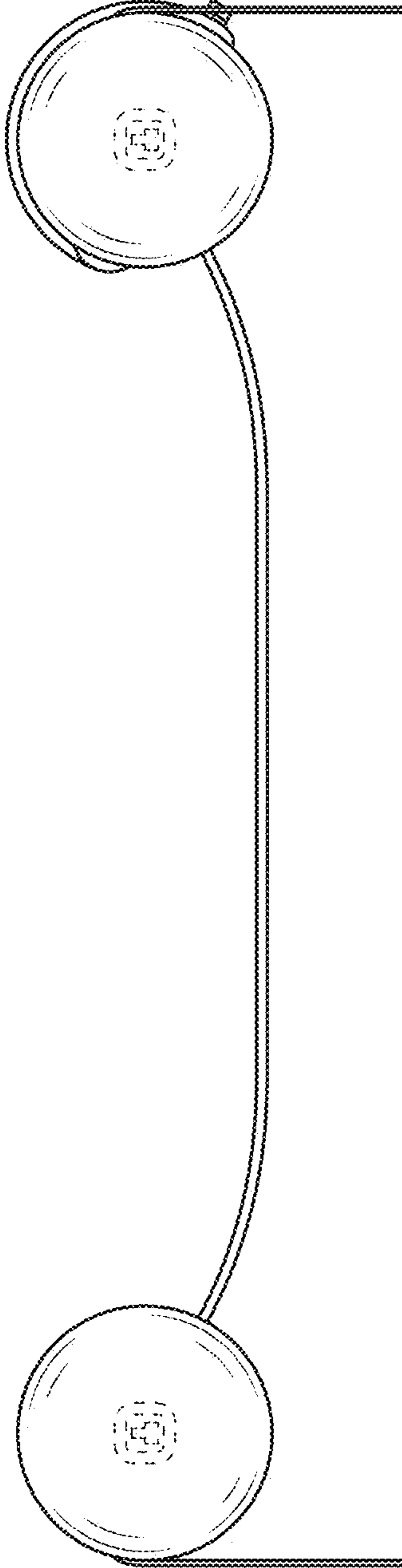


FIG. 3

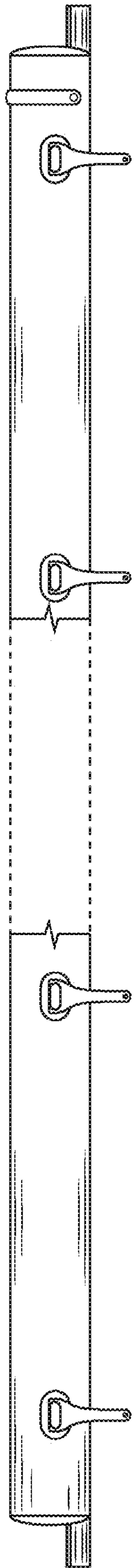


FIG.4

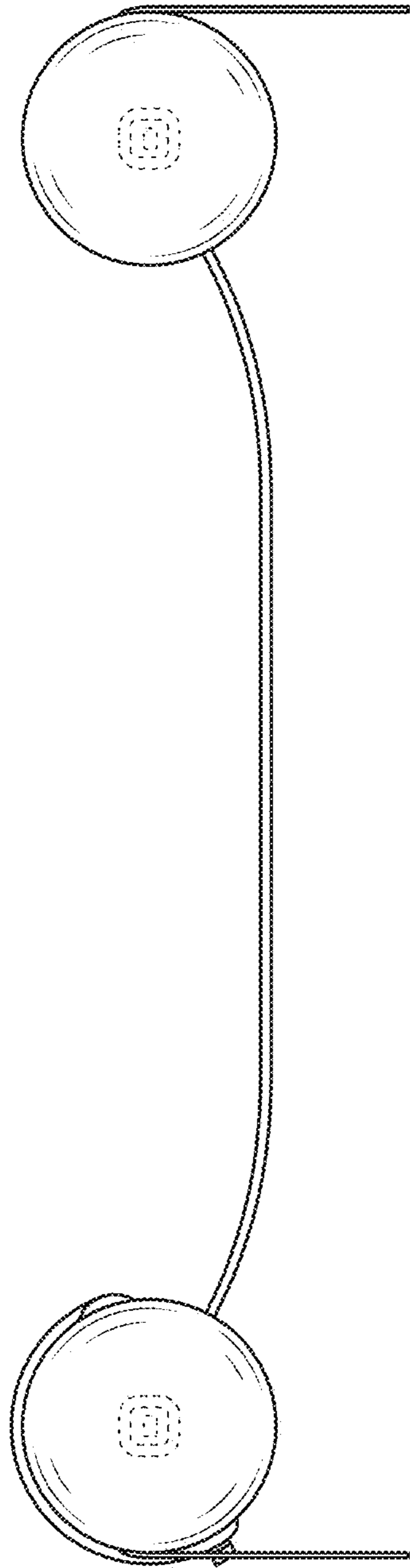


FIG. 5

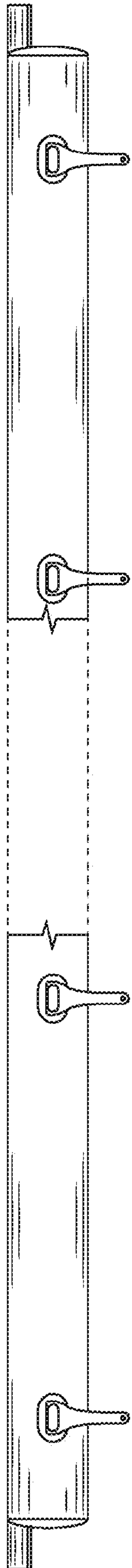


FIG.6



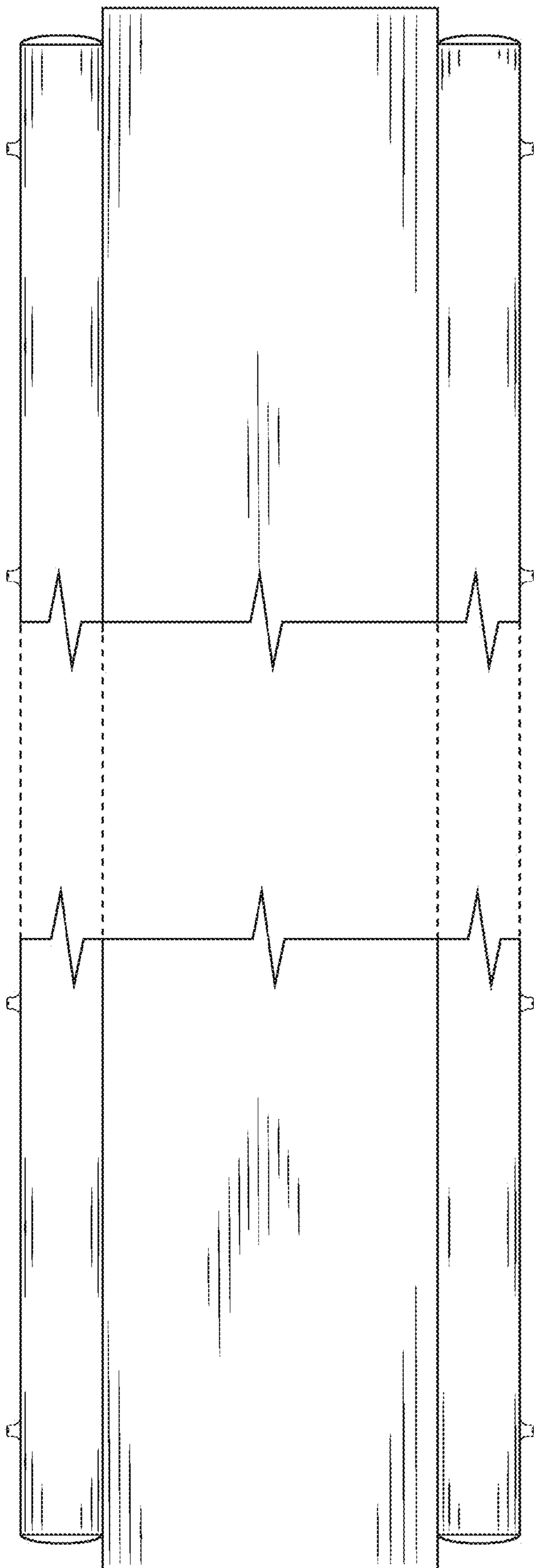


FIG. 7

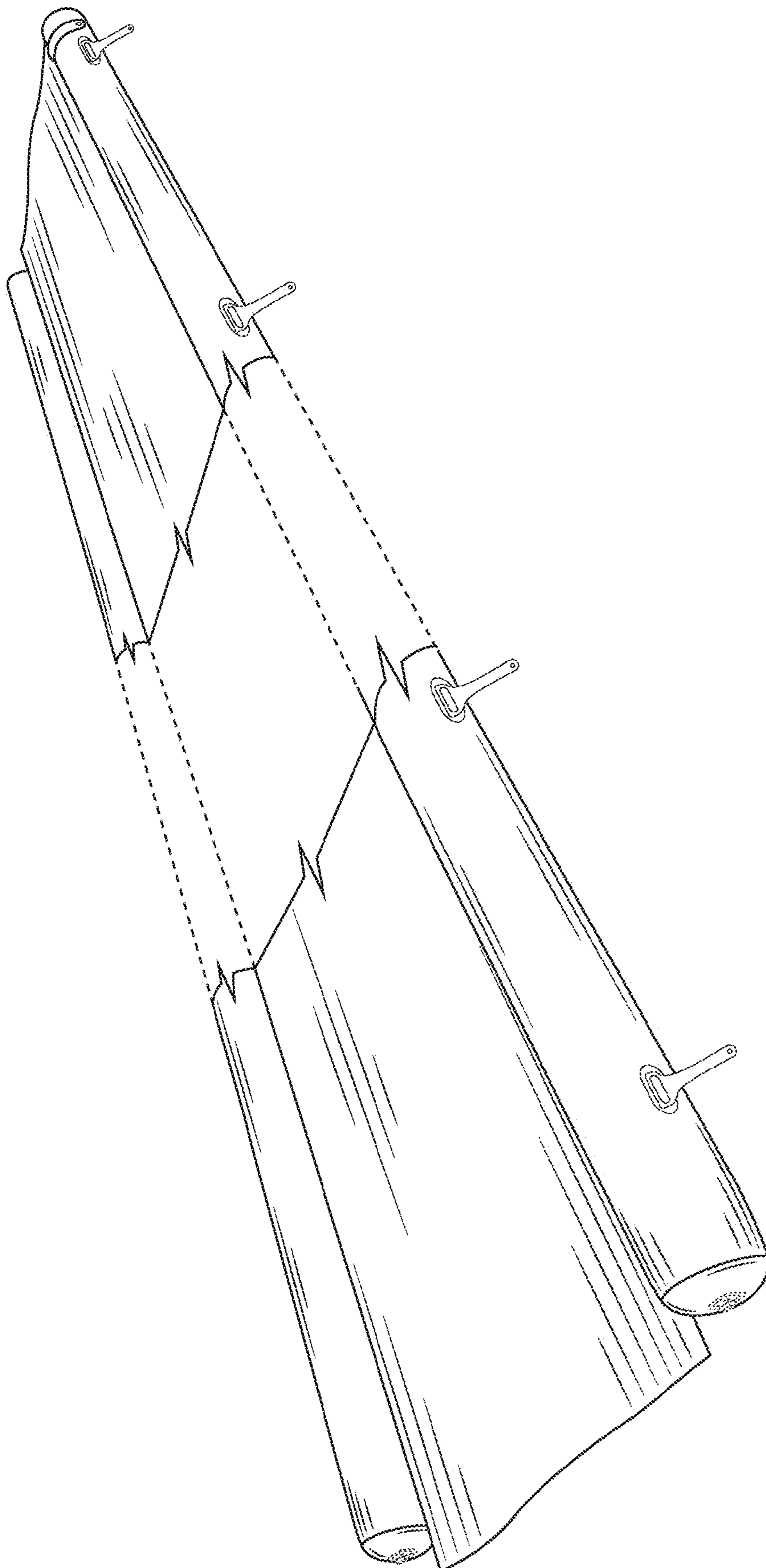


FIG. 8

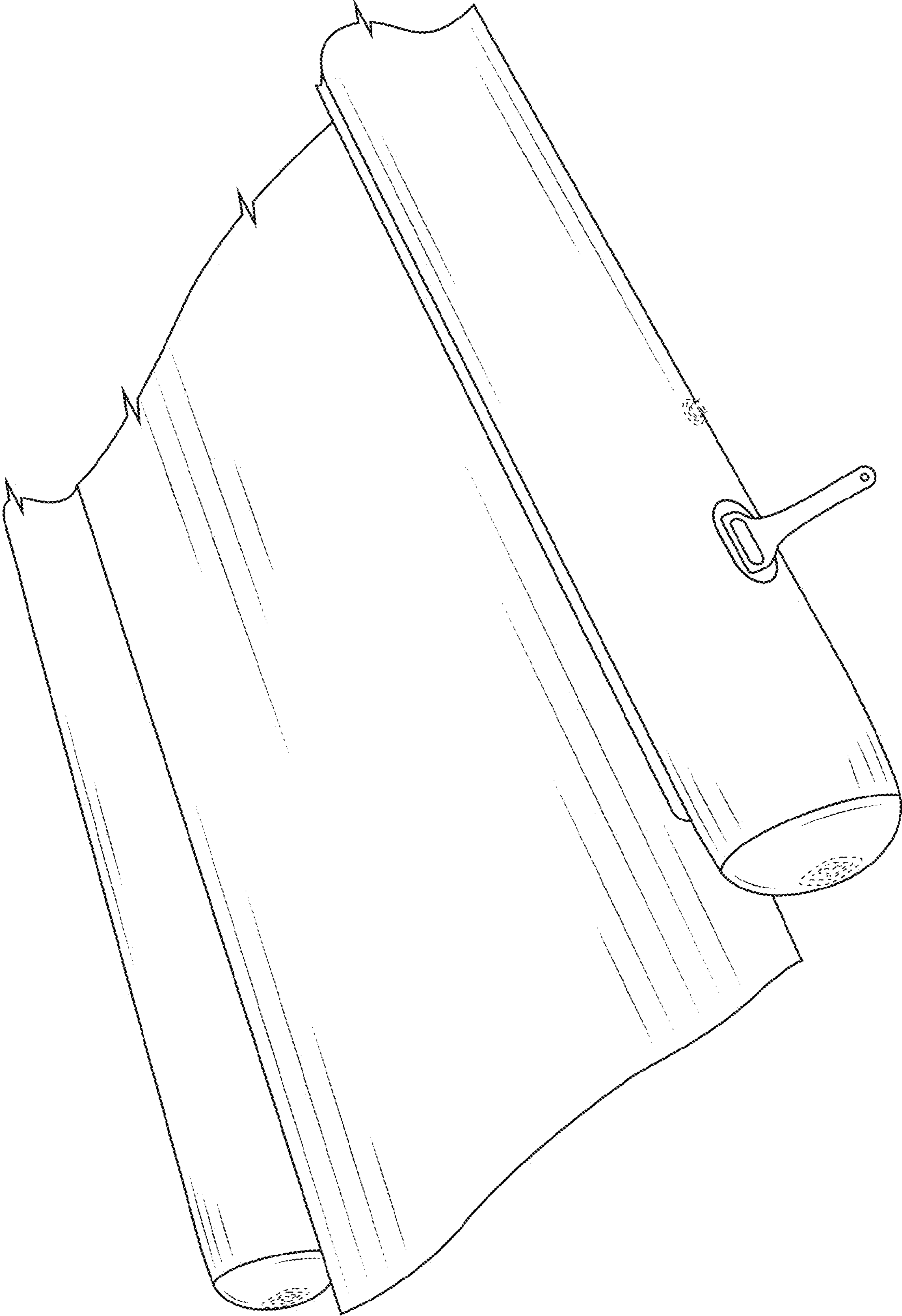


FIG. 9

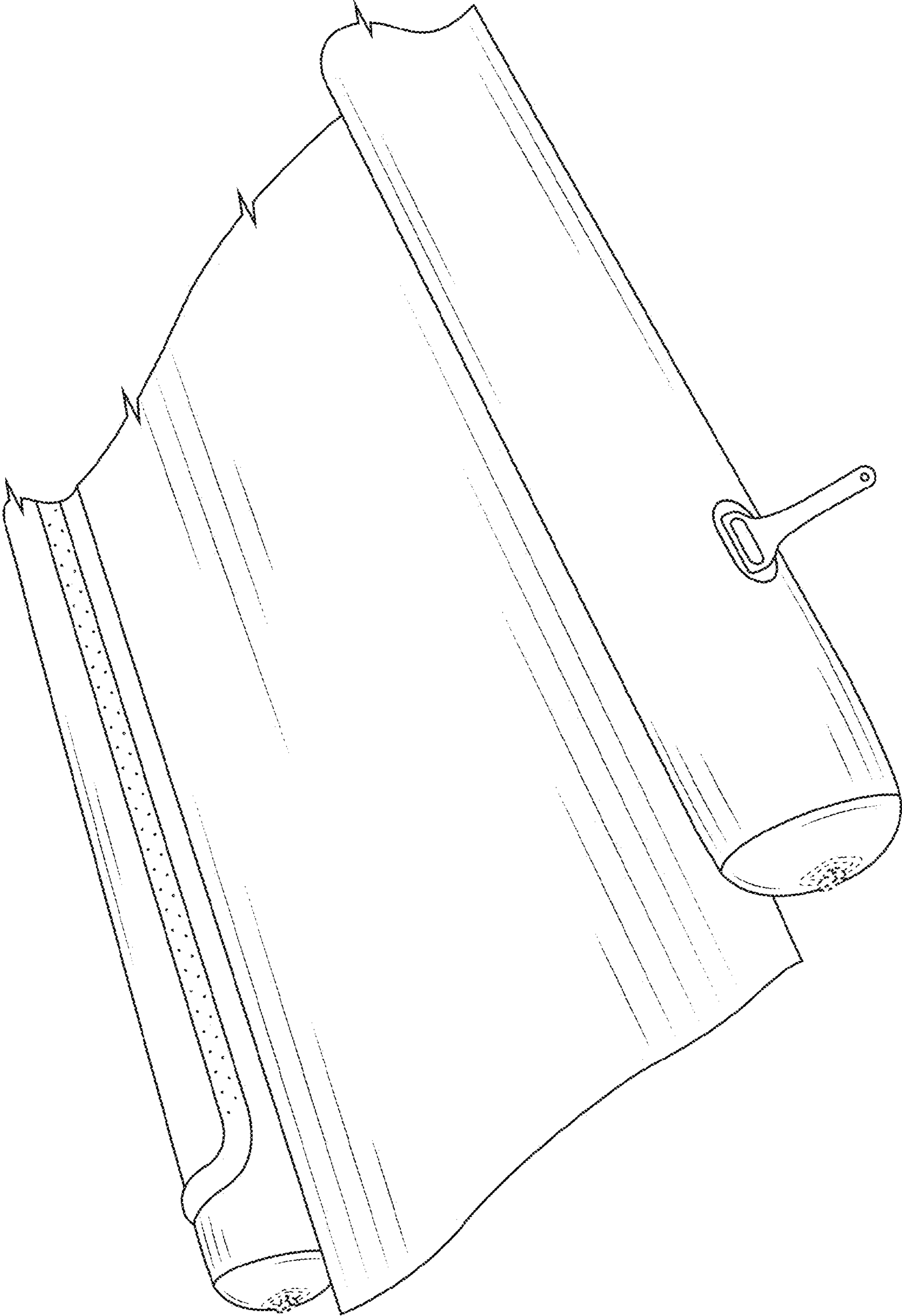


FIG.10

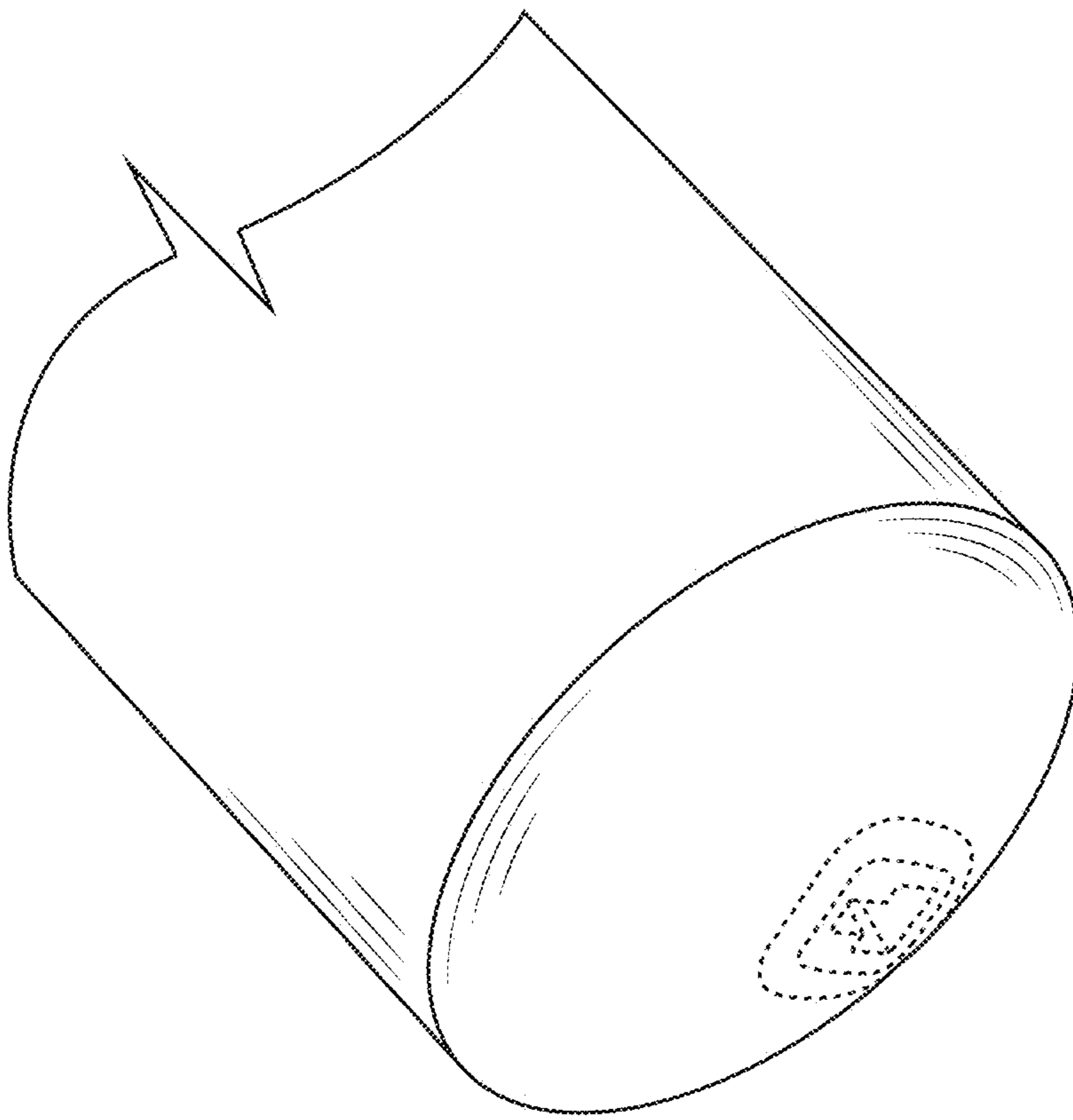


FIG. 11

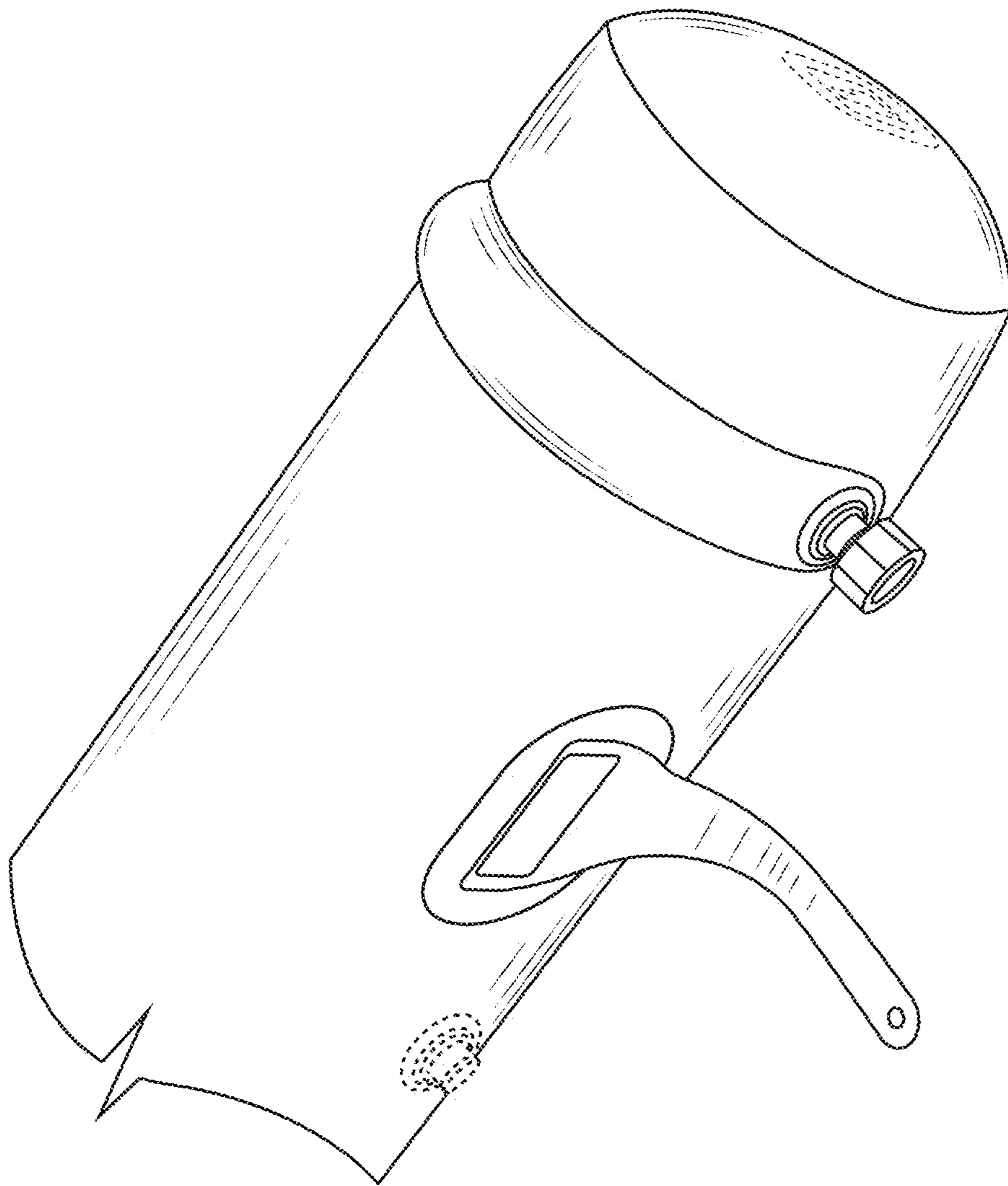


FIG. 12