



US00D934369S

(12) **United States Design Patent**
Couzyn

(10) **Patent No.:** **US D934,369 S**

(45) **Date of Patent:** **** Oct. 26, 2021**

(54) **MODULAR FIN WITH COMMON RAIL SYSTEM**

D852,307 S * 6/2019 Wu D21/806
D861,105 S * 9/2019 Sharpe D21/806
D886,223 S * 6/2020 DiLorenzo D21/806

(71) Applicant: **Rhys James Couzyn**, Ballito (ZA)

* cited by examiner

(72) Inventor: **Rhys James Couzyn**, Ballito (ZA)

Primary Examiner — Zenia I Bennett

(**) Term: **15 Years**

(74) *Attorney, Agent, or Firm* — Jason P. Mueller;
FisherBroyles, LLP

(21) Appl. No.: **29/699,164**

(22) Filed: **Jul. 23, 2019**

(51) **LOC (13) Cl.** **21-02**

(52) **U.S. Cl.**
USPC **D21/806**

(58) **Field of Classification Search**
USPC D21/806, 807
CPC A63B 31/00; A63B 31/02; A63B 31/08;
A63B 31/10; A63B 31/11
See application file for complete search history.

(57) **CLAIM**

The ornamental design for a modular fin with common rail system, as shown and described.

DESCRIPTION

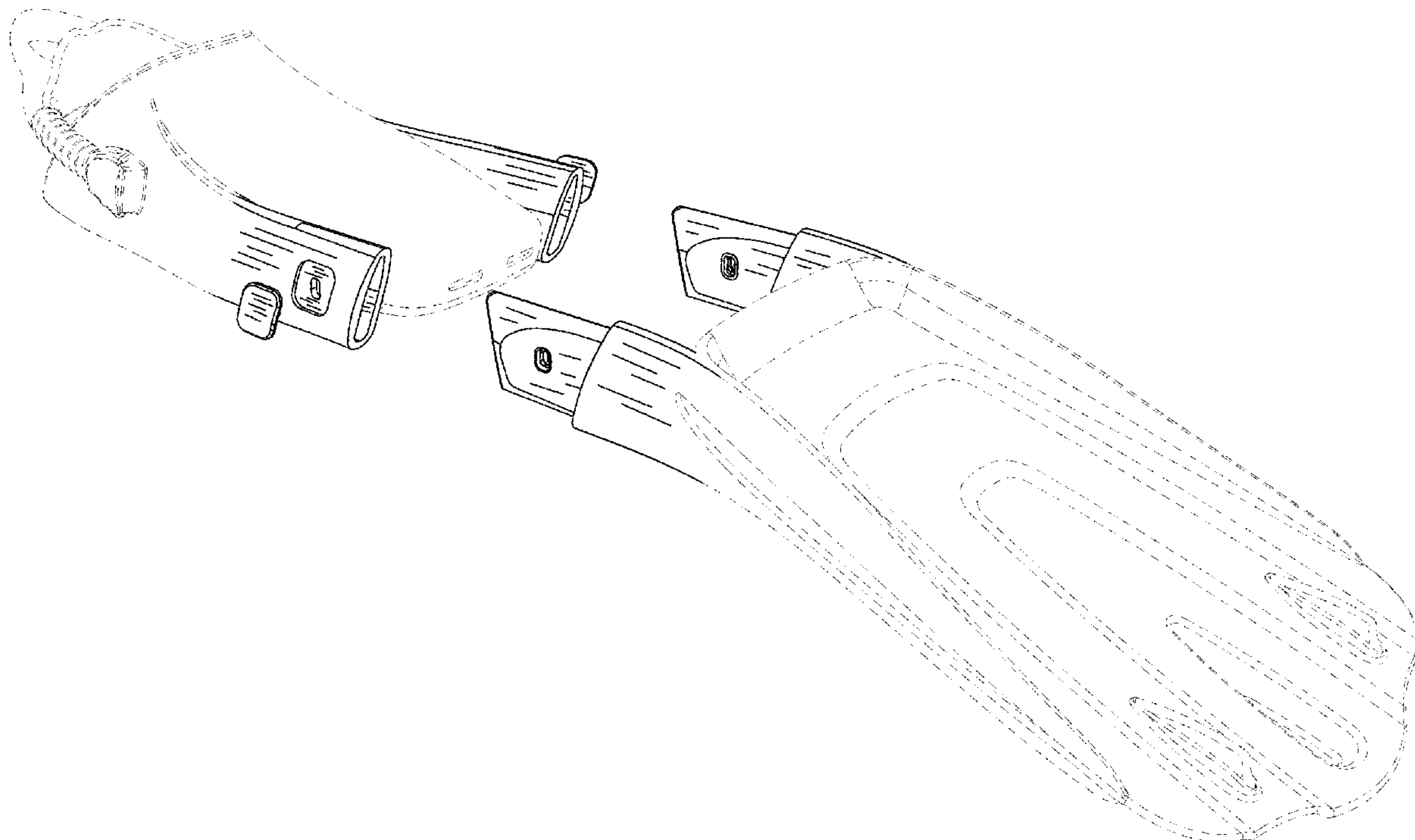
FIG. 1 is a perspective view of a connector rail system of a modular fin;
FIG. 2 is a top view thereof;
FIG. 3 is a bottom view thereof;
FIG. 4 is a right side elevation view thereof;
FIG. 5 is a left side elevation view thereof;
FIG. 6 is a perspective exploded view thereof; and,
FIG. 7 is a top exploded view thereof.
The broken lines depicting the portions of the swim fin are for illustrative purposes and do not form part of the claimed design.

(56) **References Cited**

U.S. PATENT DOCUMENTS

D586,872 S * 2/2009 Couzyn D21/806
D646,740 S * 10/2011 Portas D21/806
D704,292 S * 5/2014 Garraffa D21/806
D796,615 S * 9/2017 Mix D21/806
D822,138 S * 7/2018 Hu D21/806

1 Claim, 7 Drawing Sheets



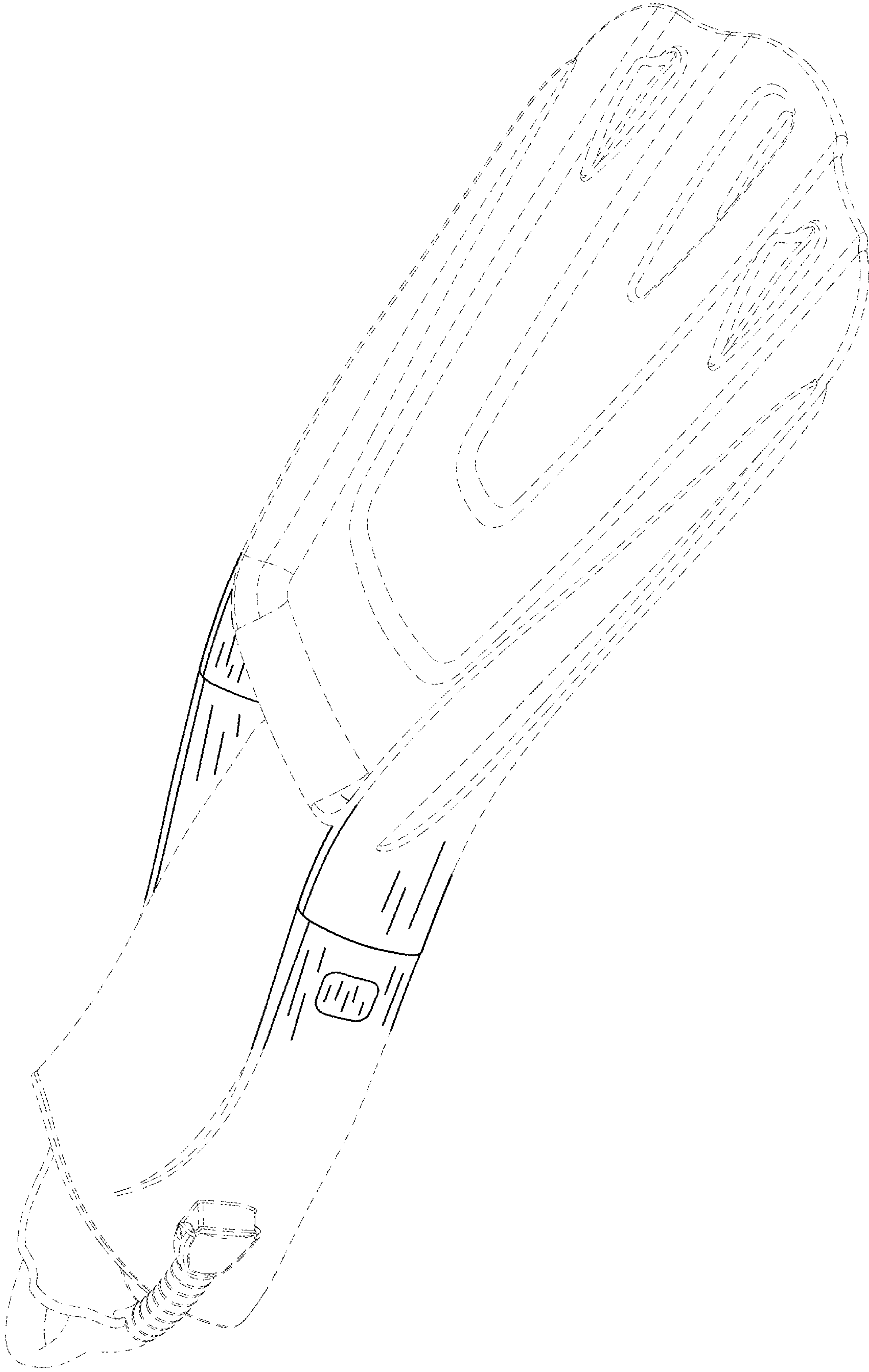


FIG. 1

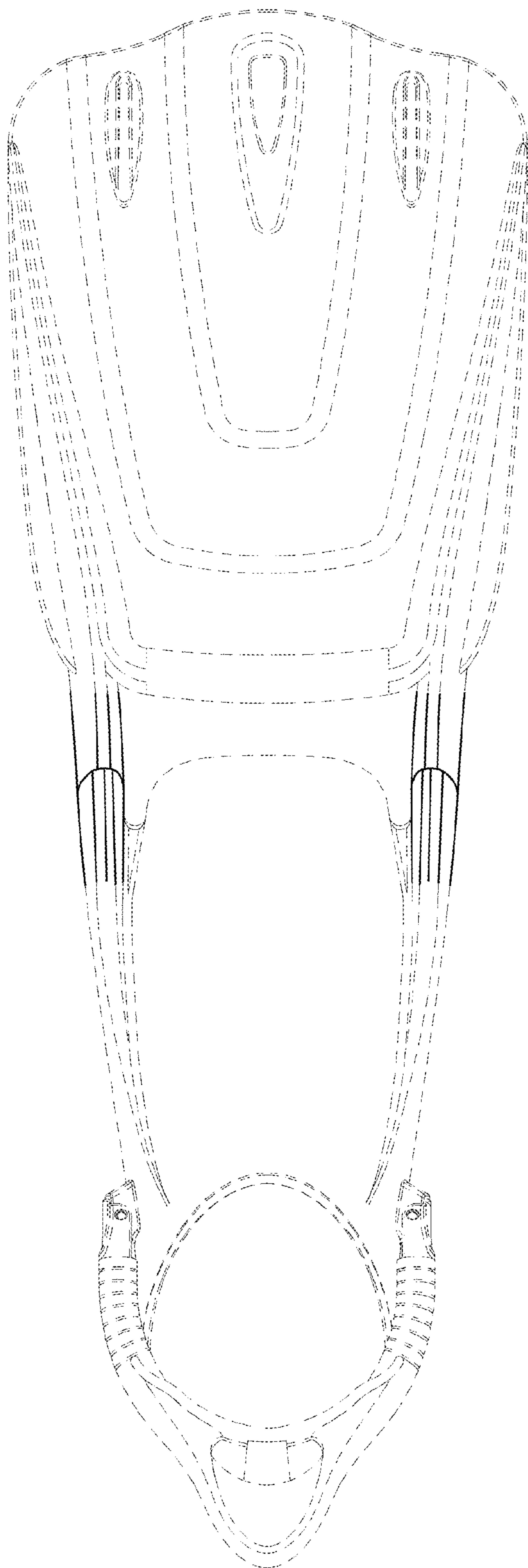


FIG. 2

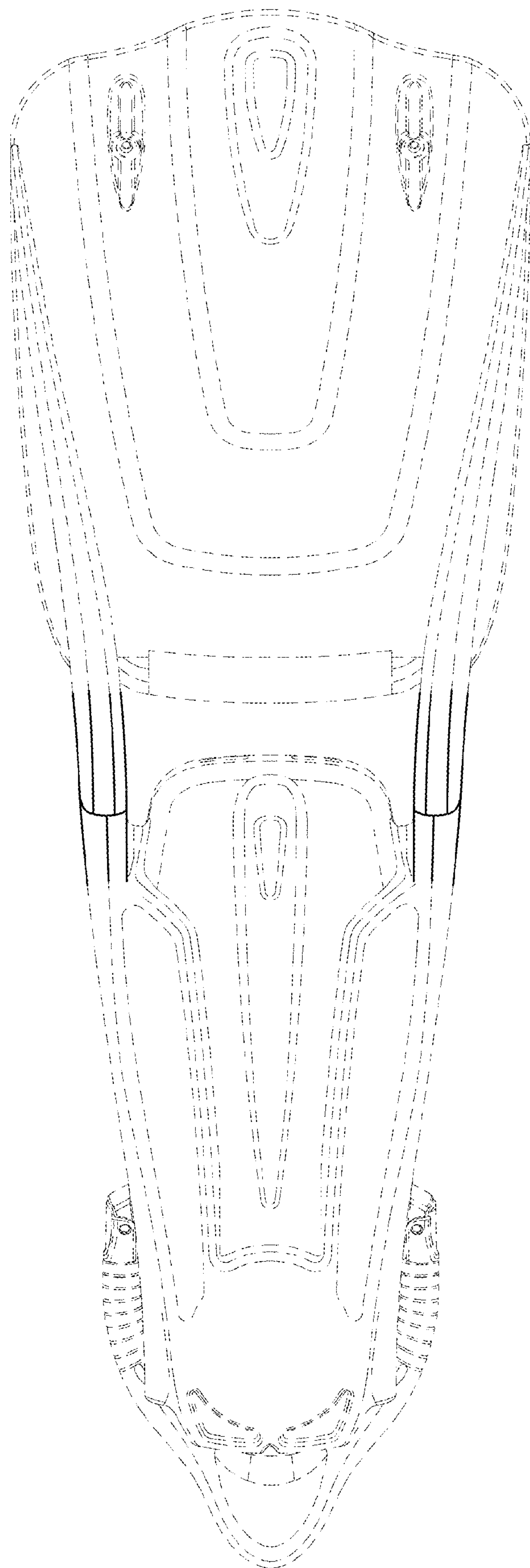


FIG. 3

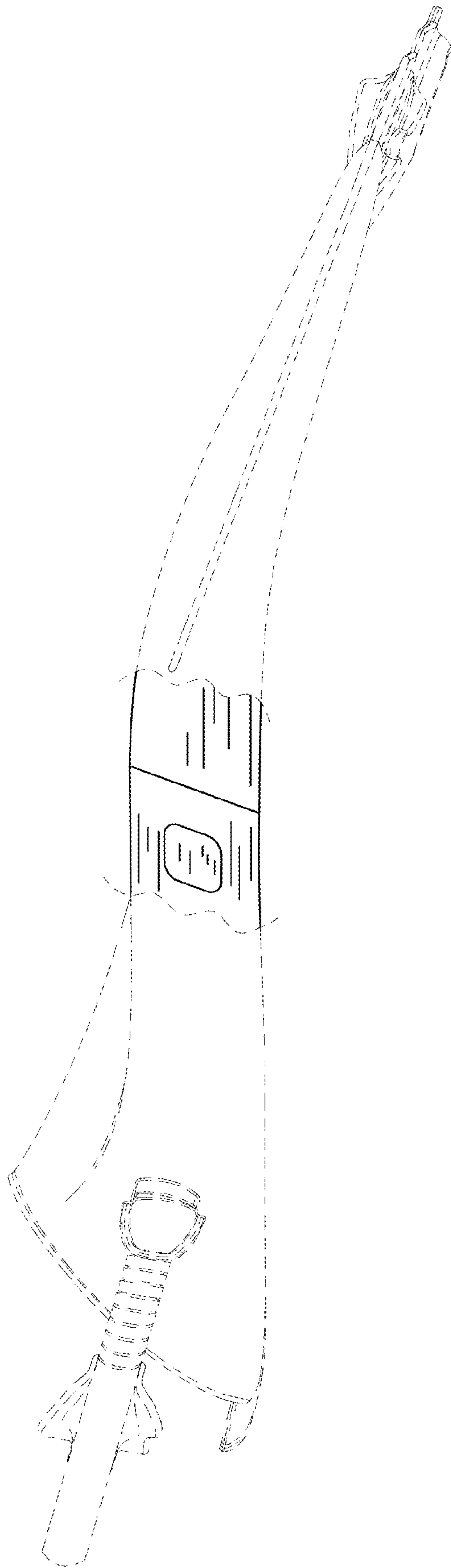


FIG. 4

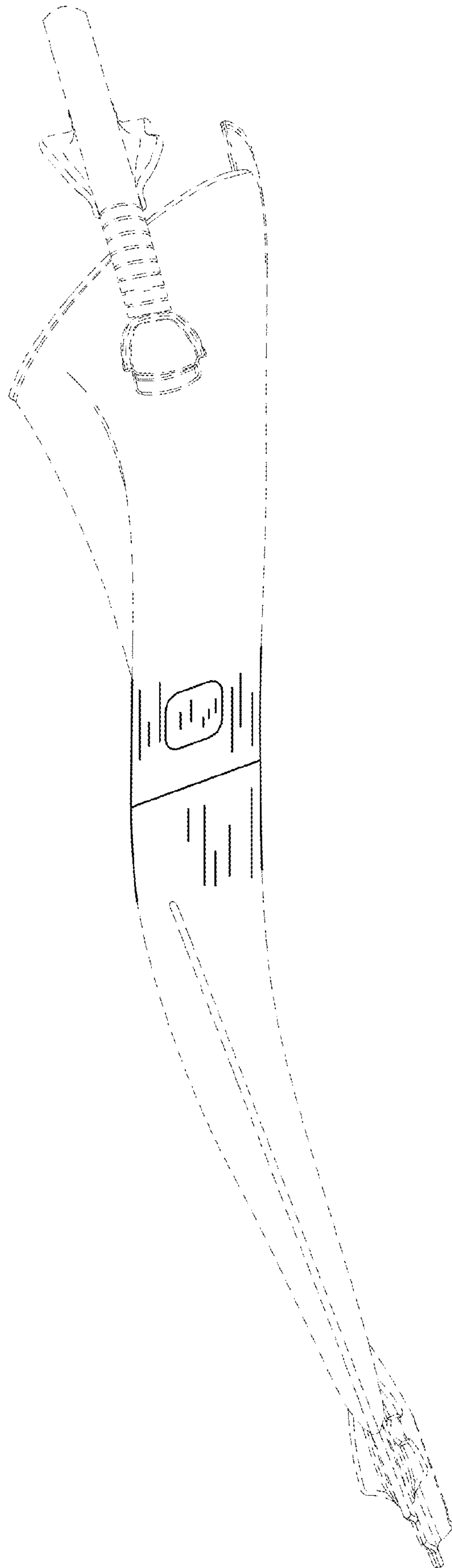


FIG. 5

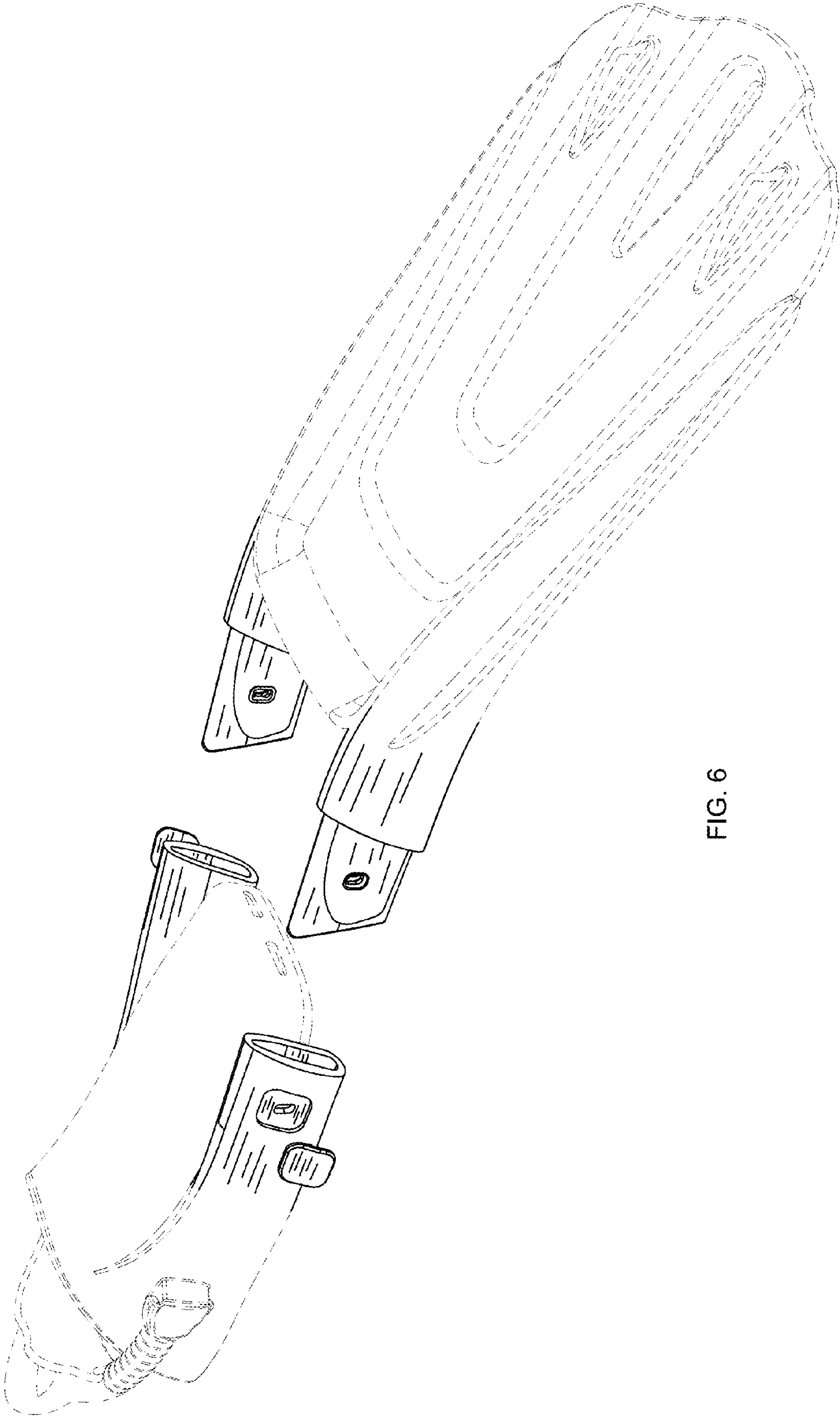


FIG. 6

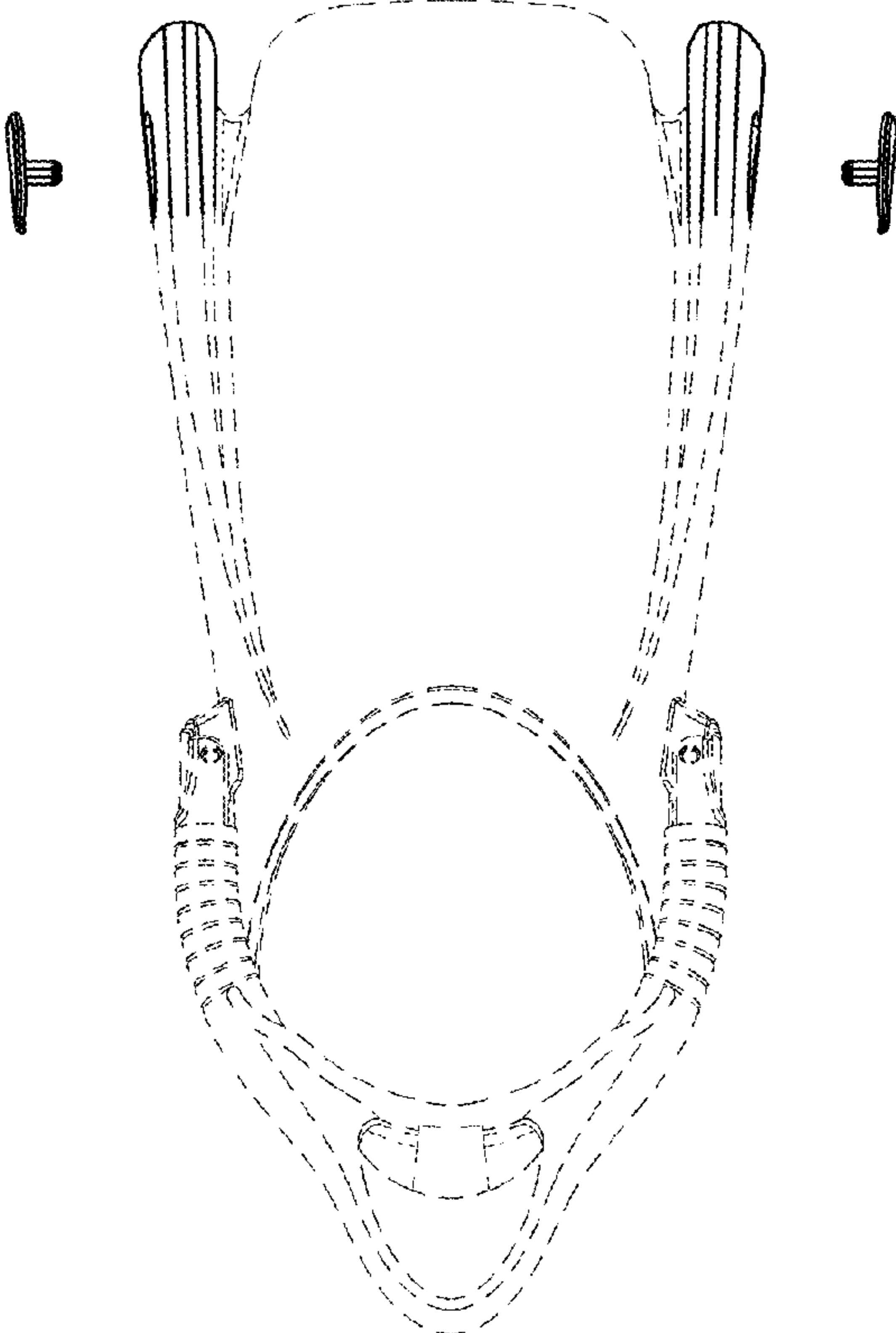
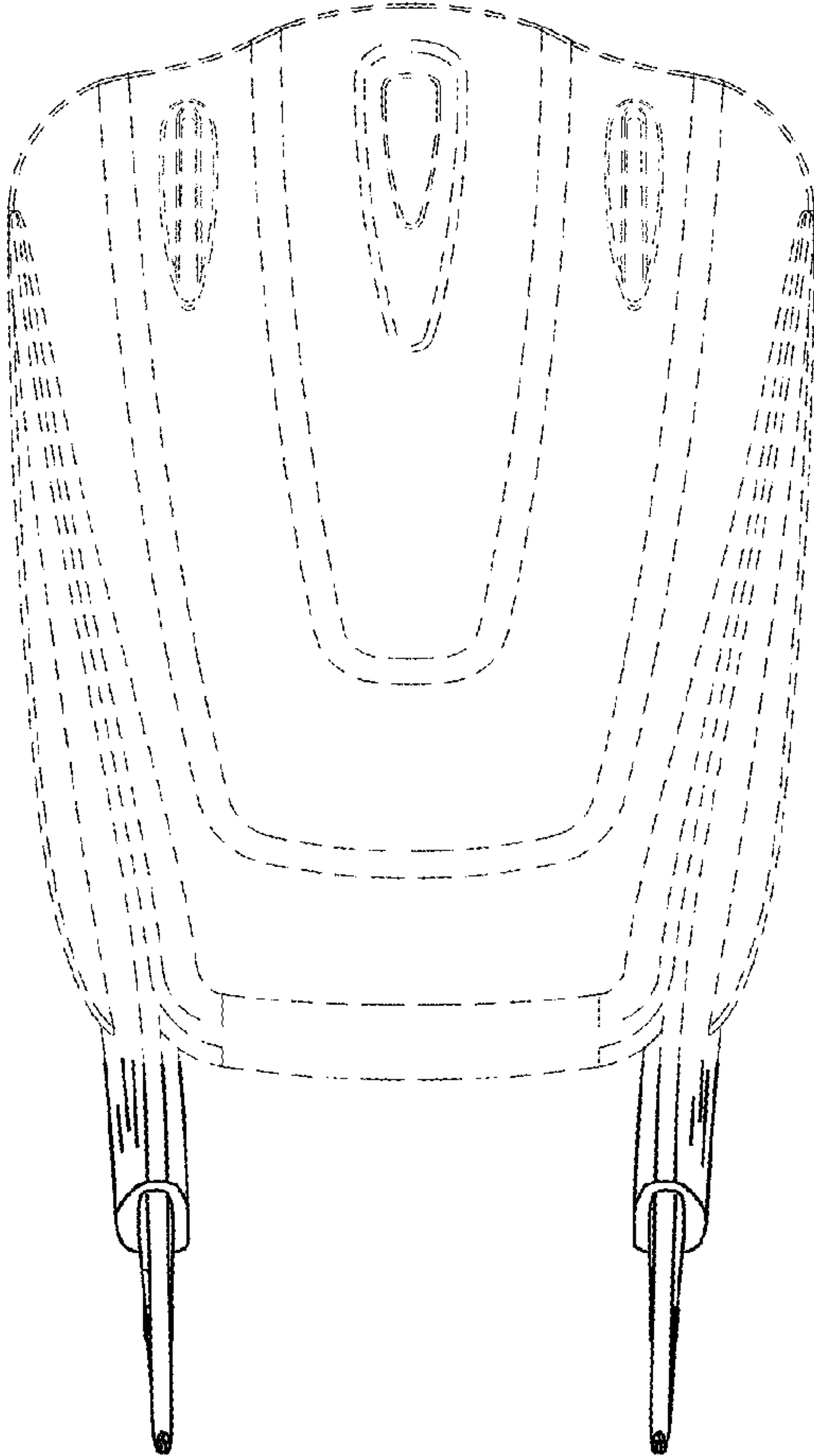


FIG. 7