



US00D934368S

(12) **United States Design Patent**  
**Peterson**

(10) **Patent No.:** **US D934,368 S**

(45) **Date of Patent:** **\*\* Oct. 26, 2021**

(54) **INFLATABLE TOWABLE VEHICLE**

(71) Applicant: **SDS Asia Limited, BVI #1748971,**  
Hong Kong (CN)

(72) Inventor: **Leroy L. Peterson,** Omaha, NE (US)

(73) Assignee: **SDS Asia Limited, BVI #1748971,**  
Hong Kong (CN)

(\*\*) Term: **15 Years**

(21) Appl. No.: **29/701,295**

(22) Filed: **Aug. 9, 2019**

(51) **LOC (13) Cl.** ..... **21-02**

(52) **U.S. Cl.**  
USPC ..... **D21/803**

(58) **Field of Classification Search**  
USPC ..... D21/416, 417, 419, 620, 801, 803, 804,  
D21/808, 809, 810, 828; 441/35, 40, 41,  
441/65, 66, 67, 72, 73, 74, 80, 87, 88,  
441/129, 130, 131, 132, 136  
CPC ..... A63B 31/00  
See application file for complete search history.

(56) **References Cited**

**U.S. PATENT DOCUMENTS**

5,006,087 A \* 4/1991 Peterson ..... B63B 7/08  
114/345  
D393,682 S \* 4/1998 Peterson ..... D21/809  
D705,375 S \* 5/2014 Rubey ..... D21/803  
D888,177 S \* 6/2020 Peterson ..... D21/803

**OTHER PUBLICATIONS**

“WOW World of Watersports Weiner Dog 2 Towable Tube” avail-  
able Jul. 14, 2020, [online], [site visited Sep. 17, 2020]. Retrieved

from Internet, URL: <https://www.walmart.com/ip/WOW-World-of-Watersports-Weiner-Dog-2-Towable-Tube/694619030> (Year: 2020).\*

\* cited by examiner

*Primary Examiner* — Michael C Stout  
*Assistant Examiner* — Katrina N Gonzalez

(74) *Attorney, Agent, or Firm* — Suiter Swantz pc llo

(57) **CLAIM**

The ornamental design for an inflatable towable vehicle, as shown and described.

**DESCRIPTION**

FIG. 1 is a perspective view of an inflatable towable vehicle, showing our design.

FIG. 2 is another perspective thereof;

FIG. 3 is a top plan view thereof;

FIG. 4 is a bottom plan view thereof;

FIG. 5 is a front elevation view thereof;

FIG. 6 is a rear elevation view thereof;

FIG. 7 is a right side elevation view thereof;

FIG. 8 is a left side elevation view thereof;

FIG. 9 is another perspective view of the inflatable towable vehicle of FIG. 1, but shown with different broken line subject matter.

FIG. 10 is another perspective thereof;

FIG. 11 is a top plan view thereof;

FIG. 12 is a bottom plan view thereof;

FIG. 13 is a front elevation view thereof;

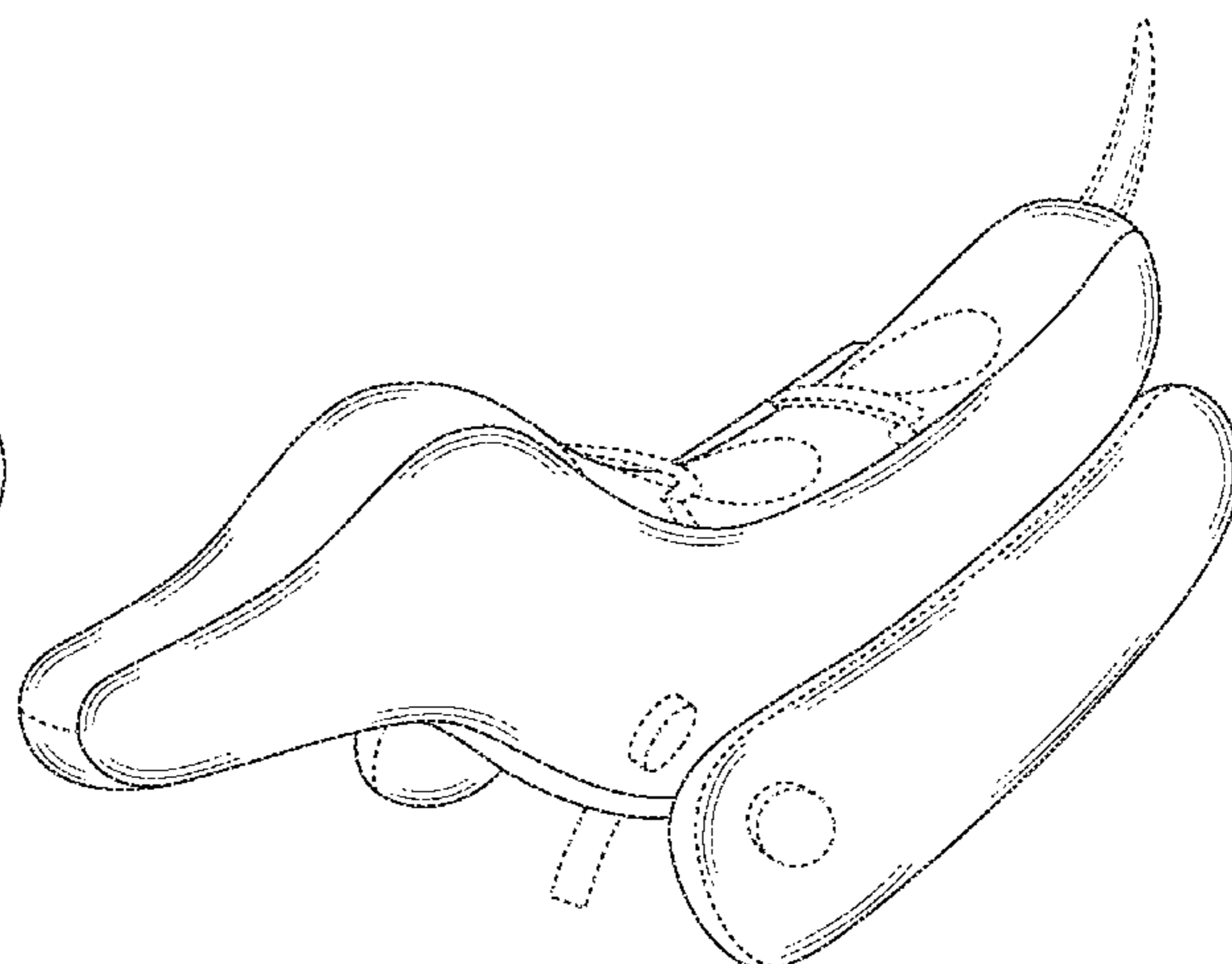
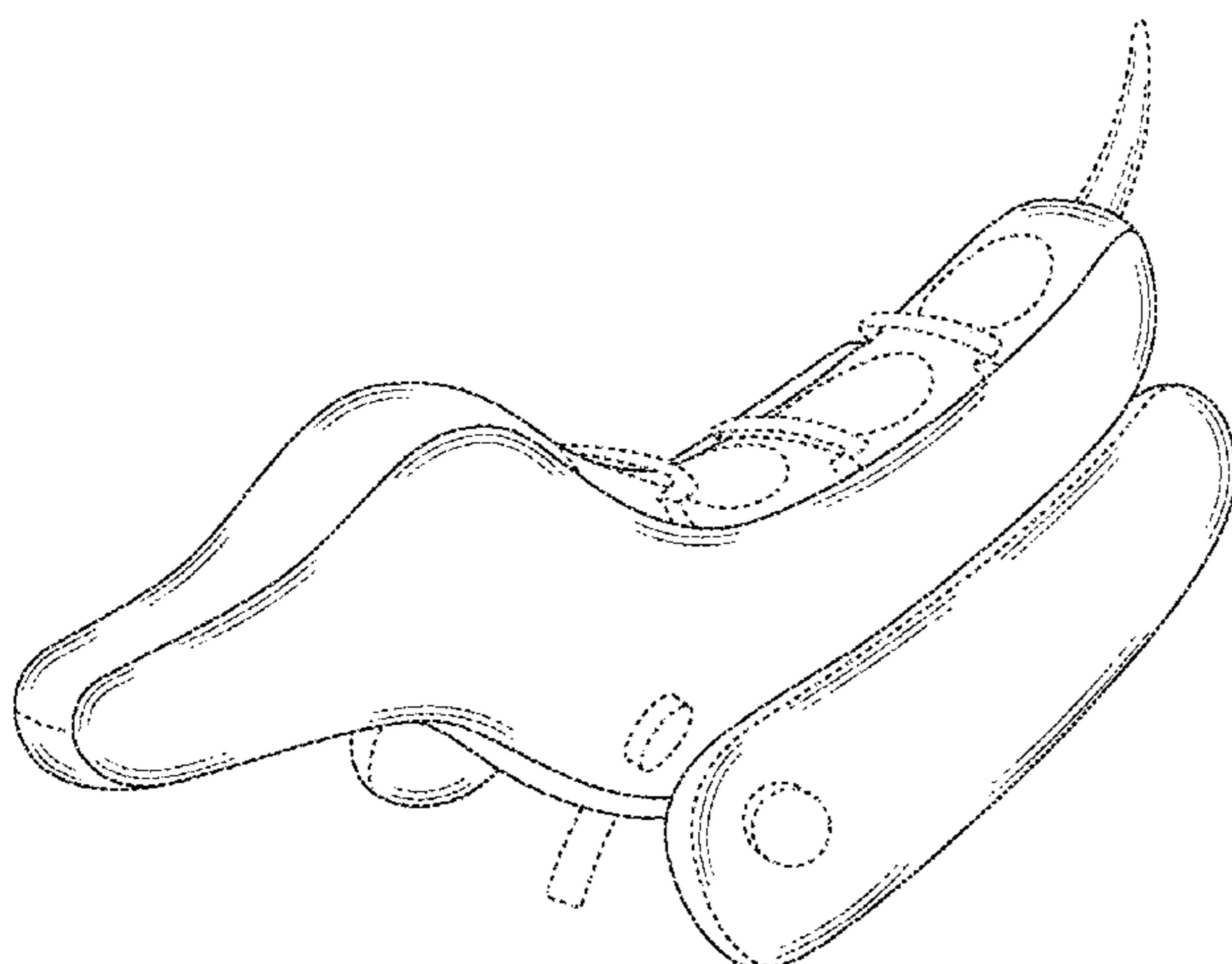
FIG. 14 is a rear elevation view thereof;

FIG. 15 is a right side elevation view thereof; and,

FIG. 16 is a left side elevation view thereof.

The broken lines showing stitching, valves, straps, a tail and handles shown in FIGS. 1 through 16, illustrate portions of the inflatable towable vehicle that form no part of the claimed design.

**1 Claim, 16 Drawing Sheets**



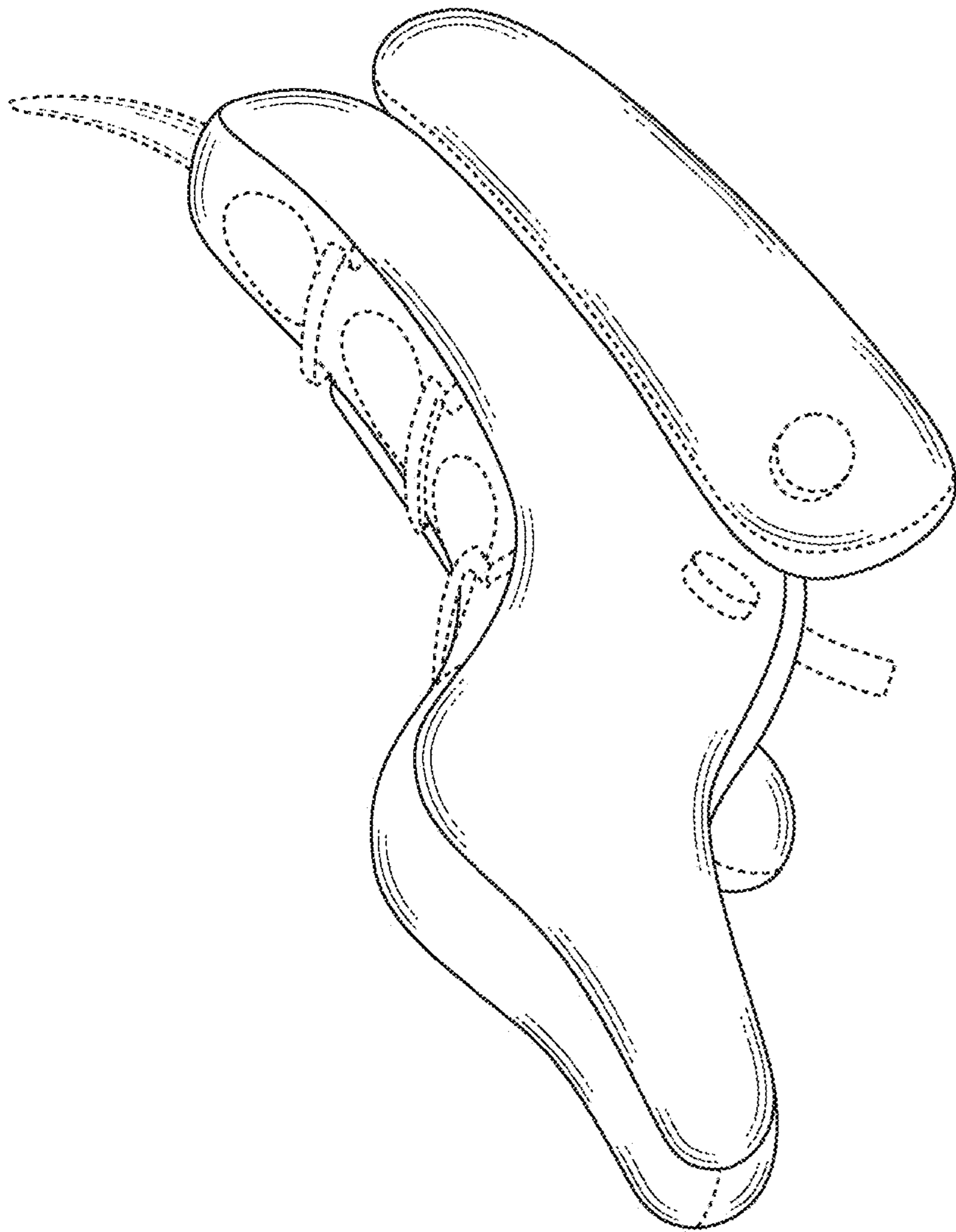


FIG.1

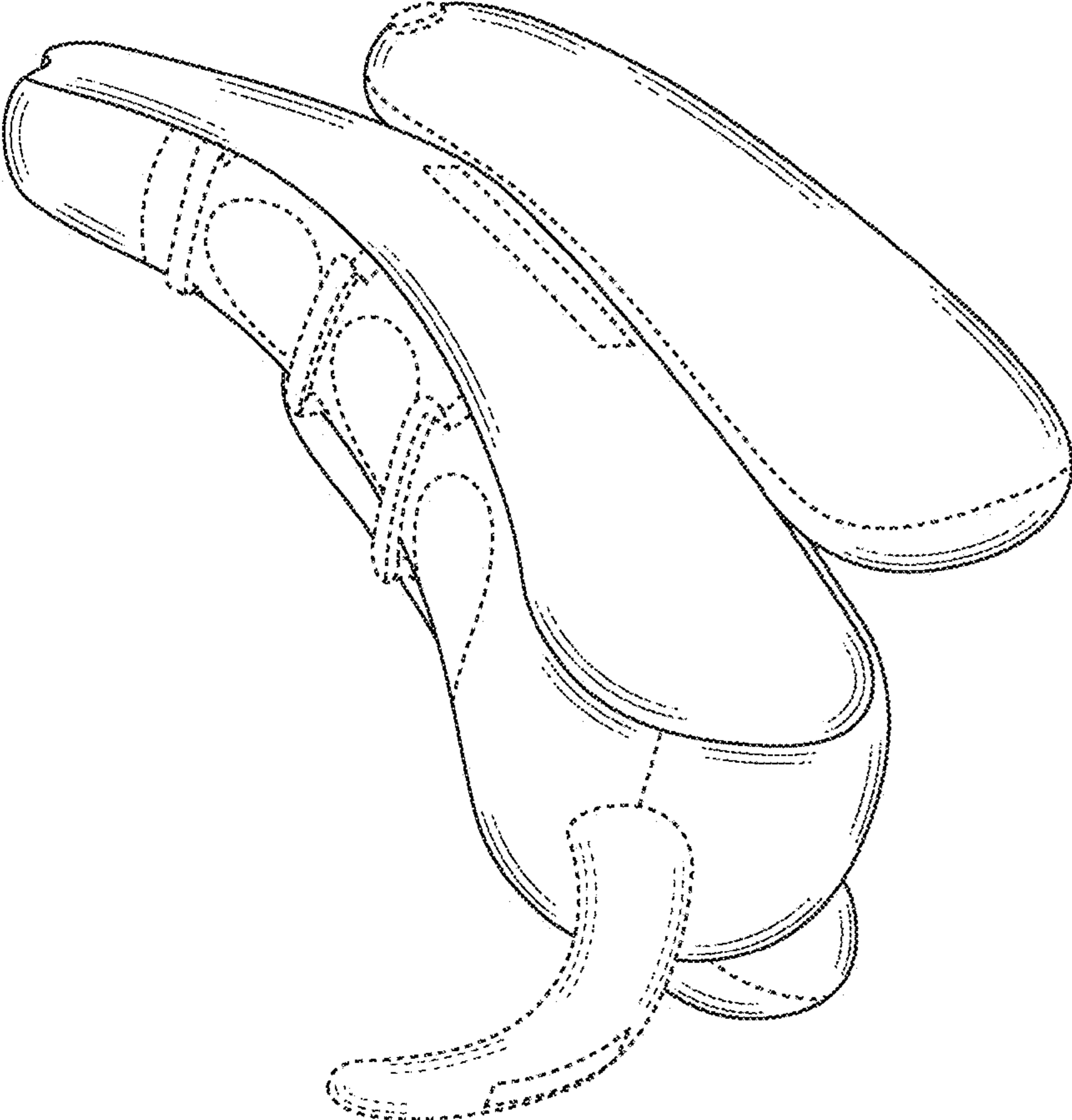


FIG. 2

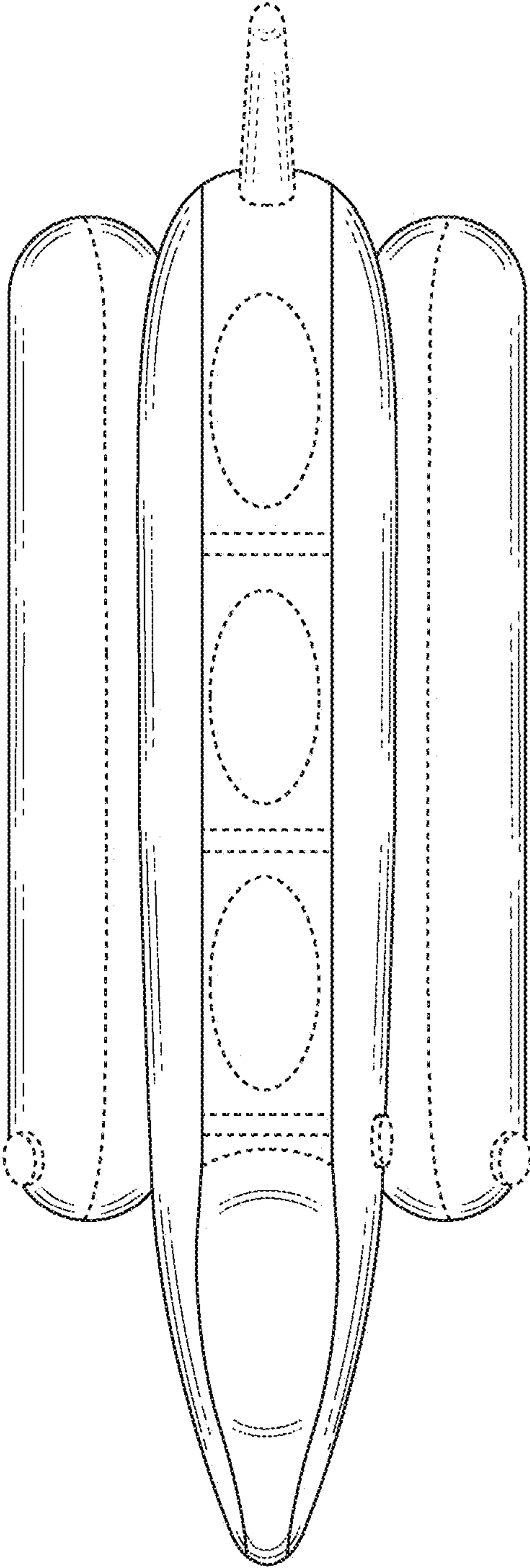


FIG. 3

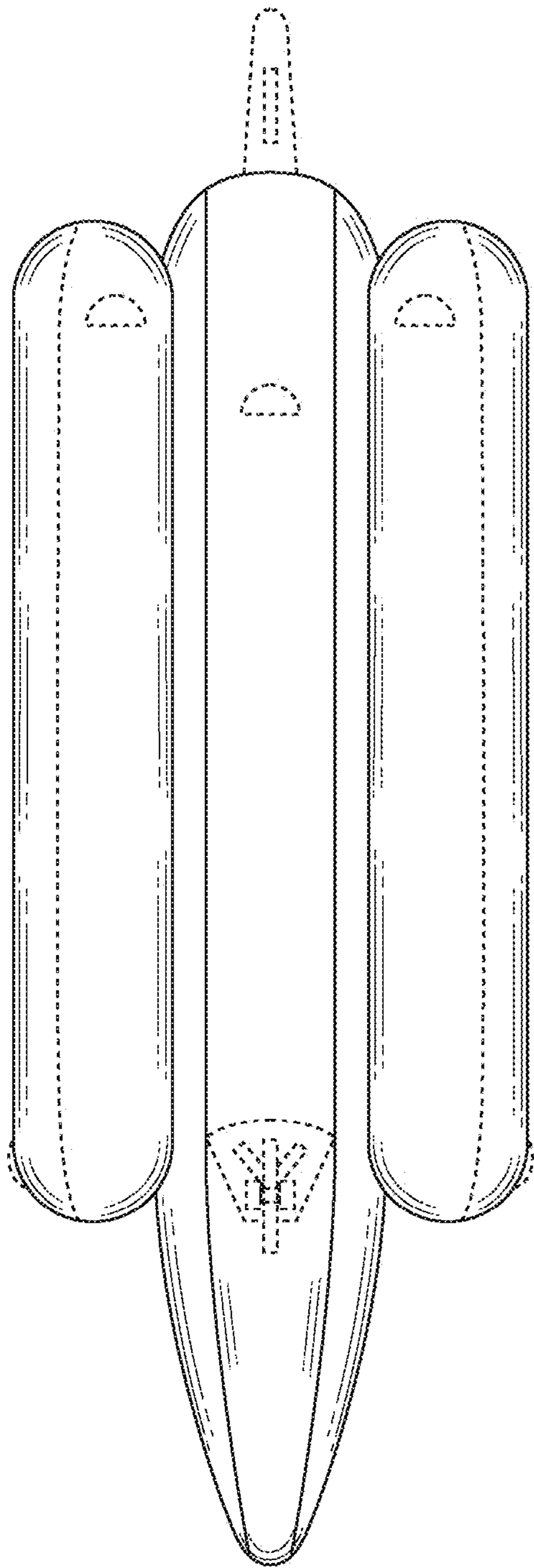


FIG.4

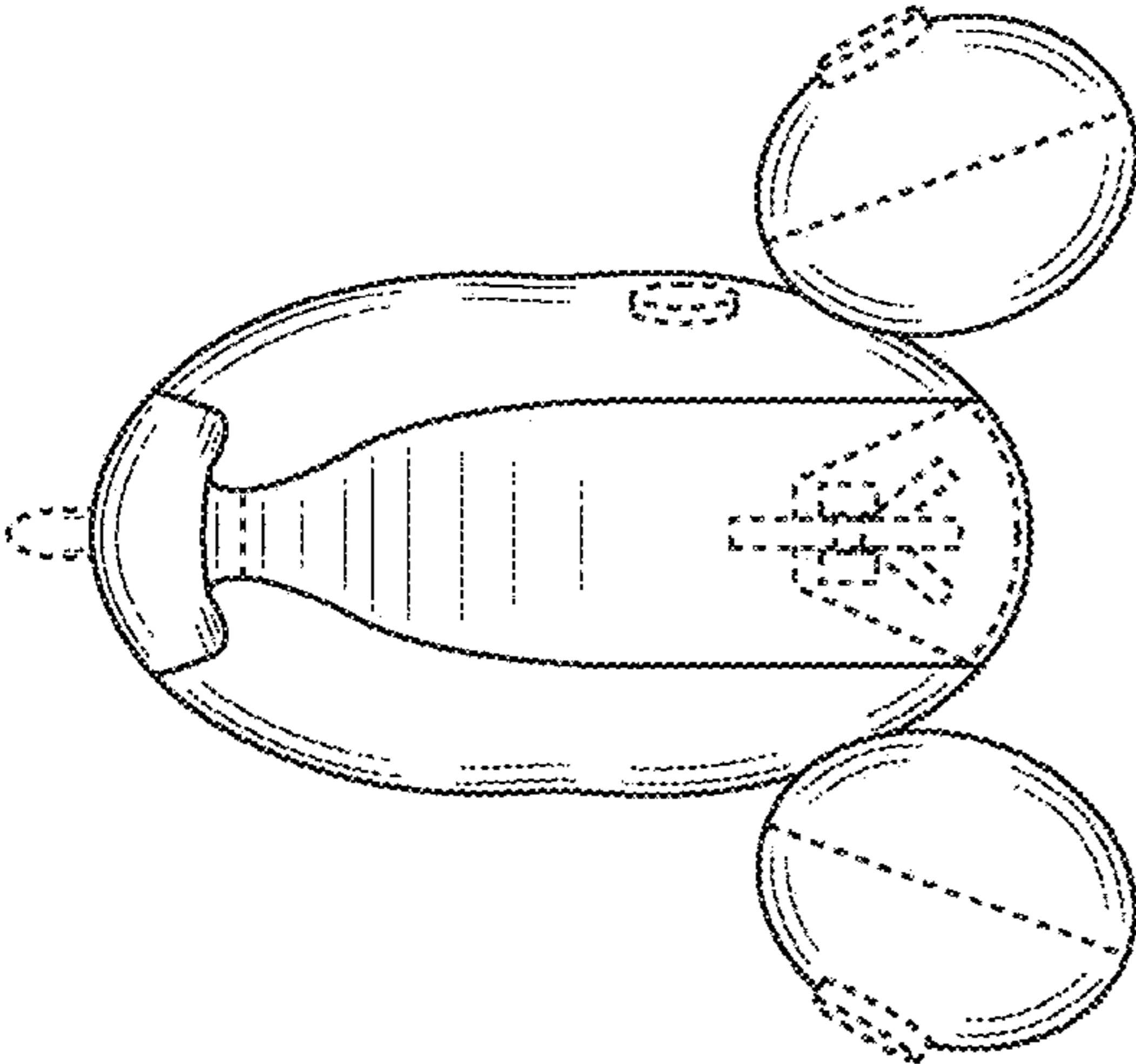


FIG. 5

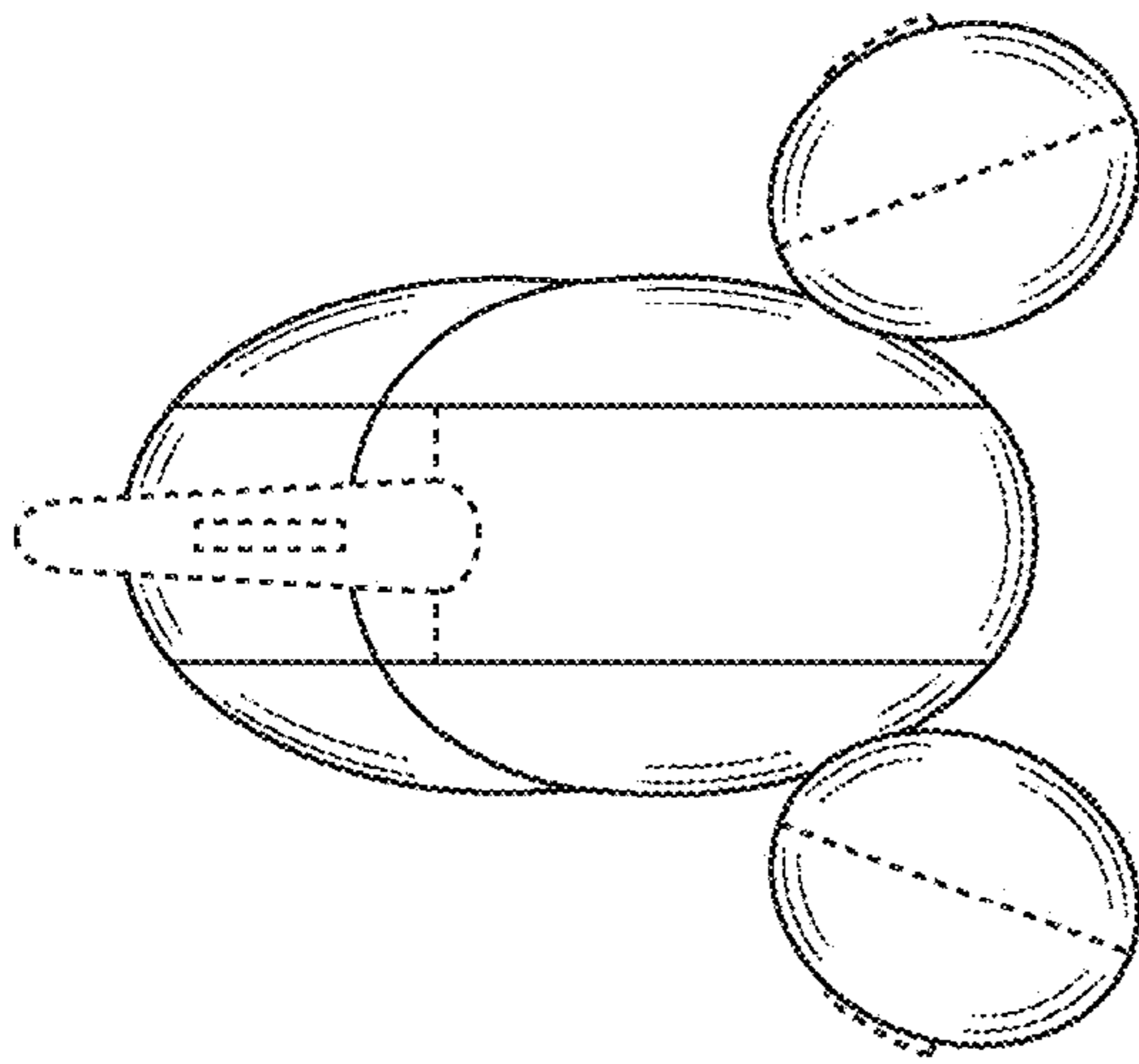


FIG.6

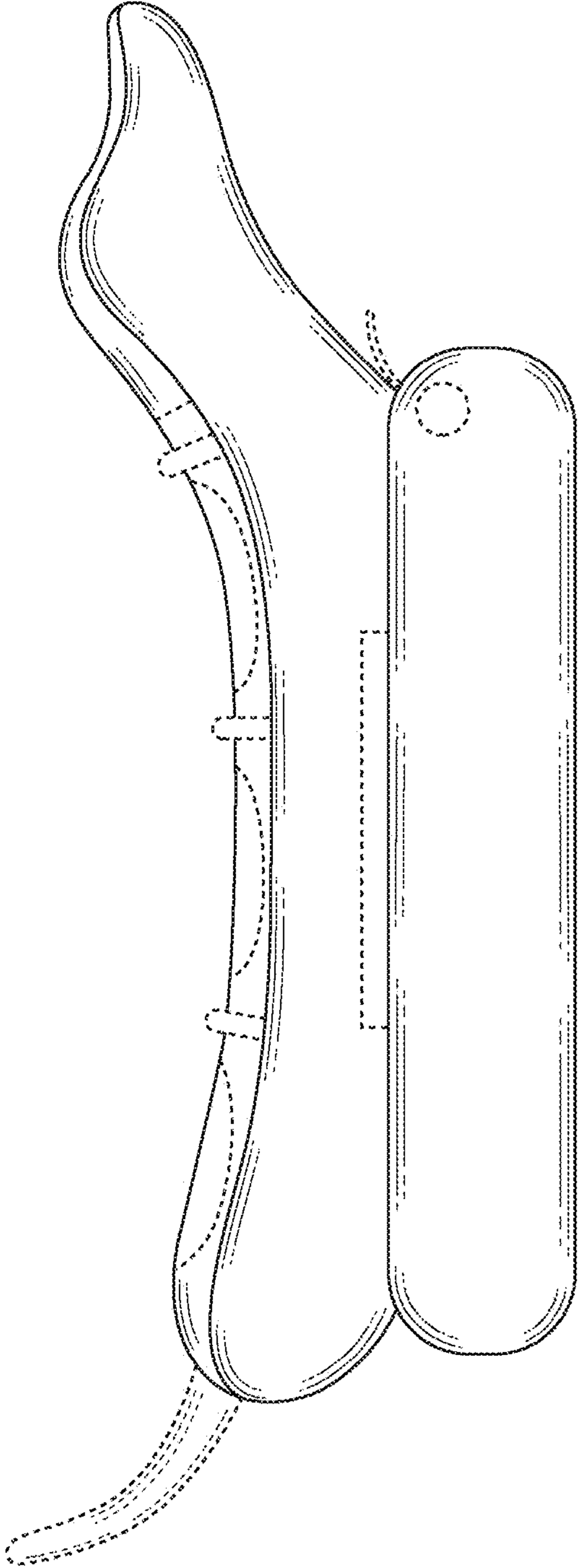


FIG. 7



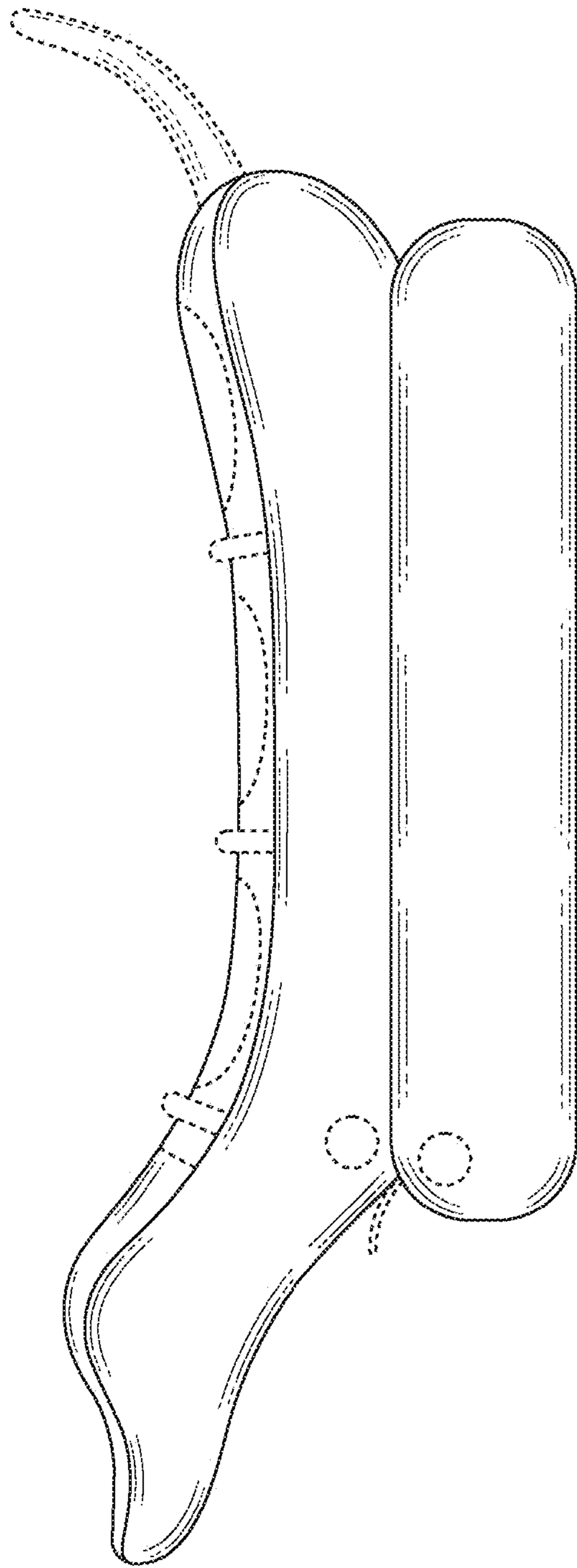


FIG. 8

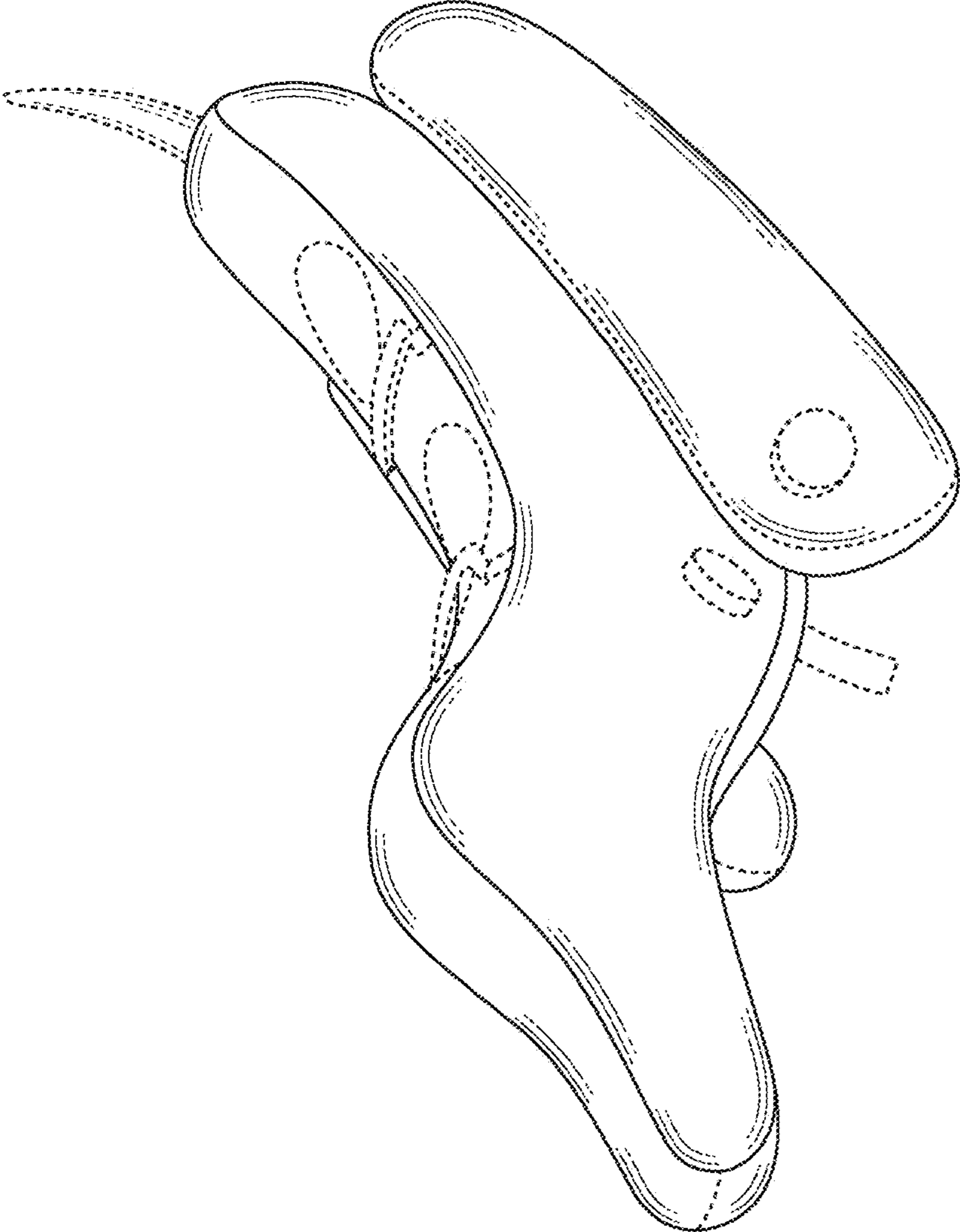


FIG. 9

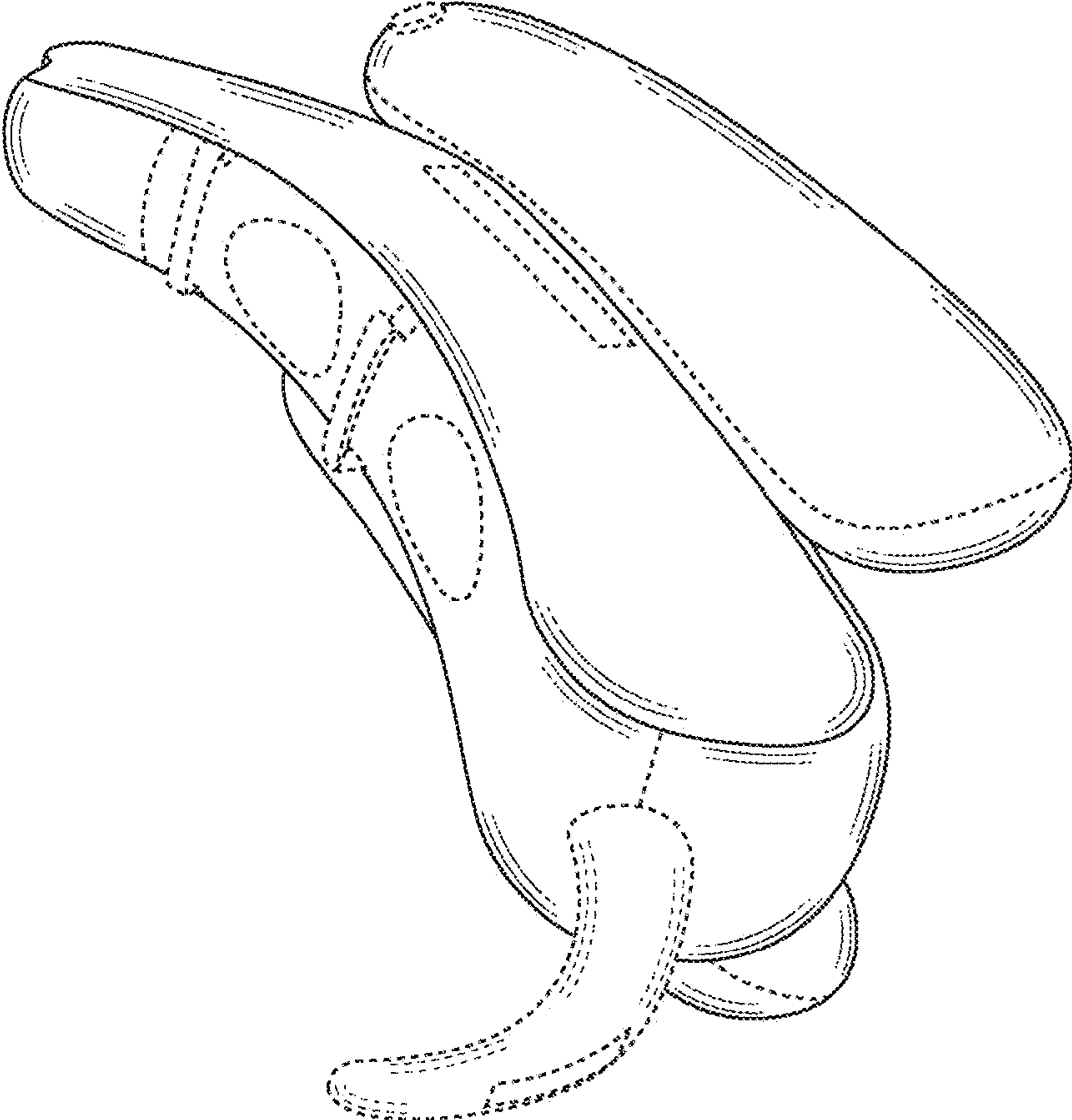


FIG.10

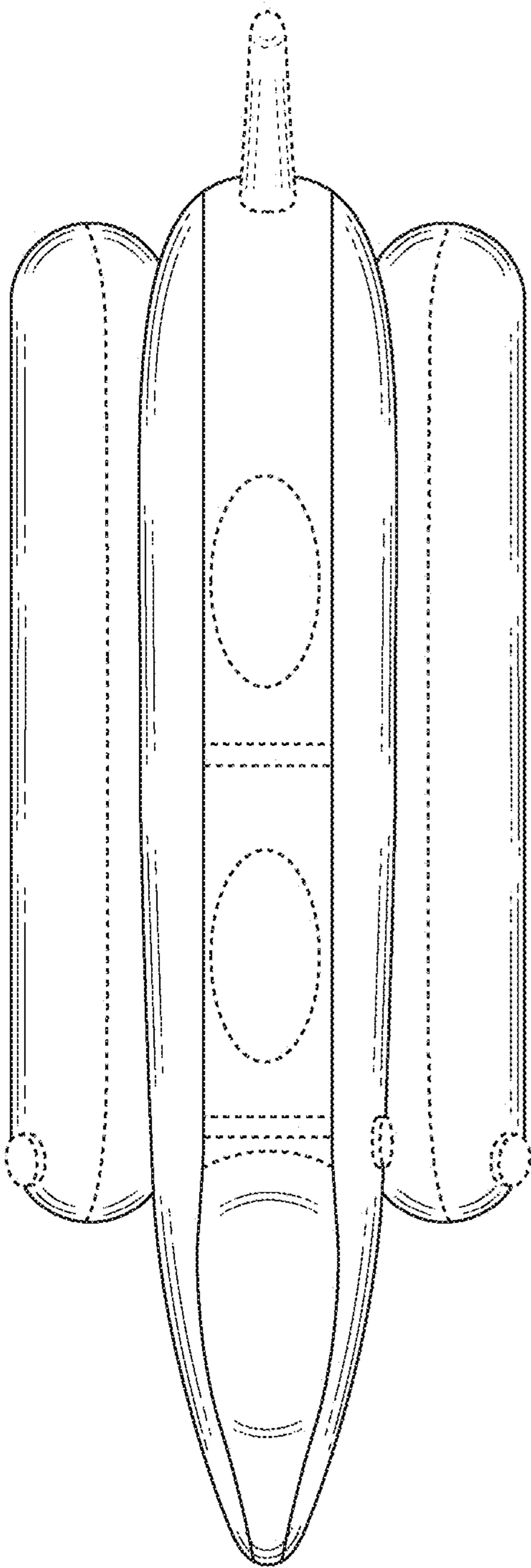


FIG.11

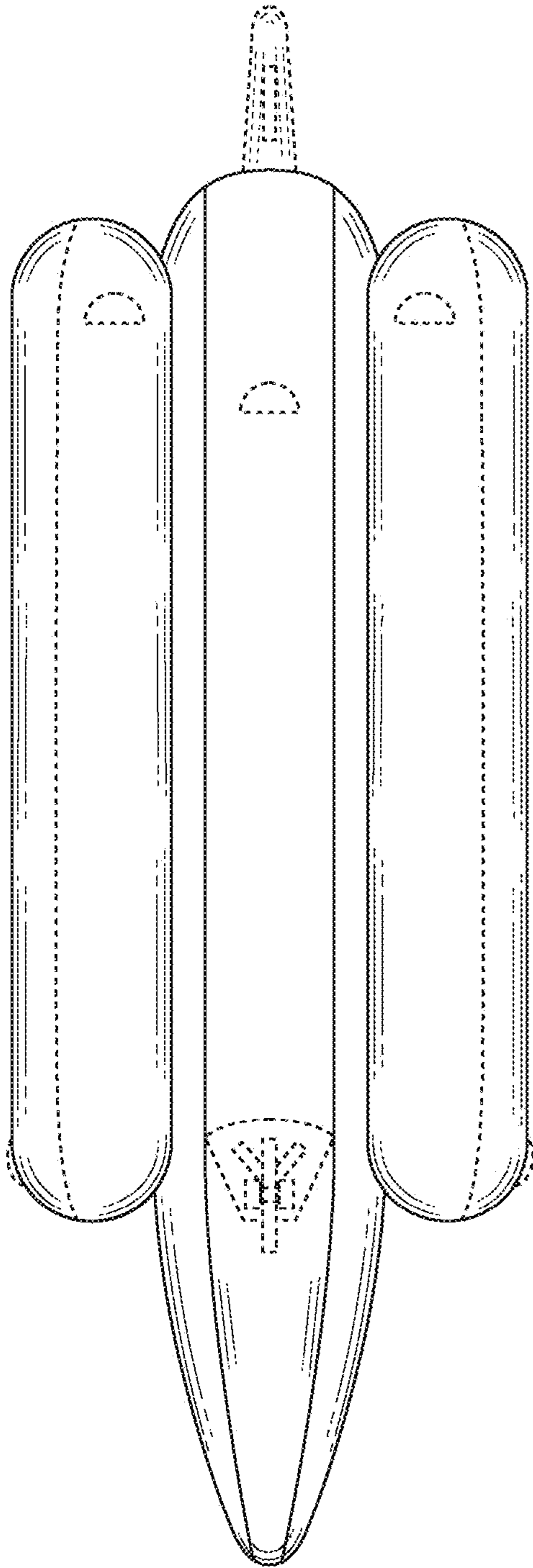


FIG.12

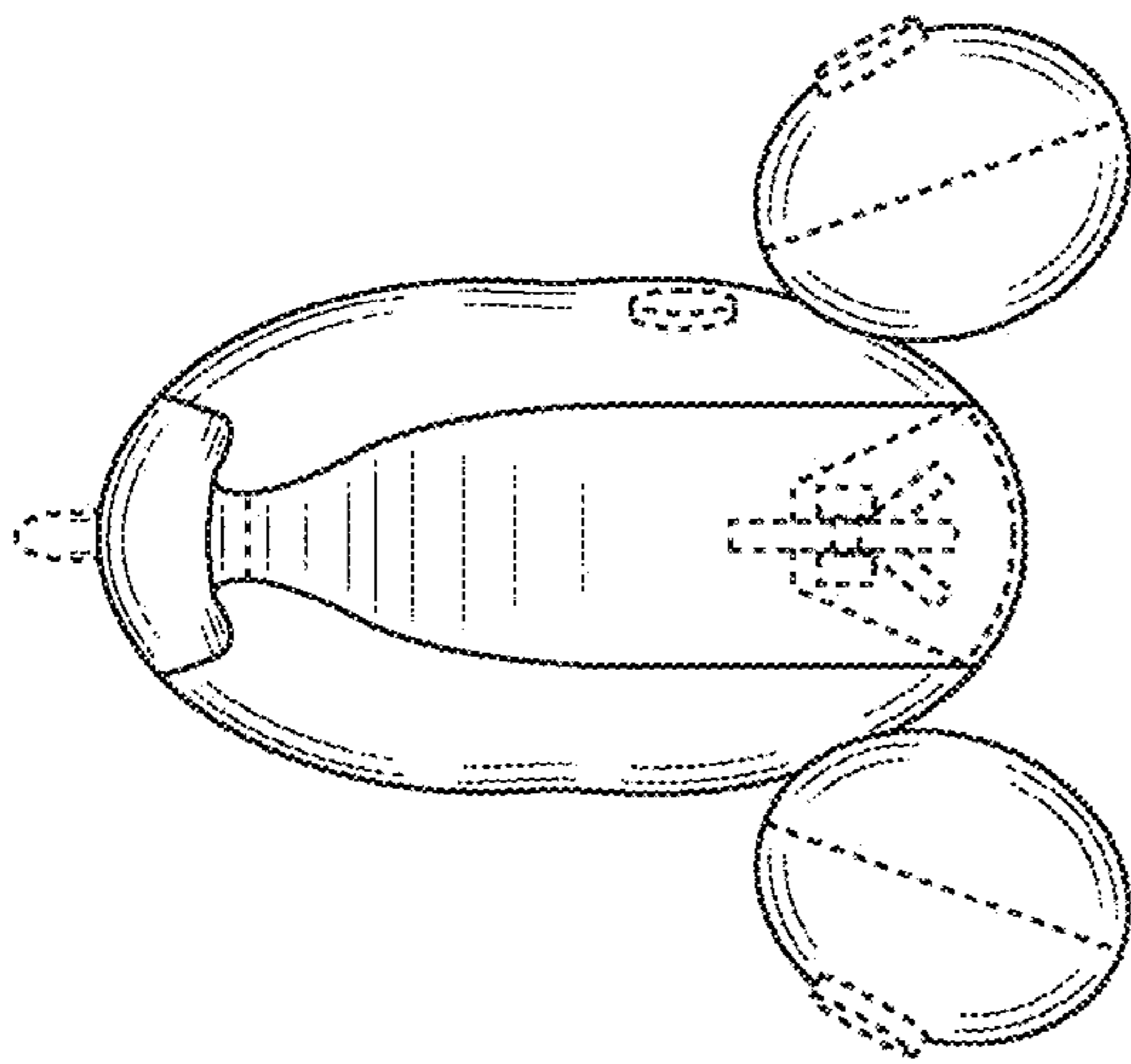


FIG. 13

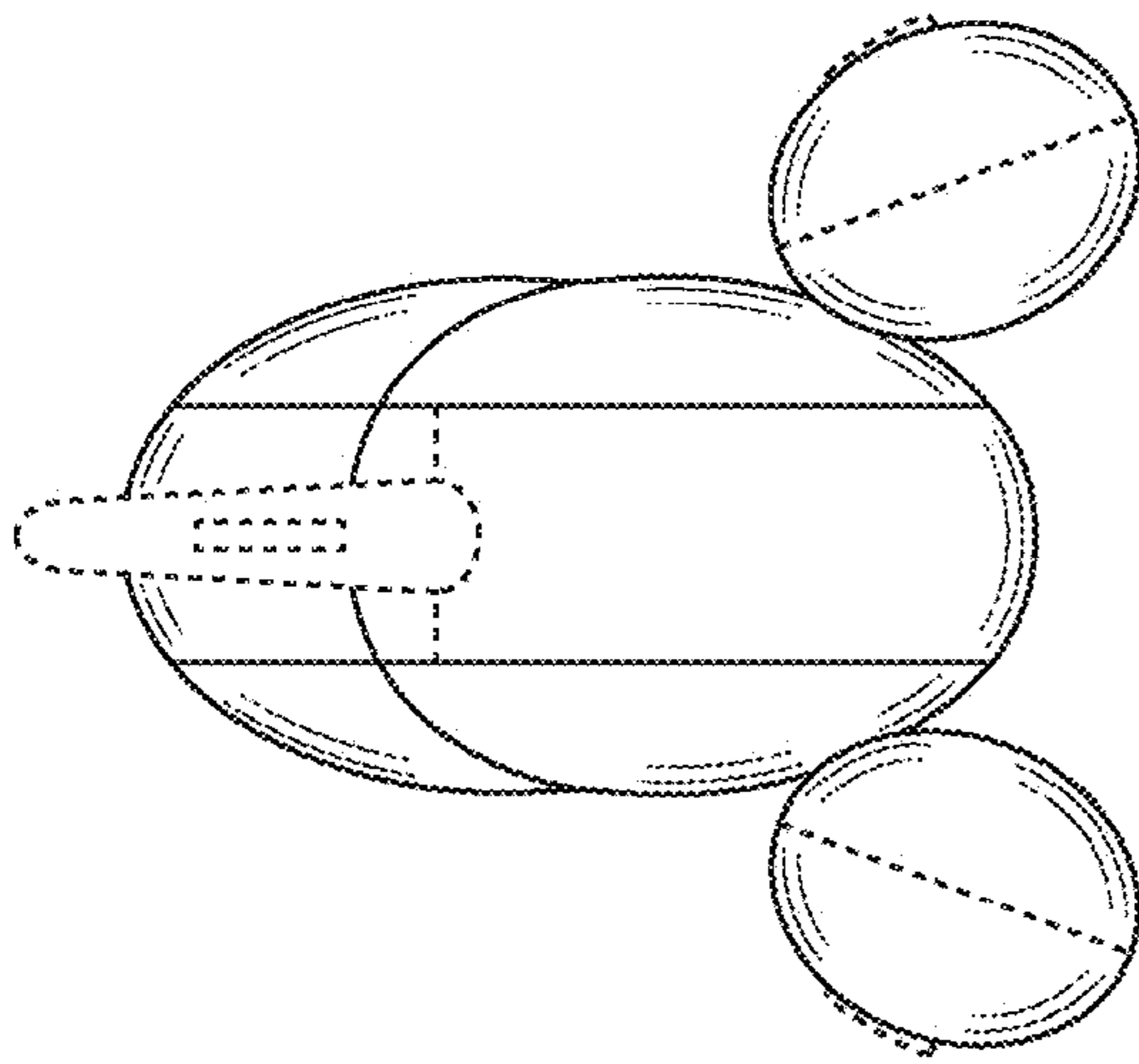


FIG.14

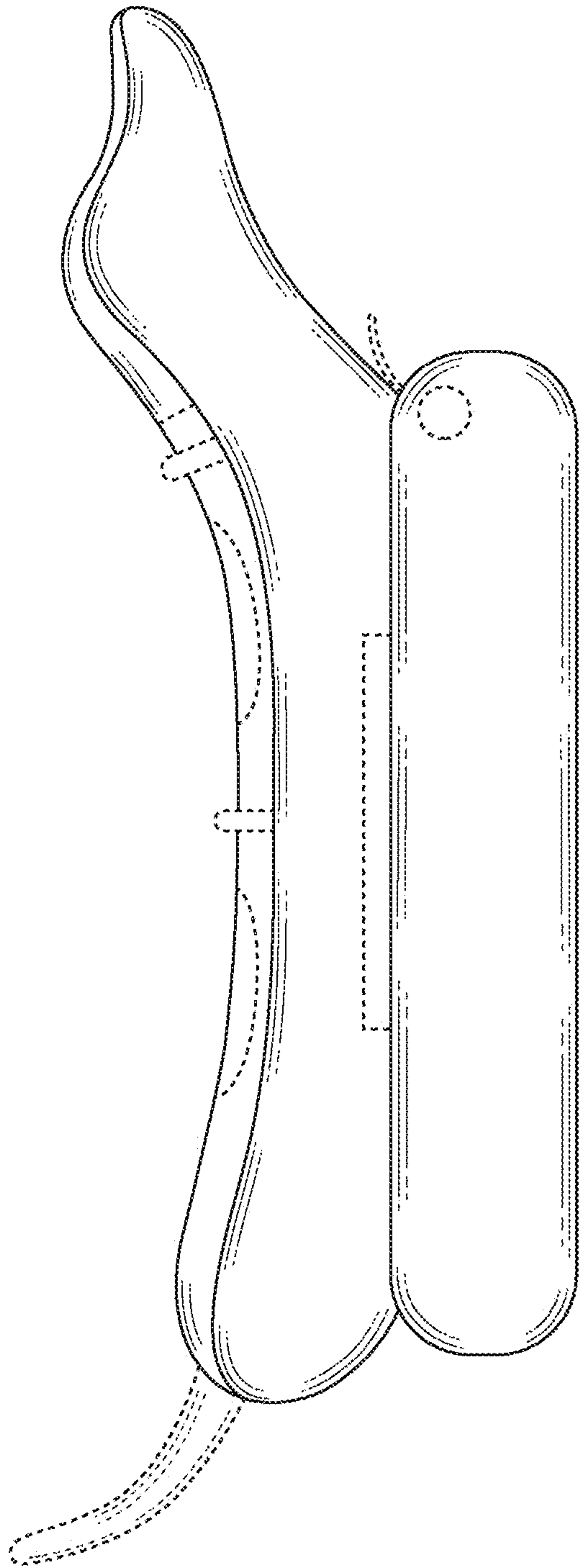


FIG.15



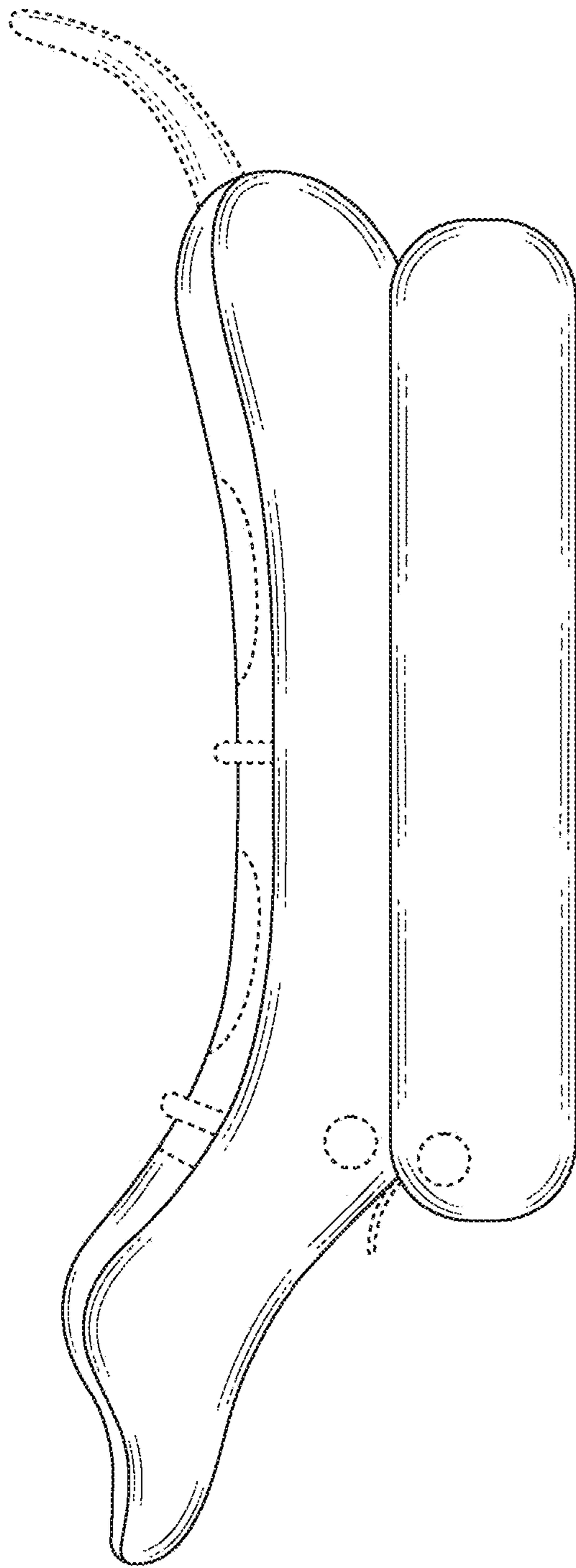


FIG.16