



US00D934365S

(12) **United States Design Patent**
Kovari

(10) **Patent No.:** **US D934,365 S**

(45) **Date of Patent:** **** Oct. 26, 2021**

(54) **SURF MAT**

(71) Applicant: **Aframe LLC**, Las Vegas, NV (US)

(72) Inventor: **Netanel Kovari**, Las Vegas, NV (US)

(73) Assignee: **AFRAME LLC**, Las Vegas, NV (US)

(**) Term: **15 Years**

(21) Appl. No.: **29/692,115**

(22) Filed: **May 22, 2019**

(30) **Foreign Application Priority Data**

Nov. 22, 2018	(IL)	62953
Nov. 22, 2018	(IL)	62954
Nov. 22, 2018	(IL)	62955

(51) **LOC (13) Cl.** **21-02**

(52) **U.S. Cl.**
USPC **D21/769**

(58) **Field of Classification Search**
USPC D21/483, 542, 768-777; D12/302, 303,
D12/310, 312, 316; D8/403
CPC B63B 35/7926
See application file for complete search history.

(56) **References Cited**

U.S. PATENT DOCUMENTS

D246,625 S *	12/1977	Becker, III	D8/403
D260,590 S *	9/1981	Hobson	D8/403
D282,414 S *	2/1986	Rathle	D6/300
D301,953 S *	7/1989	Evenson	D8/349
D302,789 S *	8/1989	Levine	D8/403
D346,957 S *	5/1994	Savic	D8/403
D379,298 S *	5/1997	Bowen	D25/121
D412,436 S *	8/1999	Tsui	D8/403

D415,677 S *	10/1999	Cheung	D8/403
D462,259 S *	9/2002	Williams	D8/403
D481,304 S *	10/2003	Drake	D8/403
9,180,825 B1 *	11/2015	Jones	E06B 7/28
D801,798 S *	11/2017	Teng	D8/403
D802,411 S *	11/2017	Teng	D8/403
D865,509 S *	11/2019	Stewart	D8/403

* cited by examiner

Primary Examiner — Michael C Stout

Assistant Examiner — Melvin L Davis

(74) *Attorney, Agent, or Firm* — The Roy Gross Law Firm, LLC; Roy Gross

(57) **CLAIM**

The ornamental design for surf mat, as shown and described.

DESCRIPTION

FIG. 1 is an isometric view of a surf mat in accordance with the new design;

FIG. 2 is a front view thereof;

FIG. 3 is a side view thereof;

FIG. 4 is a top view thereof;

FIG. 5 is a bottom view thereof;

FIG. 6 is an isometric view thereof in an open position;

FIG. 7 is a front view thereof in an open position;

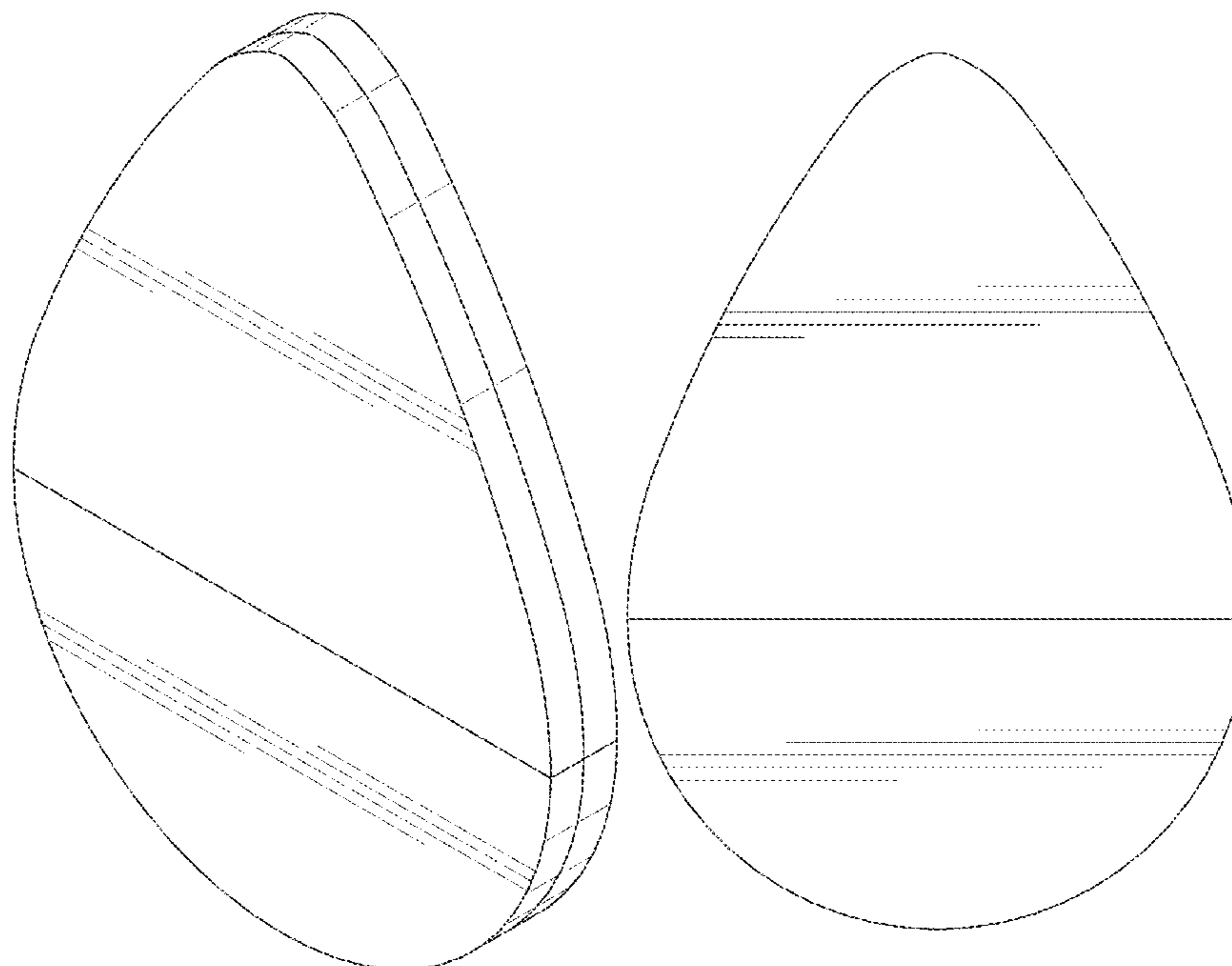
FIG. 8 is a side view thereof in an open position;

FIG. 9 is an isometric view thereof in an open and expanded position; and,

FIG. 10 is an isometric view thereof in an open and expanded position.

The showing of broken lines are included for the purpose of illustrating environmental structure and forms no part of the claimed design.

1 Claim, 6 Drawing Sheets



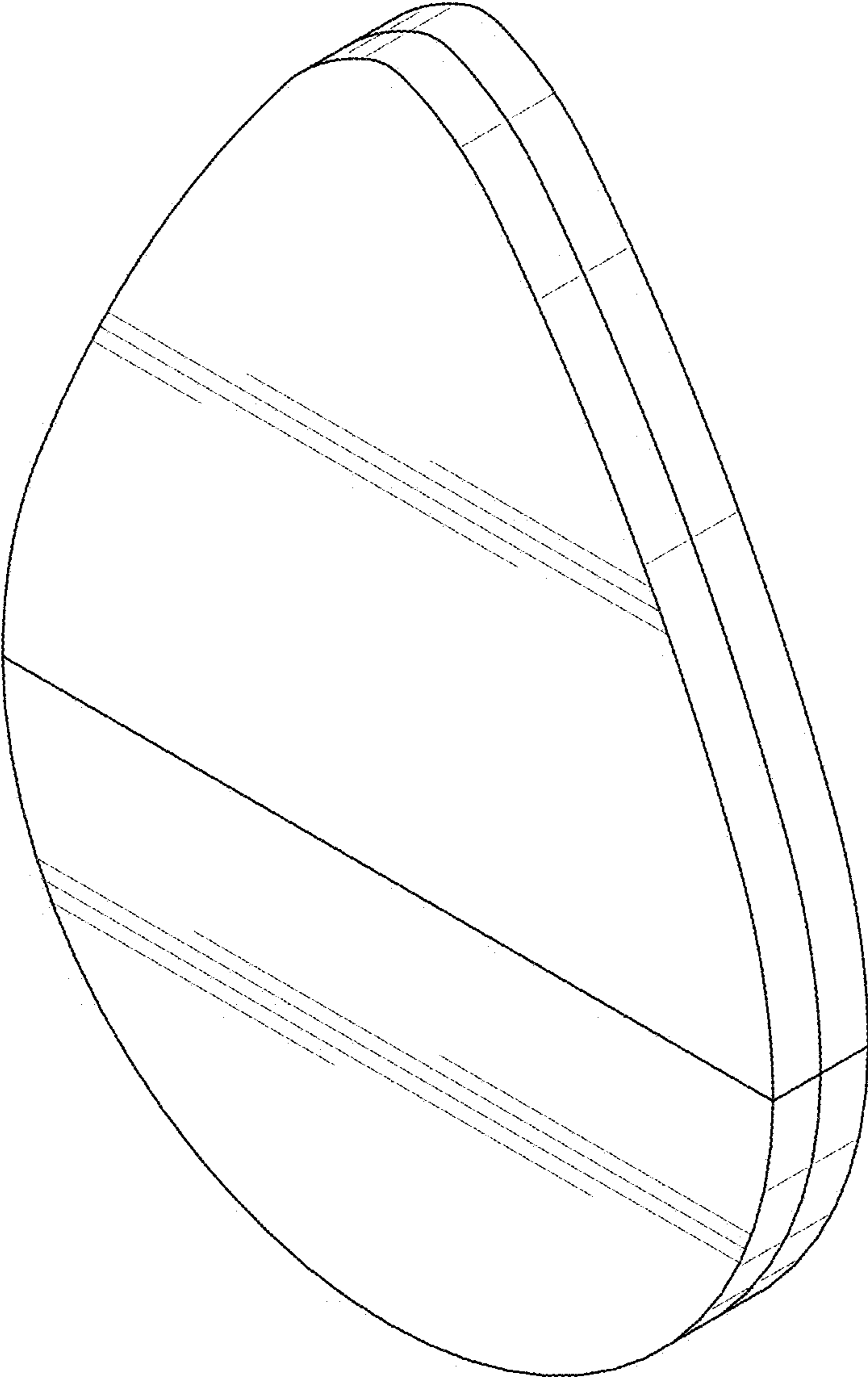


FIG. 1

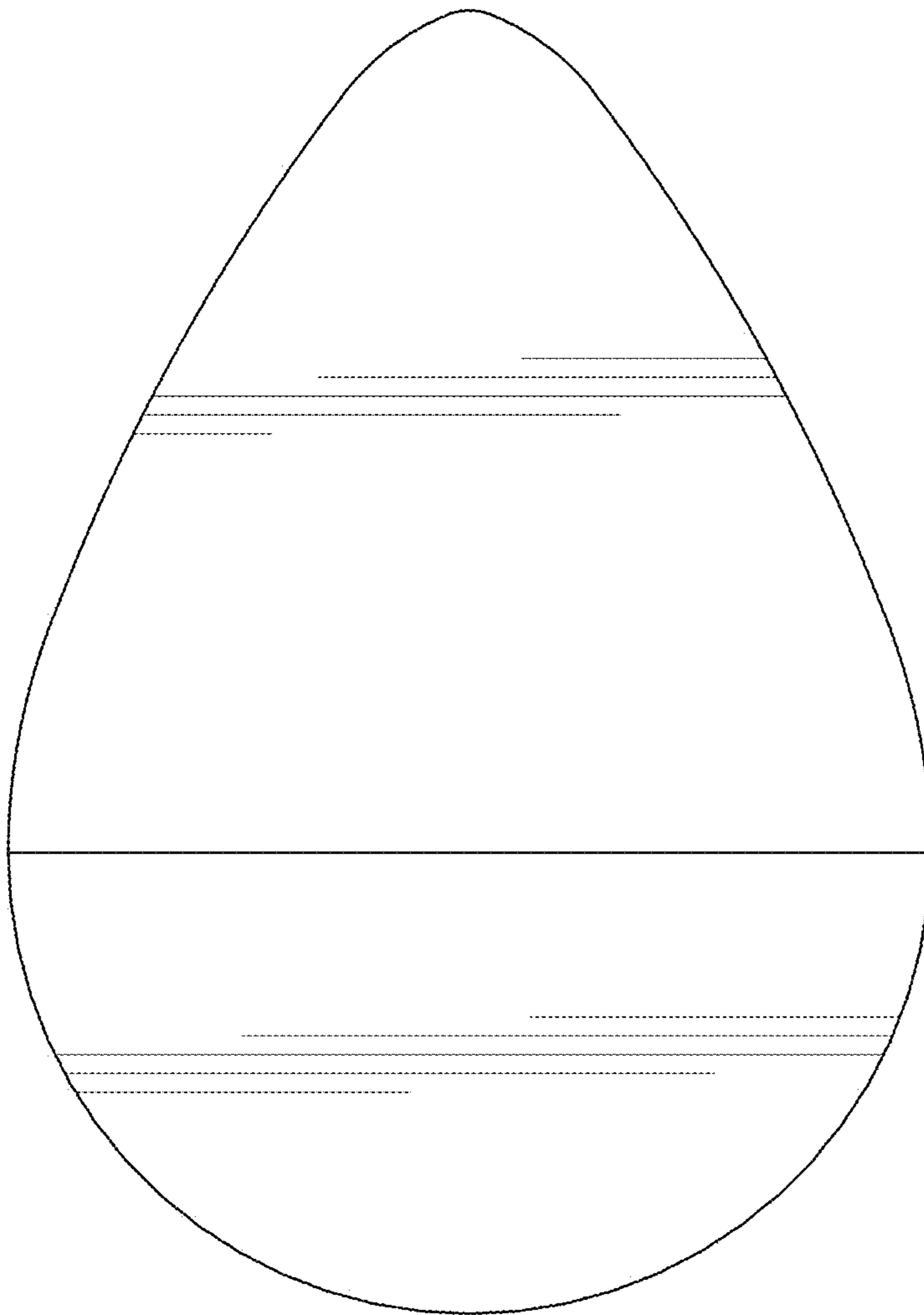


FIG. 2

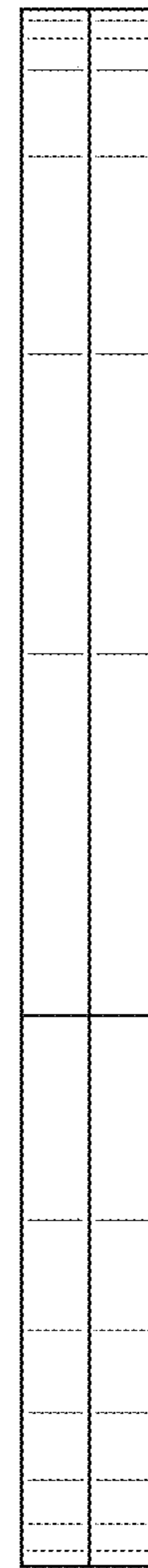


FIG. 3

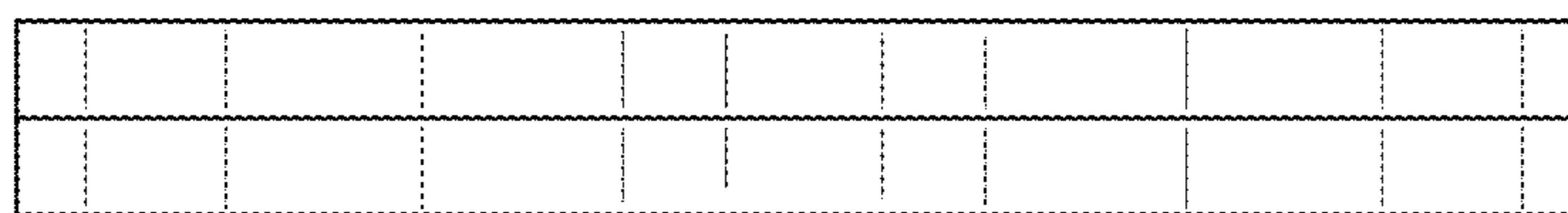


FIG. 4

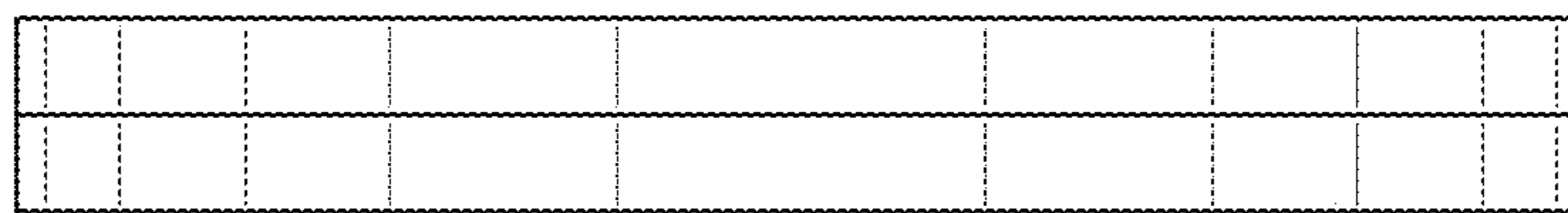


FIG. 5

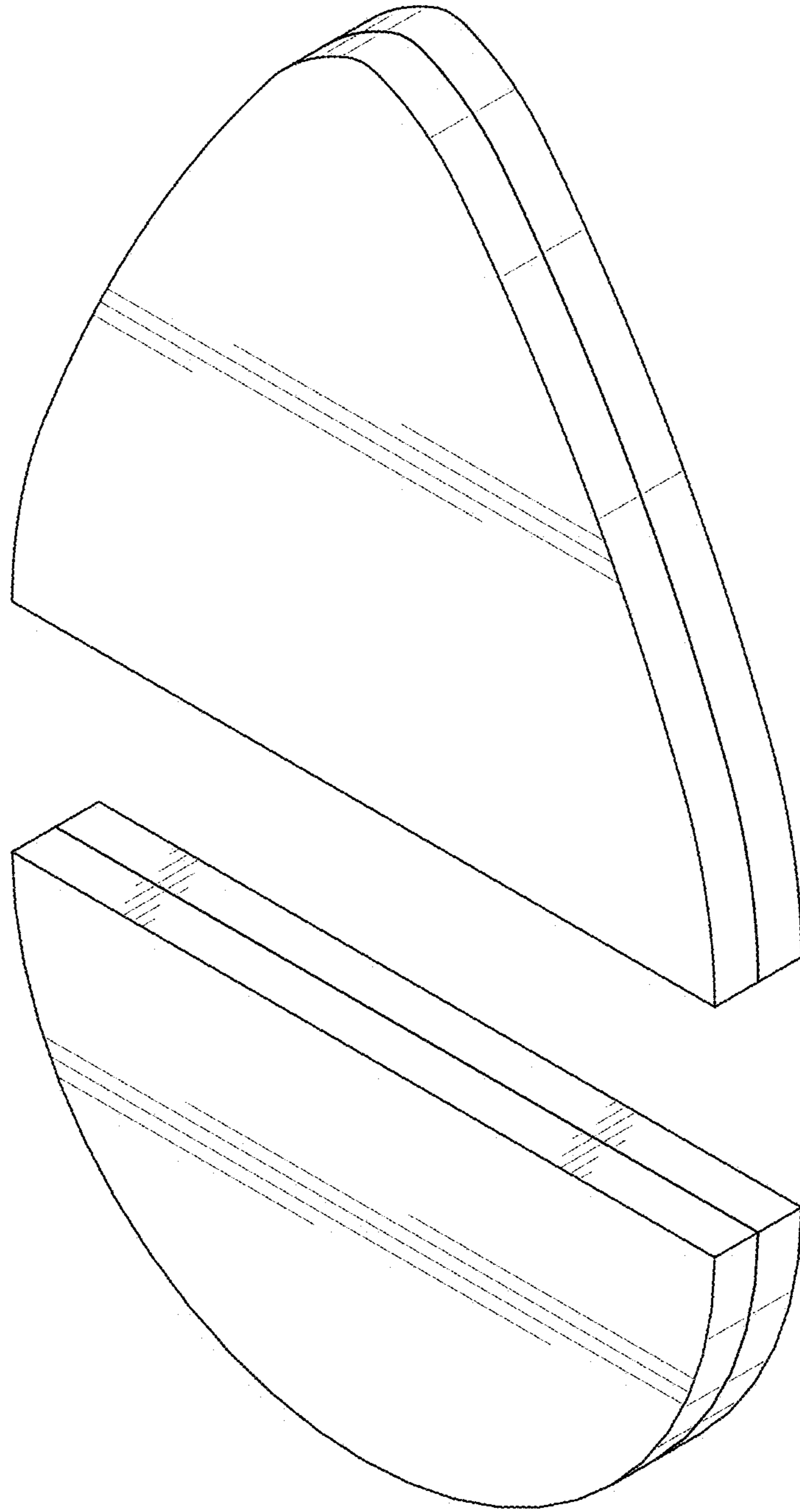


FIG. 6

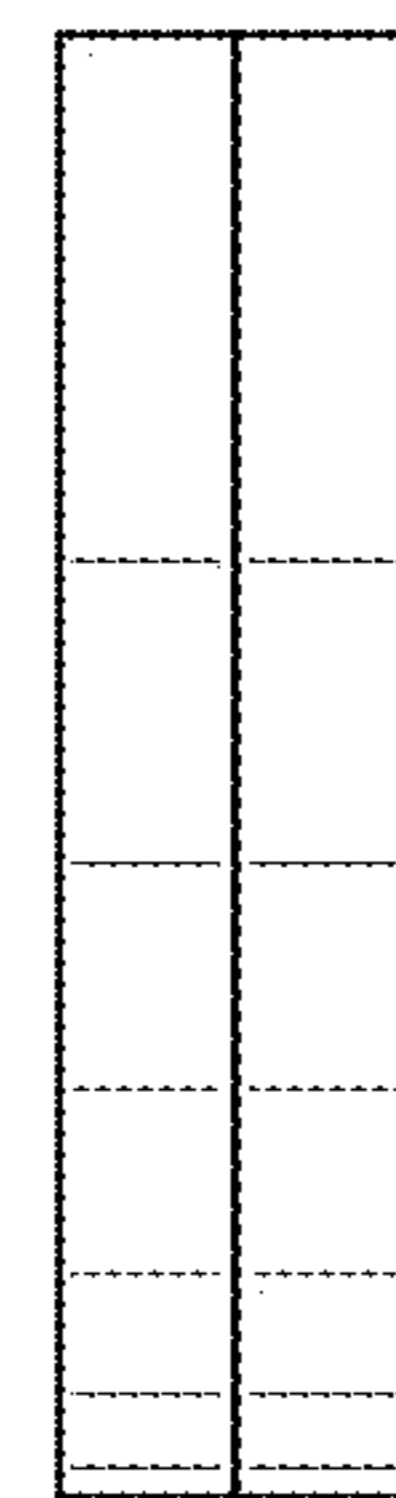
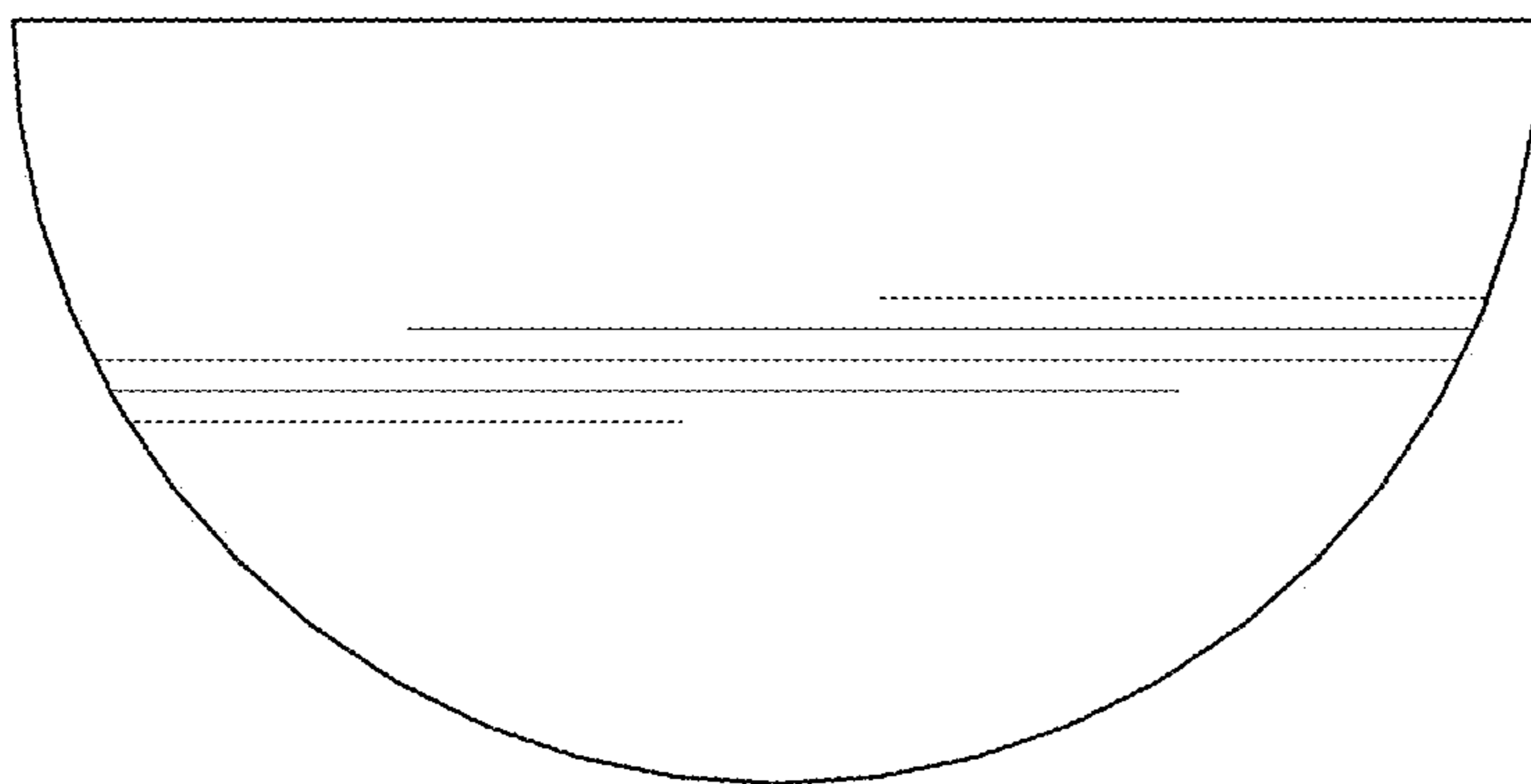
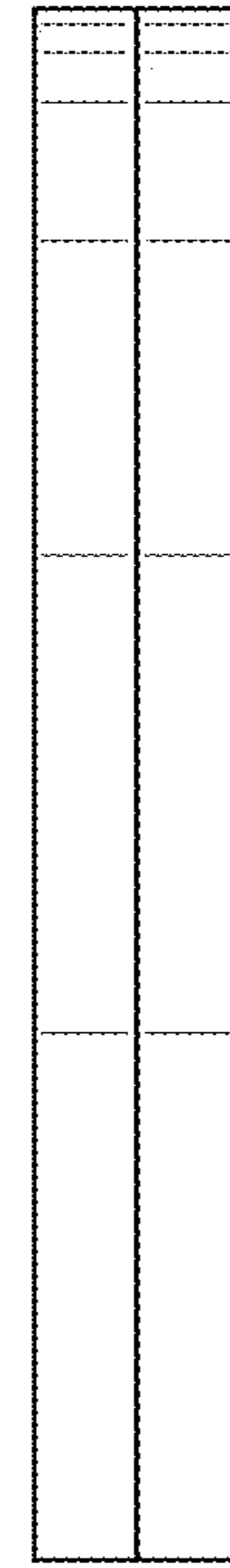
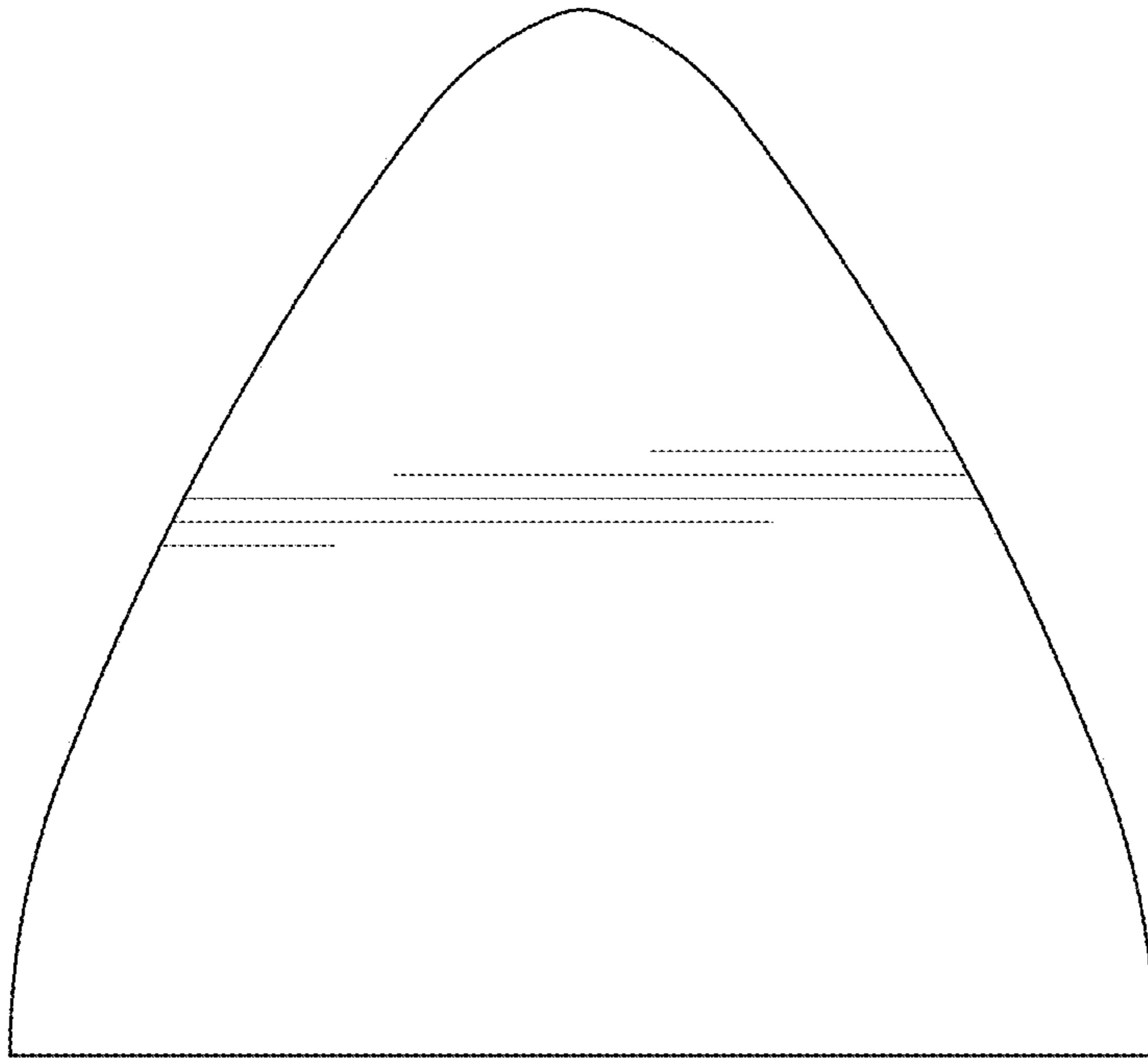


FIG. 7

FIG. 8

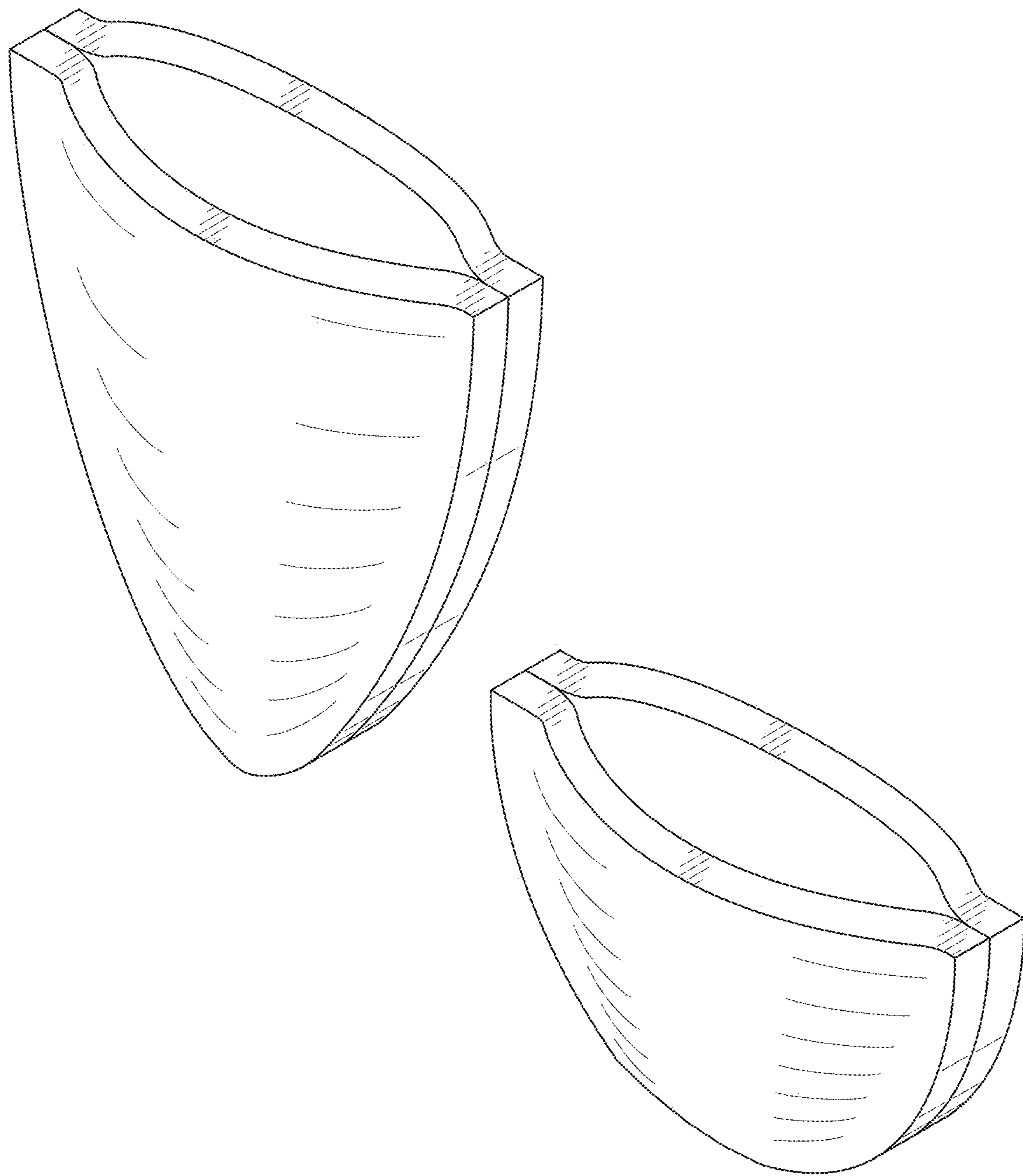


FIG. 9

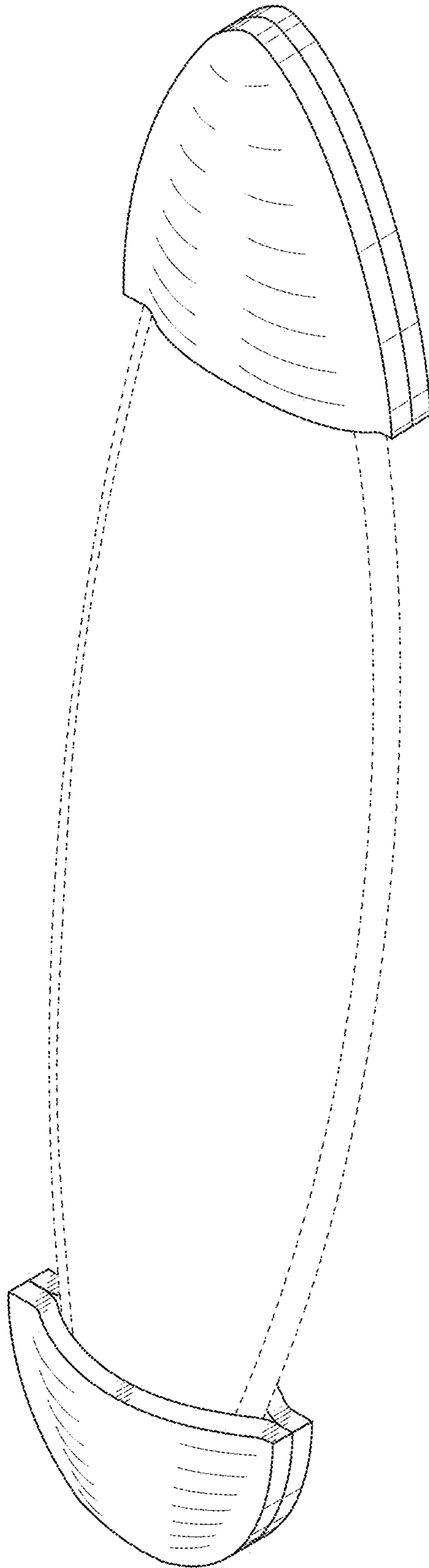


FIG. 10