



US00D934364S

(12) **United States Design Patent**
Dempsey et al.

(10) **Patent No.:** **US D934,364 S**

(45) **Date of Patent:** **** Oct. 26, 2021**

- (54) **IRON TYPE GOLF CLUB HEAD**
- (71) Applicants: **Patrick A. Dempsey**, Sunland, CA (US); **Jeffery D. Sheets**, Buda, TX (US)
- (72) Inventors: **Patrick A. Dempsey**, Sunland, CA (US); **Jeffery D. Sheets**, Buda, TX (US)
- (**) Term: **15 Years**
- (21) Appl. No.: **29/724,505**
- (22) Filed: **Feb. 15, 2020**
- (51) **LOC (13) Cl.** **21-02**
- (52) **U.S. Cl.**
USPC **D21/747**
- (58) **Field of Classification Search**
USPC D21/747-751, 759
CPC A63B 53/00; A63B 53/02; A63B 53/04; A63B 53/047; A63B 53/0475; A63B 2053/0479; A63B 2053/0483; A63B 2053/0445; A63B 60/00; A63B 60/46
See application file for complete search history.

- D555,219 S * 11/2007 Lin D21/759
- 7,588,502 B2 * 9/2009 Nishino A63B 53/0466
473/332
- D722,352 S * 2/2015 Nicolette D21/747
- D723,120 S * 2/2015 Nicolette D21/747
- 8,961,336 B1 * 2/2015 Parsons A63B 53/0475
473/332
- D726,265 S * 4/2015 Nicolette D21/747
- D746,926 S * 1/2016 Parsons D21/747
- D748,214 S * 1/2016 Nicolette D21/747
- D748,749 S * 2/2016 Nicolette D21/759
- D751,660 S * 3/2016 Greenlaw D21/759
- D756,471 S * 5/2016 Nicolette D21/747
- 9,346,203 B2 * 5/2016 Parsons A63B 53/0475
- D765,809 S * 9/2016 Peterson D21/759
- 9,468,821 B2 * 10/2016 Parsons A63B 60/02
- D773,575 S * 12/2016 Nicolette D21/747
- 9,533,201 B2 * 1/2017 Parsons A63B 60/54
- D795,979 S * 8/2017 Parsons D21/759
- 9,764,208 B1 * 9/2017 Parsons A63B 60/02
- D802,068 S * 11/2017 Parsons D21/747
- 9,814,952 B2 * 11/2017 Parsons A63B 60/02

(Continued)

Primary Examiner — Mitchell I. Siegel
(74) *Attorney, Agent, or Firm* — N. J. Aquilino

(57) **CLAIM**

The ornamental design of an iron type golf club head, as shown and described.

DESCRIPTION

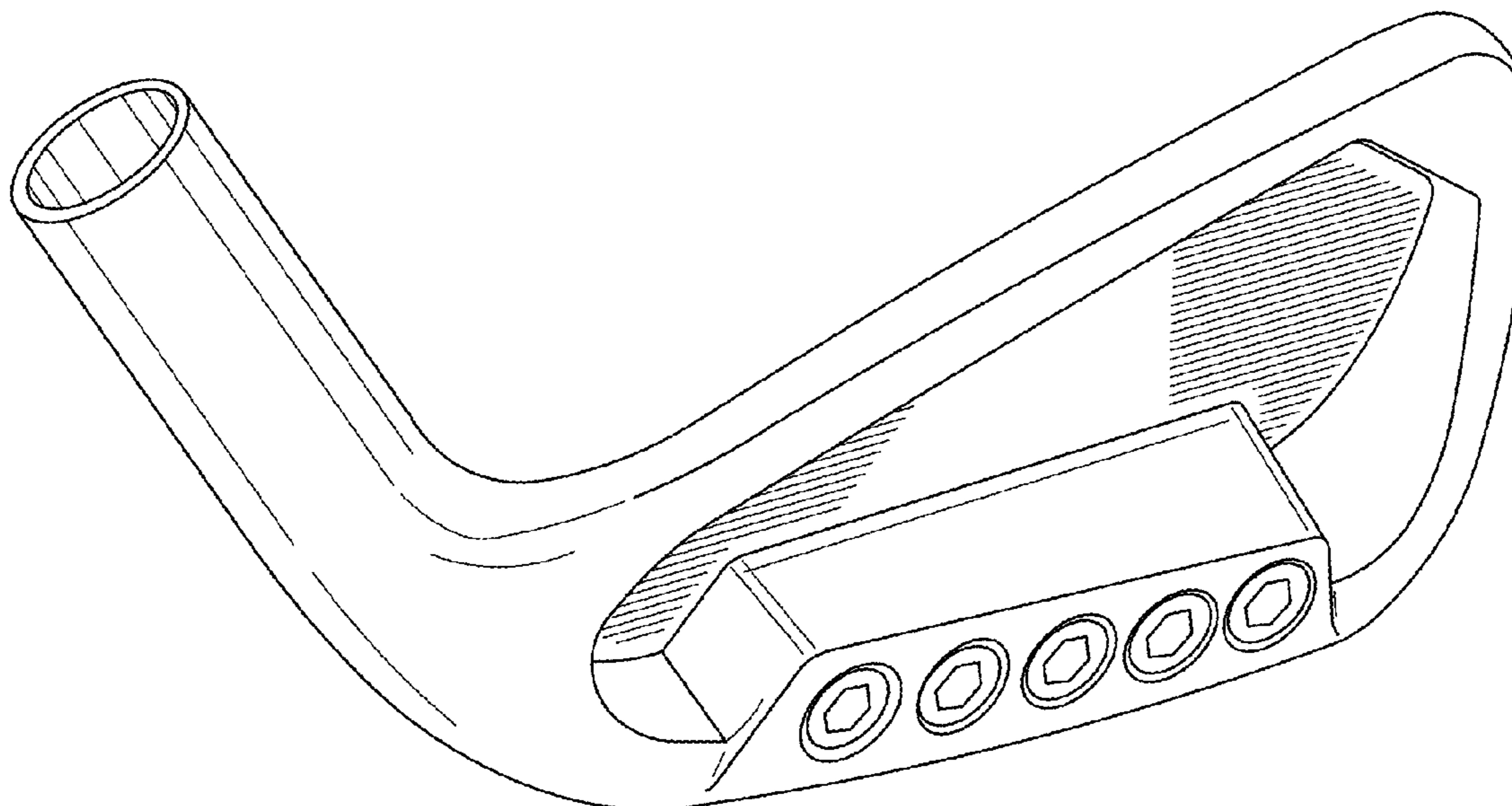
FIG. 1 is a rear perspective view of an iron type golf club head showing our new design.
 FIG. 2 is a front elevational view of the club head design of FIG. 1.
 FIG. 3 is a rear elevational view thereof.
 FIG. 4 is a bottom view thereof.
 FIG. 5 is a top view thereof.
 FIG. 6 is a heel end view thereof; and,
 FIG. 7 is a toe end view thereof.

1 Claim, 4 Drawing Sheets

(56) **References Cited**

U.S. PATENT DOCUMENTS

- 4,754,977 A * 7/1988 Sahn A63B 53/047
473/337
- D336,672 S * 6/1993 Gorman D21/749
- D421,080 S * 2/2000 Chen D21/747
- 6,077,171 A * 6/2000 Yoneyama A63B 60/00
473/291
- D466,576 S * 12/2002 Nagai D21/759
- D466,961 S * 12/2002 Nagai D21/759
- D476,050 S * 6/2003 Walker D21/759
- 7,121,956 B2 * 10/2006 Lo A63B 53/0466
473/335
- D534,595 S * 1/2007 Hasebe D21/747
- D543,601 S * 5/2007 Kawami D21/759



(56)

References Cited

U.S. PATENT DOCUMENTS

D816,787	S *	5/2018	Nicolette	D21/747
D817,422	S *	5/2018	Noyes	D21/759
D825,891	S *	8/2018	Parsons	D2/747
D827,065	S *	8/2018	Nicolette	D21/747
D835,737	S *	12/2018	Parsons	D21/747
10,265,590	B2 *	4/2019	Parsons	A63B 60/02
D856,451	S *	8/2019	Parsons	D21/747
D863,478	S *	10/2019	Parsons	D21/747
10,478,684	B2 *	11/2019	Parsons	A63B 60/02
10,512,829	B2 *	12/2019	Parsons	A63B 53/0466
D893,647	S *	8/2020	Parsons	D21/747
D893,648	S *	8/2020	Parsons	D21/747
D894,302	S *	8/2020	Parsons	D21/747
10,814,193	B2 *	10/2020	Parsons	A63B 53/042
10,864,414	B2 *	12/2020	Parsons	A63B 60/52
10,874,919	B2 *	12/2020	Parsons	A63B 1/00
10,940,375	B2 *	3/2021	Parsons	A63B 60/02
D915,535	S *	4/2021	Parsons	D21/747
11,058,932	B2 *	7/2021	Parsons	A63B 53/0475
D926,900	S *	8/2021	Nicolette	D21/747
2005/0277485	A1 *	12/2005	Hou	A63B 60/54 473/332
2015/0231454	A1 *	8/2015	Parsons	A63B 53/06 473/335

* cited by examiner

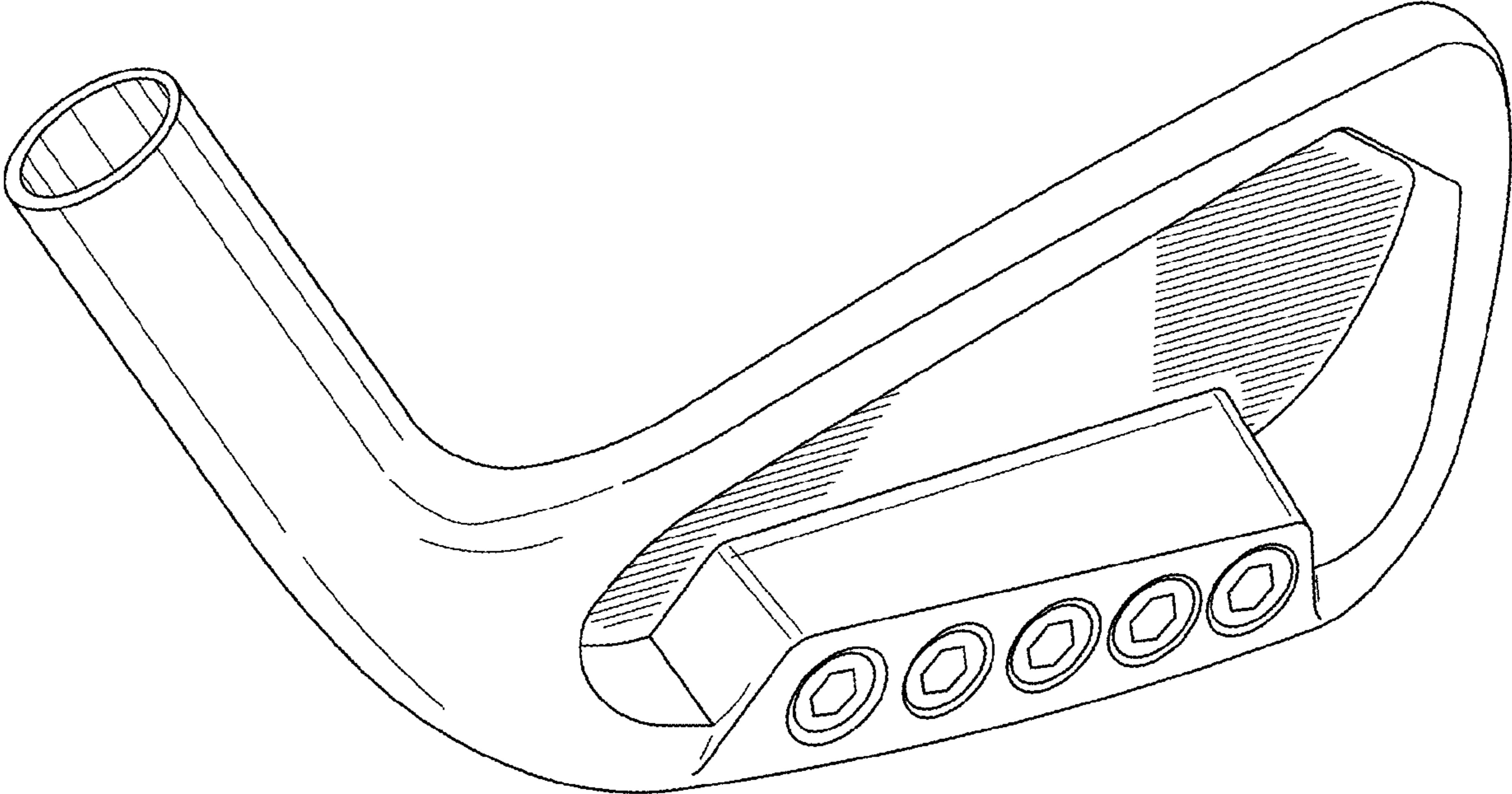


FIG. 1

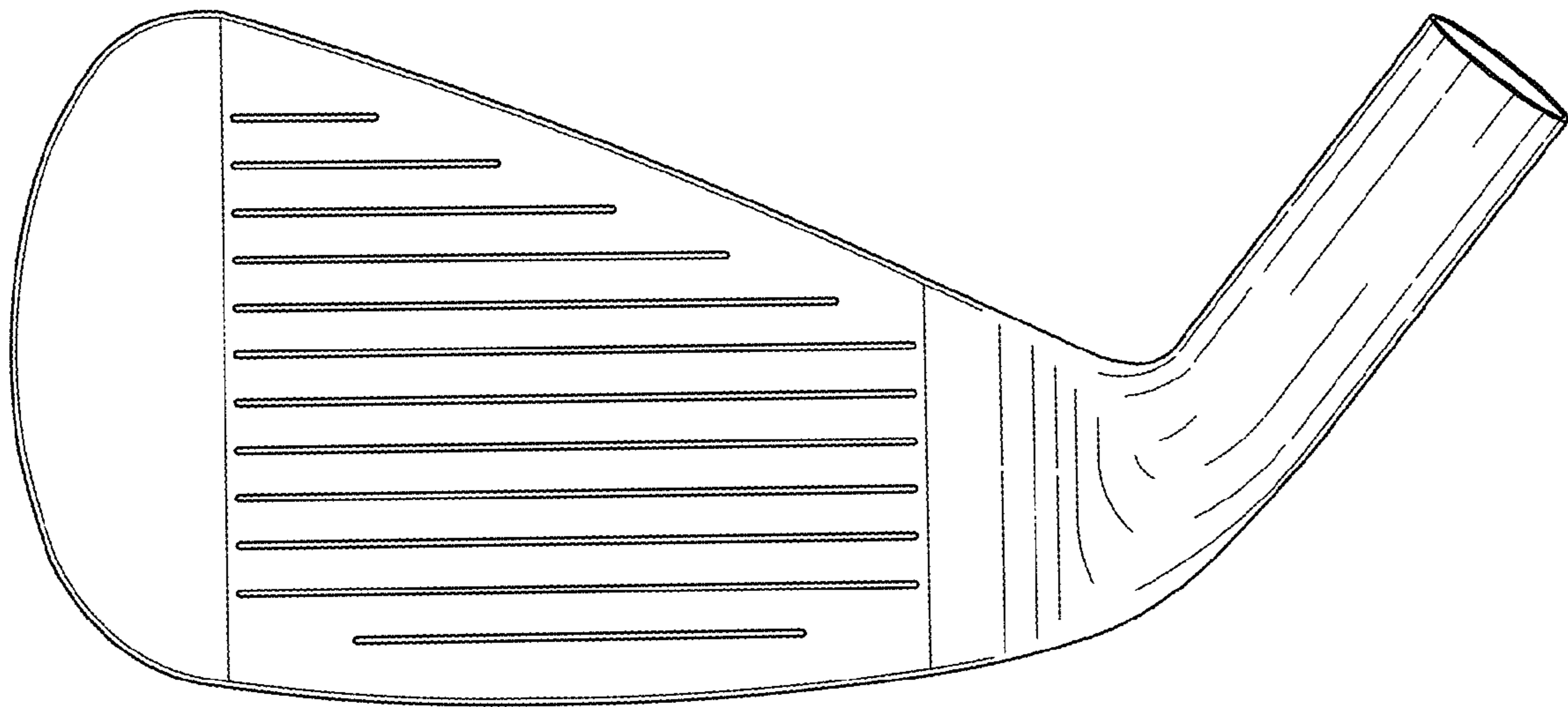


FIG. 2

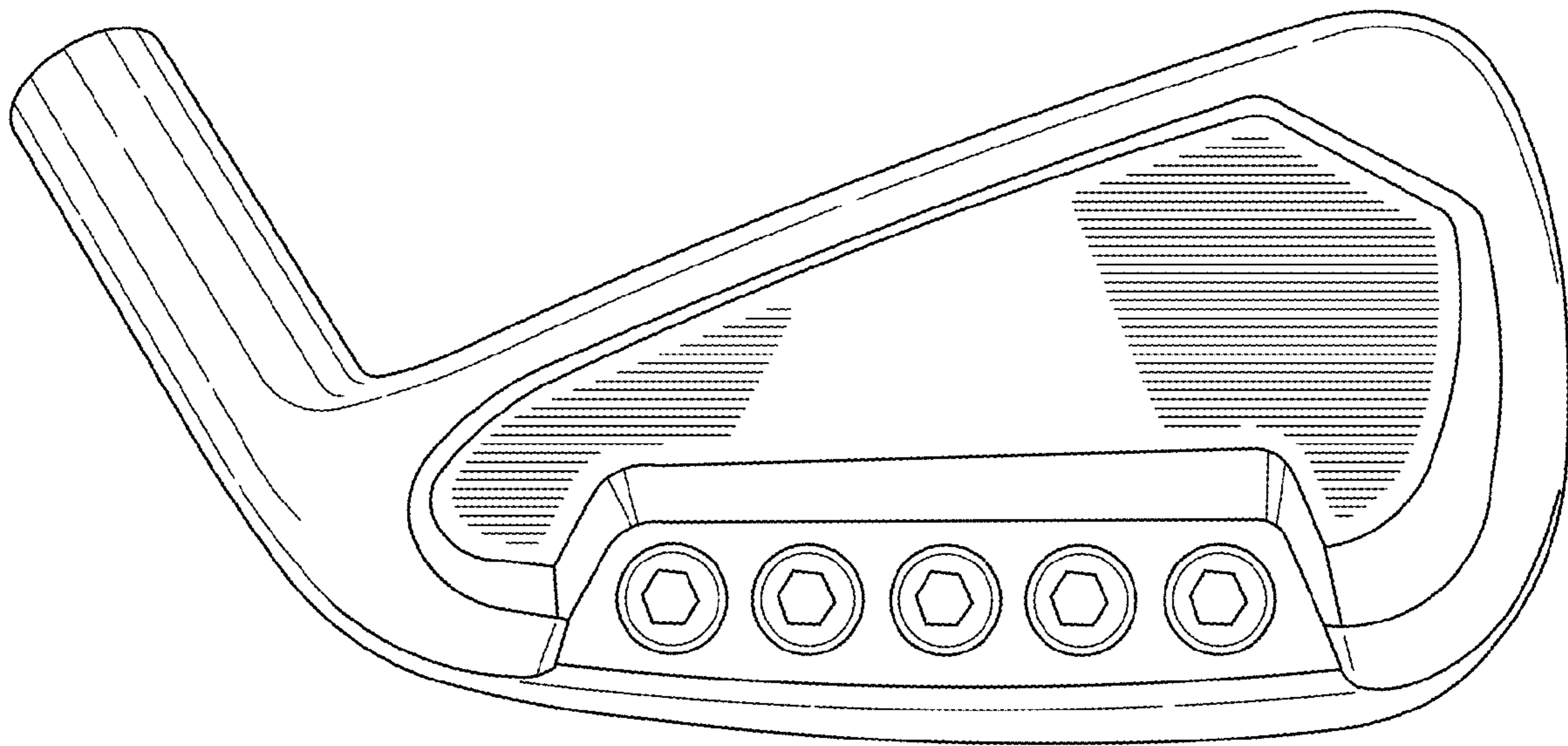


FIG. 3

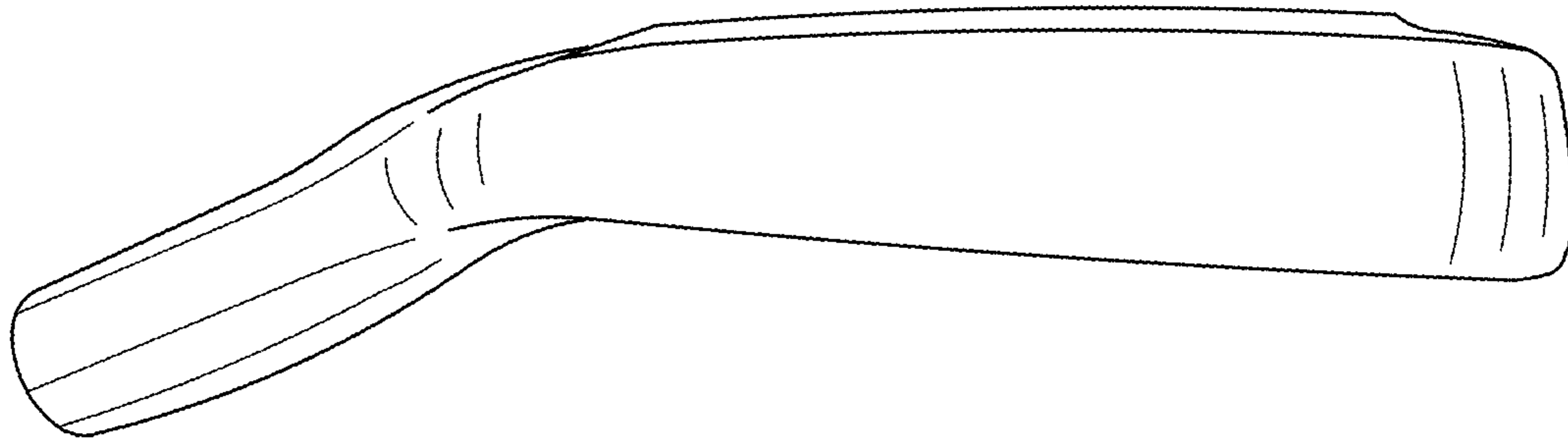


FIG. 4

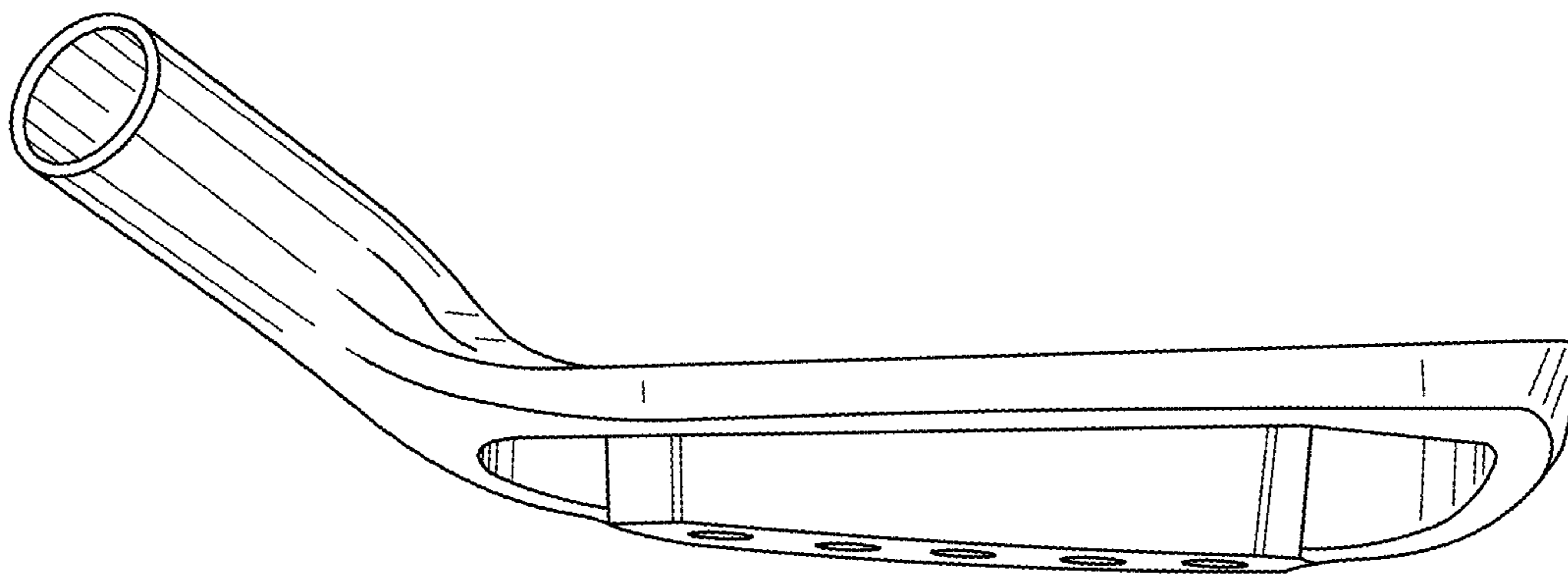


FIG. 5

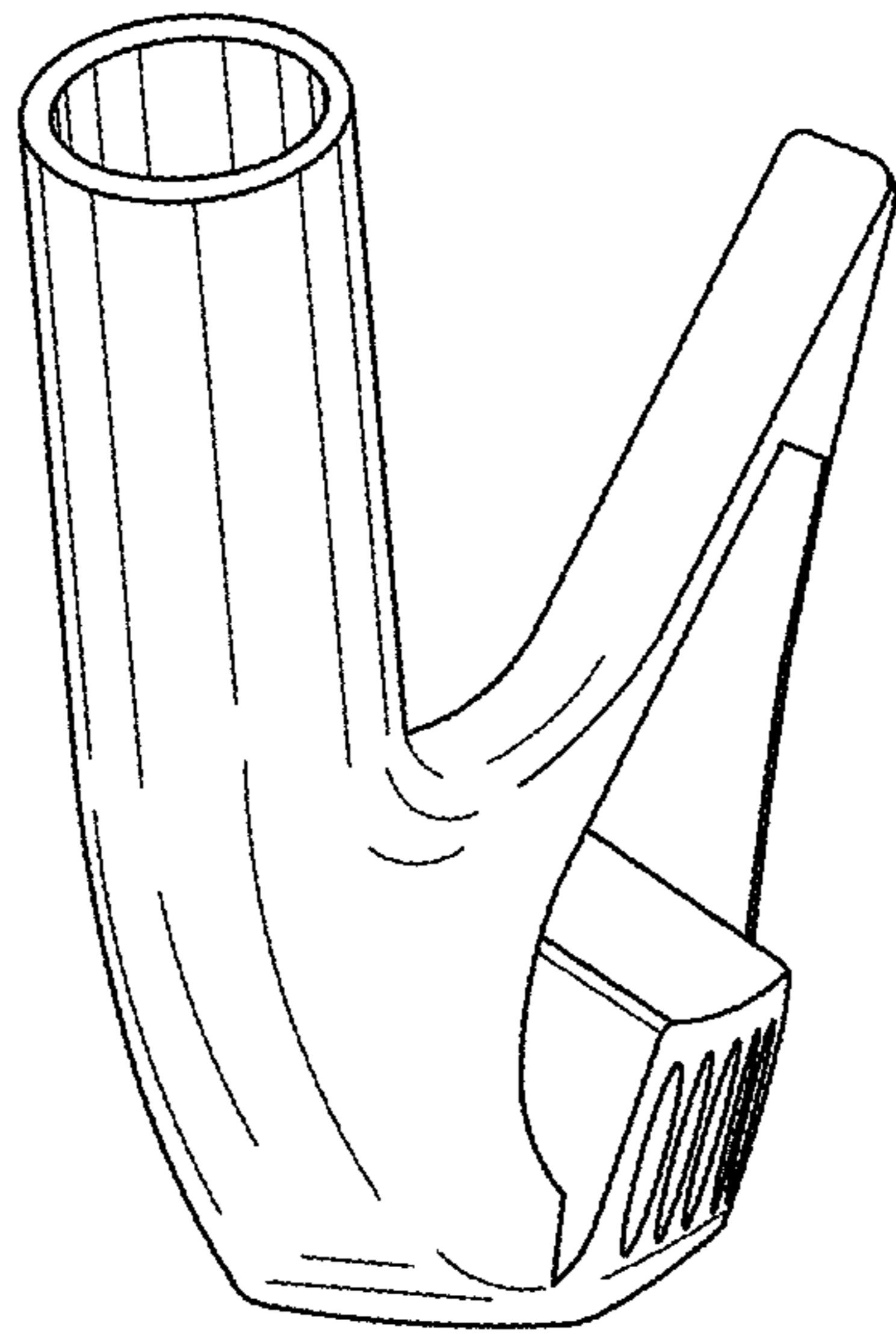


FIG. 6

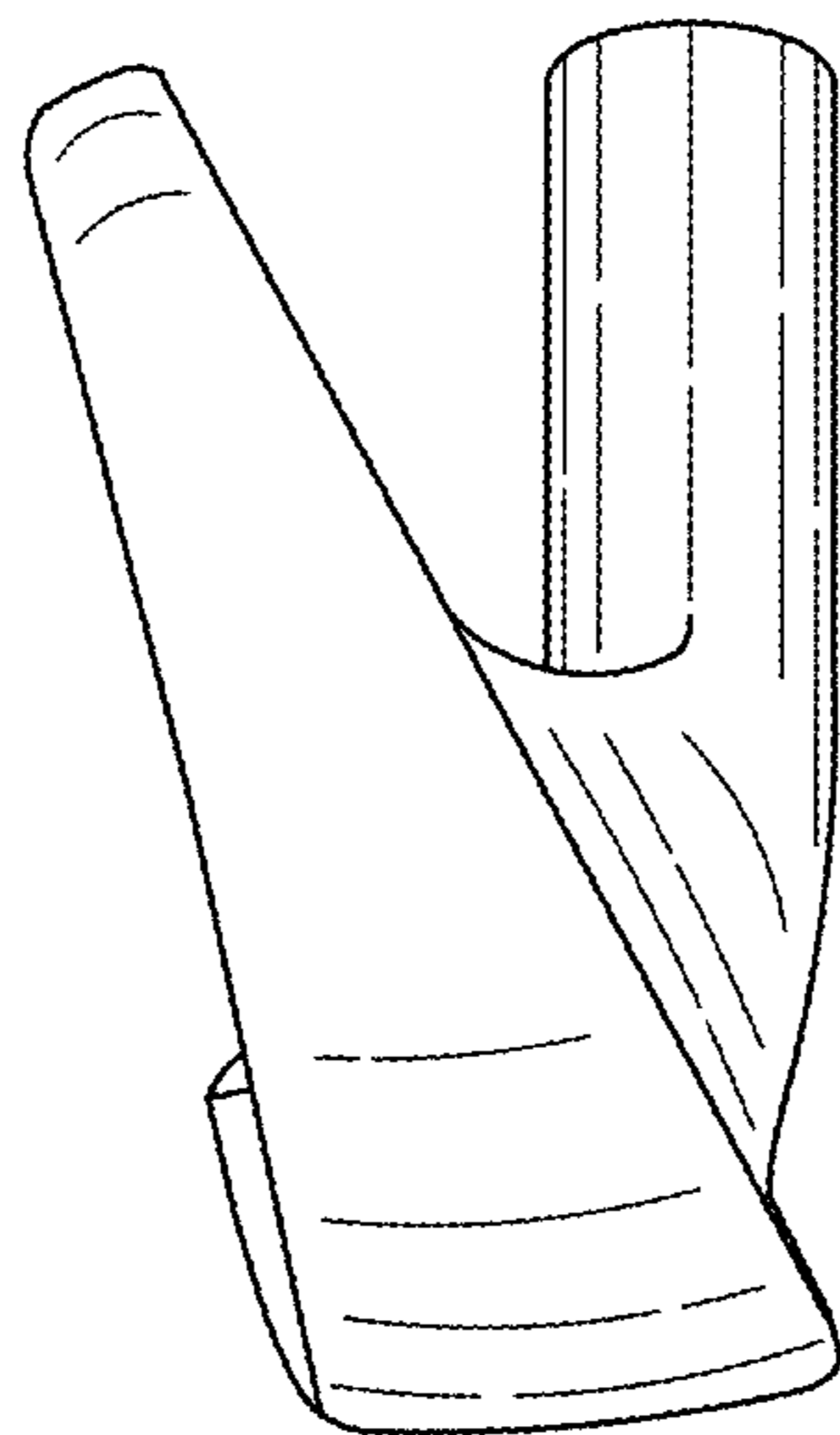


FIG. 7