



US00D934363S

(12) **United States Design Patent** (10) **Patent No.:** **US D934,363 S**
Serrano (45) **Date of Patent:** **** Oct. 26, 2021**

(54) **GOLF CLUB HEAD**
(71) Applicant: **KARSTEN MANUFACTURING CORPORATION**, Phoenix, AZ (US)
(72) Inventor: **Anthony D. Serrano**, Anthem, AZ (US)
(73) Assignee: **Karsten Manufacturing Corporation**, Phoenix, AZ (US)

D458,979 S 6/2002 Hill
D488,200 S 4/2004 Olsavsky
D491,991 S * 6/2004 Friebus D21/738
D496,417 S 9/2004 Tang
D500,109 S 12/2004 Solheim
D500,110 S 12/2004 Solheim
6,837,801 B1 1/2005 Souza
6,878,071 B1 4/2005 Schwieger
(Continued)

Primary Examiner — Mitchell I. Siegel

(**) Term: **15 Years**

(57) **CLAIM**

The ornamental design for a golf club head, as shown and described.

(21) Appl. No.: **29/731,825**

DESCRIPTION

(22) Filed: **Apr. 17, 2020**
(51) **LOC (13) Cl.** **21-02**
(52) **U.S. Cl.**
USPC **D21/746**
(58) **Field of Classification Search**
USPC D21/736–746, 759
CPC A63B 53/00; A63B 53/04; A63B 53/007;
A63B 53/065; A63B 53/0487; A63B
60/00; A63B 60/46
See application file for complete search history.

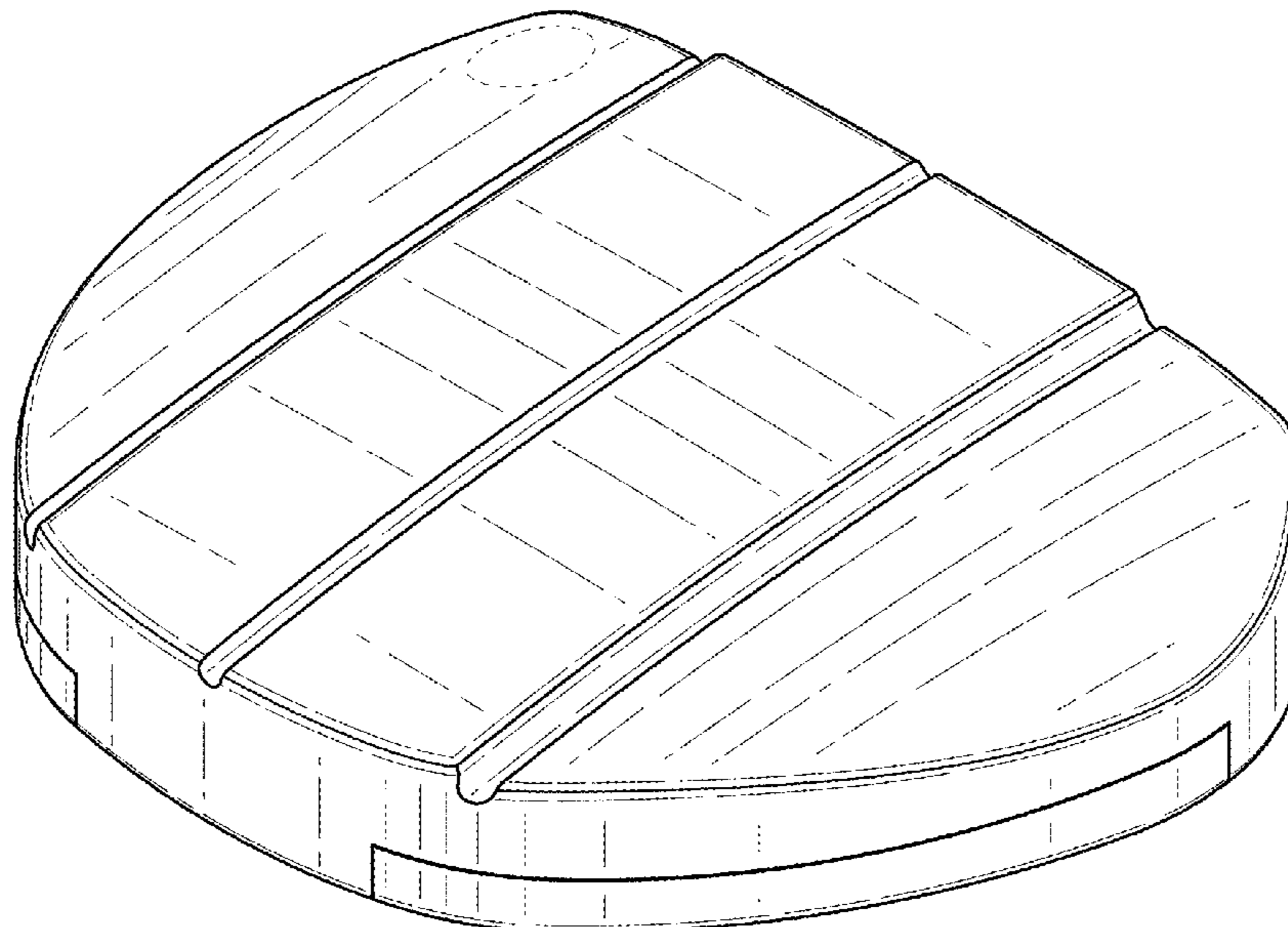
FIG. 1 is a top perspective view of a golf club head;
FIG. 2 is a bottom perspective view of the golf club head of FIG. 1;
FIG. 3 is a top view of the golf club head of FIG. 1;
FIG. 4 is a bottom view of the golf club head of FIG. 1;
FIG. 5 is a front view of the golf club head of FIG. 1;
FIG. 6 is a rear view of the golf club head of FIG. 1;
FIG. 7 is a heel side view of the golf club head of FIG. 1;
FIG. 8 is a toe side view of the golf club head of FIG. 1;
FIG. 9 is a top perspective view of another embodiment of a golf club head;
FIG. 10 is a bottom perspective view of the golf club head of FIG. 9;
FIG. 11 is a top view of the golf club head of FIG. 9;
FIG. 12 is a bottom view of the golf club head of FIG. 9;
FIG. 13 is a front view of the golf club head of FIG. 9;
FIG. 14 is a rear view of the golf club head of FIG. 9;
FIG. 15 is a heel side view of the golf club head of FIG. 9;
and,
FIG. 16 is a toe side view of the golf club head of FIG. 9.
The broken lines shown on the drawings form no part of the claimed design.

(56) **References Cited**

U.S. PATENT DOCUMENTS

D231,624 S * 5/1974 Wilmoth D21/741
D240,751 S 7/1976 Taylor
4,659,083 A 4/1987 Szczepanski
D298,767 S * 11/1988 Szczepanski D21/744
D316,129 S 4/1991 Bryson
D360,010 S 7/1995 Green
D375,131 S 10/1996 Williams
D380,029 S * 6/1997 Anderson D21/745
D382,615 S 8/1997 Schaeffer
5,685,784 A 11/1997 Butler
D399,900 S 10/1998 Hogan
D401,636 S * 11/1998 Duclos D21/742
D444,194 S * 6/2001 Calabro D21/738

1 Claim, 12 Drawing Sheets



(56)

References Cited

U.S. PATENT DOCUMENTS

6,893,355 B2	5/2005	Souza	D600,762 S	9/2009	Serrano	
D507,612 S	7/2005	Souza	D607,950 S	1/2010	Souza	
D507,613 S	7/2005	Baiocchi	D621,458 S	8/2010	Serrano	
6,926,615 B1	8/2005	Souza	D621,460 S	8/2010	Serrano	
6,960,140 B2	11/2005	Solheim	D621,461 S	8/2010	Serrano	
6,966,845 B2	11/2005	Solheim	D621,462 S	8/2010	Serrano	
D520,584 S	5/2006	Karlsen	D621,891 S	8/2010	Serrano	
D521,582 S	5/2006	Souza	7,803,066 B2	9/2010	Solheim	
7,052,411 B2	5/2006	Solheim	D638,891 S	5/2011	Nicolette	
D522,598 S	6/2006	Solheim	D643,080 S	8/2011	Serrano	
7,077,758 B2	7/2006	Rohrer	D643,485 S	8/2011	Nicollette	
7,086,957 B2	8/2006	Solheim	D643,486 S	8/2011	Serrano	
D529,108 S	9/2006	Stites	D643,487 S	8/2011	Serrano	
D533,243 S	12/2006	Fife	8,100,779 B2	1/2012	Solheim	
D543,598 S *	5/2007	Kuan D21/736	D653,718 S	2/2012	Stokke	
7,235,021 B2	6/2007	Solheim	8,109,838 B2	2/2012	Solheim	
D548,295 S	8/2007	Jertson	D664,617 S	7/2012	Serrano	
7,255,650 B2	8/2007	Braynt	D715,388 S *	10/2014	Serrano D21/743	
D552,197 S	10/2007	Wells	D735,283 S	7/2015	Solheim	
D565,137 S	3/2008	Oldknow	D754,805 S	4/2016	Serrano	
D569,460 S	5/2008	Walker	D774,610 S *	12/2016	Serrano D21/744	
D569,462 S	5/2008	Rollinson	D776,771 S	1/2017	Peterson	
D571,879 S	6/2008	Jones et al.	D797,222 S *	9/2017	Serrano D21/744	
D574,907 S	8/2008	Jones	D832,950 S *	11/2018	Serrano D21/746	
D581,473 S	11/2008	Thomas	D840,482 S *	2/2019	Serrano D21/736	
D583,003 S	12/2008	Solheim	D865,091 S *	10/2019	Rollinson D21/744	
D587,325 S	2/2009	Solheim	D879,222 S *	3/2020	Serrano D21/742	
D594,073 S	6/2009	Kadoya	D898,848 S *	10/2020	Clarke D21/743	
D595,372 S	6/2009	Rollinson	D905,185 S *	12/2020	Rollinson D21/759	
D600,294 S	9/2009	Mills	2003/0083149 A1	5/2003	Scarpa	
D600,760 S	9/2009	Serrano	2006/0094533 A1	5/2006	Warren	
D600,761 S	9/2009	Solheim	2006/0166755 A1	7/2006	Brown	
			2007/0191135 A1	8/2007	Nilsson	
			2010/0227704 A1	9/2010	Souza	
			2014/0179459 A1	6/2014	Schartiger	

* cited by examiner

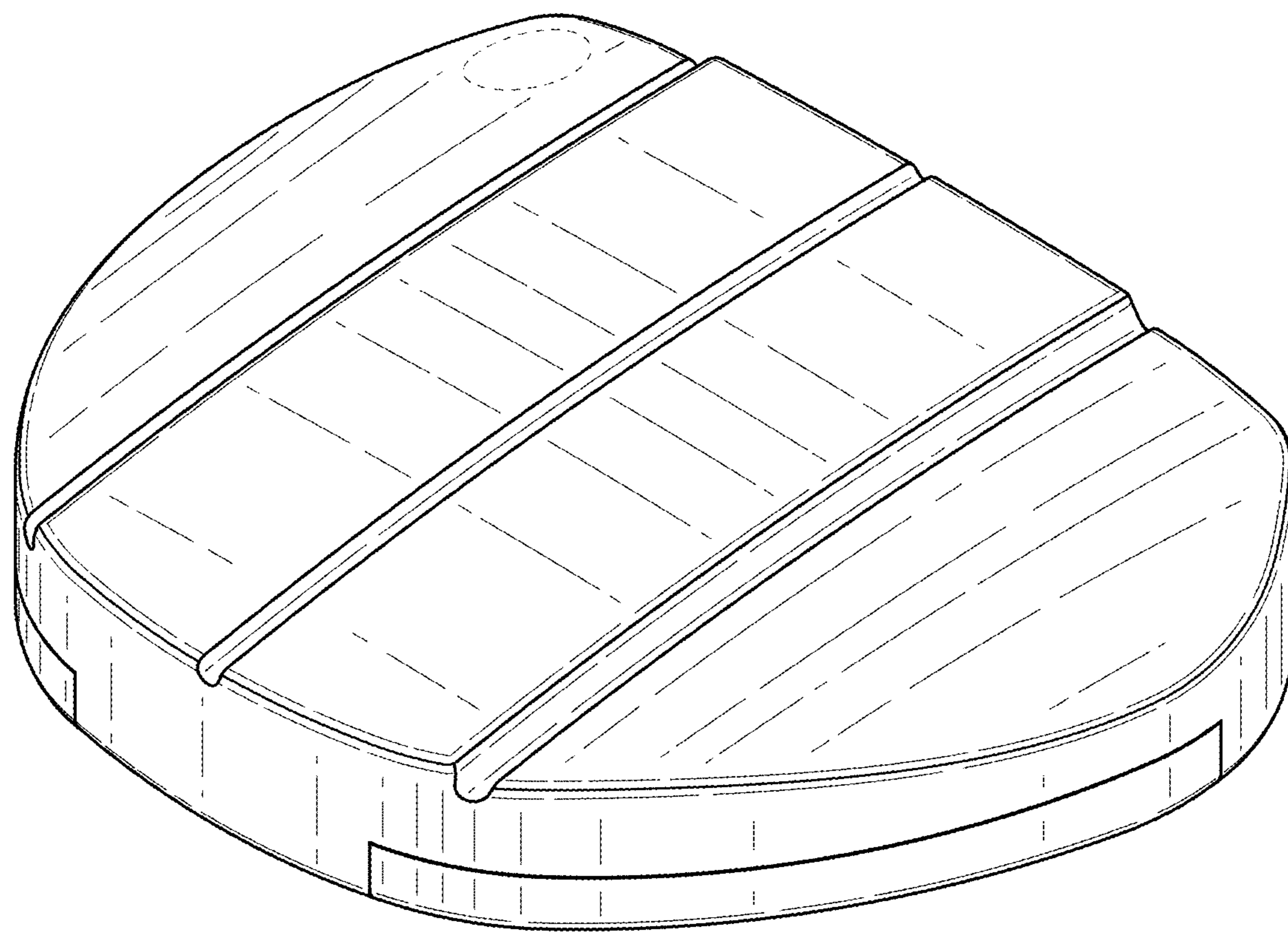


FIG. 1

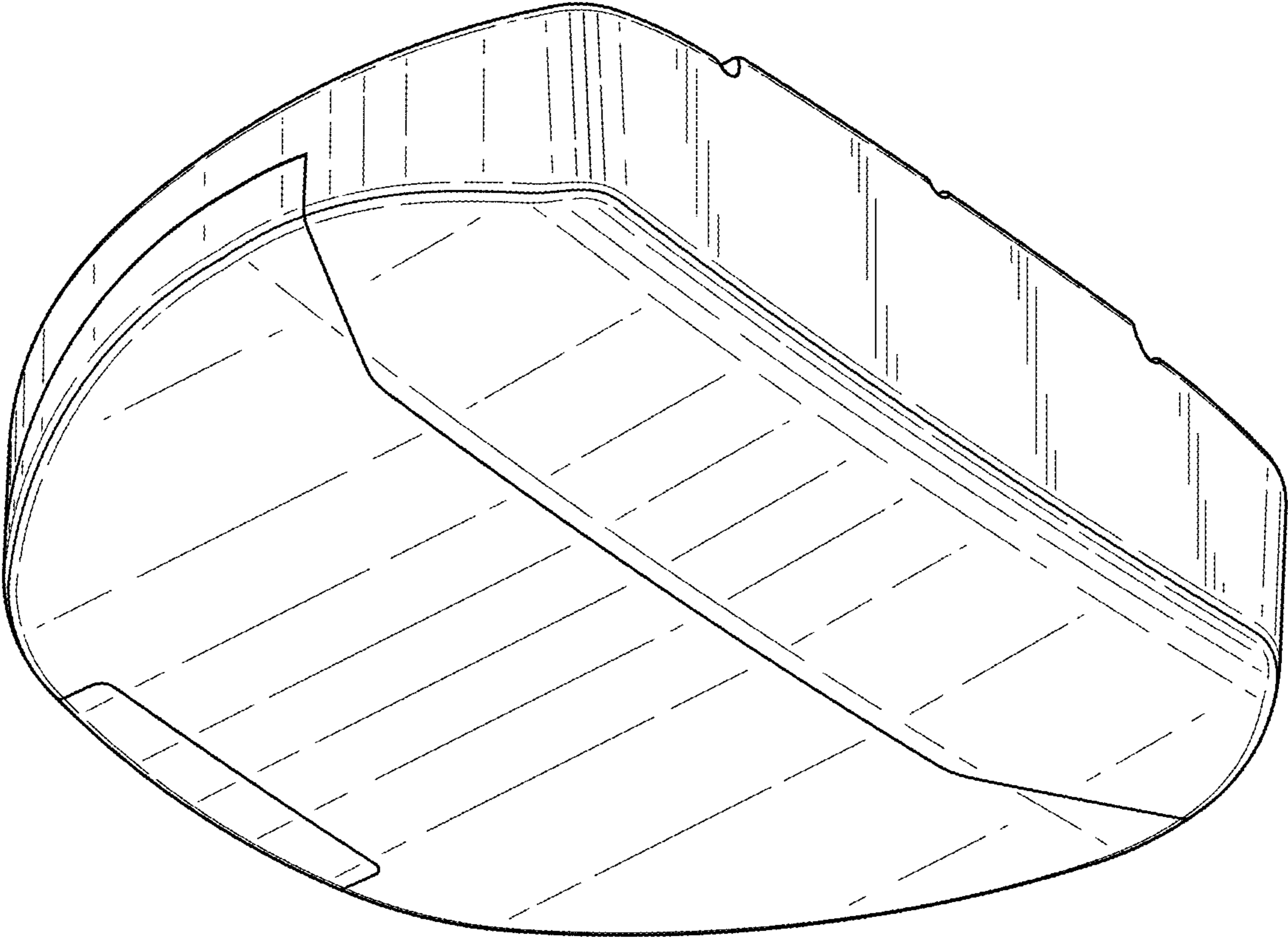


FIG. 2

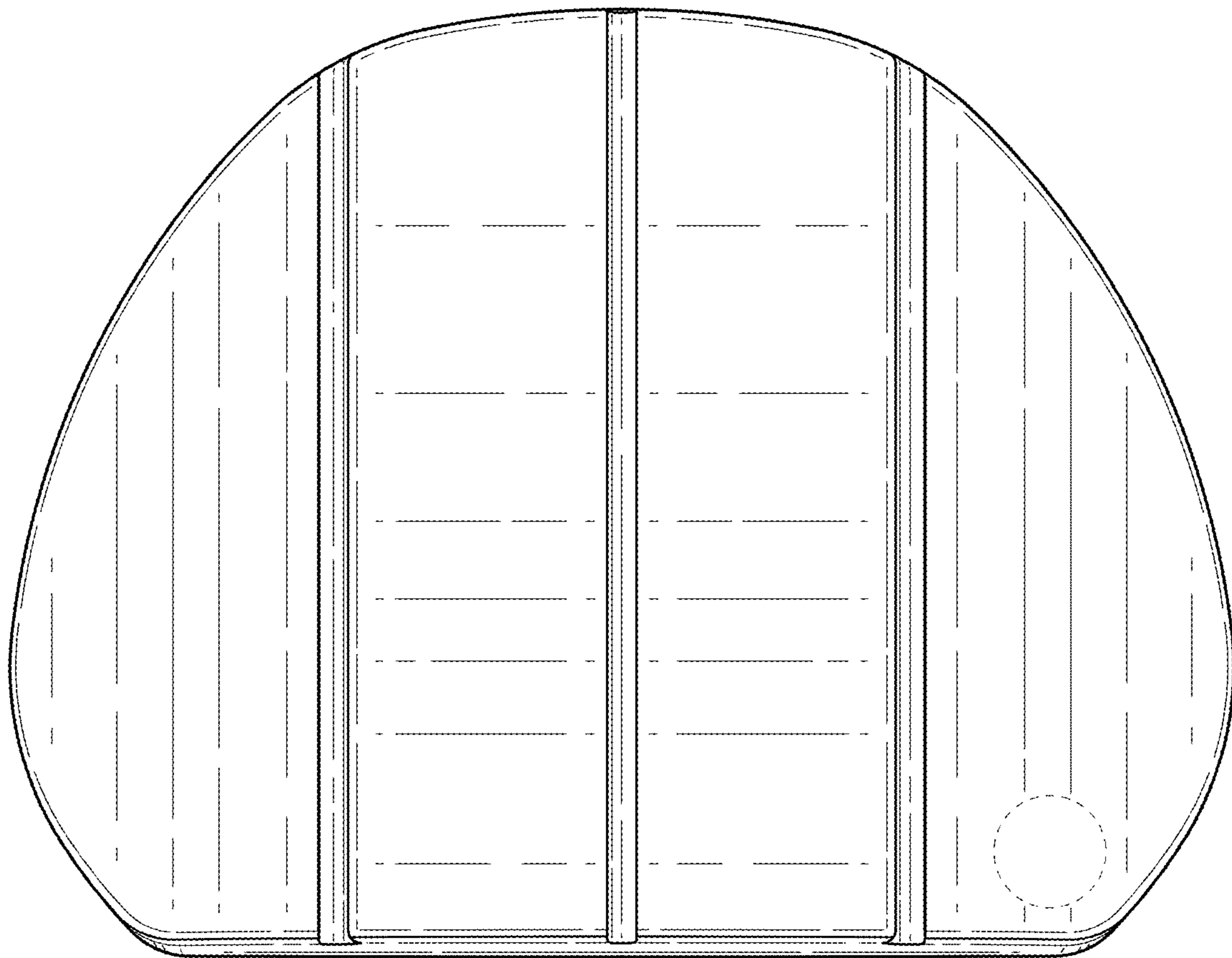


FIG. 3

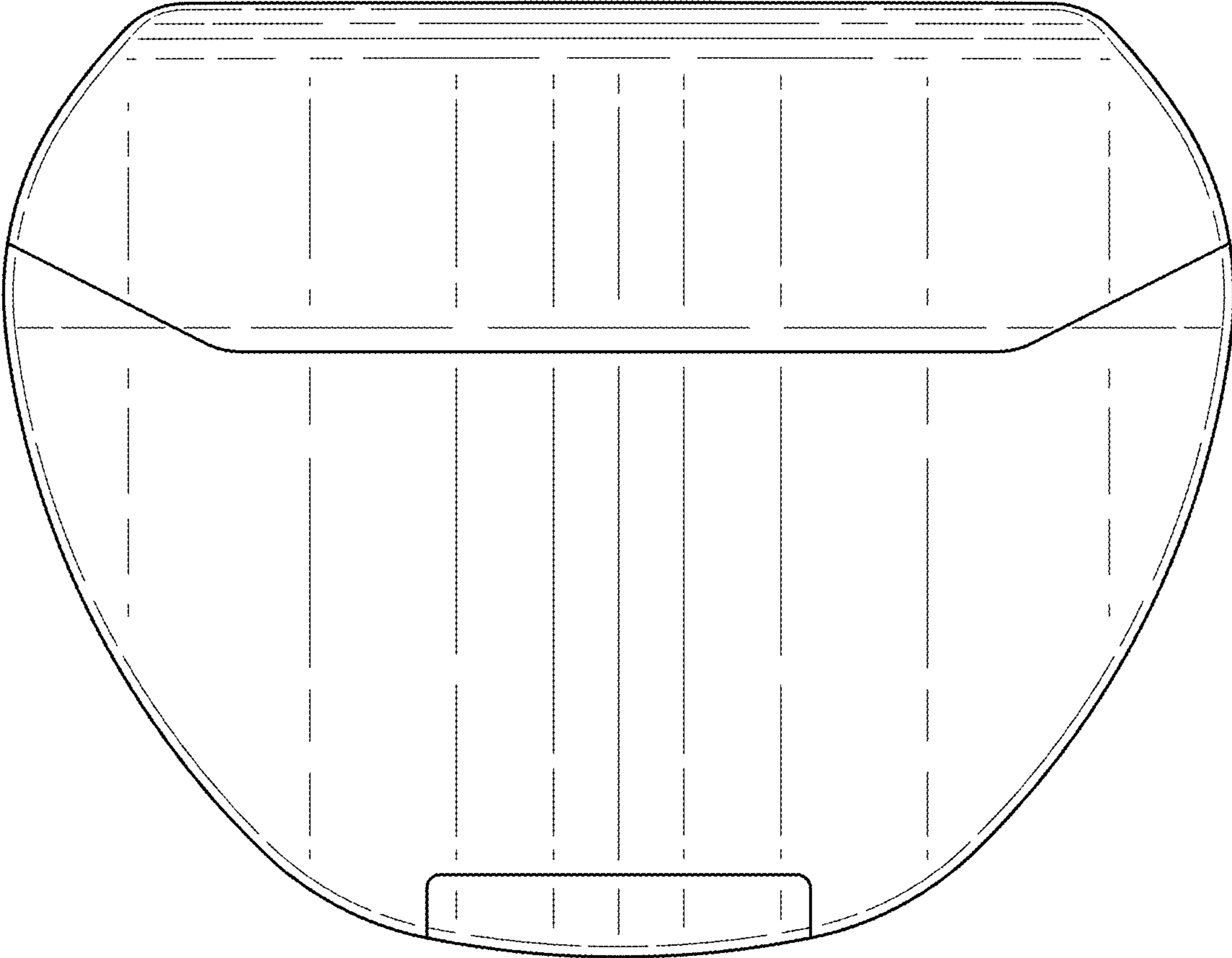


FIG. 4

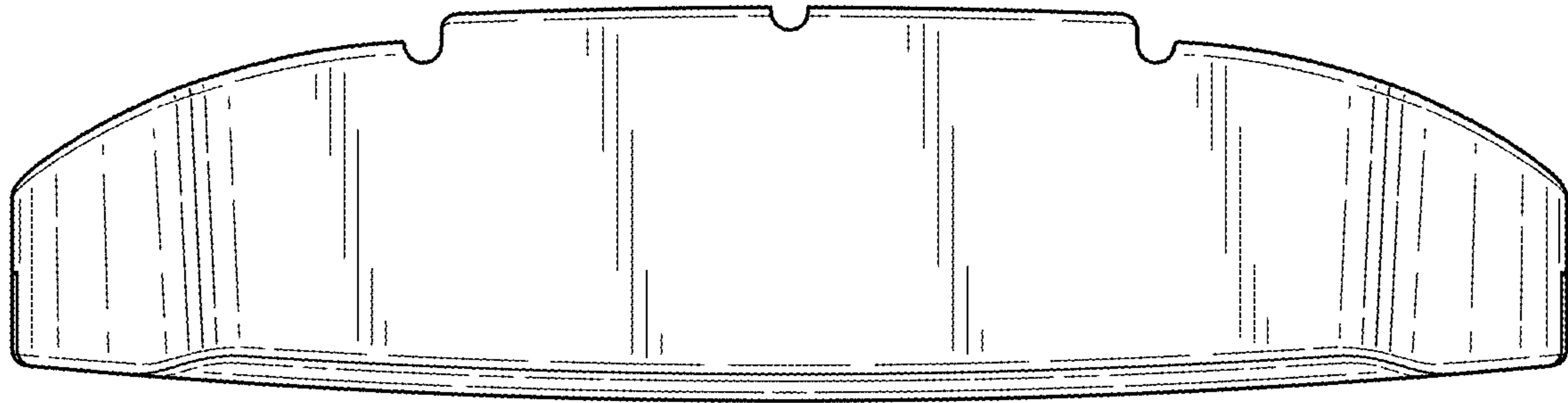


FIG. 5

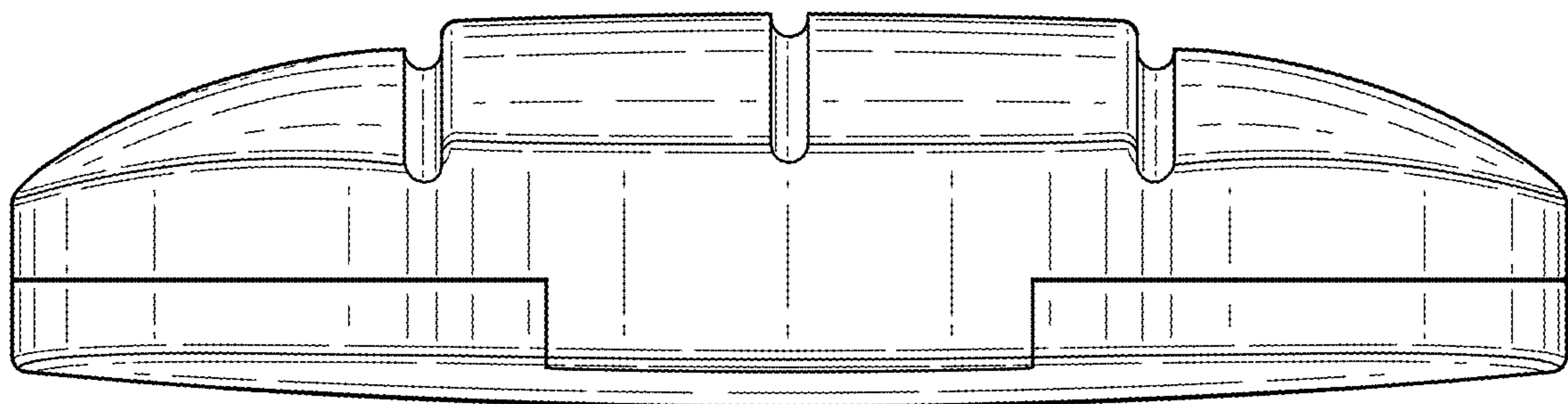


FIG. 6

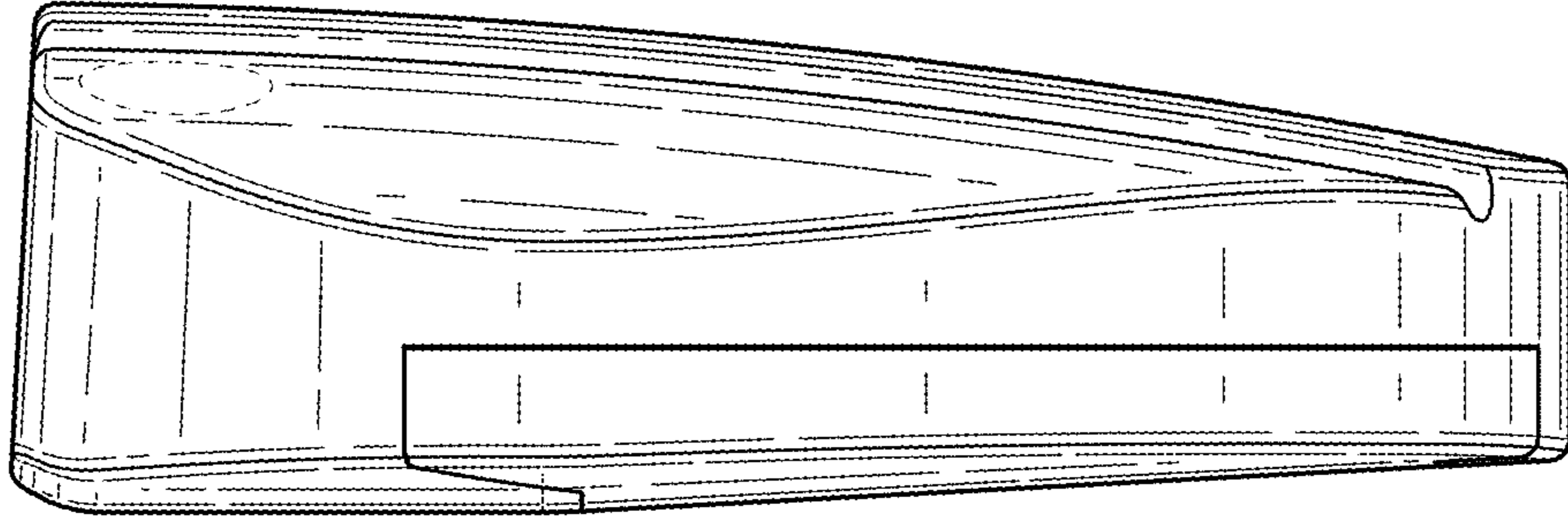


FIG. 7

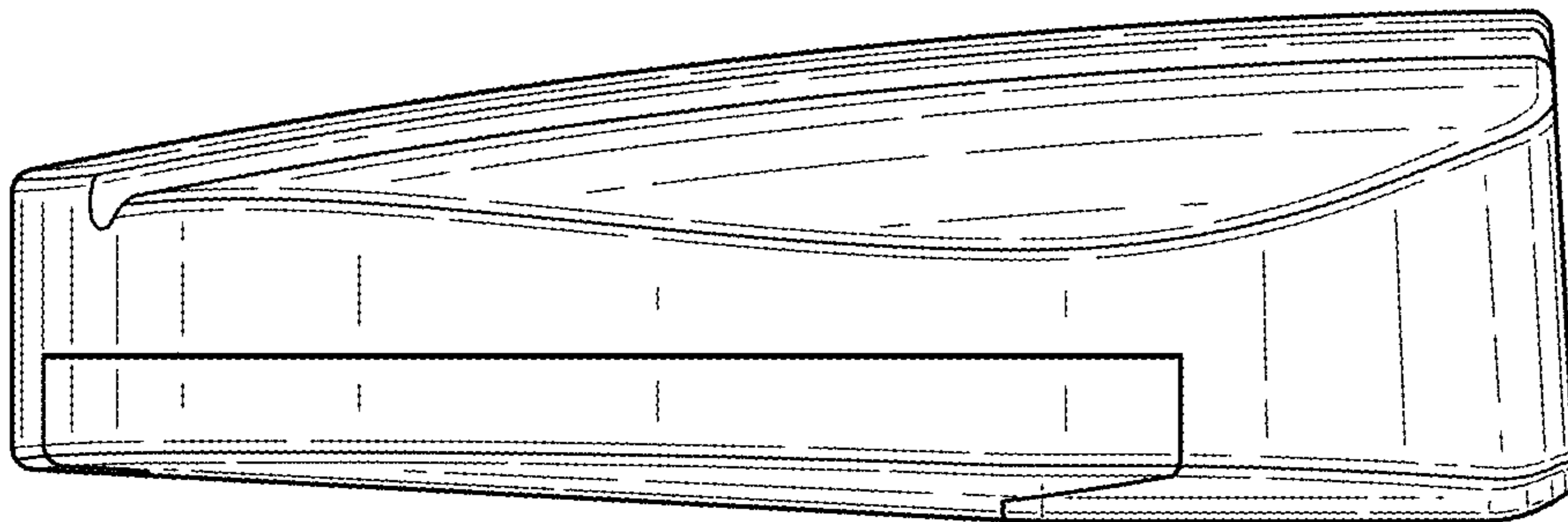


FIG. 8

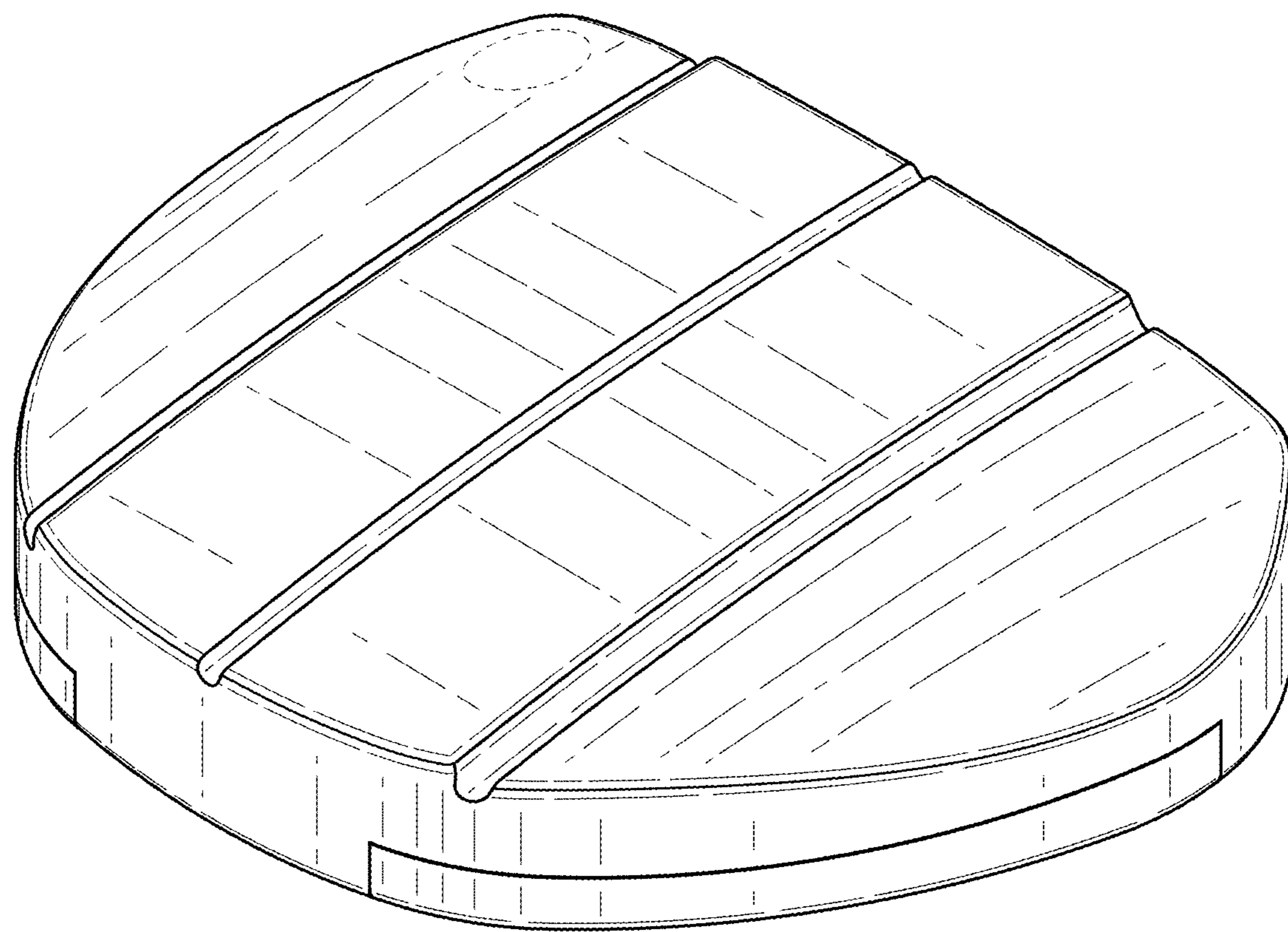


FIG. 9

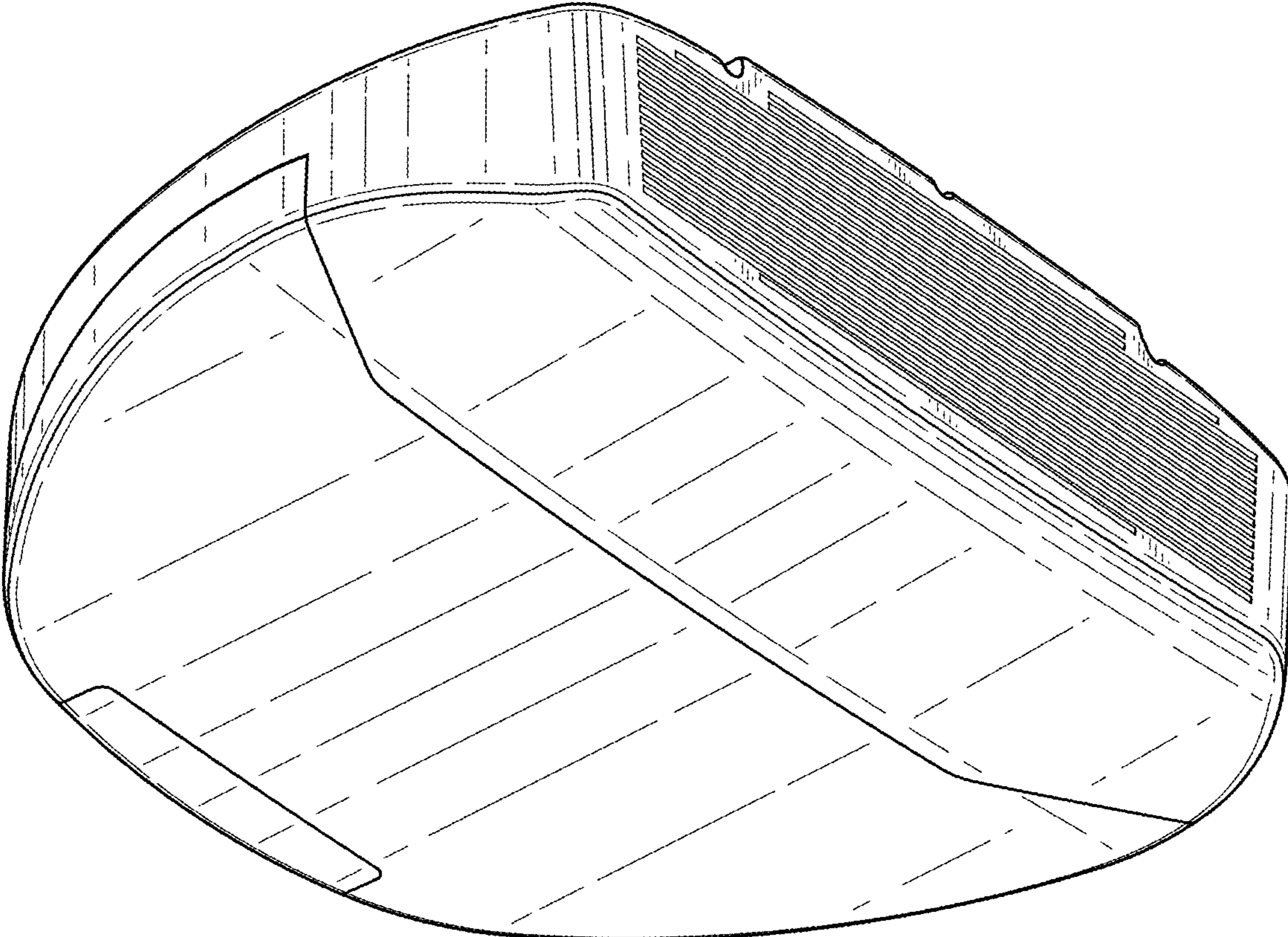


FIG. 10

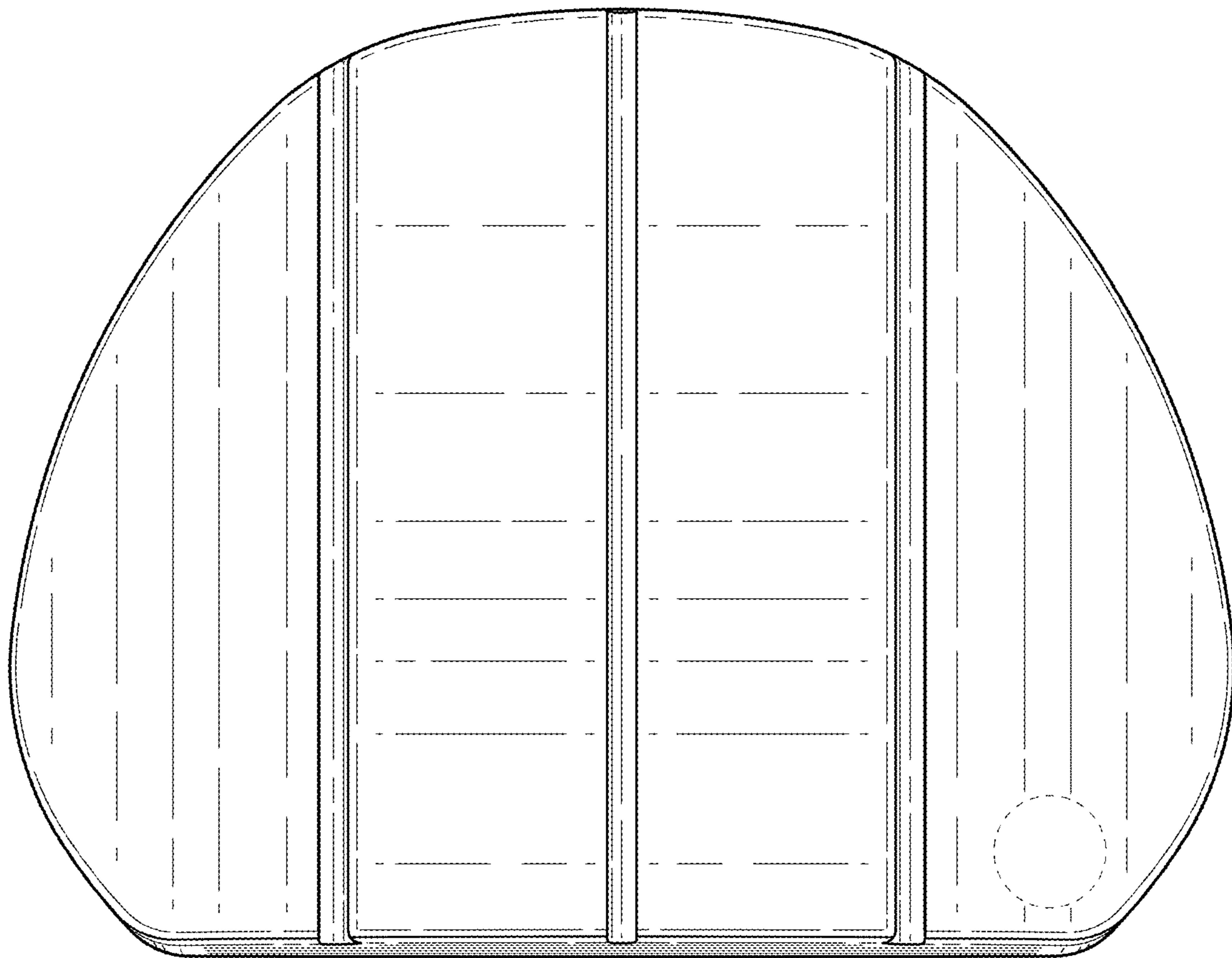


FIG. 11

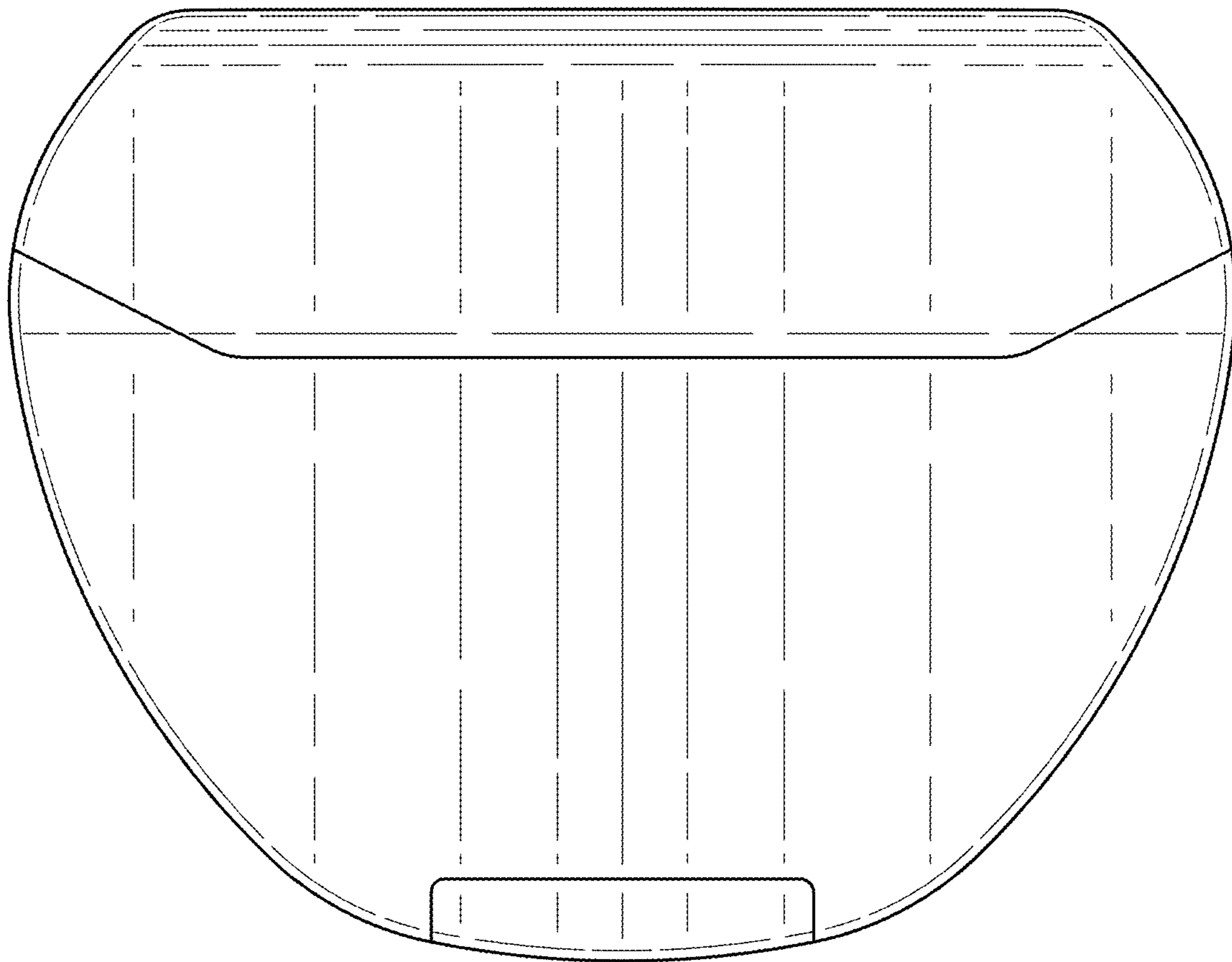


FIG. 12

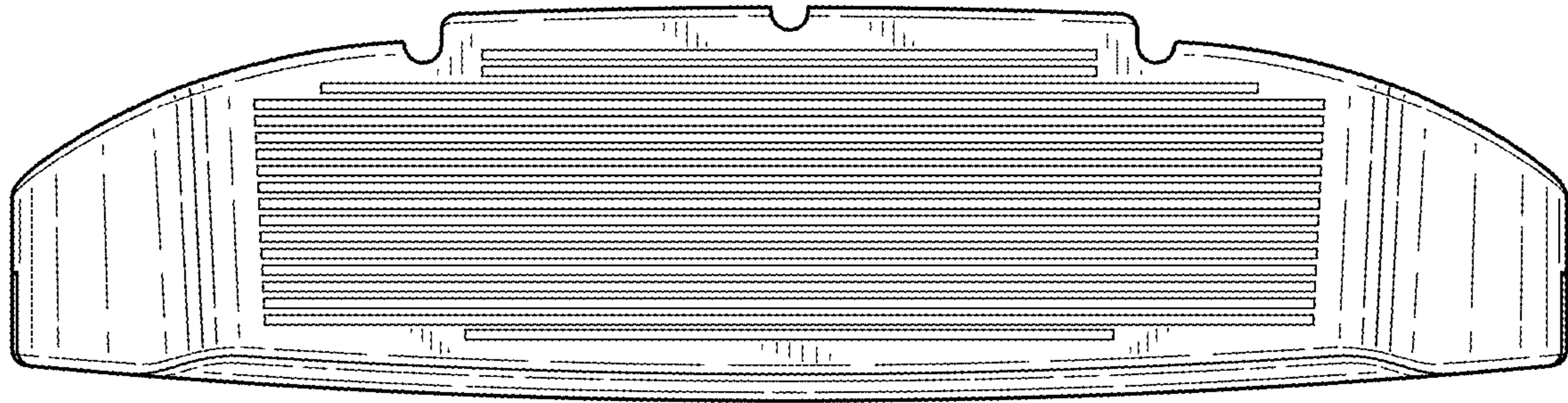


FIG. 13

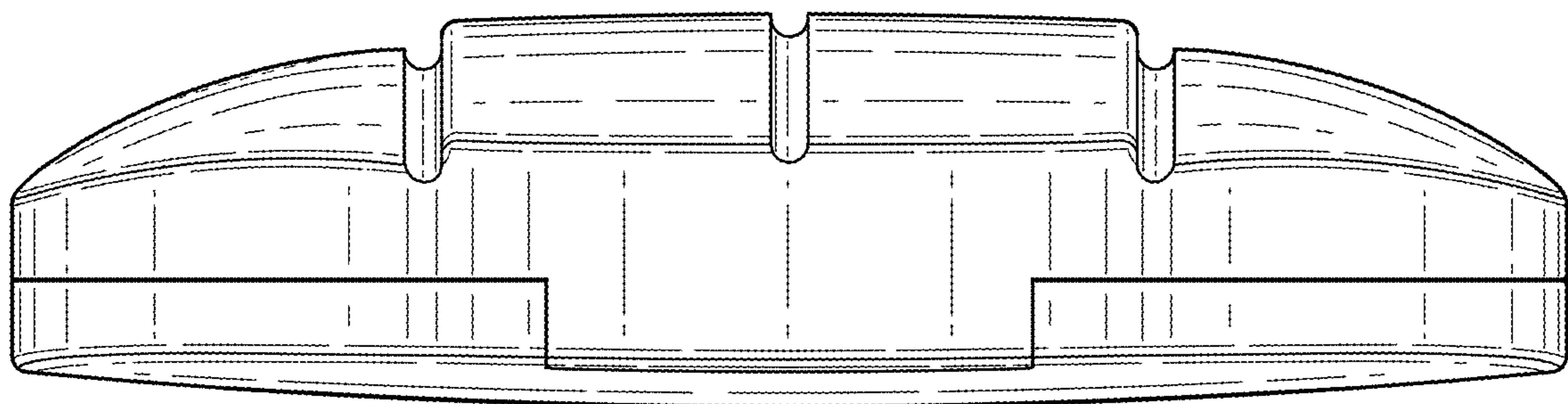


FIG. 14

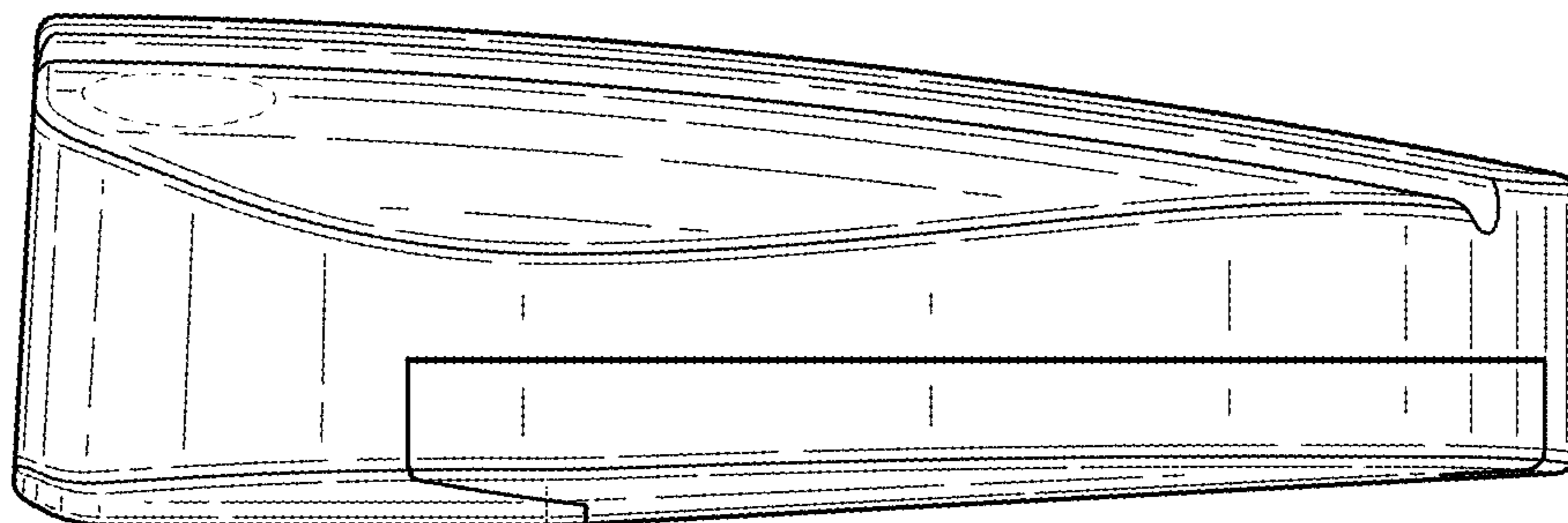


FIG. 15

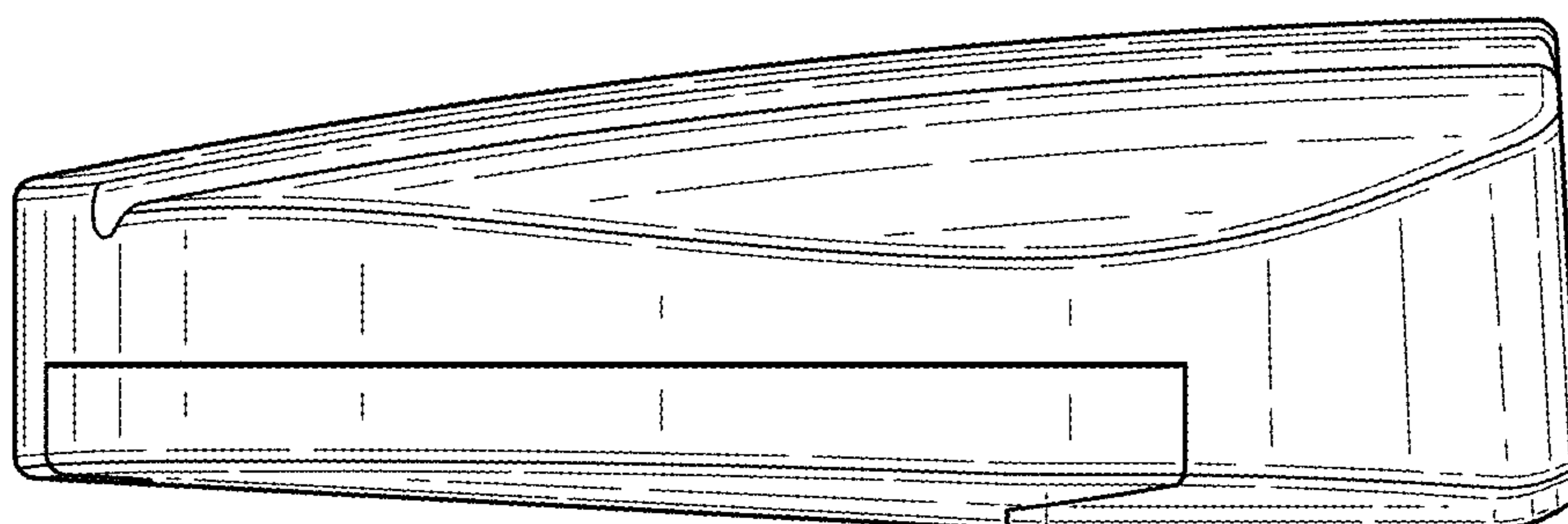


FIG. 16