



US00D934358S

(12) **United States Design Patent**
Huang

(10) **Patent No.:** **US D934,358 S**

(45) **Date of Patent:** **** Oct. 26, 2021**

(54) **SIT-UP EXERCISE DEVICE**

(71) Applicant: **Yongkang Hongdu Industry and Trade Co., Ltd.**, Jinhua (CN)

(72) Inventor: **Bindi Huang**, Yueqing (CN)

(**) Term: **15 Years**

(21) Appl. No.: **29/728,658**

(22) Filed: **Mar. 20, 2020**

(51) **LOC (13) Cl.** **21-02**

(52) **U.S. Cl.**
USPC **D21/687**

(58) **Field of Classification Search**
USPC D21/687, 690, 662; D6/334, 342, 349,
D6/352, 353, 354, 373, 377, 652.2, 653,
D6/653.1, 657, 659, 668, 668.2, 671.1,
D6/675, 684, 705.1
See application file for complete search history.

(56) **References Cited**

U.S. PATENT DOCUMENTS

D277,219 S *	1/1985	Johnson	D21/690
D406,290 S *	3/1999	McBride	D21/690
D425,153 S *	5/2000	Grider	D21/676
6,287,243 B1 *	9/2001	Isom	A63B 21/078 482/104
D455,803 S *	4/2002	Webber	D21/686
6,605,023 B1 *	8/2003	Mobley	A63B 21/078 482/142
7,331,912 B2 *	2/2008	Keiser	A63B 21/4029 482/142
9,707,438 B2 *	7/2017	Vorozilchak	A63B 21/0724
D806,809 S *	1/2018	Orellana	D21/687
D820,362 S *	6/2018	Citterio	D21/687
D907,144 S *	1/2021	Zhao	D21/690
2006/0035772 A1 *	2/2006	Golesh	A63B 21/4031 482/142
2016/0114204 A1 *	4/2016	Swanson	A63B 21/4029 482/142
2017/0259109 A1 *	9/2017	McJames, II	A63B 21/4033
2019/0151699 A1 *	5/2019	Isom	A63B 21/00047

OTHER PUBLICATIONS

UFC Deluxe, announced 2020 [online], [site visited Aug. 9, 2021], Available on internet, URL:https://www.amazon.com/dp/B088PSSLTF/ref=sspa_dk_detail_1?psc=1&pd_rd_i=B088PSSLTF&pd_rd_w=i0jGR&pf_rd_p=9fd3ea7c-b77c-42ac-b43b-c872d3f37c38&pd_rd_wg=1Dosw&pf_rd_r=ZSGH922WD5R2WNC3MC32&pd_rd_r=ef4f213a-2fcc-4441-8b17-a30f5907b11e&spLa=ZW5jenlwdGVkUXVhbGlmaWVyPUEwMjY2MjUxMTI1TU9YOVVCMdVGVVCZ3aWRnZXROYW1IPXNwX2RldGFpbCZlY3Rpb249Y2xpY2tSZWRpc mVjdCZkb05vdExvZ0NsaWNrPXRydWU= (Year: 2020).*

* cited by examiner

Primary Examiner — Khawaja Anwar
Assistant Examiner — Julice Seung Eun Oum

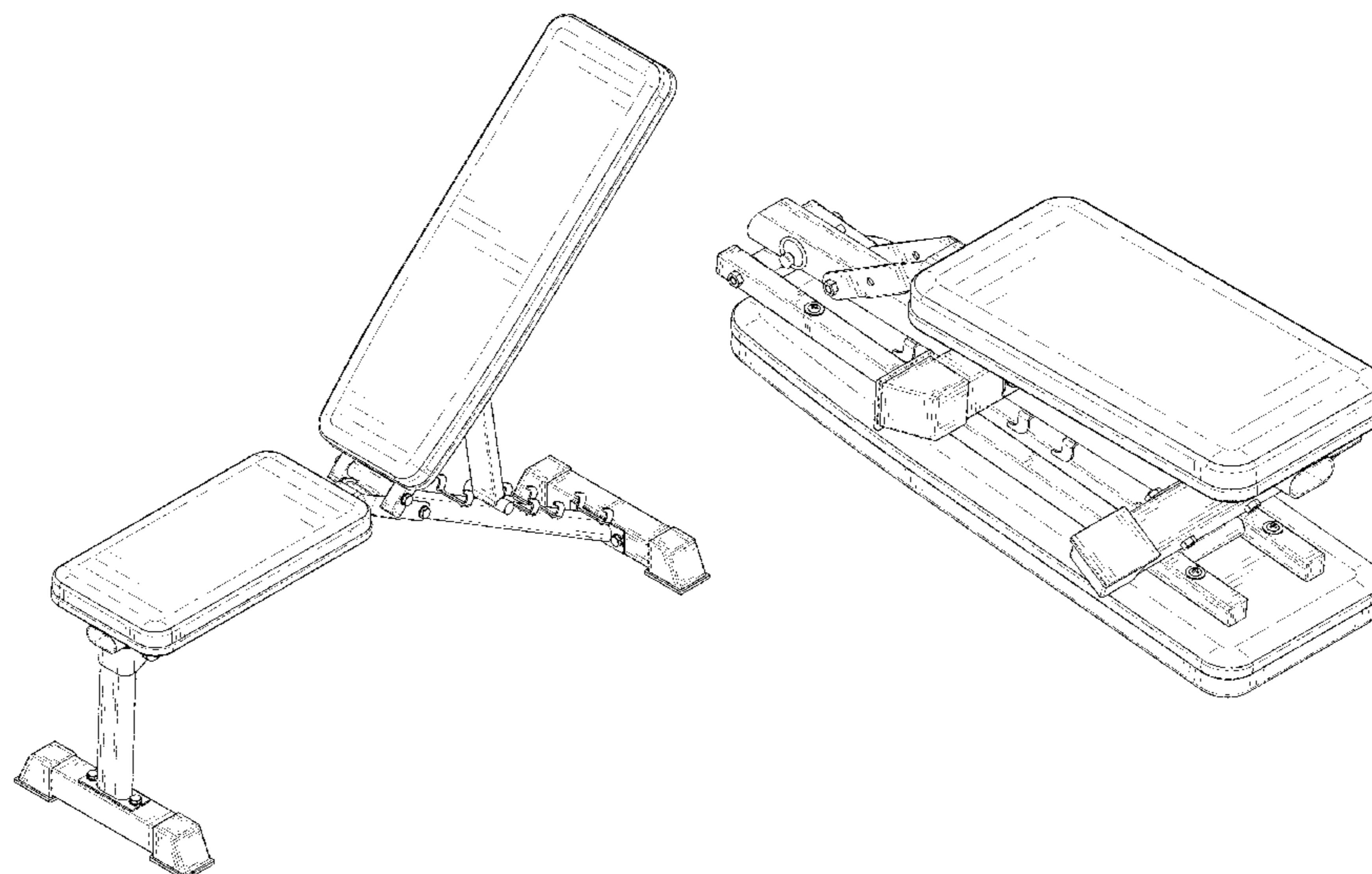
(57) **CLAIM**

The ornamental design for a sit-up exercise device, as shown and described.

DESCRIPTION

FIG. 1 is a front and top perspective view of a sit-up exercise device, showing my new design;
FIG. 2 is a rear and bottom perspective view thereof;
FIG. 3 is a front elevational view thereof;
FIG. 4 is a rear elevational view thereof;
FIG. 5 is a left side elevational view thereof;
FIG. 6 is a right side elevational view thereof;
FIG. 7 is a top plan view thereof;
FIG. 8 is a bottom plan view thereof;
FIG. 9 is a perspective view thereof, showing the sit-up exercise device in an unfolded position; and,
FIG. 10 is a perspective view thereof, showing the sit-up exercise device in a folded position.
The broken lines in the figures illustrate portions of the sit-up exercise device that form no part of the claimed design.

1 Claim, 10 Drawing Sheets



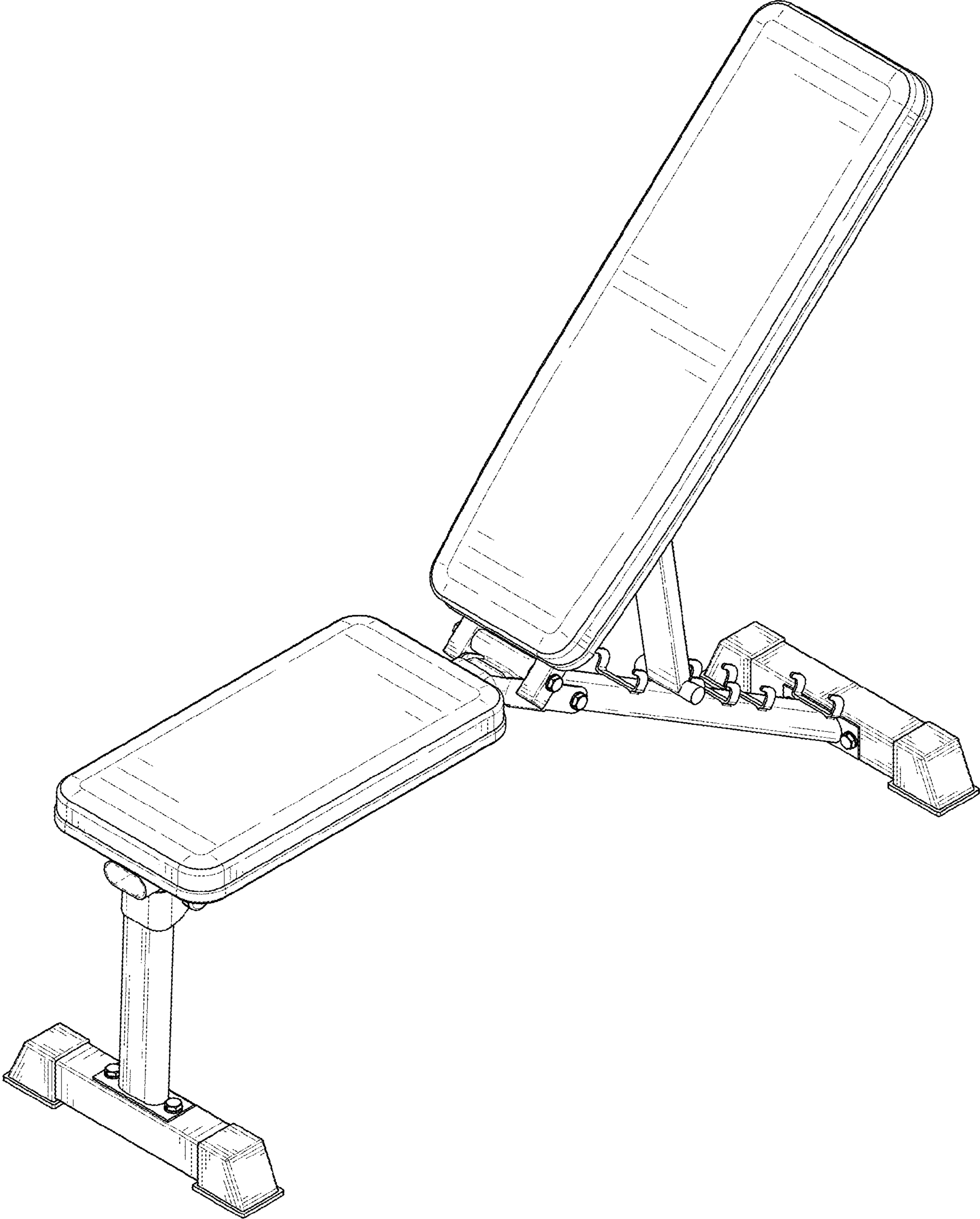


FIG. 1

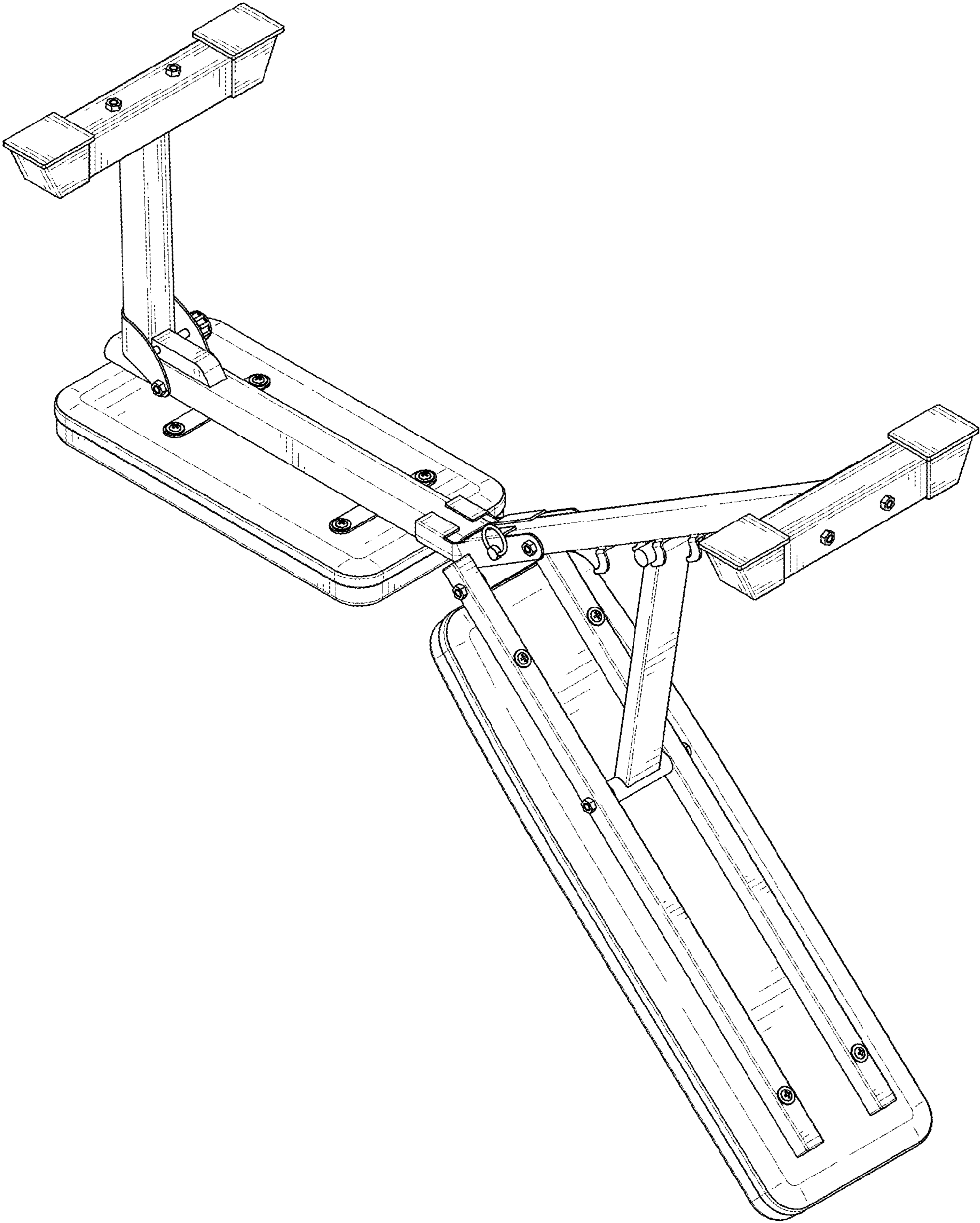


FIG. 2

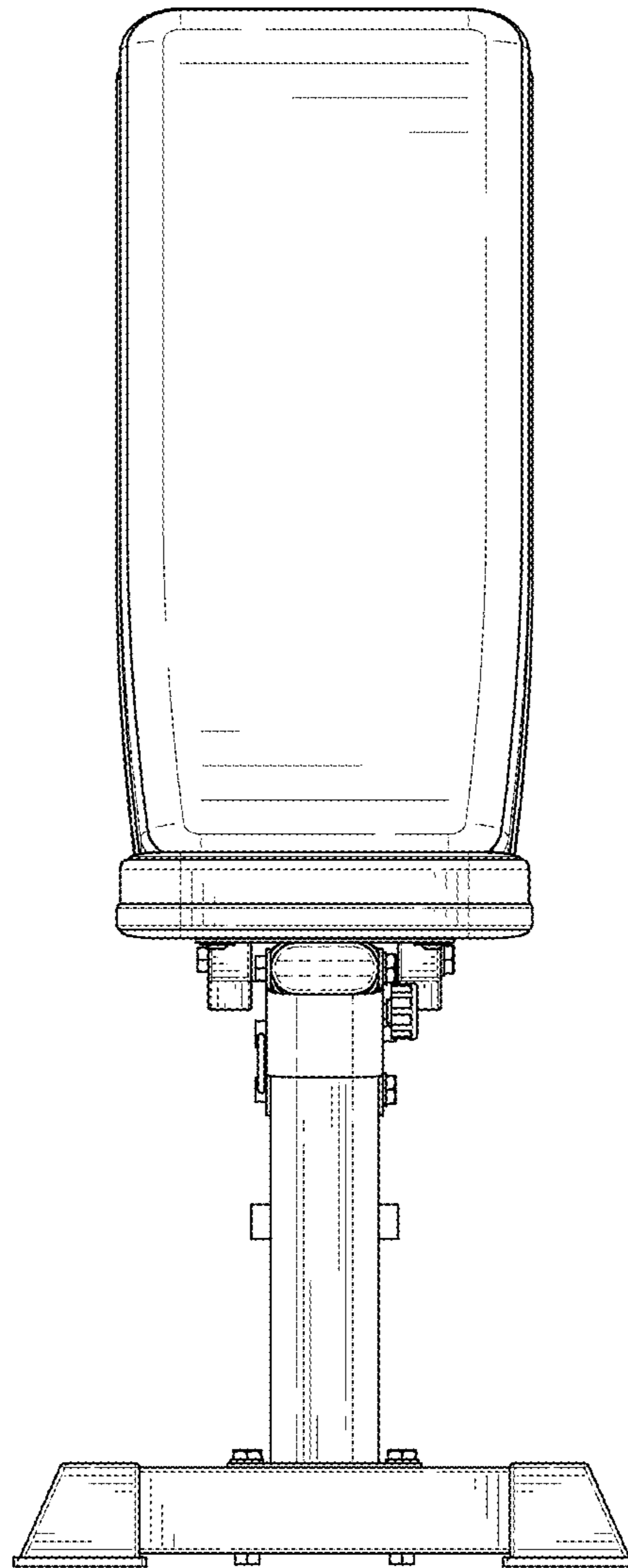


FIG. 3

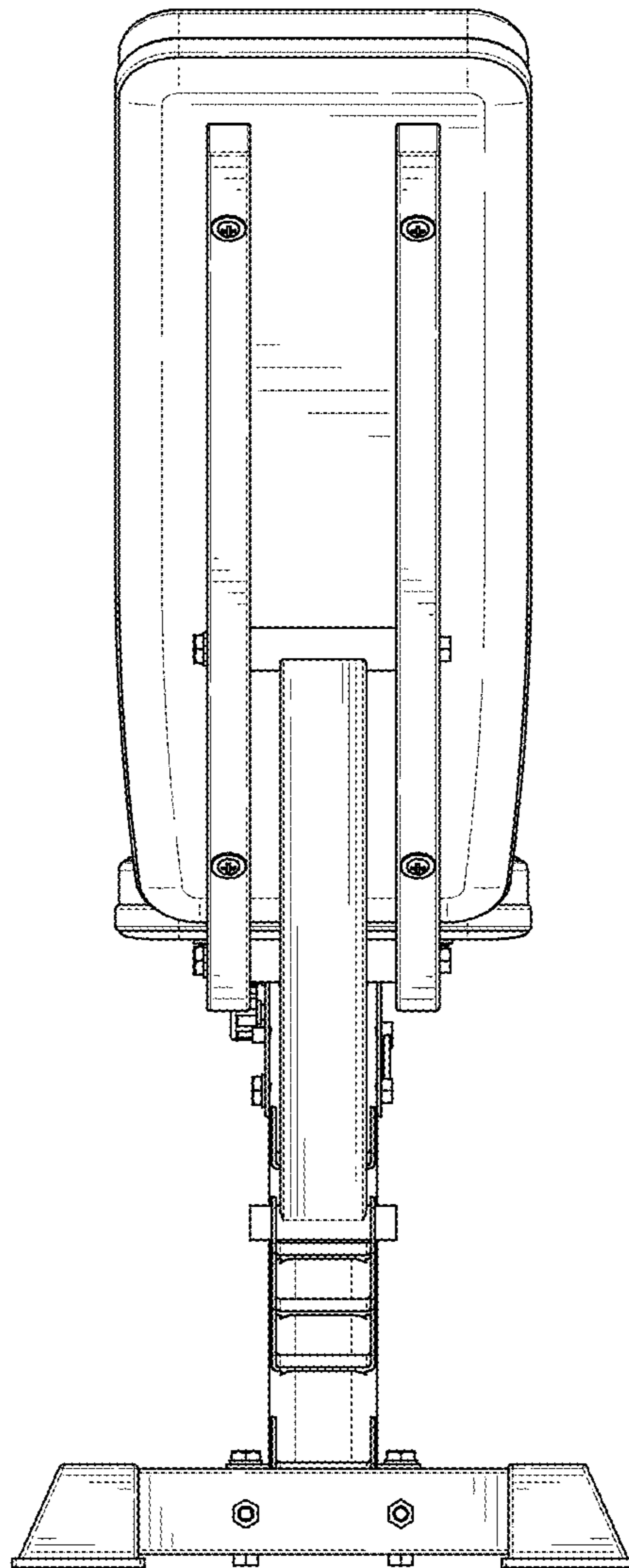


FIG. 4

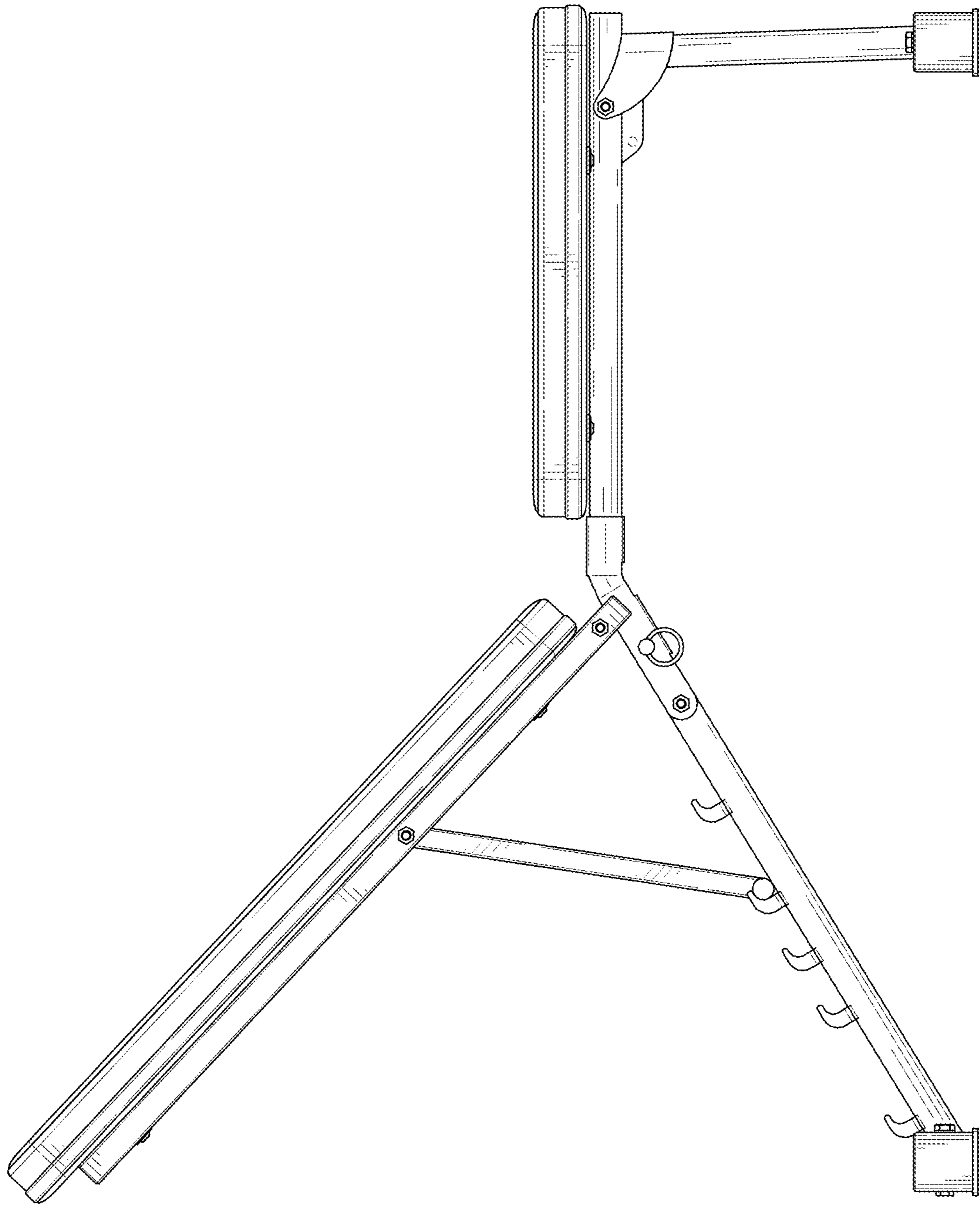


FIG. 5

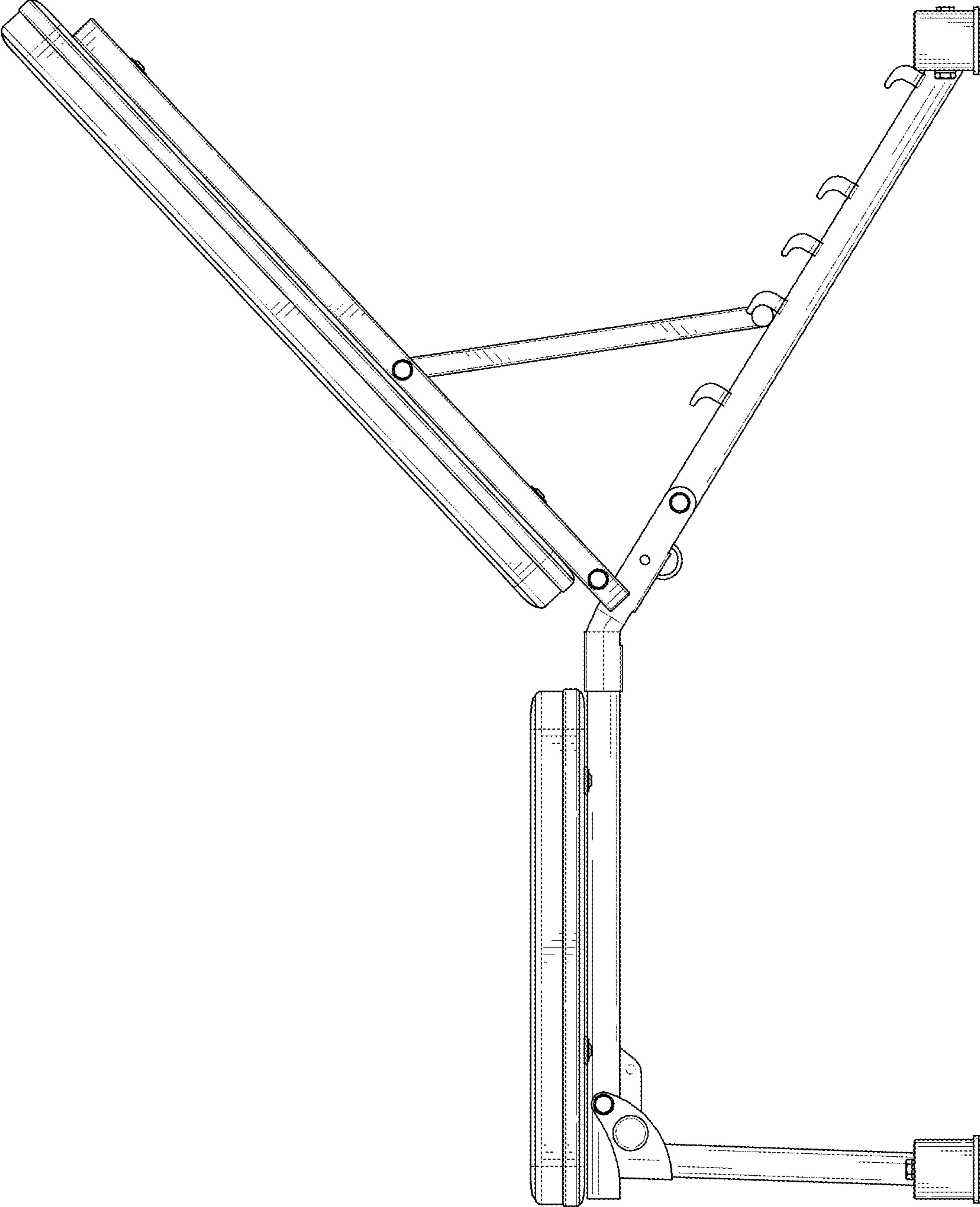


FIG. 6

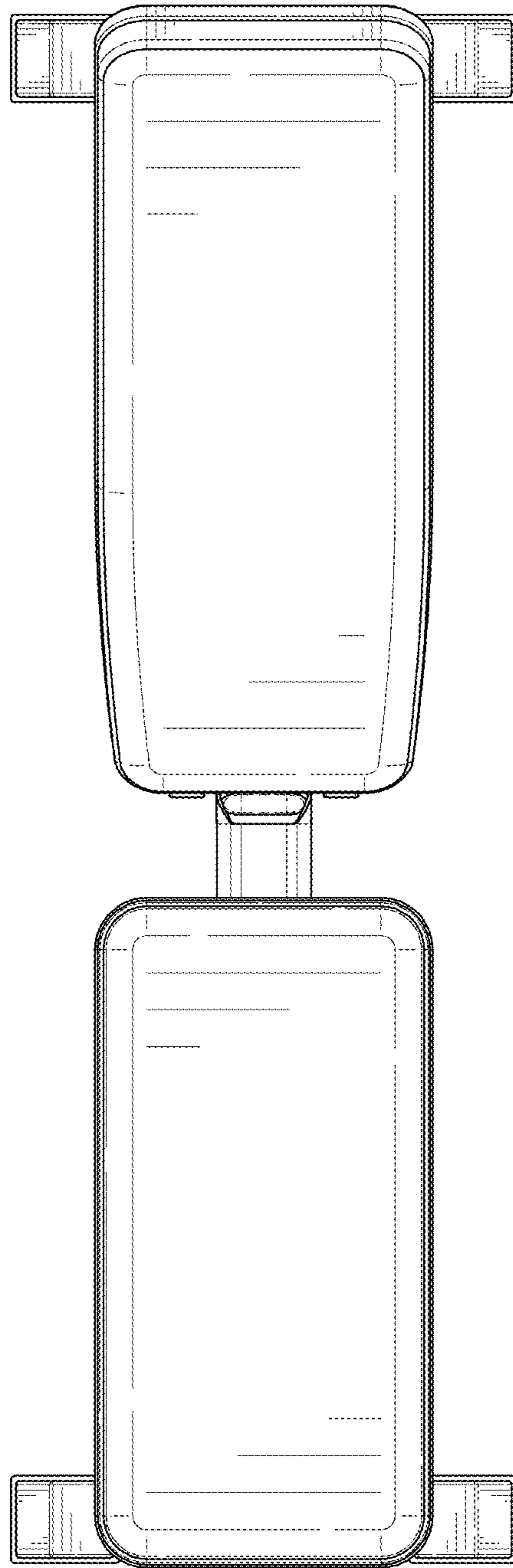


FIG. 7

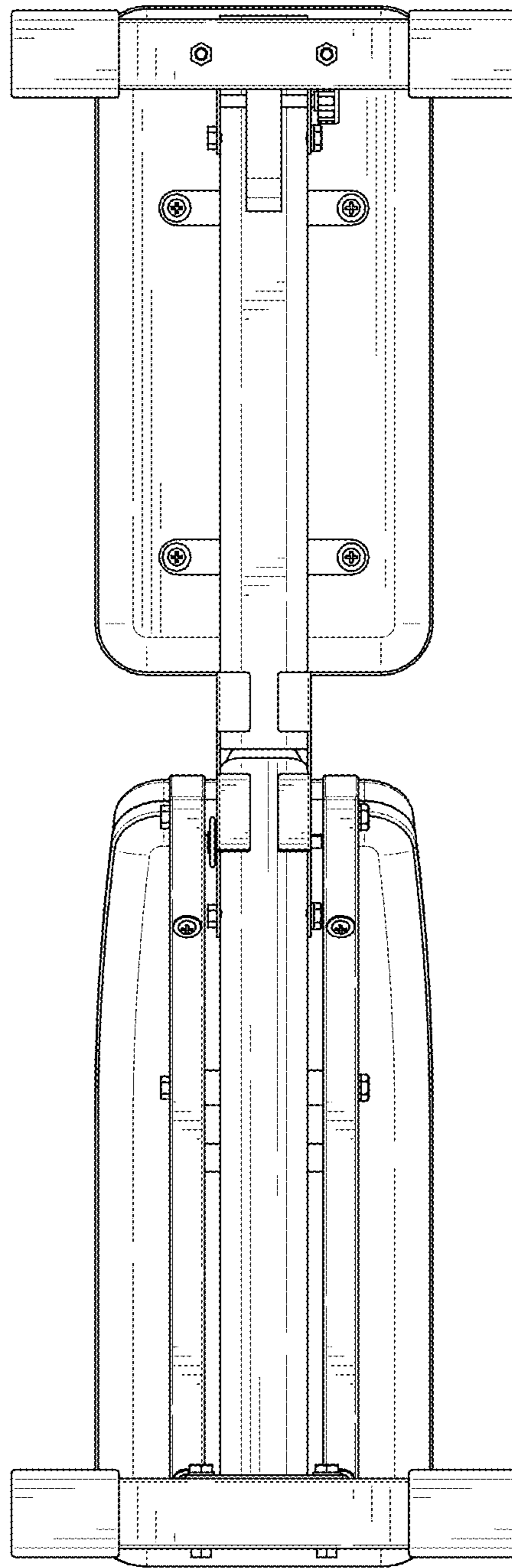


FIG. 8

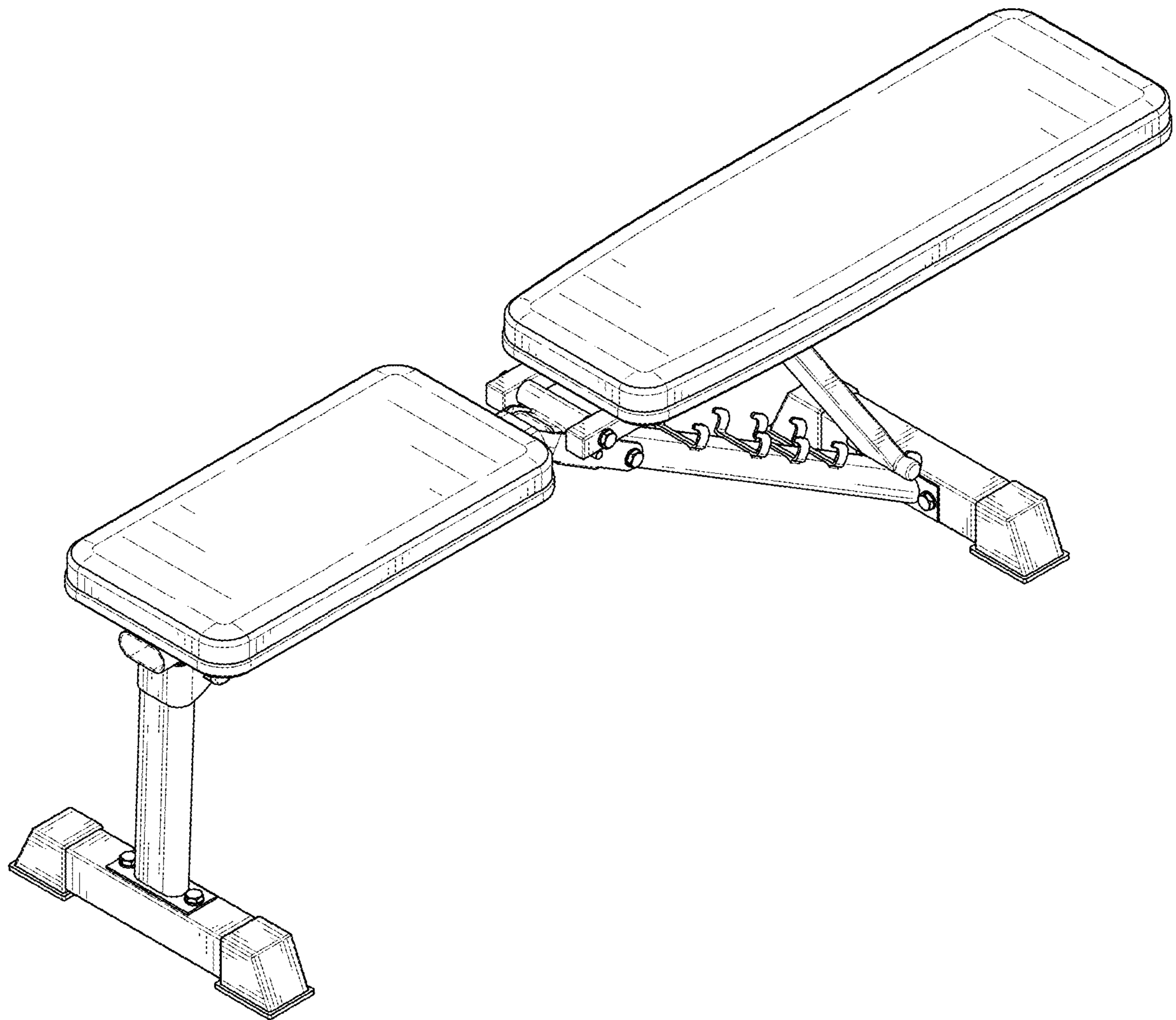


FIG. 9

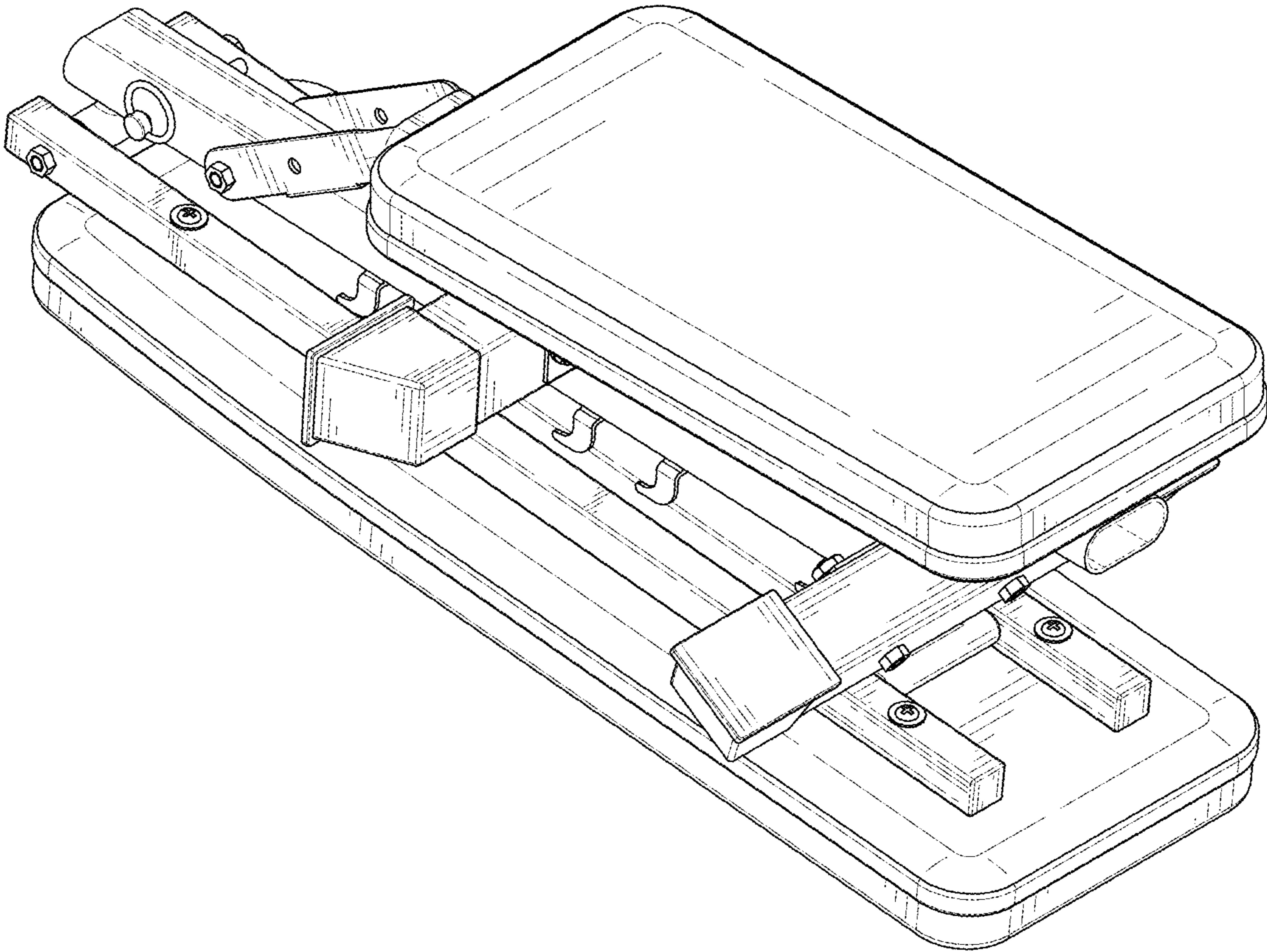


FIG. 10