



US00D934356S

(12) **United States Design Patent**
Behar et al.

(10) **Patent No.:** **US D934,356 S**
(45) **Date of Patent:** **** Oct. 26, 2021**

(54) **SHORT BAR HANDLE**
(71) Applicant: **Interactive Strength, Inc.**, Carson City, NV (US)
(72) Inventors: **Yves Albert Behar**, San Francisco, CA (US); **Trent Ward**, West Hollywood, CA (US); **William Stuart**, San Francisco, CA (US); **Andrea Locatelli**, Milan (IT); **Jón Reyrr Jóhannesson**, San Francisco, CA (US); **Karim El Katcha**, San Francisco, CA (US)

D901,276 S * 11/2020 Berberet D8/315
D909,499 S * 2/2021 Gilbert D21/679
D910,124 S * 2/2021 Jaquish D21/673
D914,113 S * 3/2021 Jaquish D21/679
2007/0197352 A1 * 8/2007 Charniga A63B 21/06
482/93
2009/0093349 A1 * 4/2009 Cooper A63B 23/03508
482/106
2009/0192027 A1 * 7/2009 Parker A63B 21/0722
482/108
2010/0227747 A1 * 9/2010 Cook A63B 21/0724
482/112

(Continued)

(73) Assignee: **Interactive Strength, Inc.**, Carson City, NV (US)

(**) Term: **15 Years**

(21) Appl. No.: **29/723,276**

(22) Filed: **Feb. 5, 2020**

(51) **LOC (13) Cl.** **21-02**

(52) **U.S. Cl.**
USPC **D21/679**

(58) **Field of Classification Search**
USPC D21/662, 679, 680, 681, 682, 684, 692,
D21/694, 725, 756, 777, 807, 673, 674
CPC A63B 21/0004; A63B 21/0724; A63B
21/075; A63B 23/12
See application file for complete search history.

(56) **References Cited**

U.S. PATENT DOCUMENTS

D583,883 S * 12/2008 Thomas D21/679
D615,605 S * 5/2010 Frasco D21/694
8,092,353 B2 * 1/2012 Yang A63B 21/4035
482/115
D723,637 S * 3/2015 Mercado D21/679
9,522,298 B2 * 12/2016 Siemer A63B 21/0724
D853,505 S * 7/2019 Toueg D21/679
D873,356 S * 1/2020 Henniger D21/681

OTHER PUBLICATIONS

Evanko straight revolving 18in, [online] [site visited Feb. 17, 2021], Available on internet, URL:https://www.amazon.com/Ivanko-Revolving-Straight-18in-RSB-18/dp/B004XMP8KS/ref=sr_1_53?dchild=1&keywords=cable+attachment+straight+bar&qid=1613661917&sr=8-53 (Year: 2016).*

Primary Examiner — Khawaja Anwar

Assistant Examiner — Julice Seung Eun Oum

(74) *Attorney, Agent, or Firm* — David R. Stevens; Stevens Law Group

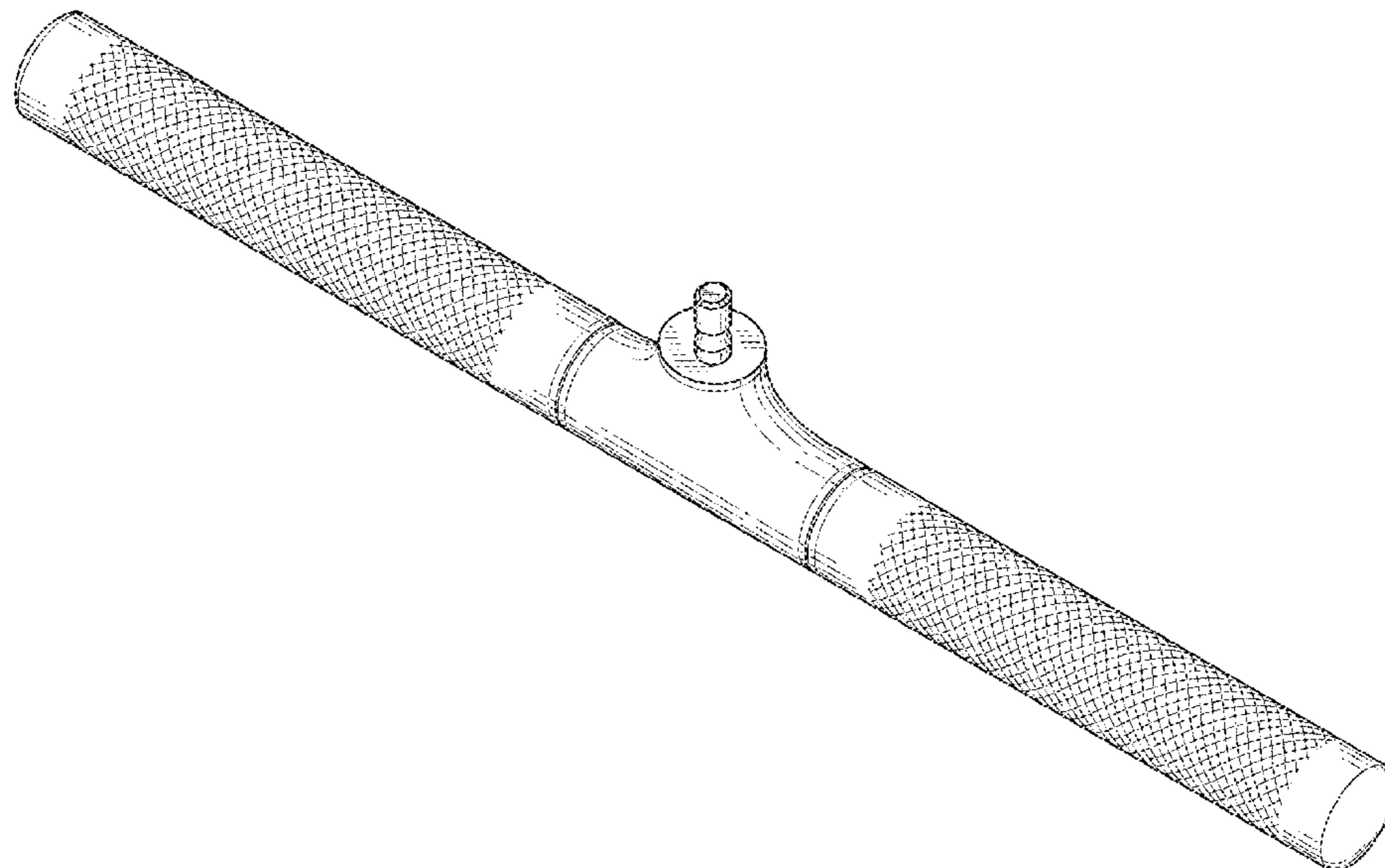
(57) **CLAIM**

The ornamental design for a short bar handle, as shown and described.

DESCRIPTION

FIG. 1 is an isometric view of a short bar handle; FIG. 2 is a front view of the short bar handle of FIG. 1; FIG. 3 is a rear view of the short bar handle of FIG. 1; FIG. 4 is a left side view of the short bar handle of FIG. 1; FIG. 5 is a right side view of the short bar handle of FIG. 1; FIG. 6 is a top view of the short bar handle of FIG. 1; and, FIG. 7 is a bottom view of the short bar handle of FIG. 1.

1 Claim, 3 Drawing Sheets



(56)

References Cited

U.S. PATENT DOCUMENTS

2014/0287889 A1* 9/2014 Grace A63B 71/0036
482/106
2016/0121159 A1* 5/2016 Rogers A63B 23/12
482/107
2017/0080274 A1* 3/2017 Dickerson A63B 23/12
2017/0216654 A1* 8/2017 Parker A63B 21/0724
2018/0236299 A1* 8/2018 Warriner A63B 21/4035
2020/0269080 A1* 8/2020 Jaquish A63B 21/0428
2021/0016128 A1* 1/2021 Aguilar Quintana
A63B 21/0728

* cited by examiner

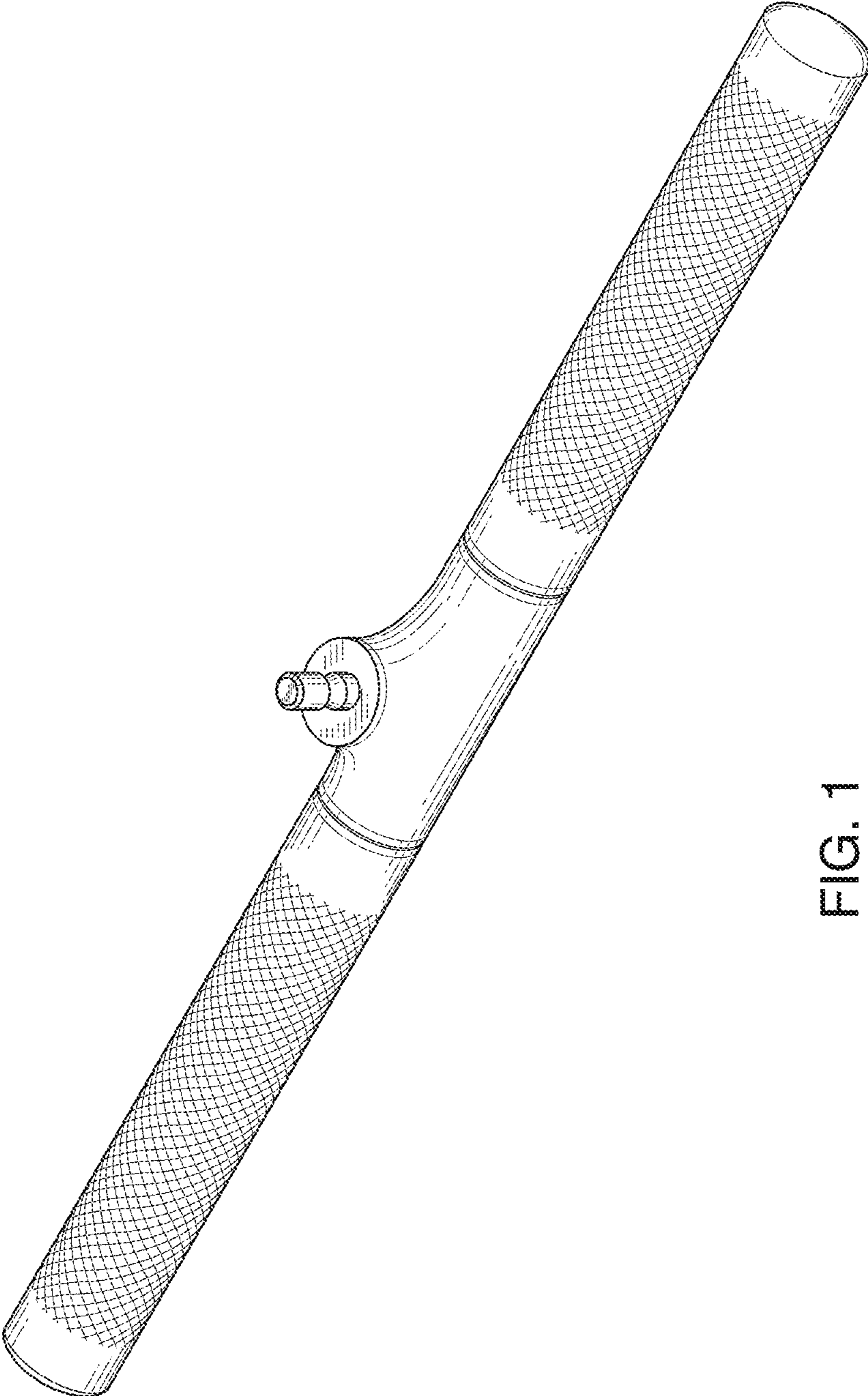


FIG. 1

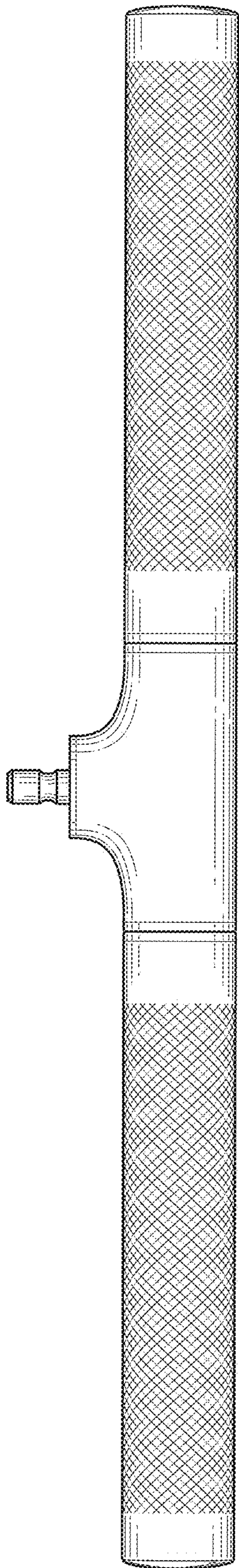


FIG. 2

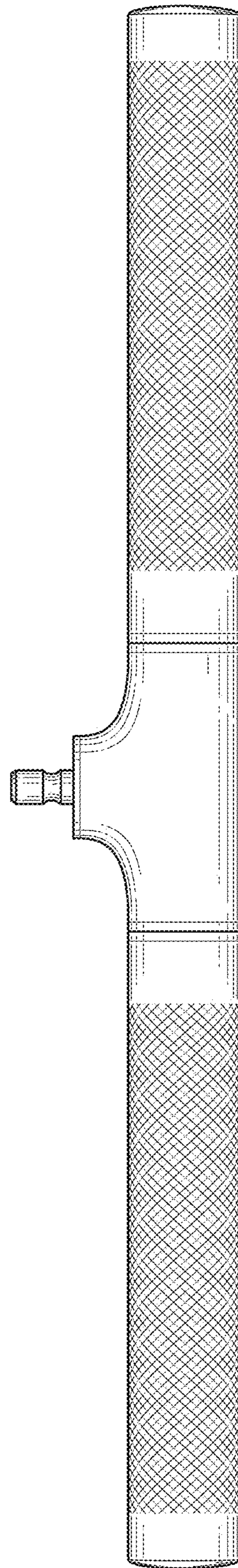


FIG. 3

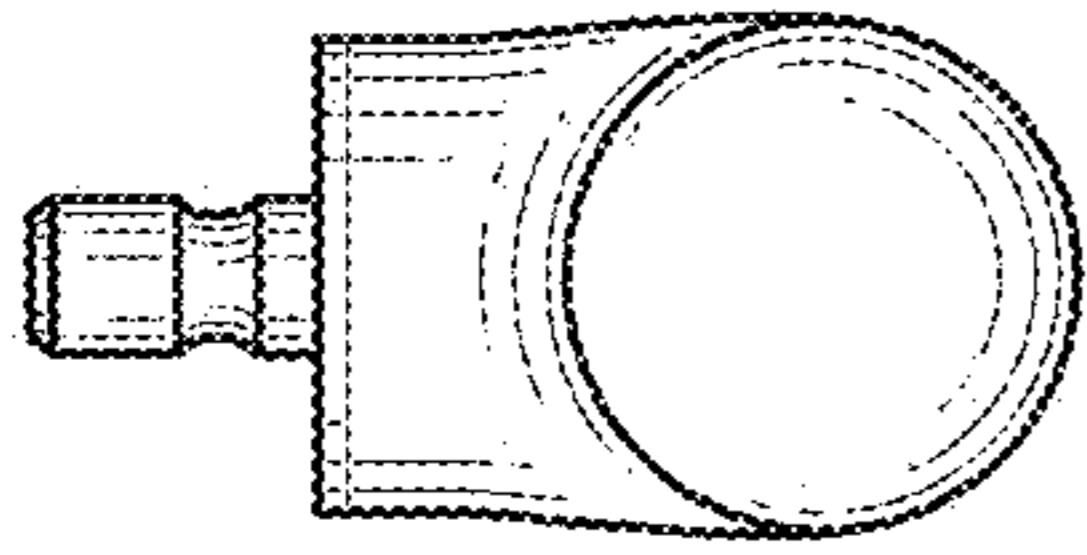


FIG. 4

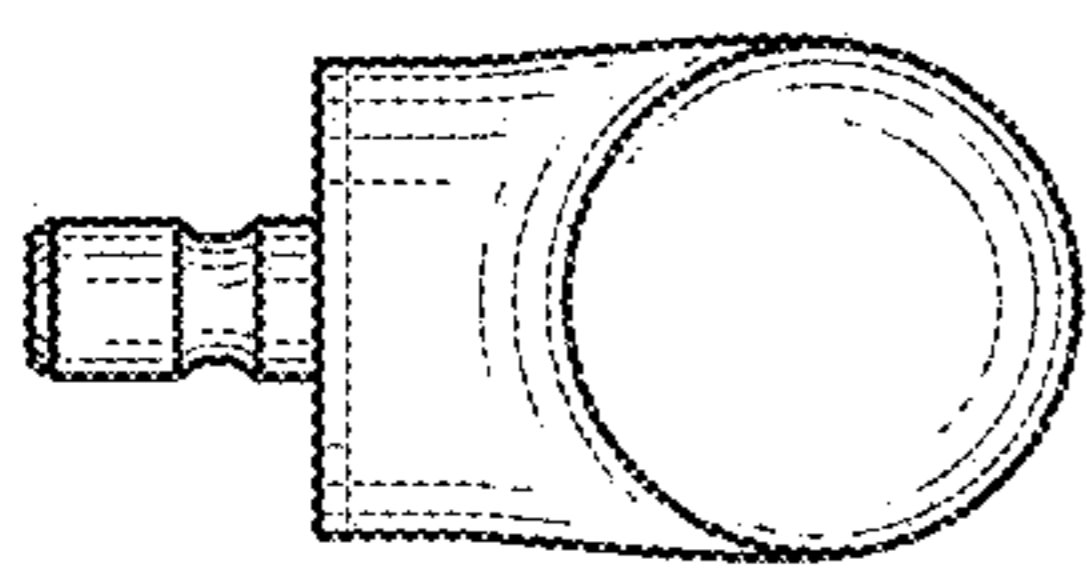


FIG. 5

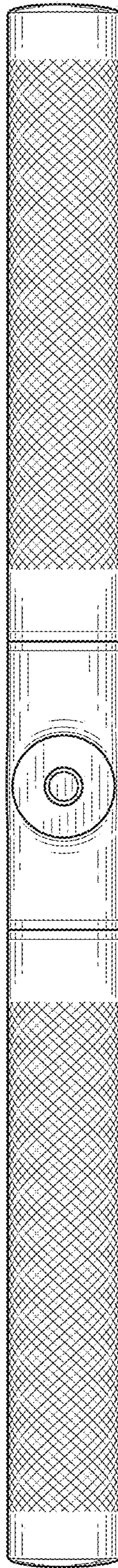


FIG. 6

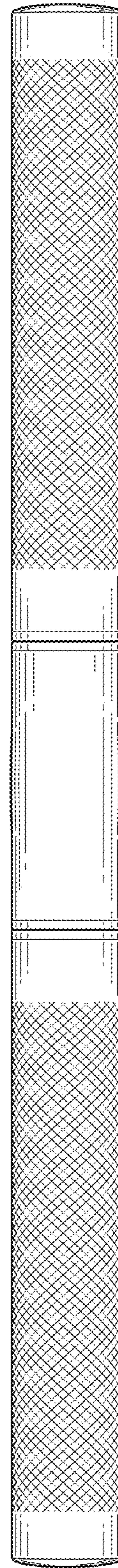


FIG. 7