



US00D934355S

(12) **United States Design Patent** (10) **Patent No.:** **US D934,355 S**  
**Behar et al.** (45) **Date of Patent:** **\*\* Oct. 26, 2021**

(54) **LONG BAR HANDLE**

- (71) Applicant: **Interactive Strength, Inc.**, Carson City, NV (US)
- (72) Inventors: **Yves Albert Behar**, San Francisco, CA (US); **Trent Ward**, West Hollywood, CA (US); **William Stuart**, San Francisco, CA (US); **Andrea Locatelli**, Milan (IT); **Jón Reyrr Jóhannesson**, San Francisco, CA (US); **Karim El Katcha**, San Francisco, CA (US)
- (73) Assignee: **Interactive Strength, Inc.**, Carson City, NV (US)

(\*\*) Term: **15 Years**

(21) Appl. No.: **29/723,270**

(22) Filed: **Feb. 5, 2020**

(51) **LOC (13) Cl.** ..... **21-02**

(52) **U.S. Cl.**  
USPC ..... **D21/679**

(58) **Field of Classification Search**  
USPC ..... D21/662, 679, 680, 681, 682, 684, 692, D21/694, 725, 756, 777, 807, 673, 674  
CPC ..... A63B 21/0004; A63B 21/0724; A63B 21/075; A63B 23/12  
See application file for complete search history.

(56) **References Cited**

**U.S. PATENT DOCUMENTS**

D583,883 S *	12/2008	Thomas	.....	D21/679
D615,605 S *	5/2010	Frasco	.....	D21/694
8,092,353 B2 *	1/2012	Yang	.....	A63B 21/4035 482/115
D723,637 S *	3/2015	Mercado	.....	D21/679
9,522,298 B2 *	12/2016	Siemer	.....	A63B 21/0724
D853,505 S *	7/2019	Toueg	.....	D21/679
D873,356 S *	1/2020	Henniger	.....	D21/681
D901,276 S *	11/2020	Berberet	.....	D8/315
D909,499 S *	2/2021	Gilbert	.....	D21/679
D910,124 S *	2/2021	Jaquish	.....	D21/673
D914,113 S *	3/2021	Jaquish	.....	D21/679

(Continued)

**OTHER PUBLICATIONS**

Fitness olympic training barbell, [online] [site visited Feb. 17, 2021], Available on internet, URL:https://www.amazon.com/Fitness-Olympic-Training-Barbell-Weightlifting/dp/B00R93GJ74/ref=sr\_1\_1?dchild=1&keywords=rage+fitness&qid=1613611619&sr=8-1 (Year: 2014).\*

*Primary Examiner* — Khawaja Anwar

*Assistant Examiner* — Julice Seung Eun Oum

(74) *Attorney, Agent, or Firm* — David R. Stevens; Stevens Law Group

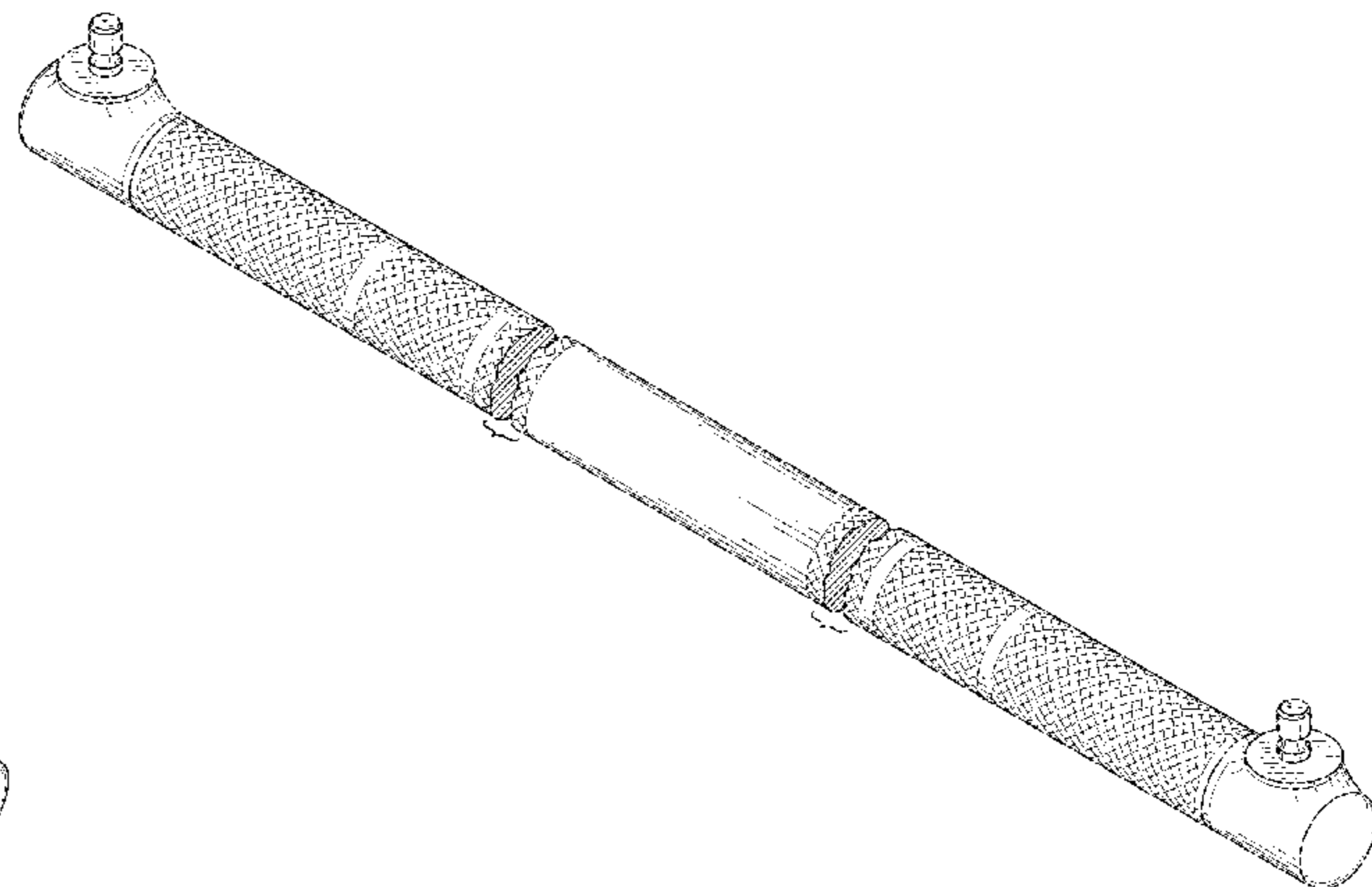
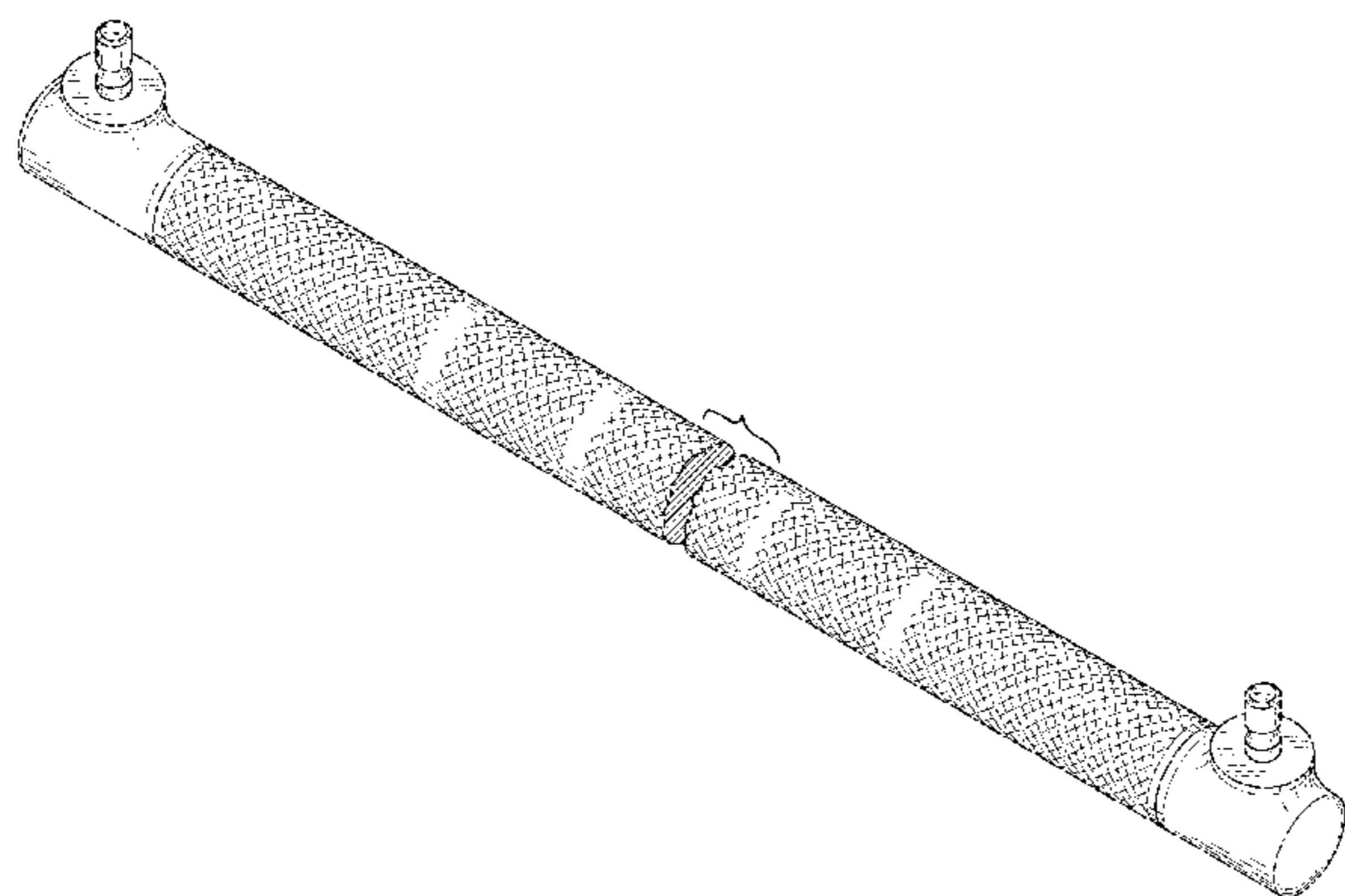
(57) **CLAIM**

The ornamental design for a long bar handle, as shown and described.

**DESCRIPTION**

FIG. 1 is an isometric view of a long bar handle with cut away portions showing my new design;  
FIG. 2 is a front view thereof;  
FIG. 3 is a rear view thereof;  
FIG. 4 is a left side view thereof;  
FIG. 5 is a right side view thereof;  
FIG. 6 is a top view thereof;  
FIG. 7 is a bottom view thereof;  
FIG. 8 is an isometric view of an alternative of long bar handle with cut away portions and center portion thereof;  
FIG. 9 is a front view thereof;  
FIG. 10 is a rear view thereof;  
FIG. 11 is a left side view thereof;  
FIG. 12 is a right side view thereof;  
FIG. 13 is a top view thereof;  
FIG. 14 is a bottom view thereof; and,  
FIG. 15 is an isometric view of the long bar handle of FIG. 8 without cutaway portions.

**1 Claim, 7 Drawing Sheets**



(56)

**References Cited**

U.S. PATENT DOCUMENTS

2007/0197352 A1\* 8/2007 Charniga ..... A63B 21/06  
482/93  
2009/0093349 A1\* 4/2009 Cooper ..... A63B 23/03508  
482/106  
2009/0192027 A1\* 7/2009 Parker ..... A63B 21/0722  
482/108  
2010/0227747 A1\* 9/2010 Cook ..... A63B 21/0724  
482/112  
2014/0287889 A1\* 9/2014 Grace ..... A63B 71/0036  
482/106  
2016/0121159 A1\* 5/2016 Rogers ..... A63B 23/12  
482/107  
2017/0080274 A1\* 3/2017 Dickerson ..... A63B 23/12  
2017/0216654 A1\* 8/2017 Parker ..... A63B 21/0724  
2018/0236299 A1\* 8/2018 Warriner ..... A63B 21/4035  
2020/0269080 A1\* 8/2020 Jaquish ..... A63B 21/0428  
2021/0016128 A1\* 1/2021 Aguilar Quintana .....  
A63B 21/0728

\* cited by examiner

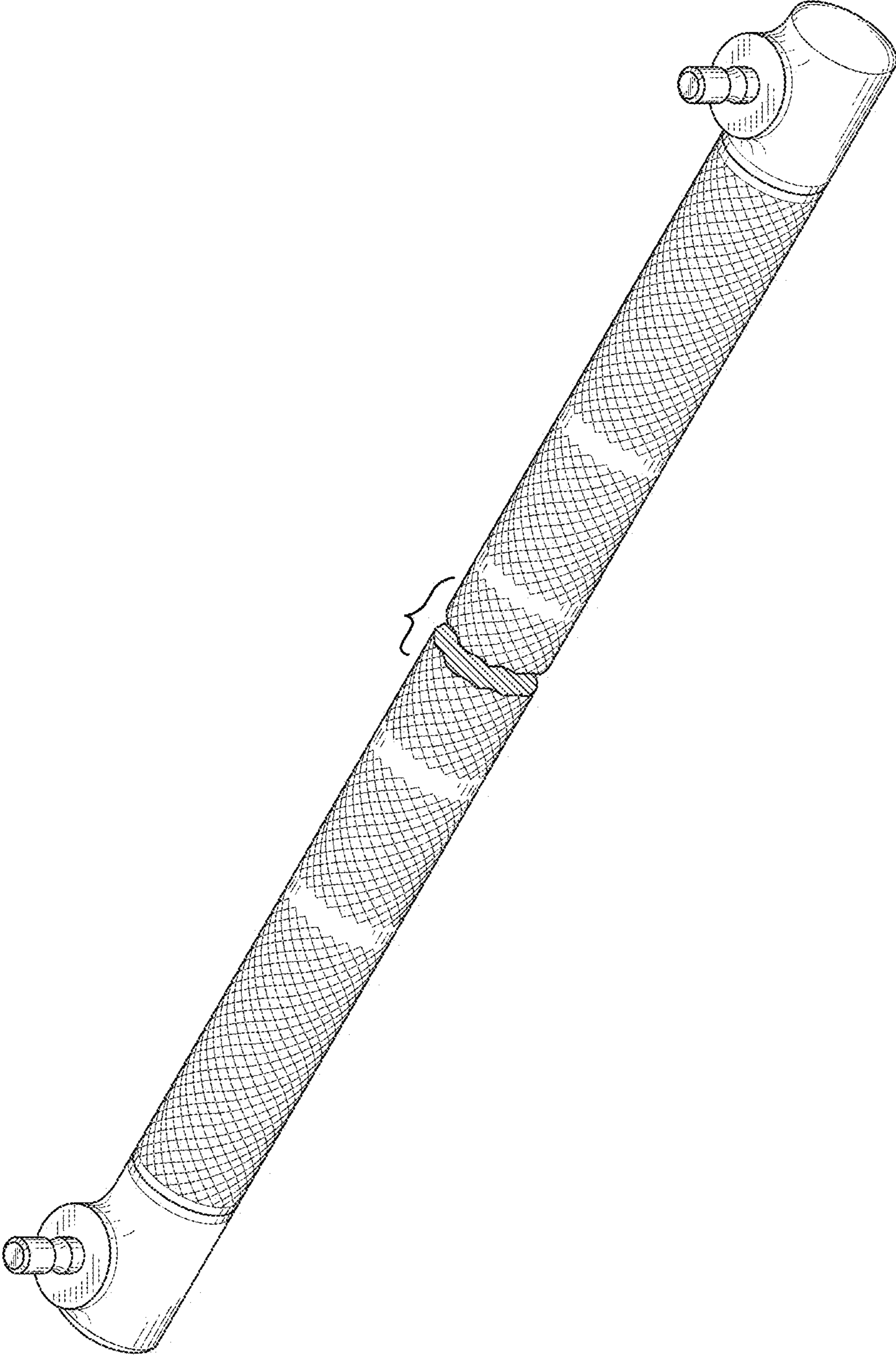


FIG. 1

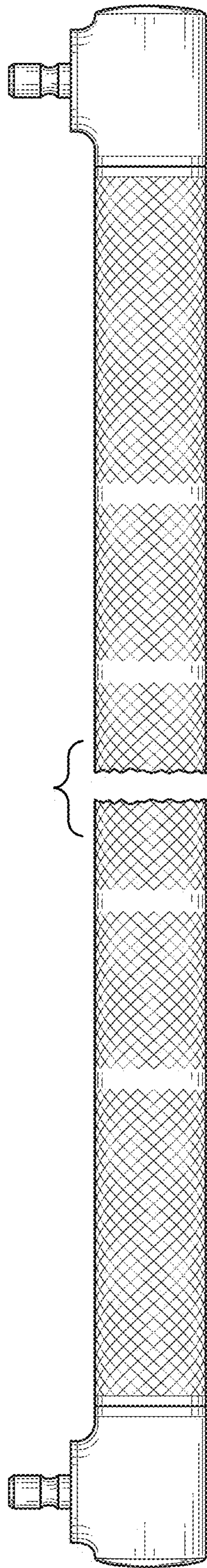


FIG. 2

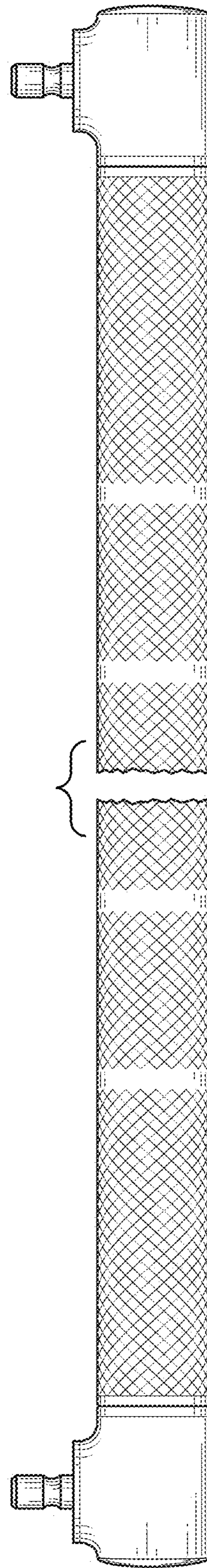


FIG. 3

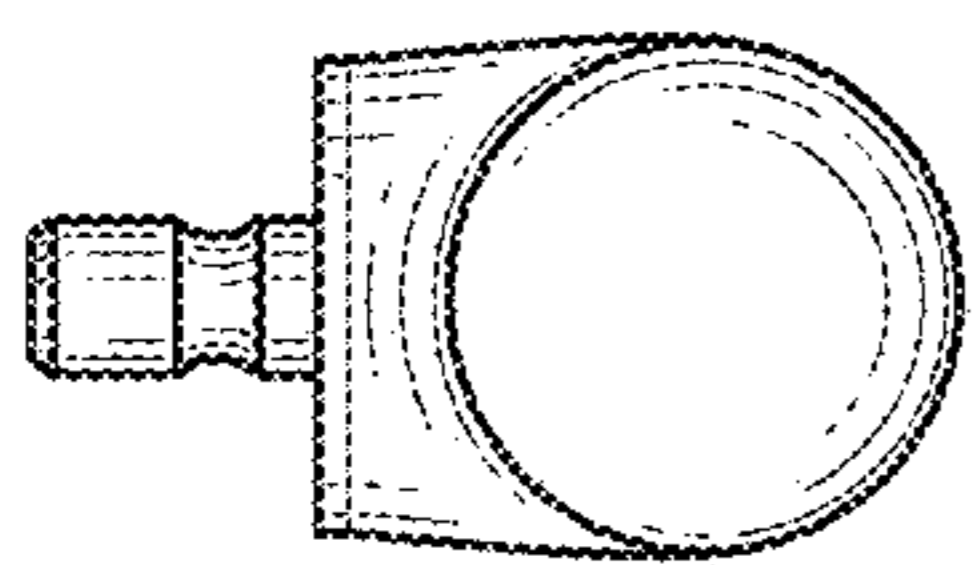
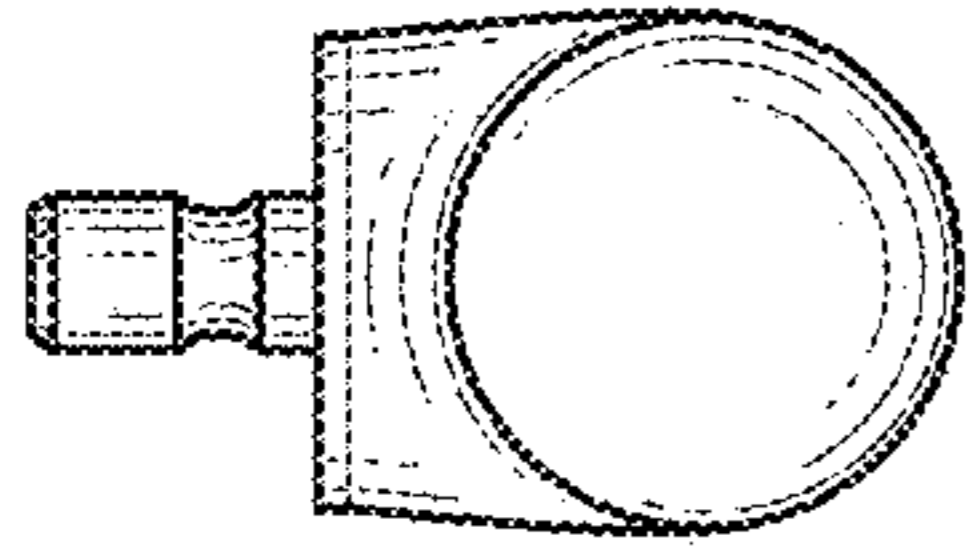


FIG. 4

FIG. 5

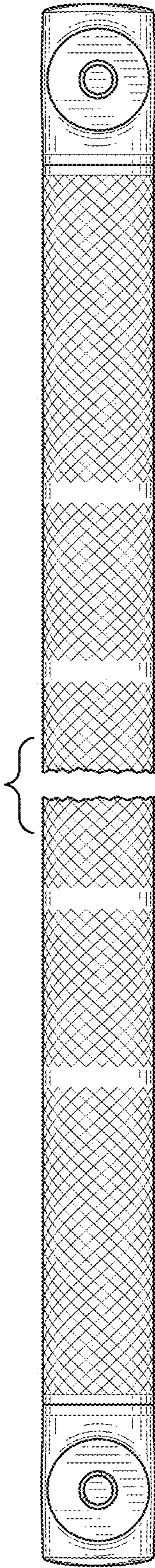


FIG. 6

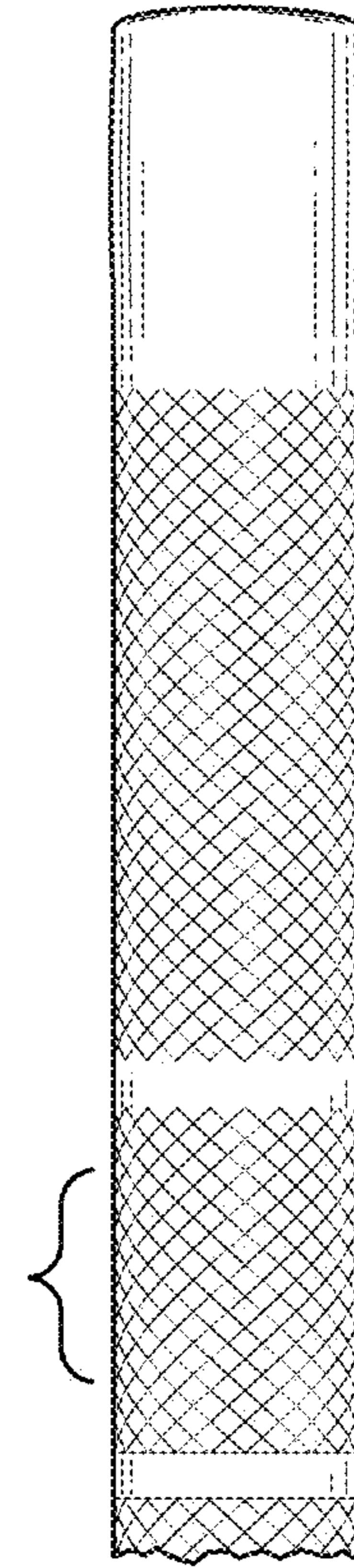
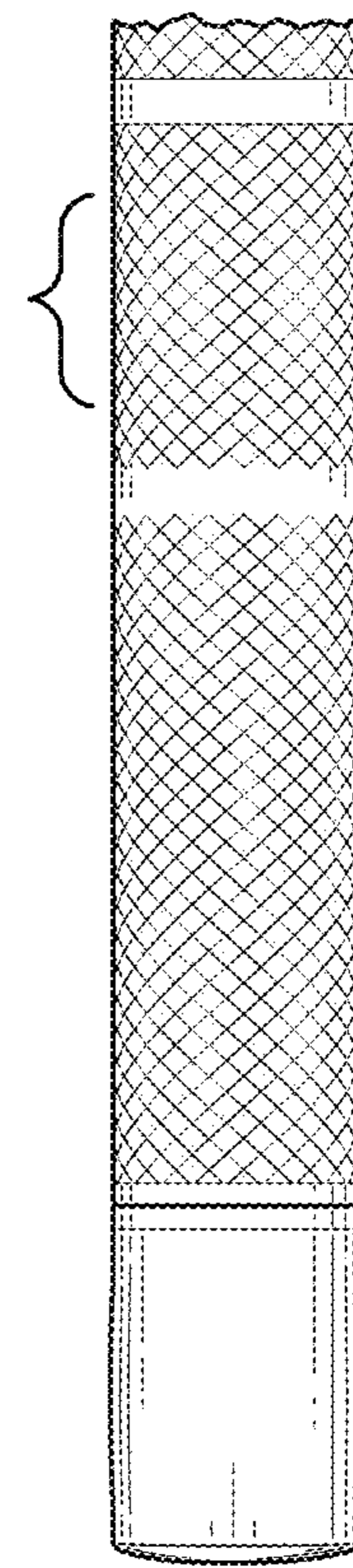


FIG. 7



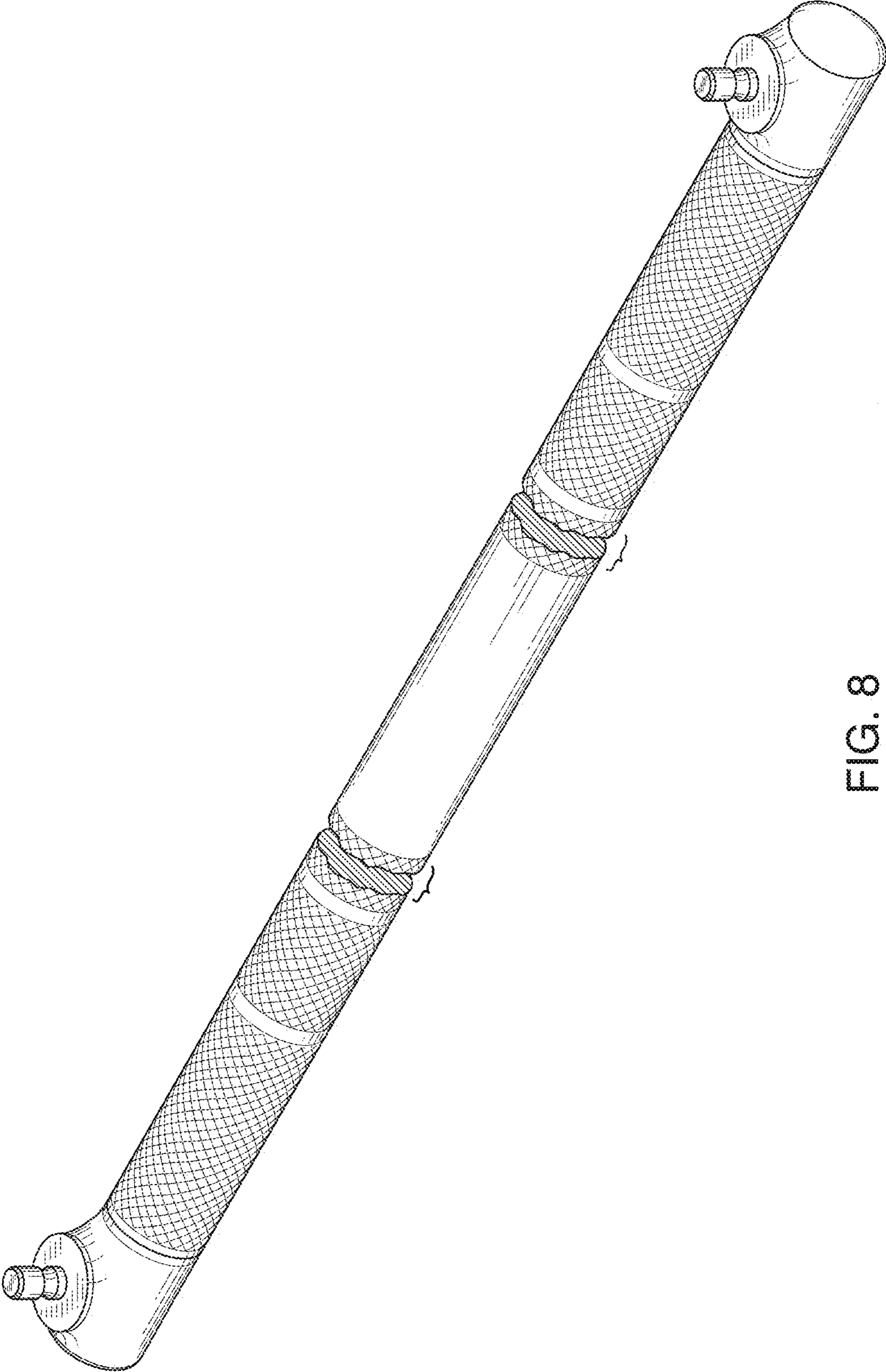


FIG. 8

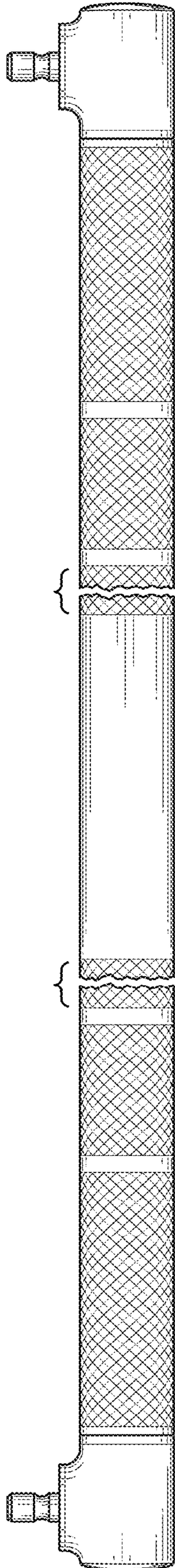


FIG. 9

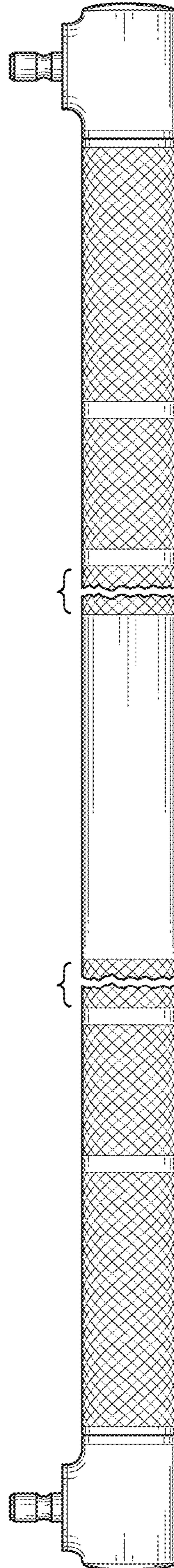


FIG. 10

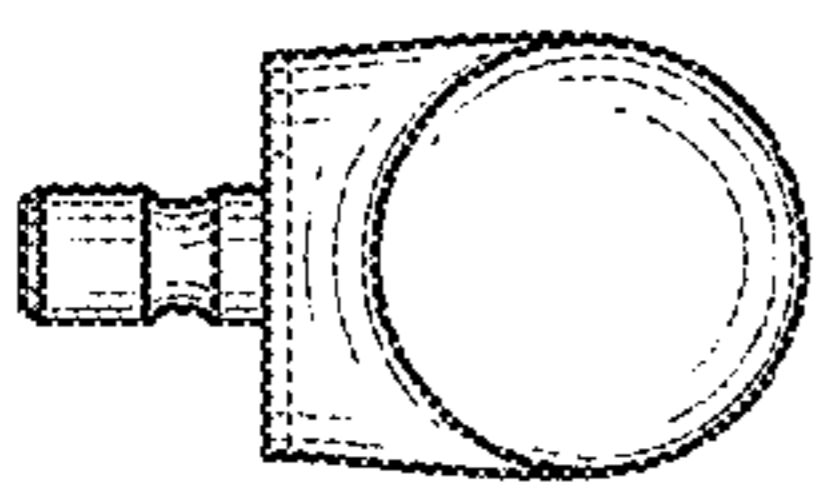


FIG. 11

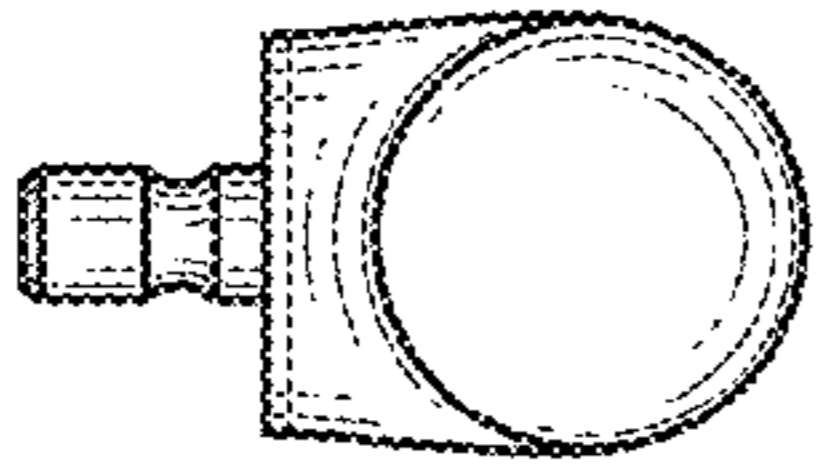


FIG. 12

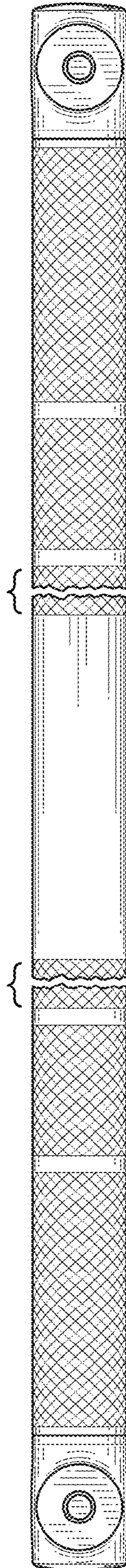


FIG. 13

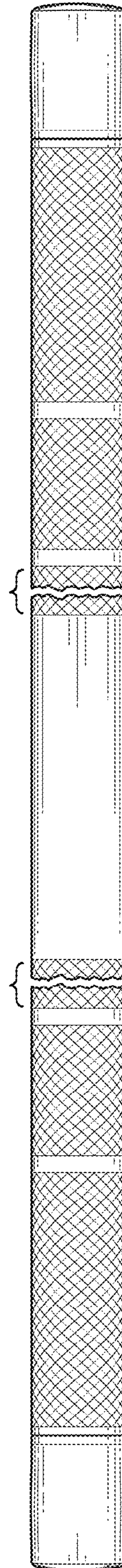


FIG. 14



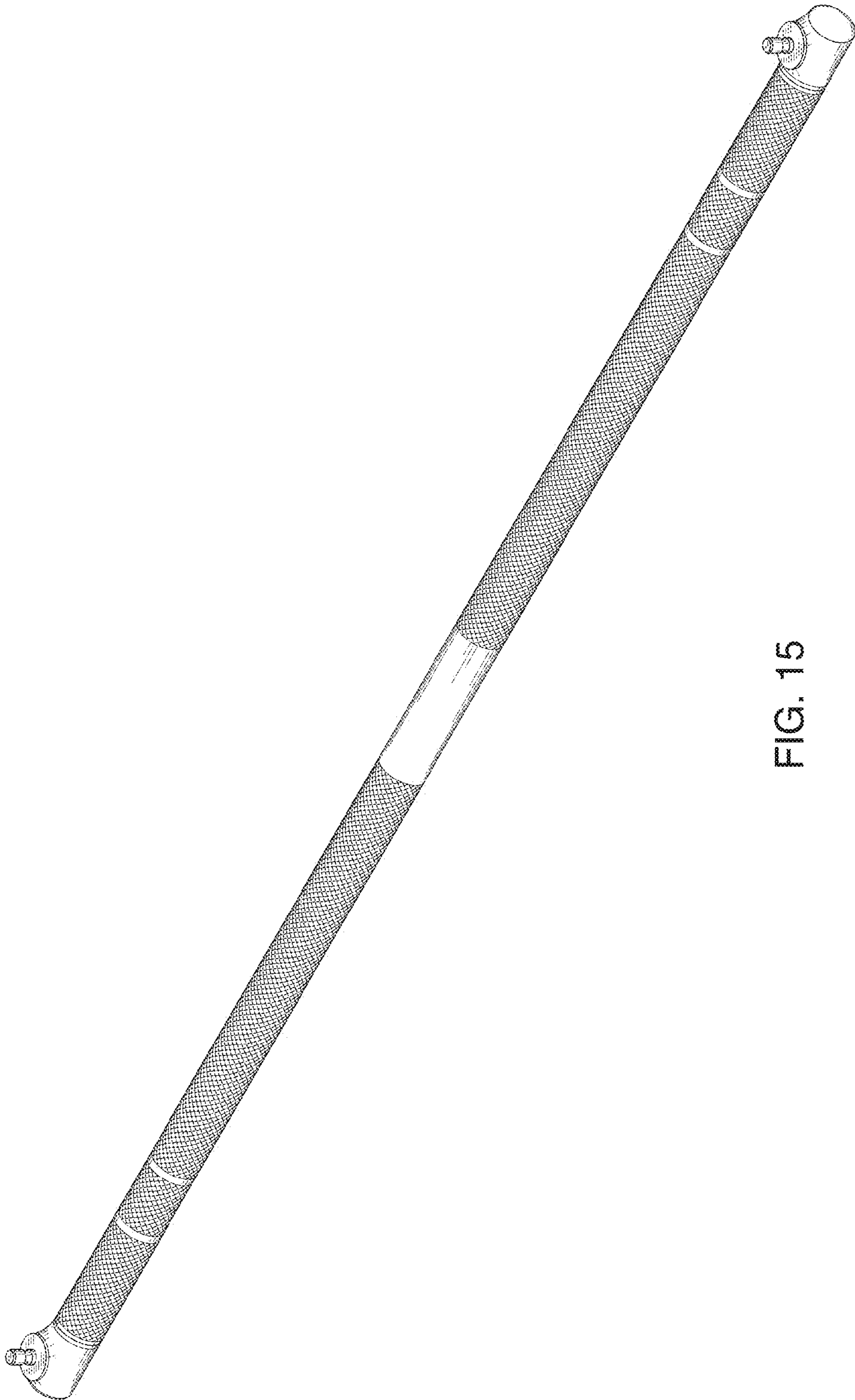


FIG. 15