



US00D934353S

(12) **United States Design Patent**
Hu et al.

(10) **Patent No.:** **US D934,353 S**

(45) **Date of Patent:** **** Oct. 26, 2021**

(54) **TREADMILL**

(71) Applicant: **Sailvan Times Co., Ltd.**, Shenzhen (CN)

(72) Inventors: **Xuebin Hu**, Shenzhen (CN); **Jiale Fang**, Shenzhen (CN)

(**) Term: **15 Years**

(21) Appl. No.: **29/751,045**

(22) Filed: **Sep. 18, 2020**

(30) **Foreign Application Priority Data**

Jul. 20, 2020 (CN) 202030394897.7

(51) **LOC (13) Cl.** **21-02**

(52) **U.S. Cl.**
USPC **D21/669**

(58) **Field of Classification Search**
USPC 482/54, 2, 51, 8, 70, 146; D21/668, 669; 198/439, 456; D30/160; 601/35, 23, 5, 601/34
CPC . A63B 22/02; A63B 22/0023; A63B 22/0235; A63B 2210/50; A63B 22/0285; A63B 22/0242; A63B 2022/025; A63B 2225/30; A63B 2022/0214; A63B 2220/13; A63B 2022/0228; A63B 2210/56; A63B 2024/0093; A63B 2022/0207; A63B 22/0012; A63B 22/0257; A61H 3/008; A61H 1/0262; A61H 2201/164; A01K 15/027

See application file for complete search history.

(56) **References Cited**

U.S. PATENT DOCUMENTS

4,151,988 A * 5/1979 Nabinger A63B 22/02 188/72.9
D280,002 S * 8/1985 Smith D21/669
4,614,336 A * 9/1986 Taitel A63B 21/015 482/54

4,757,987 A * 7/1988 Allemand A63B 22/02 482/54
4,776,582 A * 10/1988 Ramhorst A63B 22/0023 482/54
D303,557 S * 9/1989 Kiiski D21/669
(Continued)

OTHER PUBLICATIONS

Ancheer by Ancheer dated Jan. 8, 2020. Found online [Feb. 25, 2021] https://www.amazon.com/ANCHEER-Treadmill-Electric-Exercise-Bluetooth/dp/B0832MCG2P/ref=cm_cr_ar_p_d_product_top?ie=UTF8 (Year: 2020).*

(Continued)

Primary Examiner — Ryan Harvey

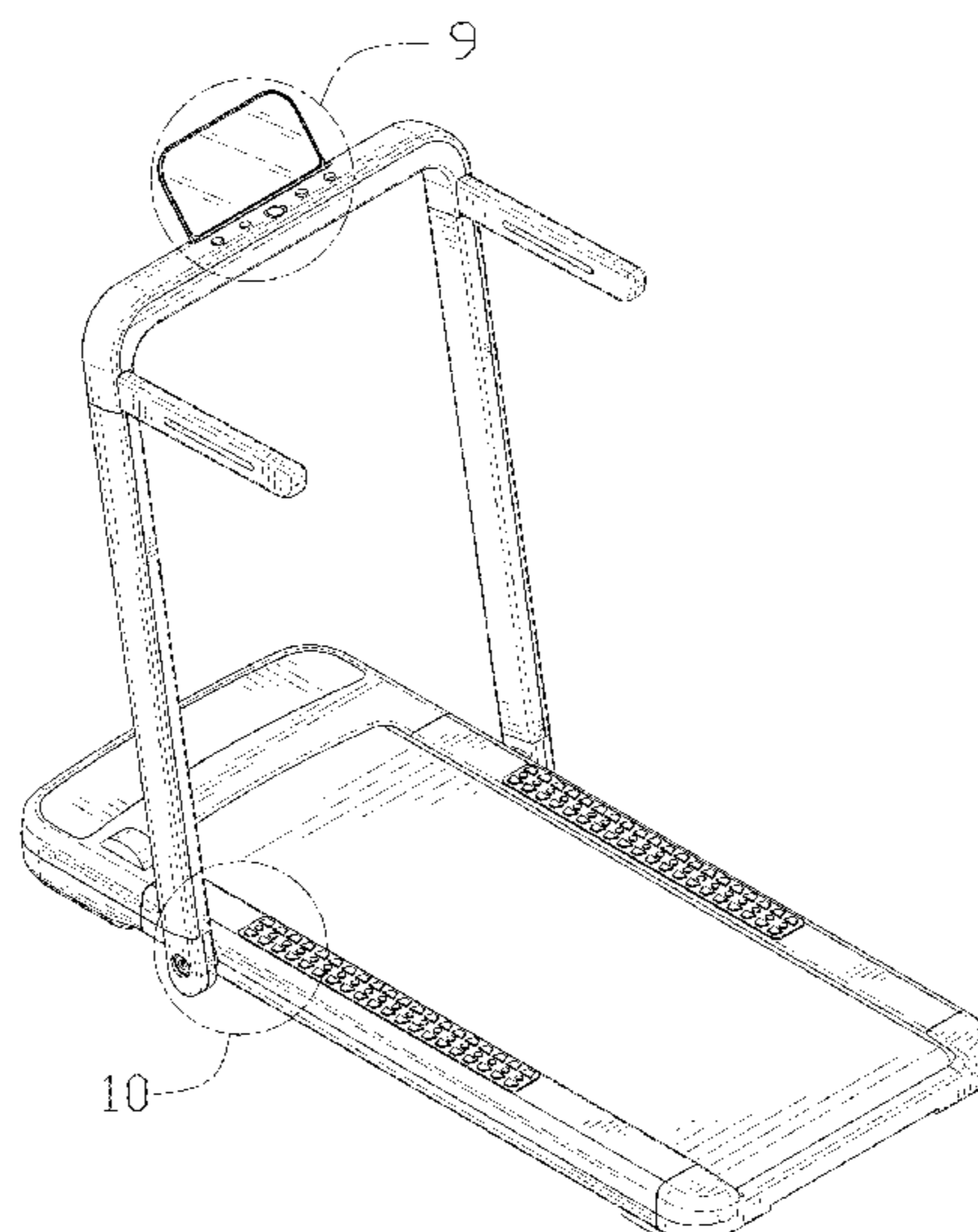
(57) **CLAIM**

The ornamental design for a treadmill, as shown and described.

DESCRIPTION

FIG. 1 is a front and top perspective view of a treadmill, showing our new design;
FIG. 2 is a rear and bottom perspective view thereof;
FIG. 3 is a front elevational view thereof;
FIG. 4 is a rear elevational view thereof;
FIG. 5 is a left side elevational view thereof;
FIG. 6 is a right side elevational view thereof;
FIG. 7 is a top plan view thereof;
FIG. 8 is a bottom plan view thereof;
FIG. 9 is an enlarged view of a portion indicated with numeric 9, in FIG. 1; and,
FIG. 10 is an enlarged view of a portion indicated with numeric 10, in FIG. 1.
The dashed broken lines in the figures illustrate portions of the article that form no part of the claimed design. The dash dot dash lines in FIGS. 1, 9 and 10 are for the purpose of depicting the cut line of the enlarged view and form no part of the claim.

1 Claim, 10 Drawing Sheets



(56)

References Cited

U.S. PATENT DOCUMENTS

D304,849 S *	11/1989	Watterson	D21/669	7,828,699 B2 *	11/2010	P'erez De Lazarraga	A63B 22/02 482/54
D306,468 S *	3/1990	Watterson	D21/669	D657,833 S	4/2012	Cloutier	
D306,891 S *	3/1990	Watterson	D21/669	D690,782 S *	10/2013	Perkins	D21/669
5,018,722 A *	5/1991	Whitmore	A63B 22/02 482/54	D704,778 S *	5/2014	Decommer	D21/669
5,029,801 A *	7/1991	Dalebout	A63B 22/0023 248/649	D707,763 S *	6/2014	Cutler	D21/669
D325,951 S *	5/1992	Johnson	D21/669	9,138,615 B2 *	9/2015	Olson	A63B 22/0023
D344,557 S *	2/1994	Ashby	482/54	D751,156 S *	3/2016	Tasca	D21/669
D348,494 S *	7/1994	Ashby	D21/694	9,364,706 B2 *	6/2016	Lo	A63B 22/00
5,378,213 A *	1/1995	Quint	A63B 22/02 198/849	D831,131 S *	10/2018	Zha	D21/669
D355,227 S *	2/1995	Summers	D21/669	D854,101 S *	7/2019	Kruse	D21/669
D369,843 S *	5/1996	Wang	D21/669	D859,543 S *	9/2019	Lisi	D21/669
D374,260 S *	10/1996	Snyderman	D21/669	D888,845 S *	6/2020	Luo	D21/669
5,607,375 A *	3/1997	Dalebout	A63B 22/0023 482/51	D889,569 S *	7/2020	Luo	D21/669
5,643,144 A *	7/1997	Trulaske	A63B 22/02 198/841	D907,722 S *	1/2021	Fang	D21/669
5,711,745 A *	1/1998	Yang	A63B 22/02 482/51	D908,817 S *	1/2021	Wang	D21/669
D393,297 S *	4/1998	McBride	D21/669	2001/0049323 A1 *	12/2001	Fox	A63B 22/0023 482/54
5,746,682 A *	5/1998	Hung	A63B 22/02 482/51	2003/0060331 A1 *	3/2003	Polk, III	A63B 22/0235 482/20
5,816,981 A *	10/1998	Hung	A63B 22/02 482/54	2004/0132586 A1 *	7/2004	Leighton	A63B 22/0207 482/54
5,904,637 A *	5/1999	Kuo	A63B 22/02 482/54	2005/0130807 A1 *	6/2005	Cutler	A63B 22/0023 482/54
D413,366 S *	8/1999	Husted	D21/668	2006/0122037 A1 *	6/2006	Chou Lin	A63B 22/0235 482/54
D414,518 S *	9/1999	Wang	D21/669	2006/0122038 A1 *	6/2006	Chou Lin	A63B 22/0235 482/54
D416,298 S *	11/1999	Onuma	D21/669	2006/0160665 A1 *	7/2006	Tai	A63B 22/0023 482/54
6,042,514 A *	3/2000	Abelbeck	A63B 22/02 198/439	2008/0176719 A1 *	7/2008	To	A63B 22/0235 482/54
D424,137 S *	5/2000	Barker	D21/669	2009/0005224 A1 *	1/2009	Davis	A63B 22/02 482/54
6,179,753 B1 *	1/2001	Barker	A63B 22/0235 482/51	2009/0042698 A1 *	2/2009	Wang	A63B 22/02 482/54
6,234,937 B1 *	5/2001	Yu	A63B 22/02 482/54	2009/0111666 A1 *	4/2009	Wang	A63B 22/0235 482/54
6,302,826 B1 *	10/2001	Lee	A63B 22/02 482/51	2009/0170666 A1 *	7/2009	Chiang	A63B 22/02 482/54
6,390,955 B1 *	5/2002	Wang	A63B 22/02 482/54	2011/0021323 A1 *	1/2011	Wu	A63B 22/0235 482/54
6,394,933 B1 *	5/2002	Yu	A63B 22/02 482/54	2011/0306472 A1 *	12/2011	Wang	A63B 22/0235 482/54
D458,654 S *	6/2002	Kiiski	D21/669	2012/0270704 A1 *	10/2012	Wang	A63B 22/0214 482/54
D464,690 S *	10/2002	San-Ching	D21/669	2012/0283070 A1 *	11/2012	Lai	A63B 22/02 482/54
D465,250 S *	11/2002	San-Ching	D21/669	2013/0184125 A1 *	7/2013	Maguire	A63B 21/225 482/54
6,527,678 B1 *	3/2003	Wang	A63B 22/0235 482/51	2013/0231219 A1 *	9/2013	Huang	A63B 22/0023 482/54
D484,554 S *	12/2003	Hellman, Jr.	D21/669	2013/0237381 A1 *	9/2013	Chen	A63B 22/02 482/54
6,663,540 B1 *	12/2003	Huang	A63B 22/02 482/54	2014/0066263 A1 *	3/2014	Huang	A63B 24/0087 482/54
6,685,599 B2 *	2/2004	Wang	A63B 22/02 482/54	2014/0076206 A1 *	3/2014	McCabe	A47B 57/30 108/5
6,761,669 B1 *	7/2004	Pan	A63B 22/02 482/51	2014/0113770 A1 *	4/2014	Yim	A63B 22/0023 482/8
D494,234 S *	8/2004	Sporie	D21/669	2014/0121066 A1 *	5/2014	Huang	A63B 22/02 482/54
6,786,853 B2 *	9/2004	Wu	A63B 22/0257 482/54	2014/0221167 A1 *	8/2014	Wu	A63B 22/0235 482/54
D500,348 S *	12/2004	Parise	D21/669	2014/0274579 A1 *	9/2014	Olson	A63B 22/0023 482/54
6,860,838 B2 *	3/2005	Fox	A63B 22/0235 193/35 J	2016/0096064 A1 *	4/2016	Gatti	A63B 22/02 482/54
6,884,201 B2 *	4/2005	Wu	A63B 22/0023 482/54	2016/0279465 A1 *	9/2016	Chang	A63B 22/02
6,887,185 B1 *	5/2005	Kuo	A63B 22/02 482/54	2016/0287930 A1 *	10/2016	Moser	A63B 22/0207
7,367,926 B2 *	5/2008	Clark	A63B 22/0235 482/54	2016/0346618 A1 *	12/2016	Ashby	G09B 19/0038
D607,067 S *	12/2009	Wu	D21/669	2017/0113093 A1 *	4/2017	Bellavista	A63B 22/0023
7,815,550 B2 *	10/2010	Watterson	A63B 22/02 482/54	2017/0333747 A1 *	11/2017	Athey	A63B 21/15
				2017/0333751 A1 *	11/2017	Seol	A63B 24/0062
				2018/0043207 A1 *	2/2018	Moser	A63B 22/0207
				2018/0056132 A1 *	3/2018	Foley	A63B 71/0622

(56)

References Cited

U.S. PATENT DOCUMENTS

2018/0126249 A1* 5/2018 Consiglio A63B 3/00
2018/0140903 A1* 5/2018 Poure A63B 24/0087
2018/0361194 A1* 12/2018 Corbalis A63B 22/0221
2019/0192952 A1* 6/2019 Powell A63B 71/0686
2019/0290956 A1* 9/2019 Ren A63B 22/0235

OTHER PUBLICATIONS

Maxoffer by Sears dated Aug. 18, 2020. Found online [Feb. 25, 2021] <https://www.sears.com/nicebuy-mini-folding-electric-running-training-fitness-treadmill/p-SPM10557246108?rec=true> (Year: 2020).*

Generic 2in 1 by Sears dated no date given. Found online [Feb. 25, 2021] <https://www.sears.com/valuable-sl00009868-home-child-hammock-chair-kids-swing/p-A088939490> (Year: 2021).*

* cited by examiner

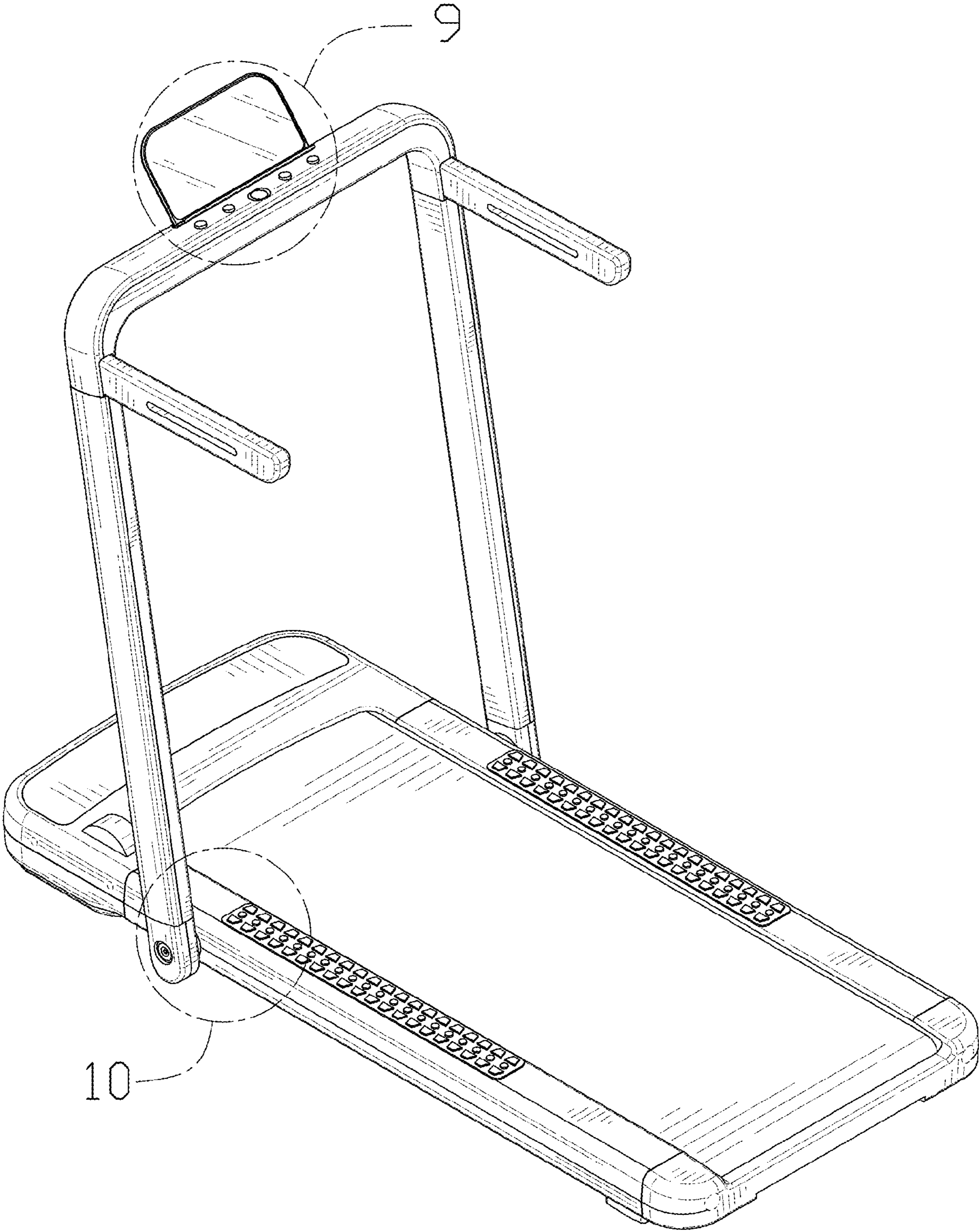


FIG. 1

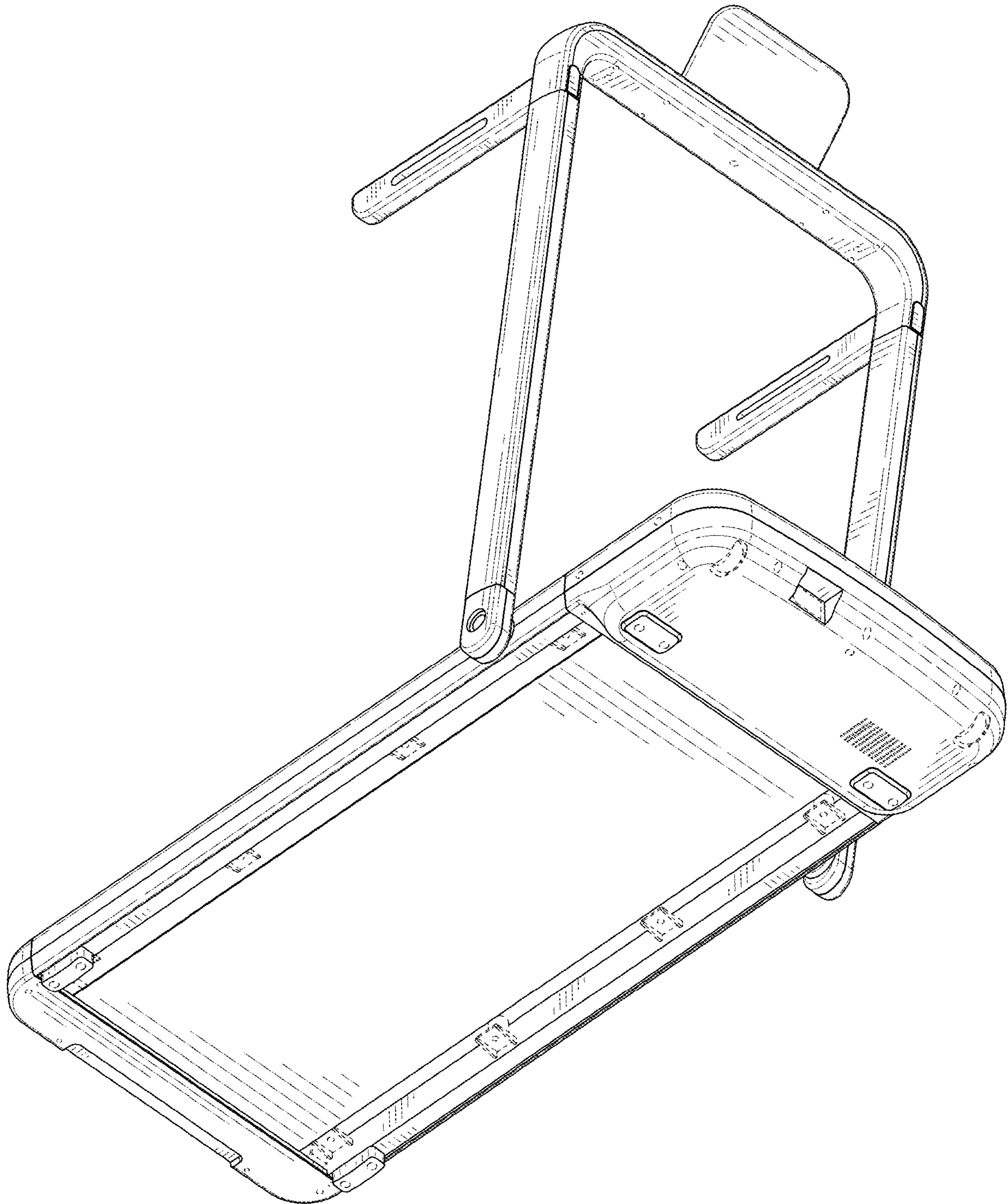


FIG. 2

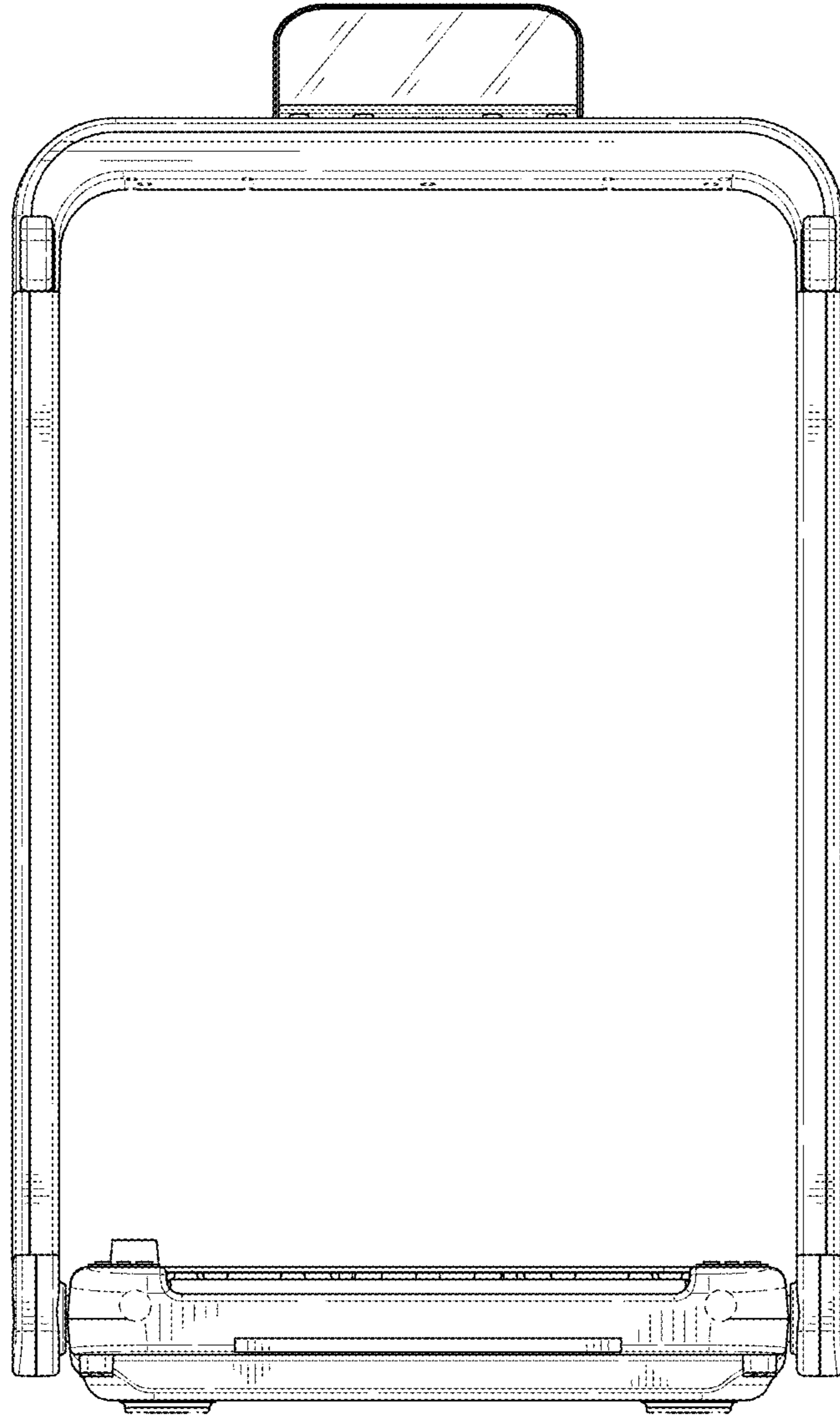


FIG. 3

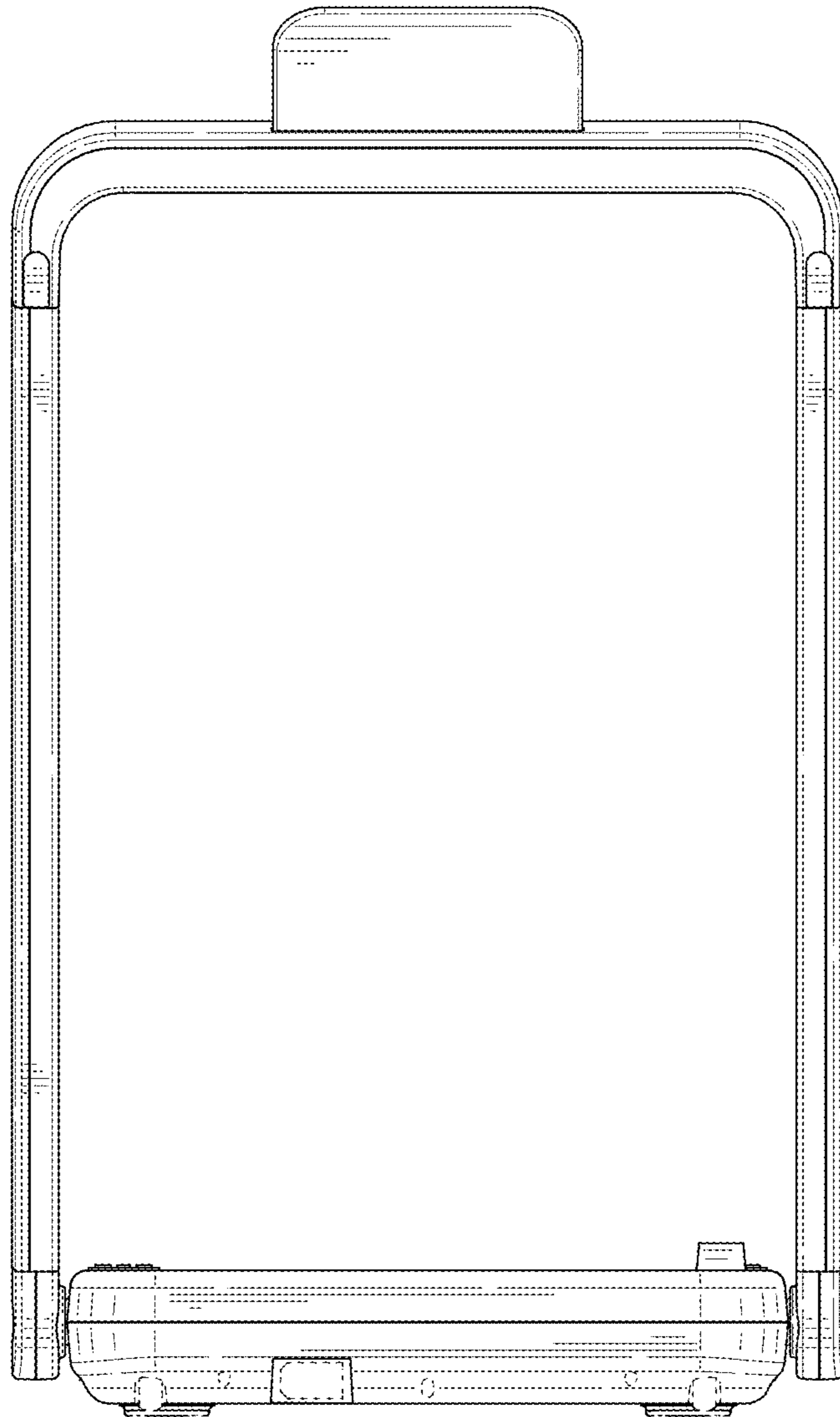


FIG. 4

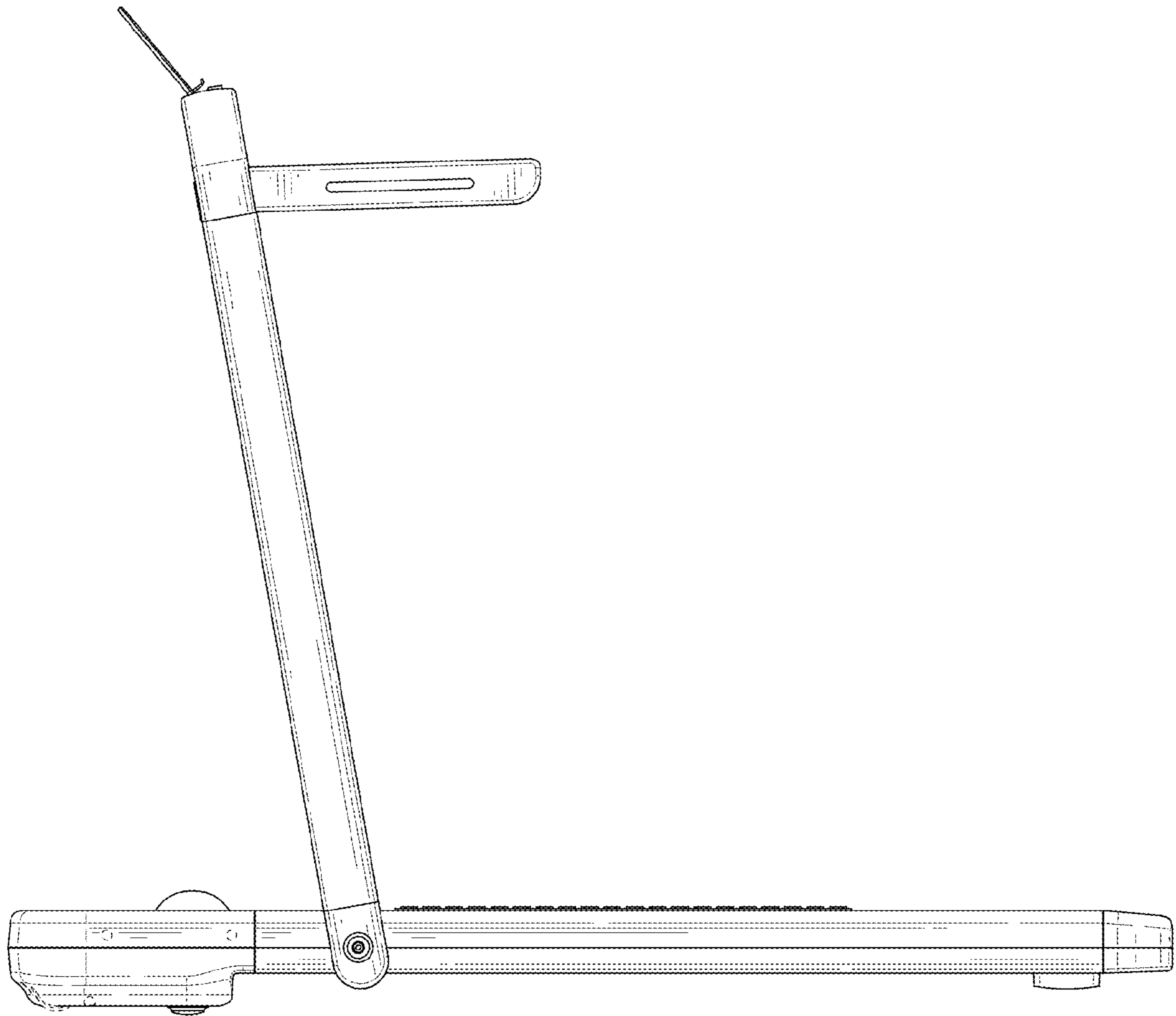


FIG. 5

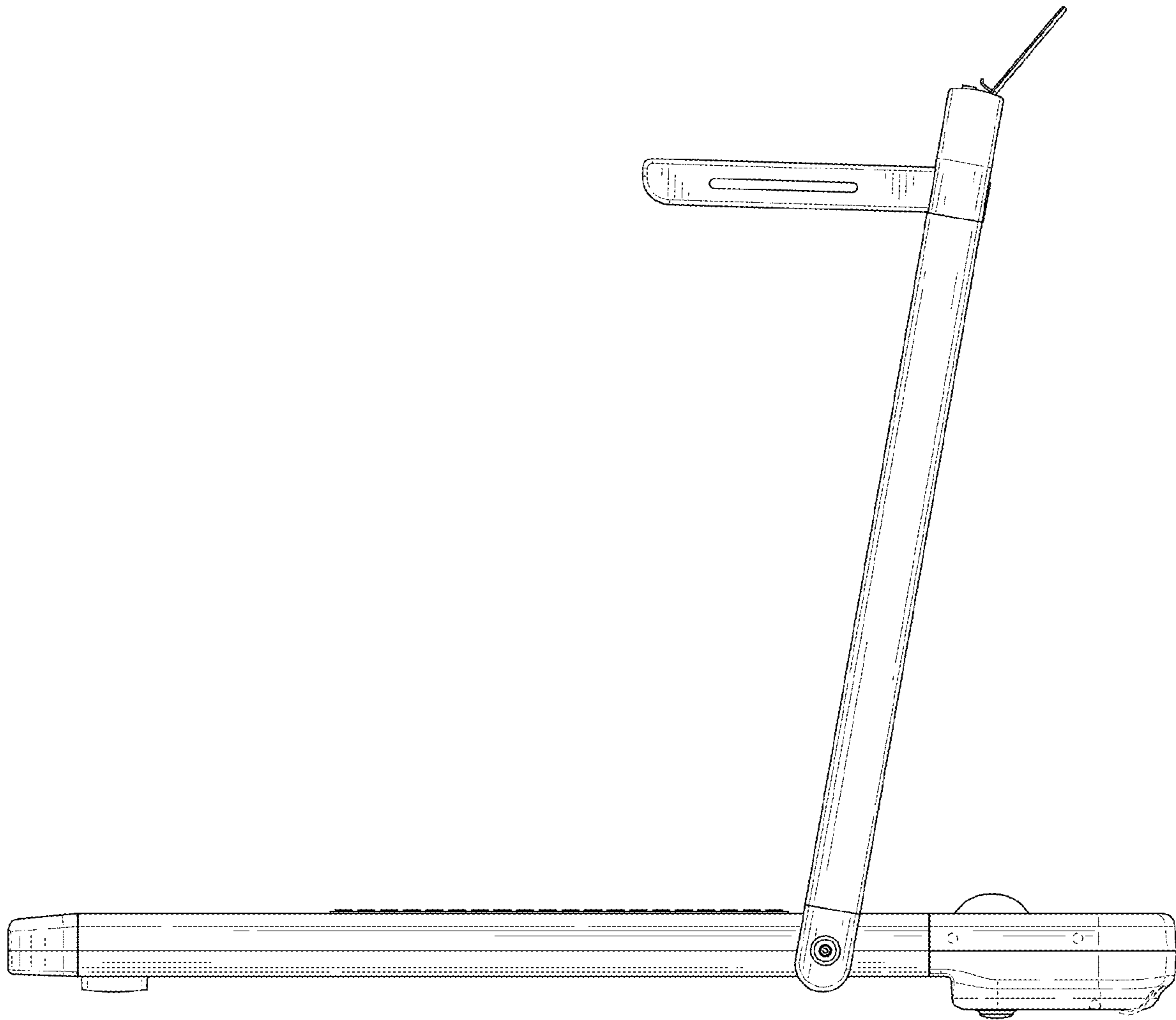


FIG. 6

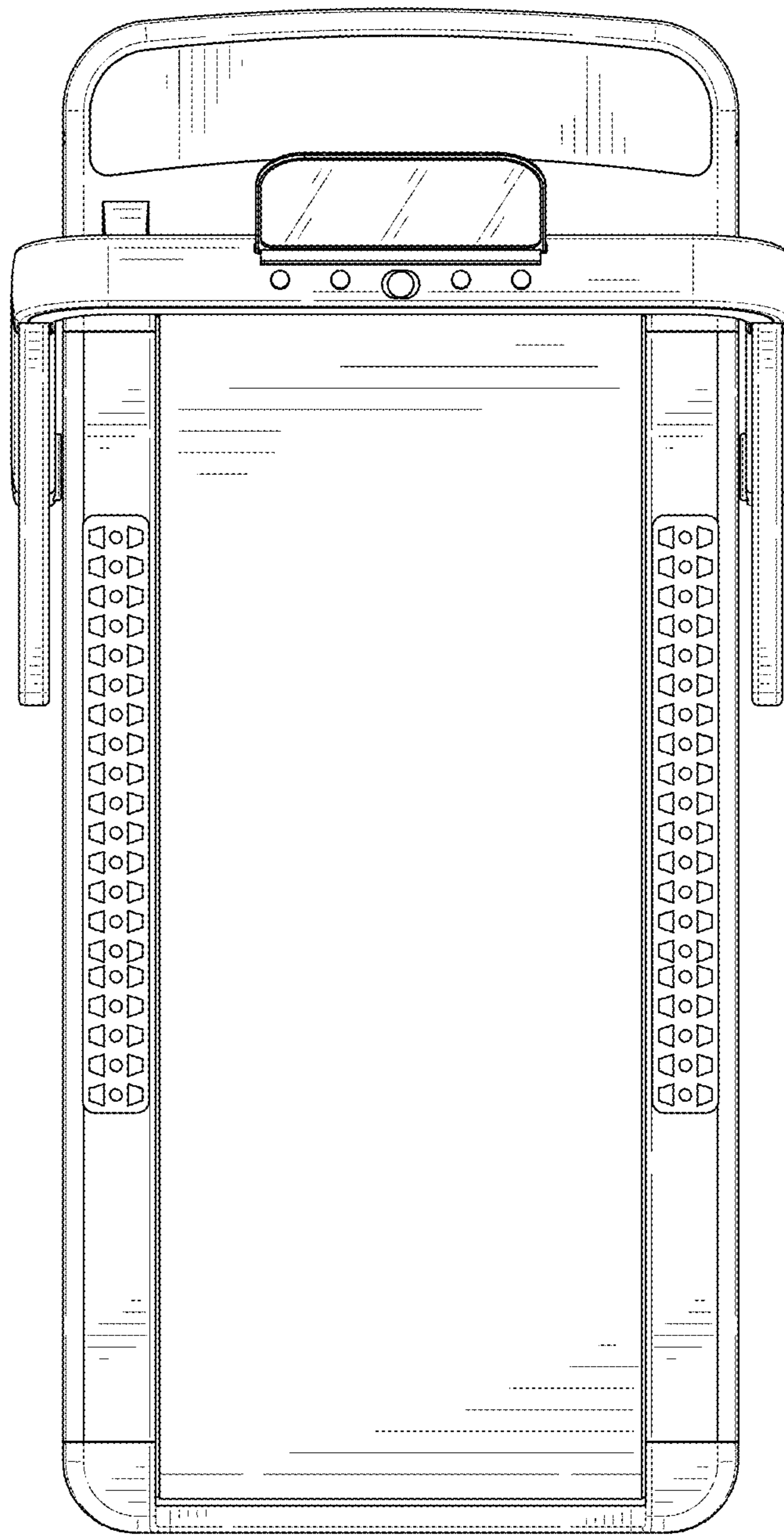


FIG. 7

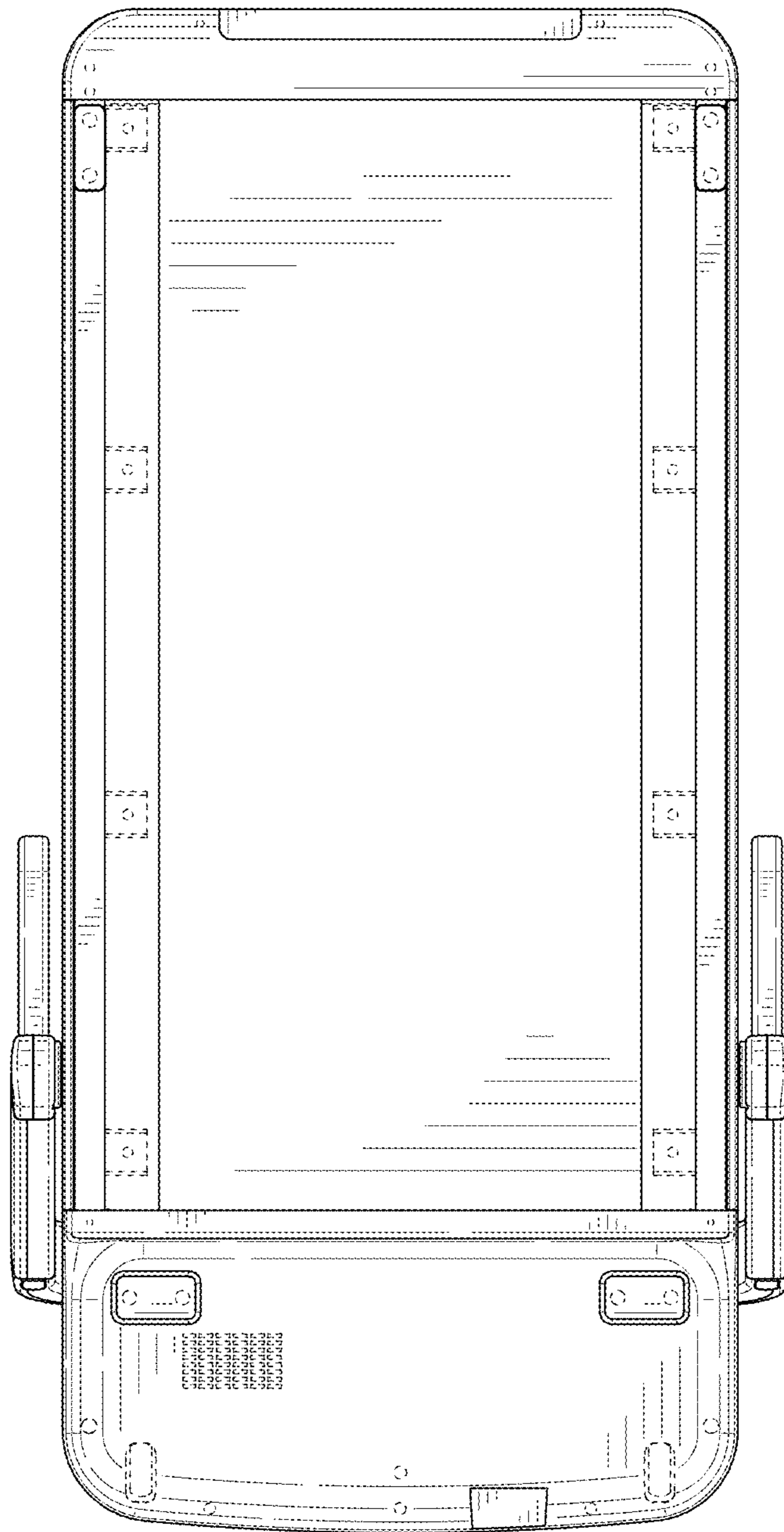


FIG. 8

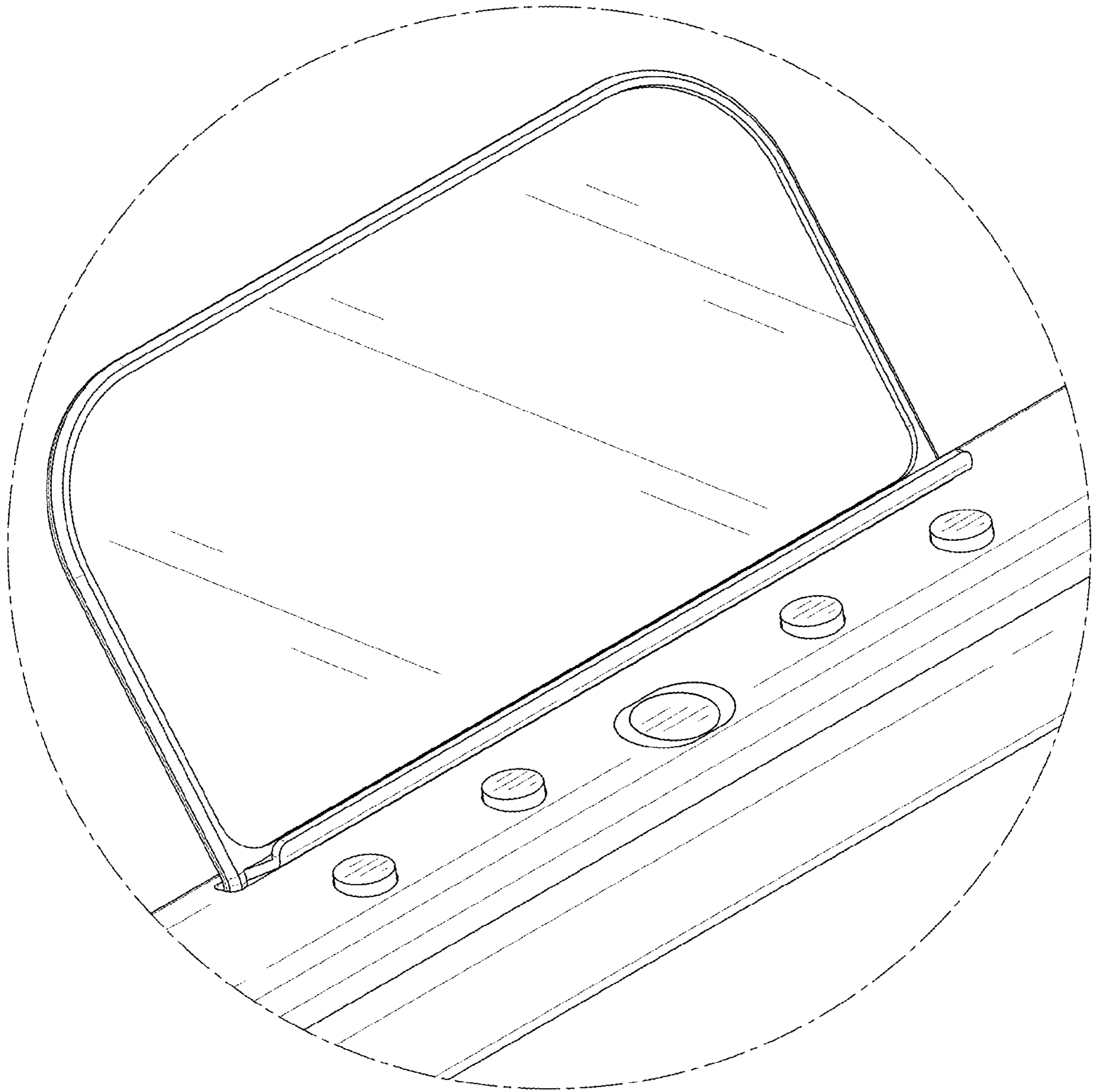


FIG. 9

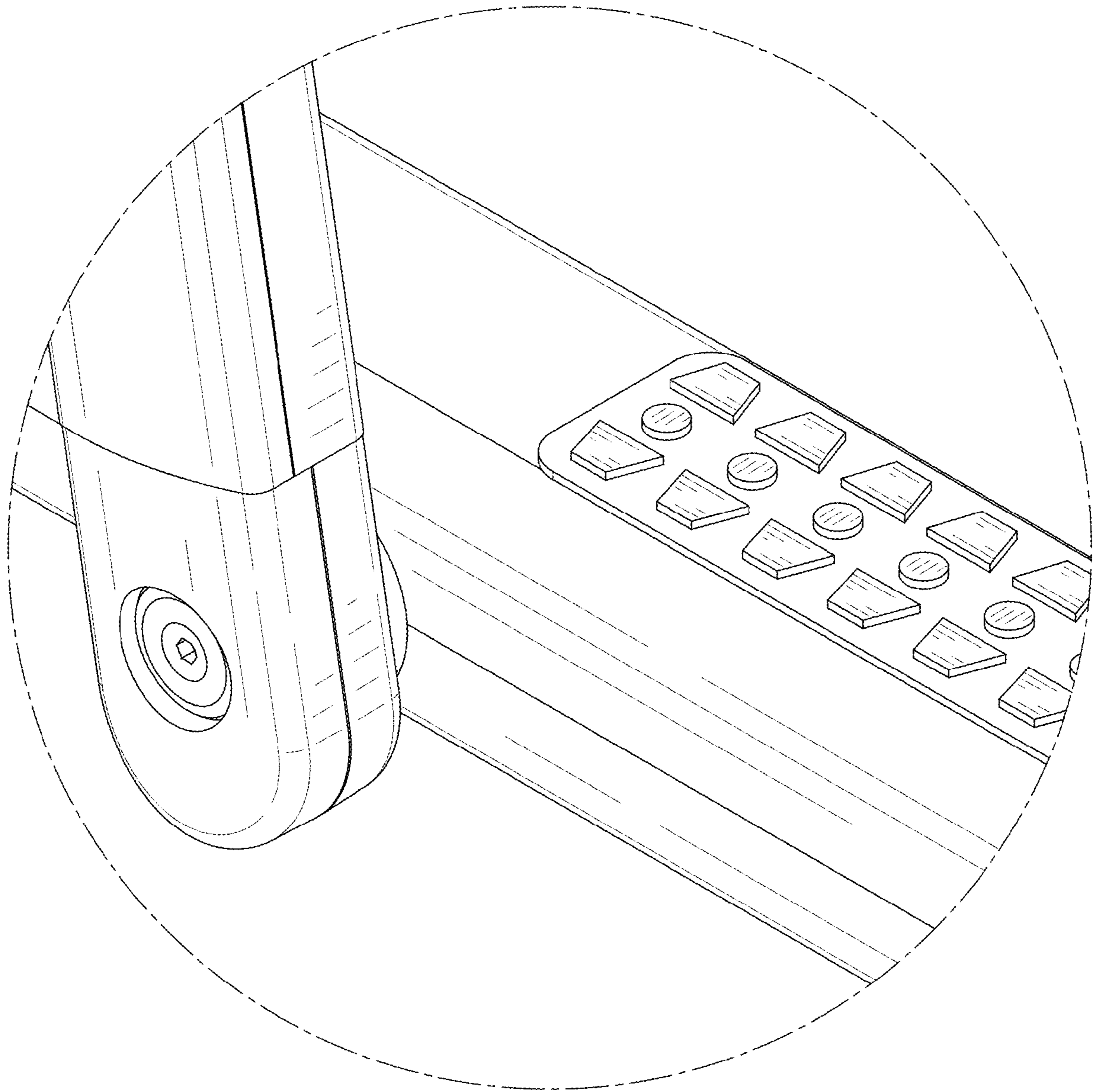


FIG. 10