



US00D934352S

(12) **United States Design Patent**
Li et al.

(10) **Patent No.:** **US D934,352 S**
(45) **Date of Patent:** **** Oct. 26, 2021**

(54) **TREADMILL**

(71) Applicant: **Anhui Huami Information Technology Co., Ltd.**, Anhui (CN)

(72) Inventors: **Yuan Li**, Anhui (CN); **Luying Cao**, Anhui (CN)

(73) Assignee: **Anhui Huami Information Technology Co., Ltd.**, Anhui (CN)

(**) Term: **15 Years**

(21) Appl. No.: **29/718,945**

(22) Filed: **Dec. 30, 2019**

(51) **LOC (13) Cl.** **21-02**

(52) **U.S. Cl.**
USPC **D21/669**

(58) **Field of Classification Search**
USPC D21/669, 800, 662, 668, 670, 671, 694
See application file for complete search history.

(56) **References Cited**

U.S. PATENT DOCUMENTS

D231,678 S *	5/1974	Trotter	D21/669
4,334,676 A *	6/1982	Schonenberger	A63B 22/02 482/54
D282,386 S *	1/1986	Dealey	D21/669
4,614,337 A *	9/1986	Schonenberger	A63B 22/02 482/54
D291,821 S *	9/1987	Kiiski	D21/669
D303,557 S *	9/1989	Kiiski	D21/669
D366,077 S *	1/1996	Hung	D21/669
6,168,548 B1 *	1/2001	Fleming	A63B 3/00 482/23
D902,332 S *	11/2020	Kruse	D21/694
2008/0009396 A1 *	1/2008	von Detten	A63B 22/02 482/54
2017/0266483 A1 *	9/2017	Dalebout	A63B 71/0036

* cited by examiner

Primary Examiner — Khawaja Anwar

Assistant Examiner — Julice Seung Eun Oum

(74) *Attorney, Agent, or Firm* — Young Basile Hanlon & MacFarlane, P.C.

(57) **CLAIM**

The ornamental design for a treadmill, as shown and described.

DESCRIPTION

FIG. 1 is a top, front, and left perspective view of a first embodiment of the treadmill showing our new design.

FIG. 2 is a front view of the treadmill of FIG. 1.

FIG. 3 is a rear view of the treadmill of FIG. 1.

FIG. 4 is a left side view of the treadmill of FIG. 1.

FIG. 5 is a right side view of the treadmill of FIG. 1.

FIG. 6 is a top view of the treadmill of FIG. 1.

FIG. 7 is a bottom view of the treadmill of FIG. 1.

FIG. 8 is a top, front, and left perspective view of a second embodiment of the treadmill.

FIG. 9 is a front view of the treadmill of FIG. 8.

FIG. 10 is a rear view of the treadmill of FIG. 8.

FIG. 11 is a left side view of the treadmill of FIG. 8.

FIG. 12 is a right side view of the treadmill of FIG. 8.

FIG. 13 is a top view of the treadmill of FIG. 8.

FIG. 14 is a bottom view of the treadmill of FIG. 8.

FIG. 15 is a top, front, and left perspective view of a third embodiment of the treadmill.

FIG. 16 is a front view of the treadmill of FIG. 15.

FIG. 17 is a rear view of the treadmill of FIG. 15.

FIG. 18 is a left side view of the treadmill of FIG. 15.

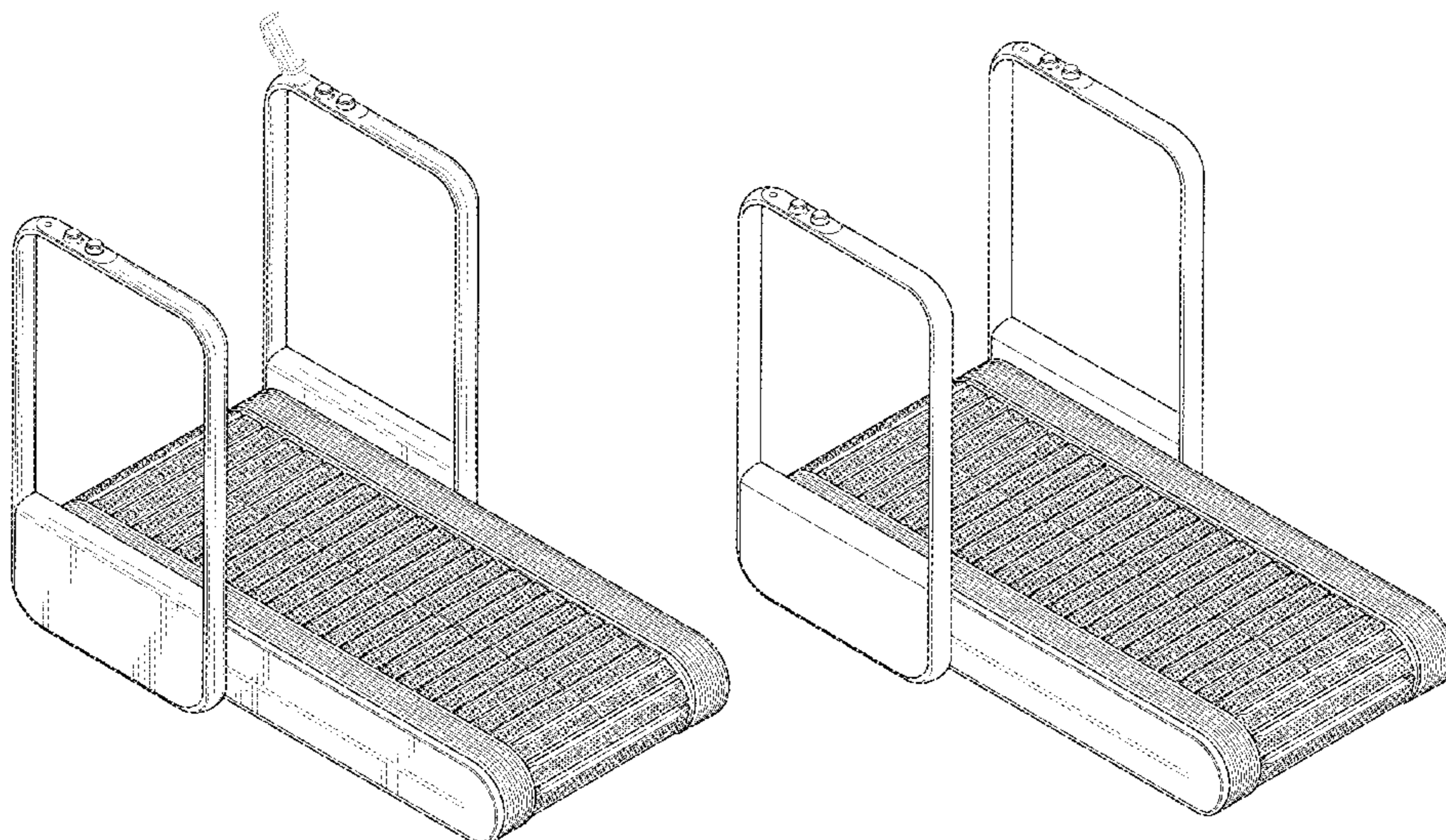
FIG. 19 is a right side view of the treadmill of FIG. 15.

FIG. 20 is a top view of the treadmill of FIG. 15; and,

FIG. 21 is a bottom view of the treadmill of FIG. 15.

The ornamental design which is claimed is shown in solid lines in the drawings. The broken line showing in FIGS. 1-21 illustrates the environment, which forms no part of the claimed design. The shade lines in the figures show contour, not surface ornamentation and form no part of the claimed design.

1 Claim, 21 Drawing Sheets



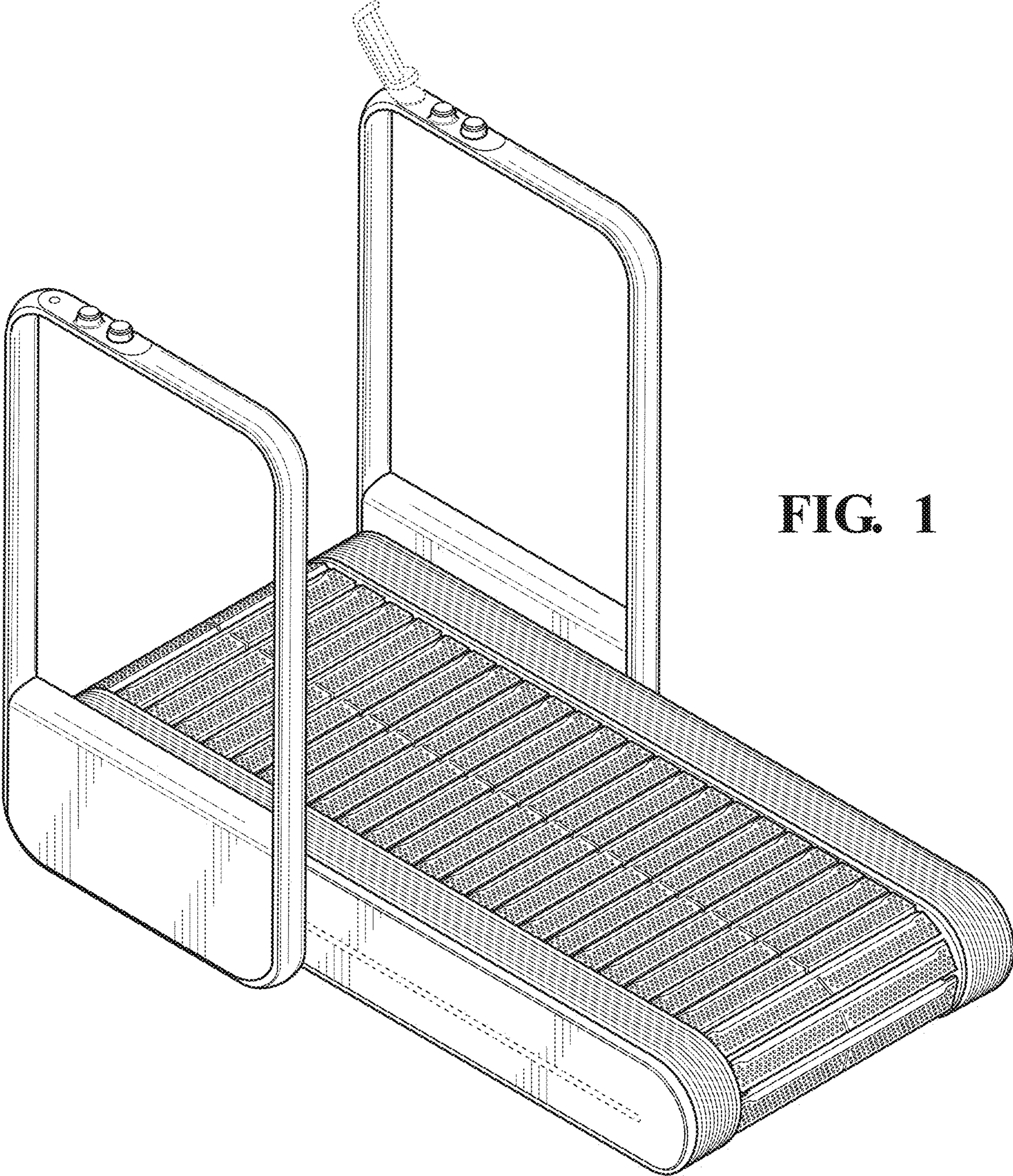


FIG. 1

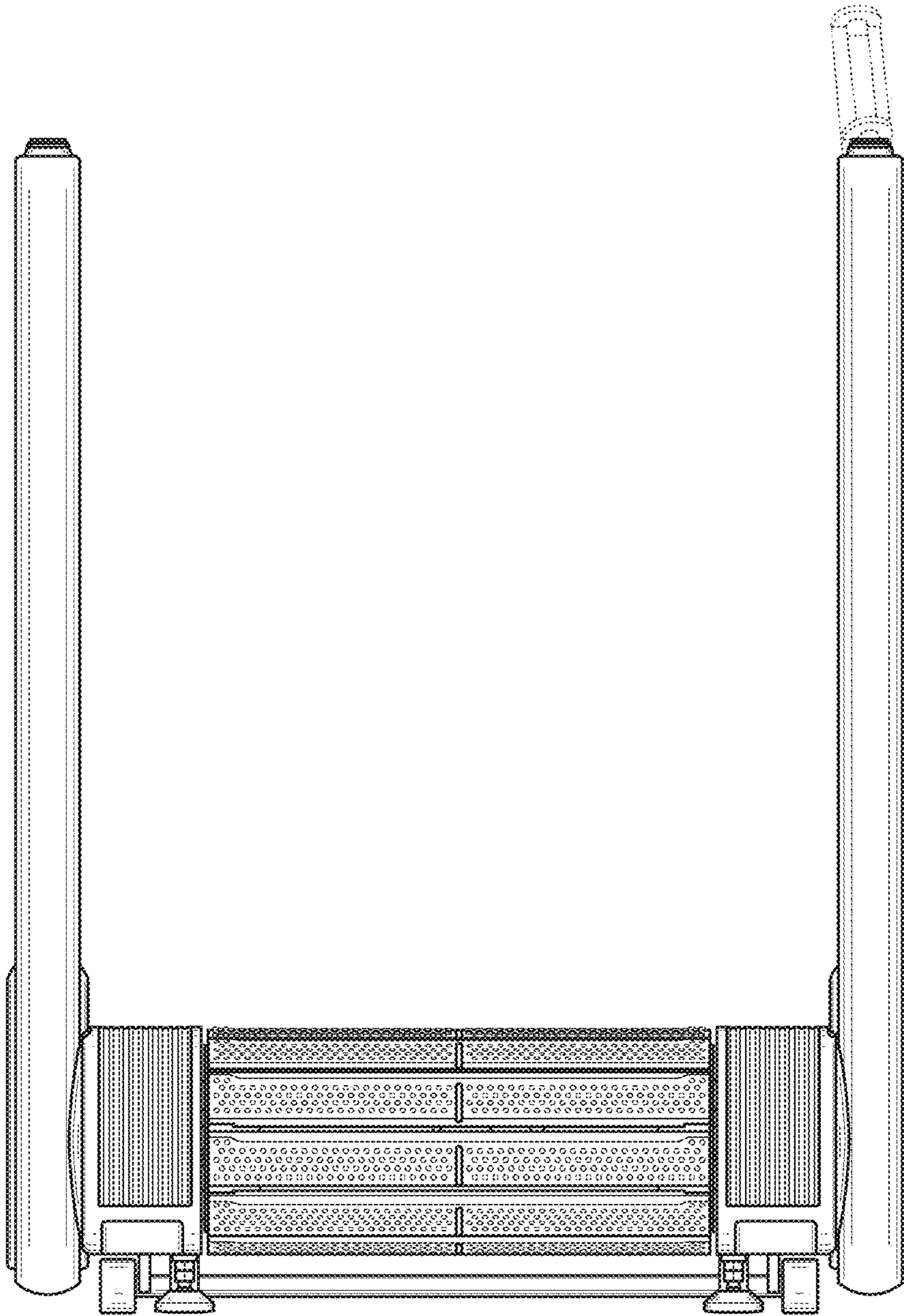


FIG. 2

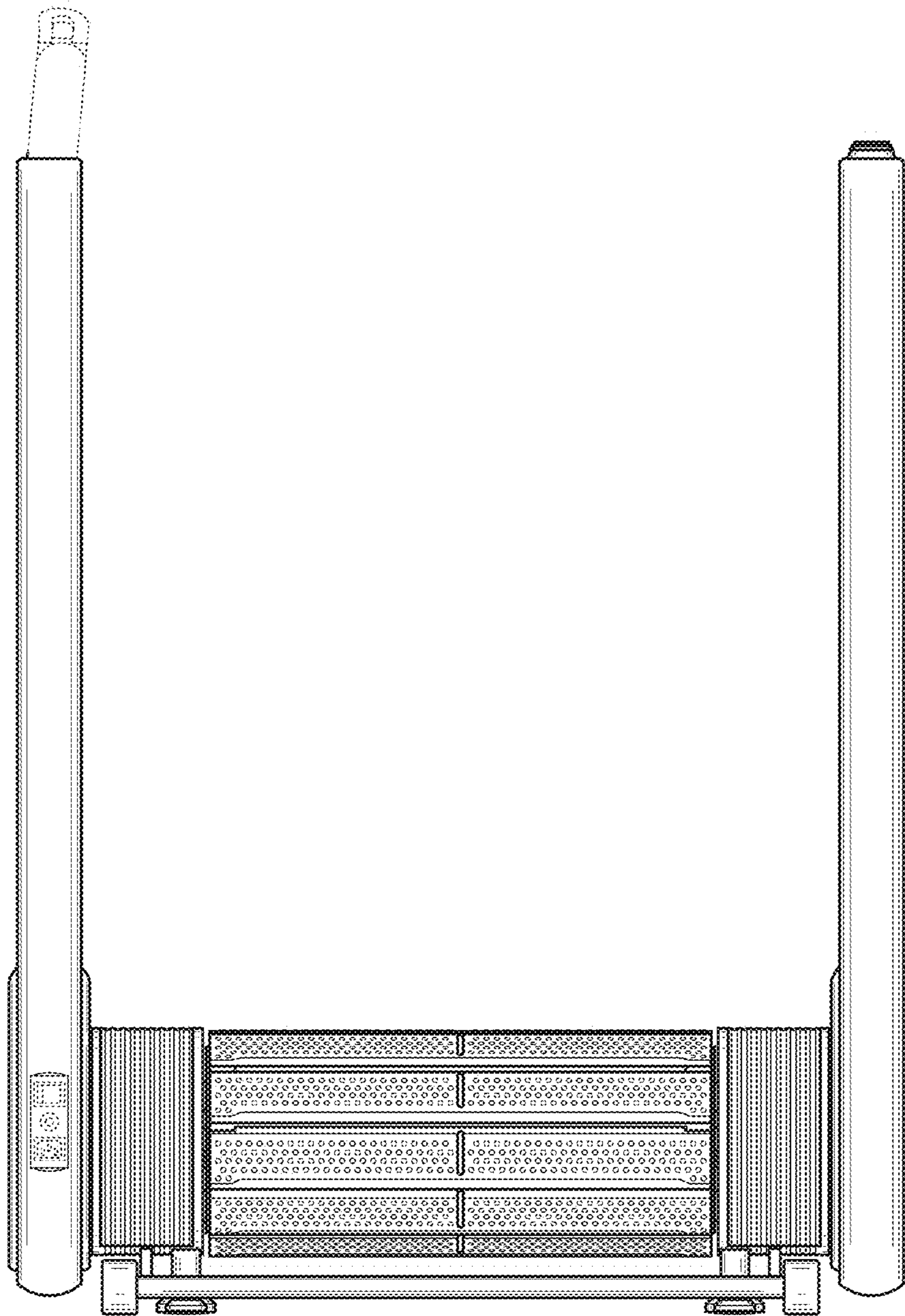


FIG. 3

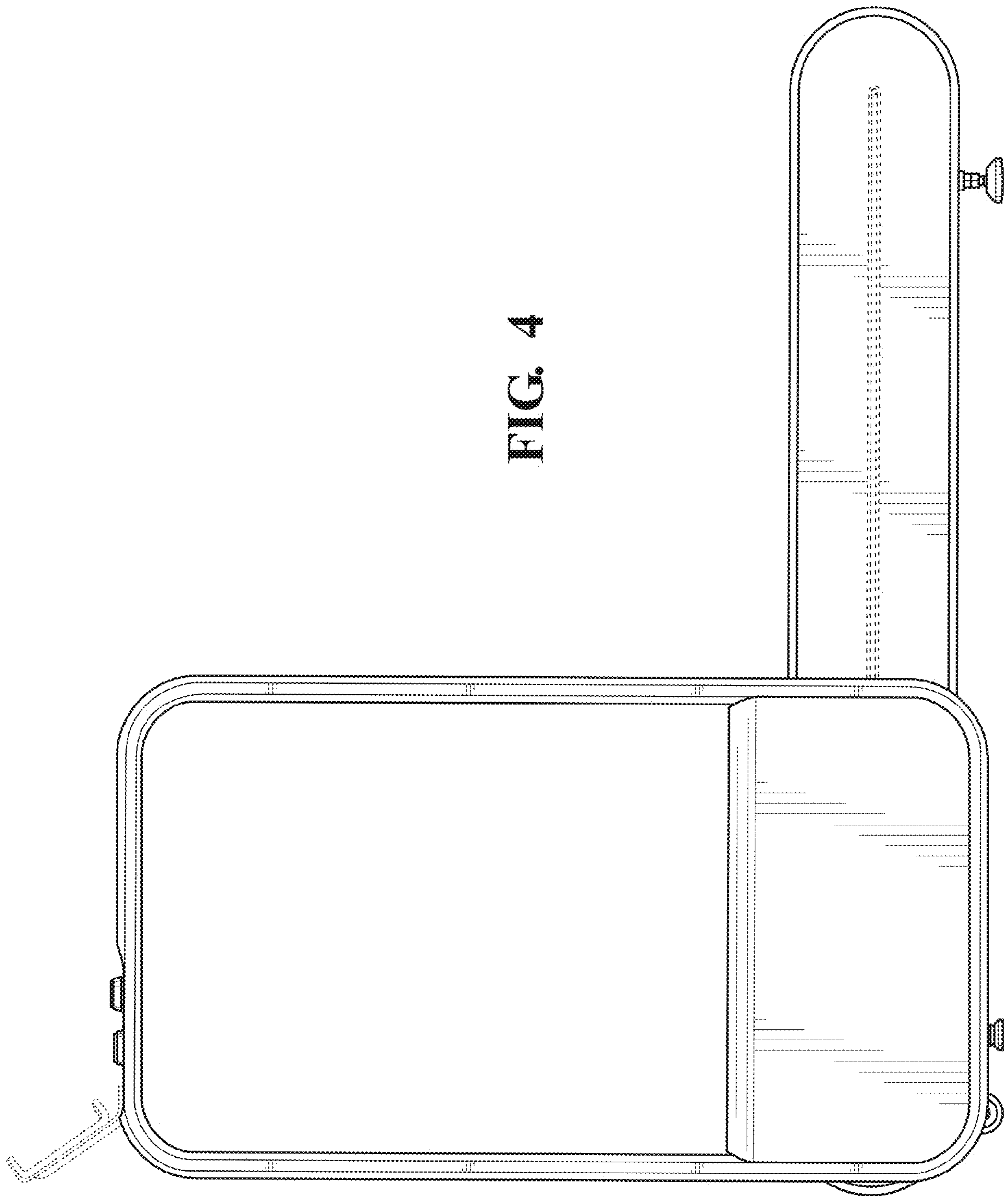


FIG. 4

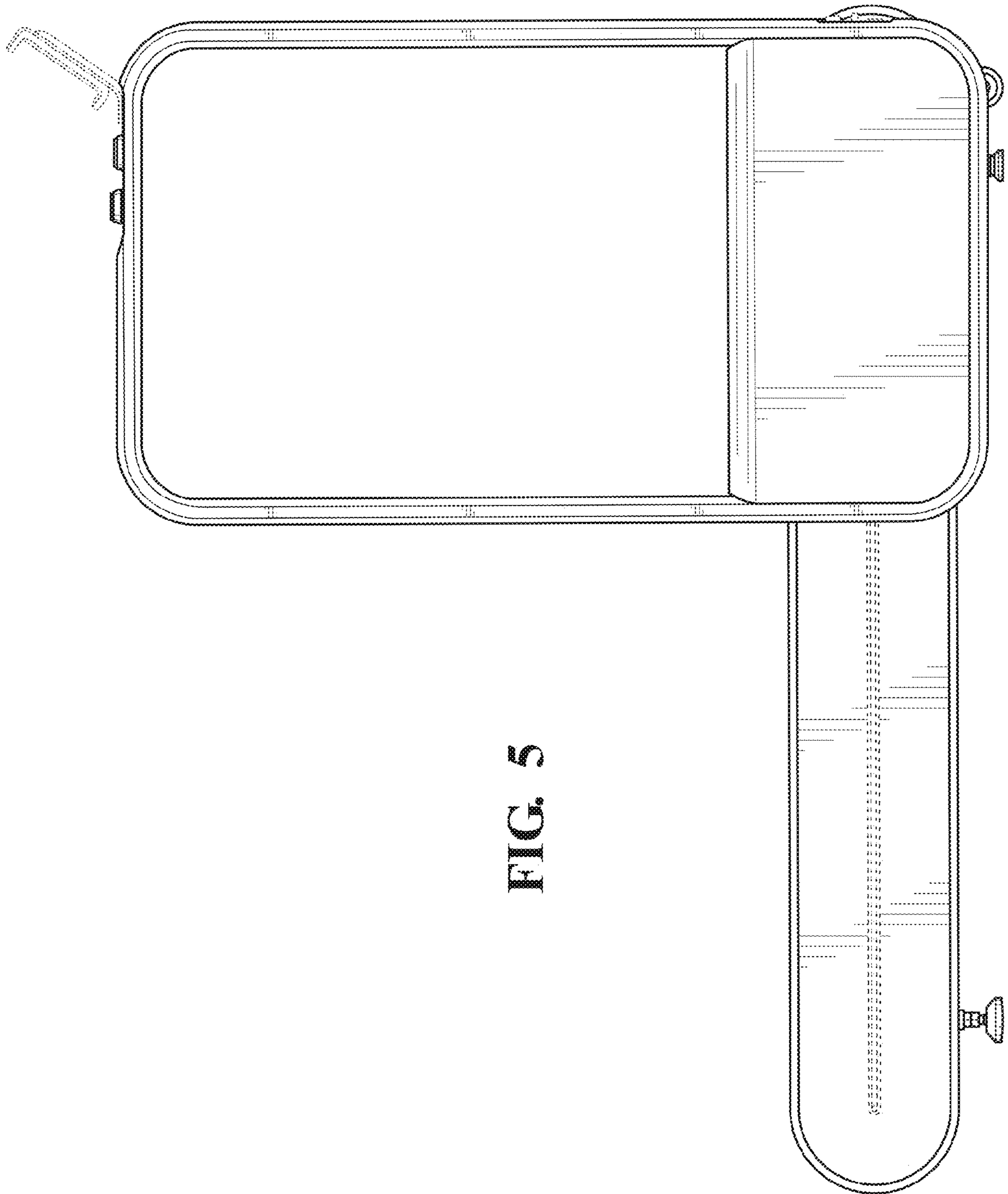


FIG. 5

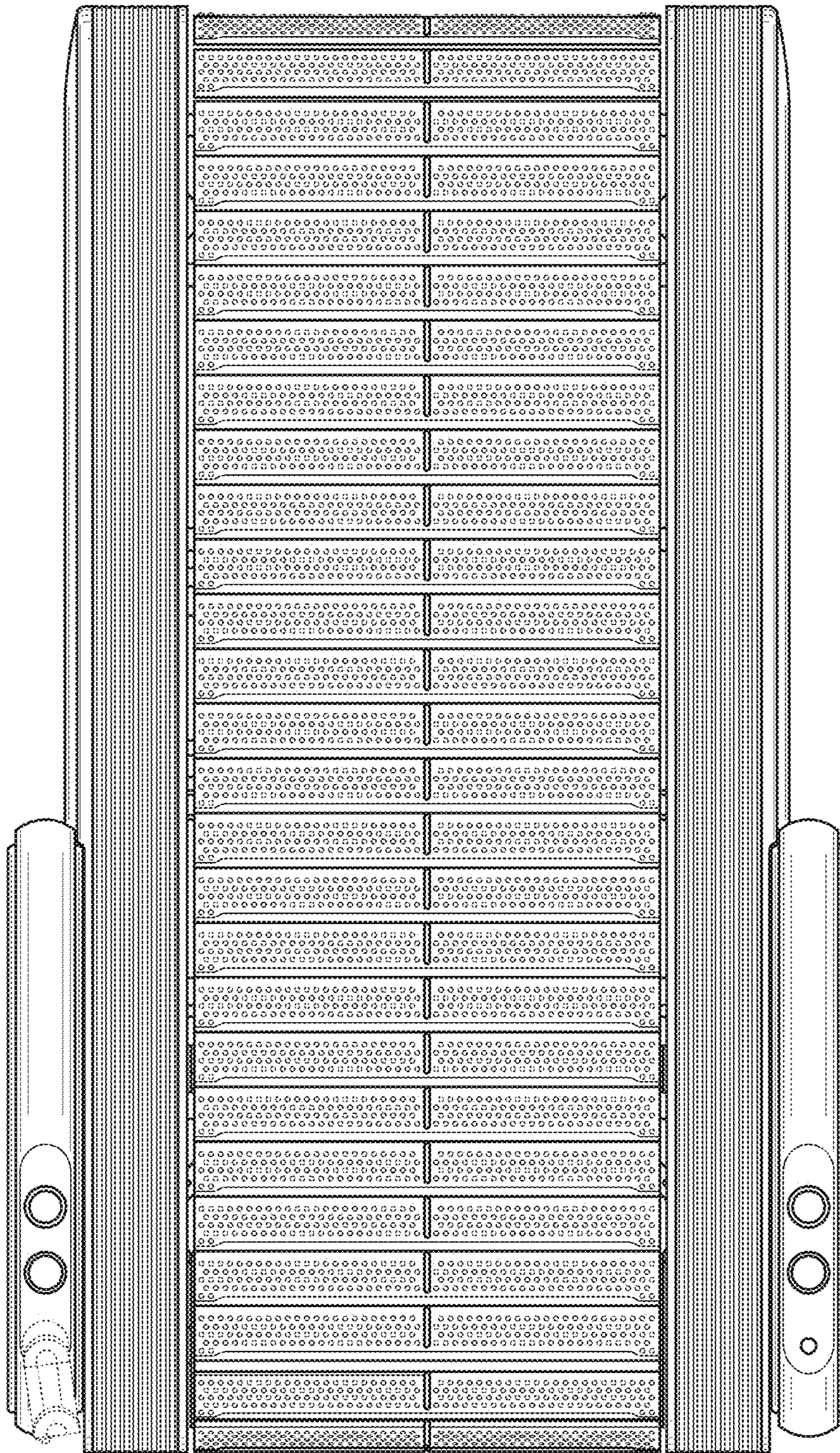


FIG. 6

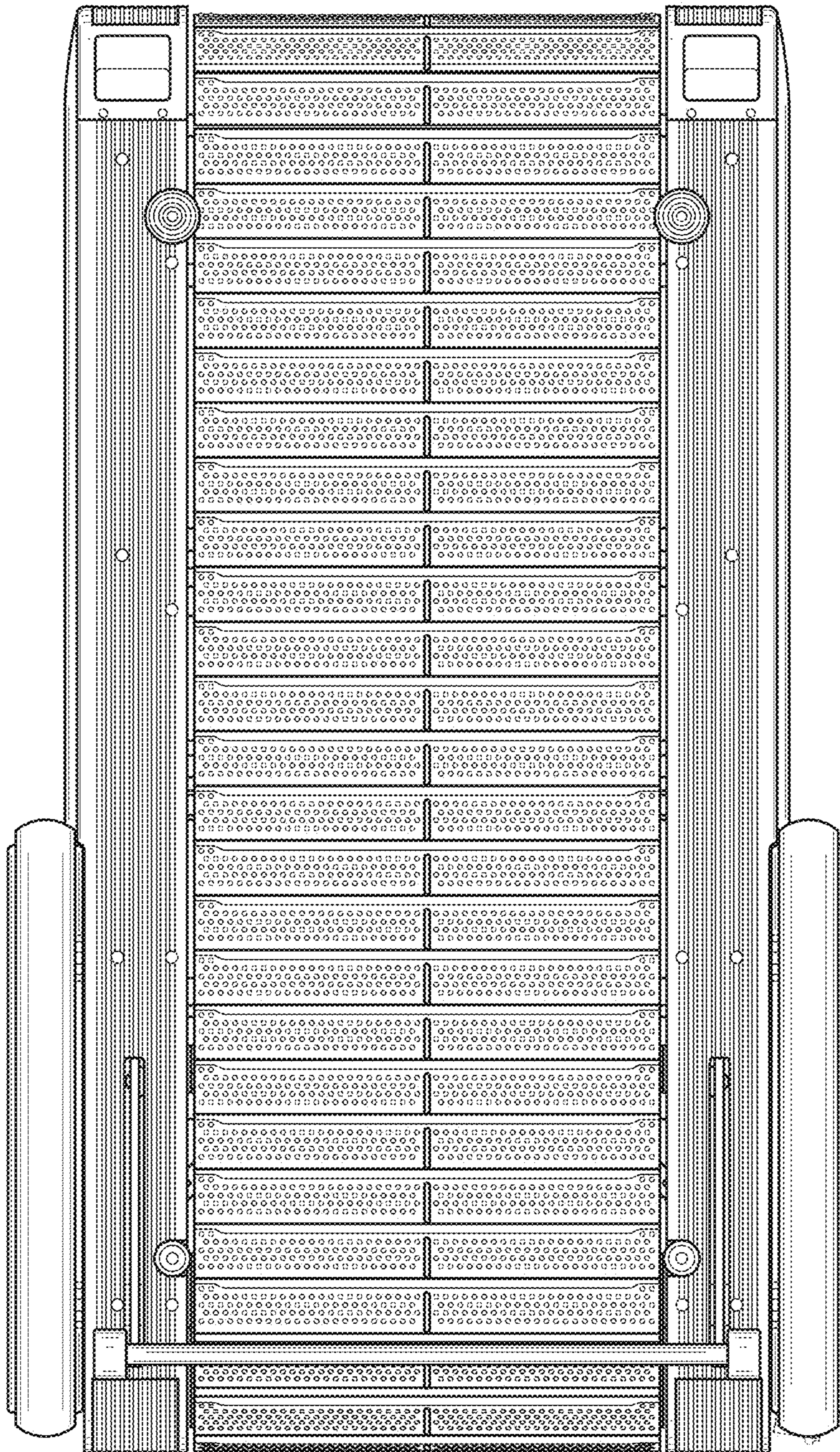


FIG. 7

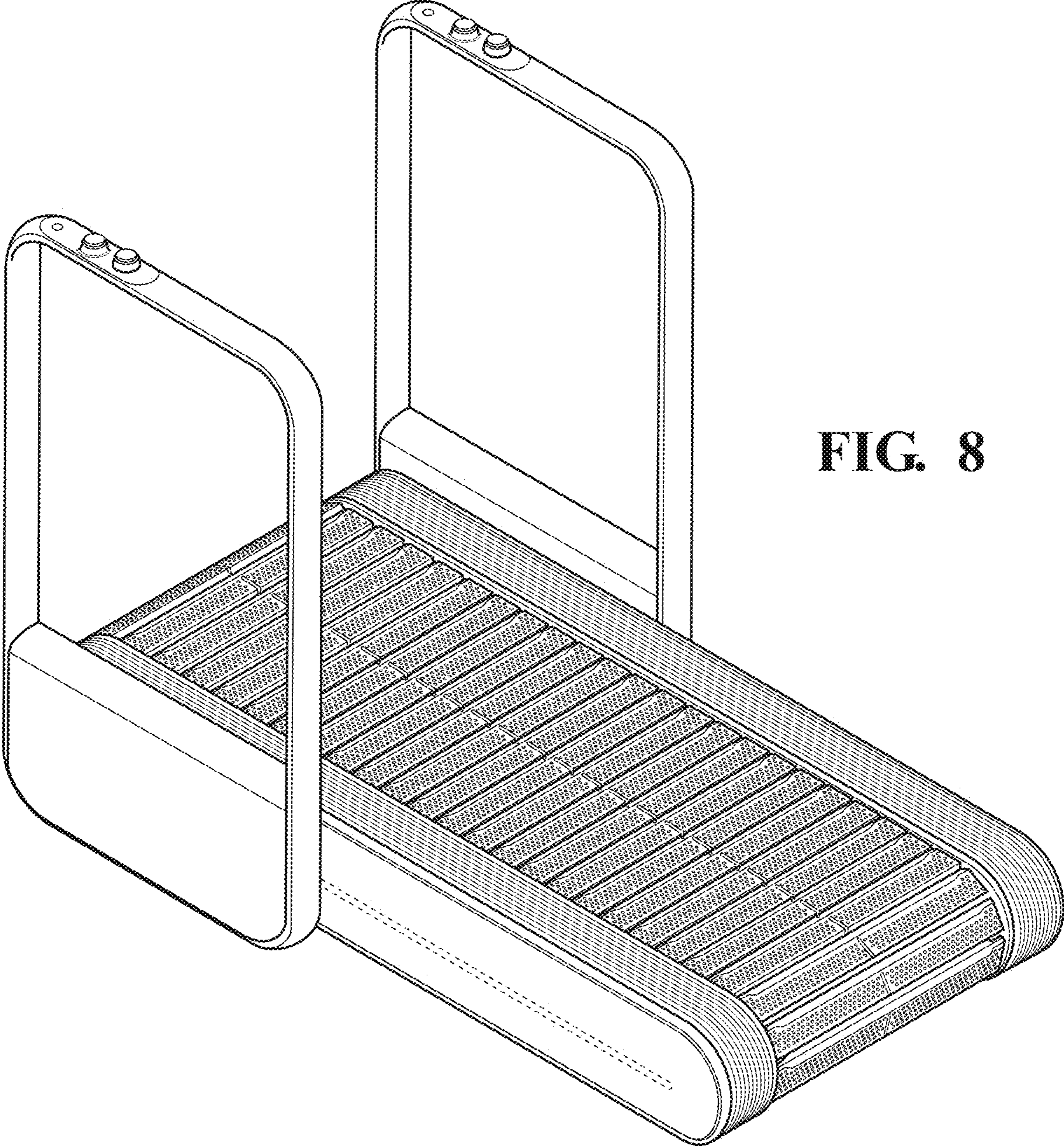


FIG. 8

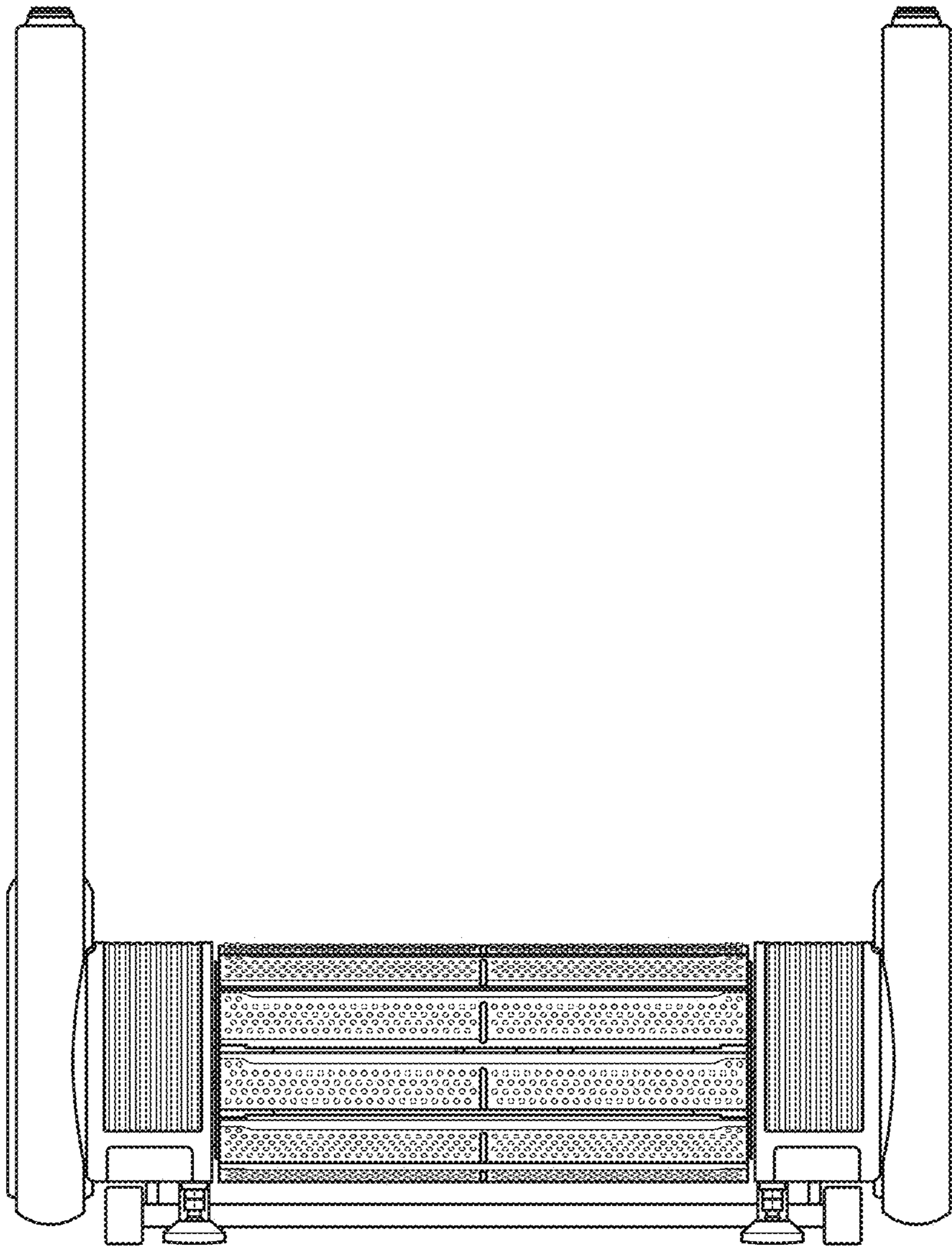


FIG. 9

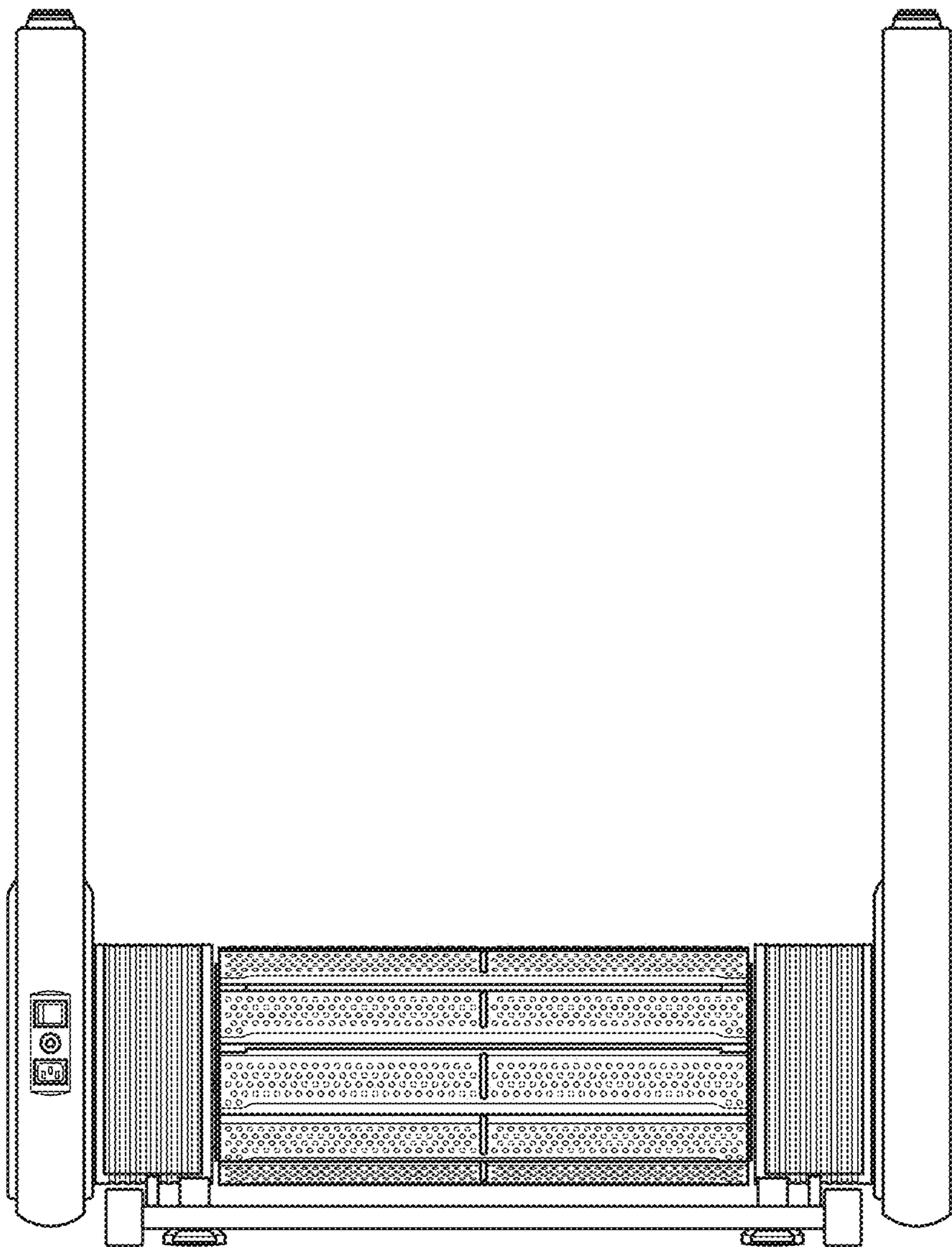
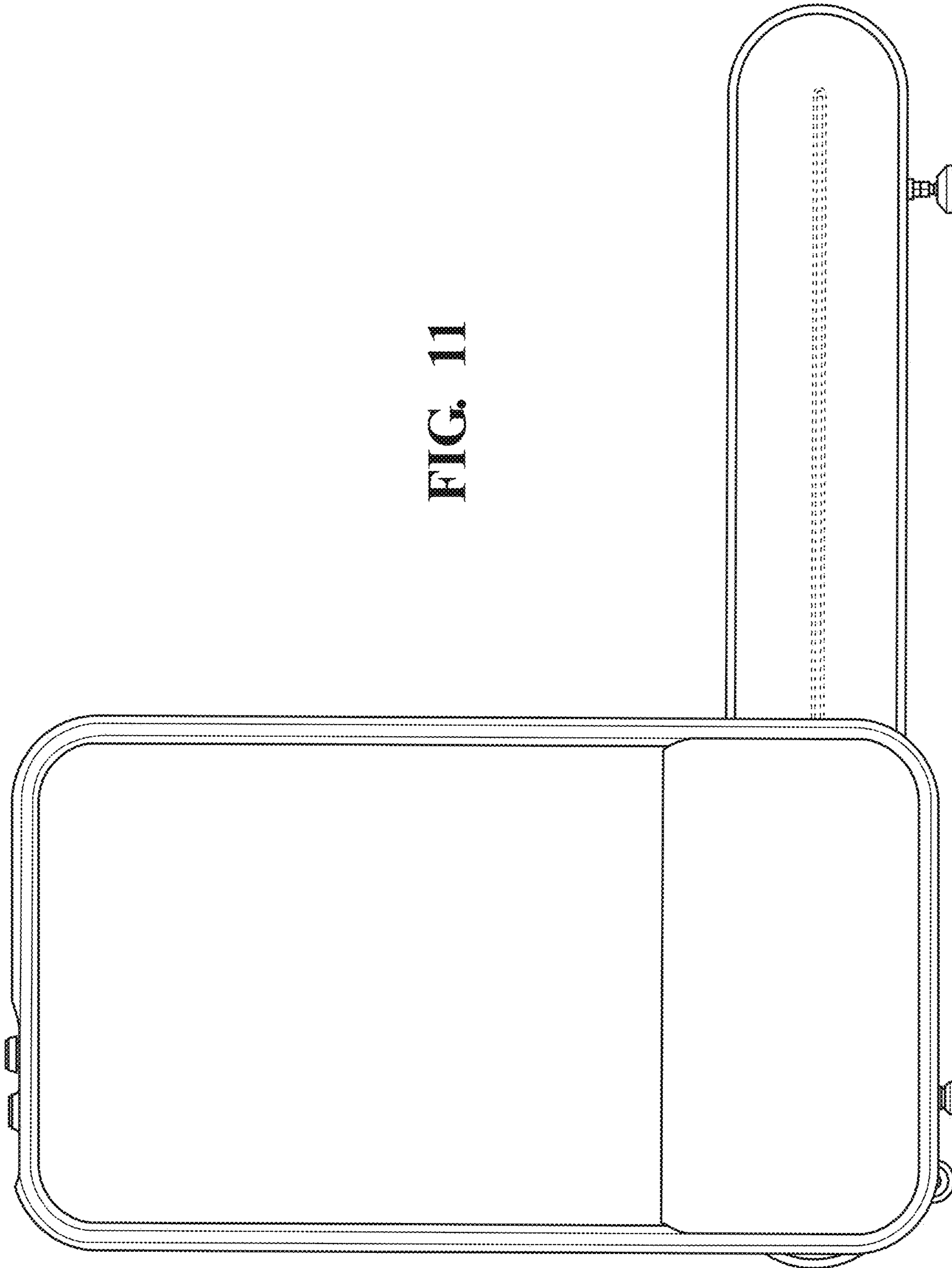


FIG. 10

FIG. 11



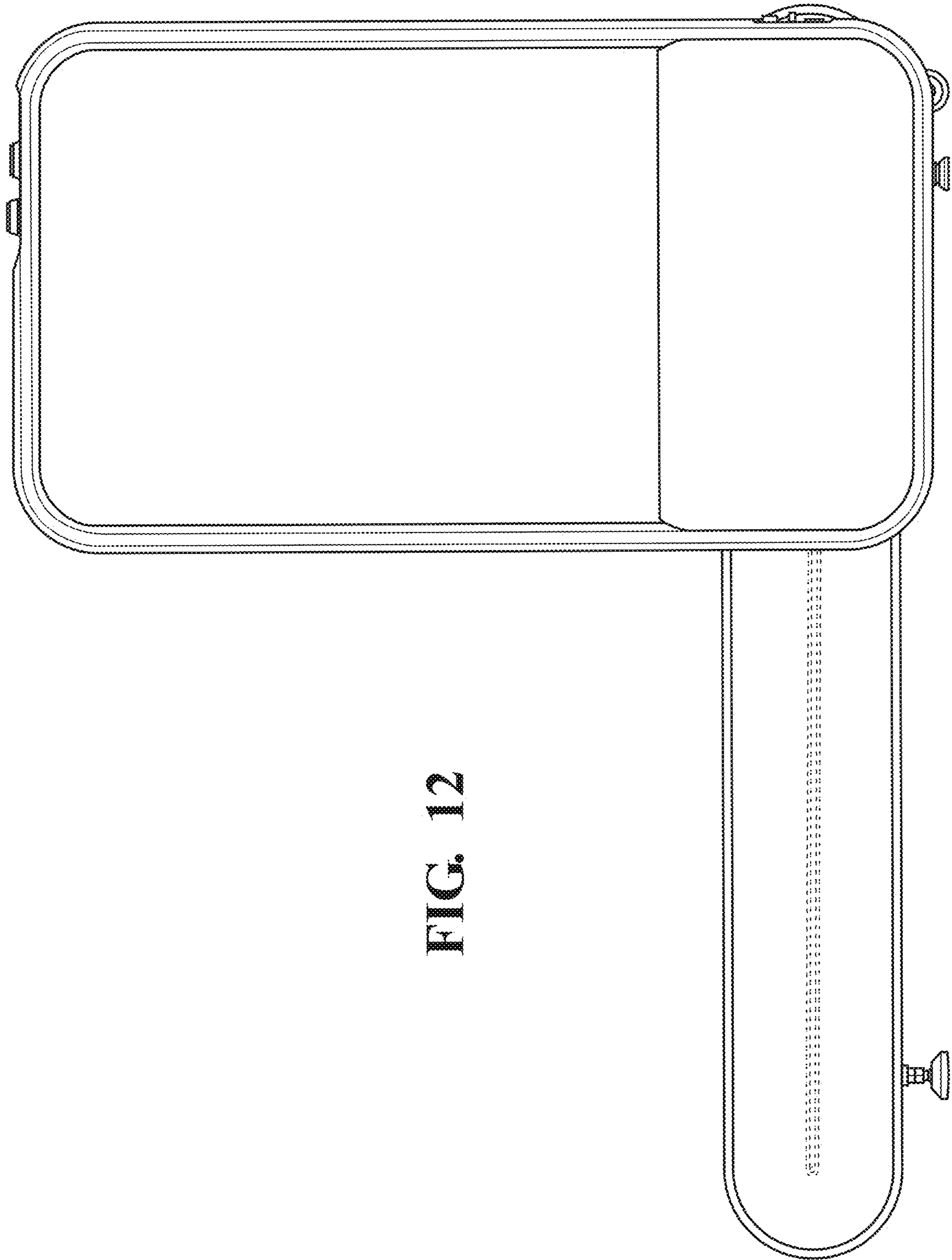


FIG. 12

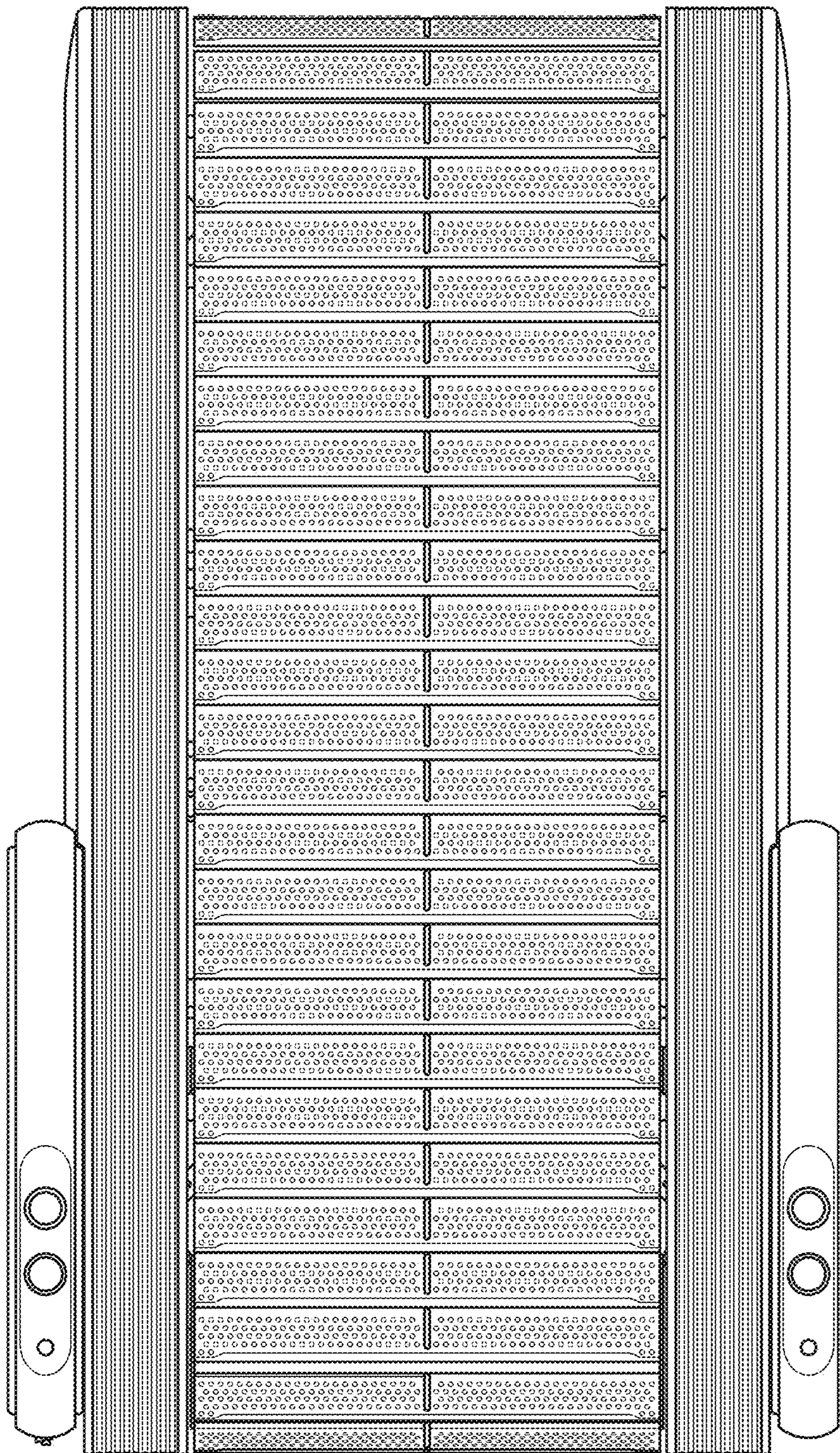


FIG. 13

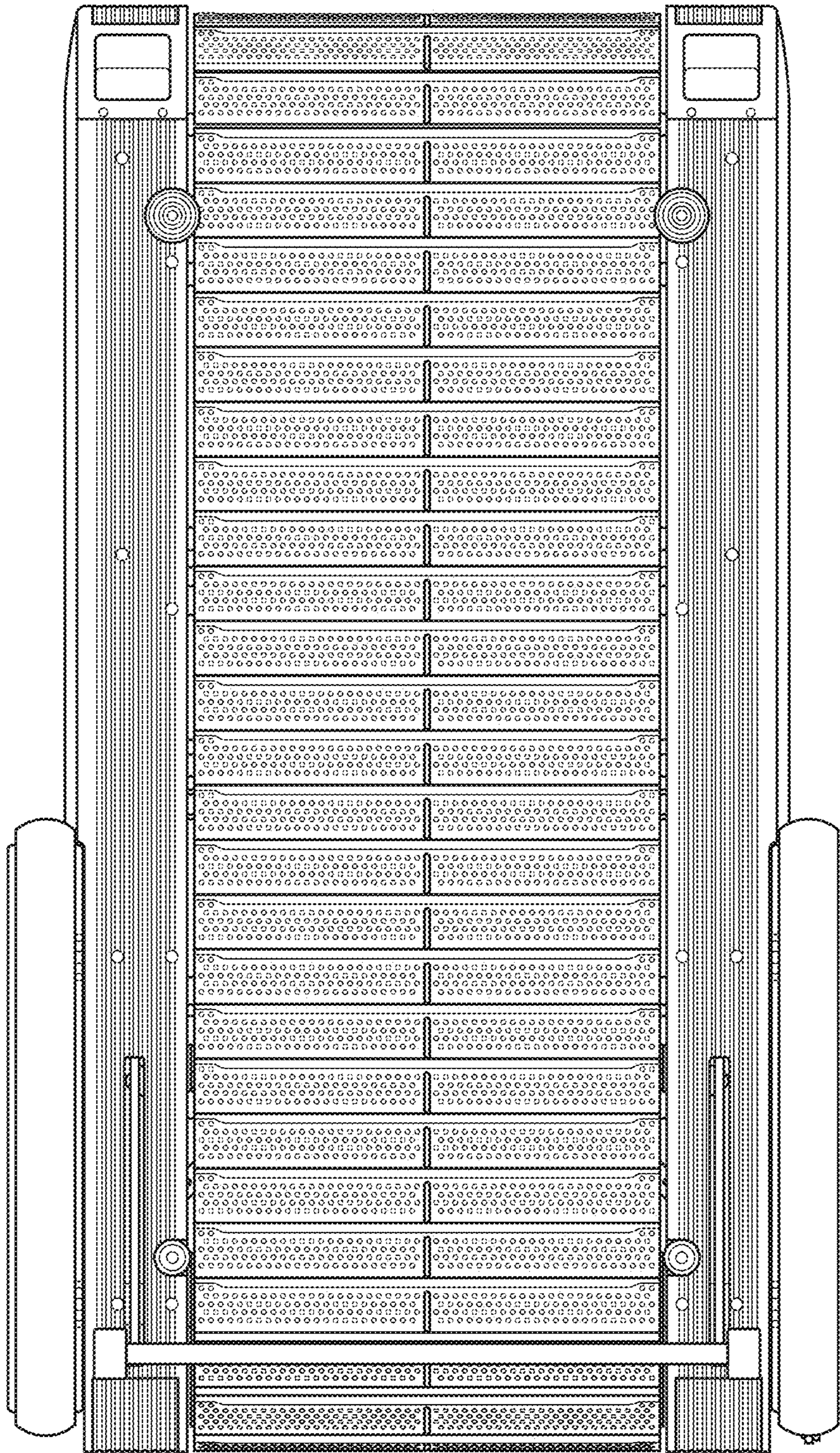


FIG. 14

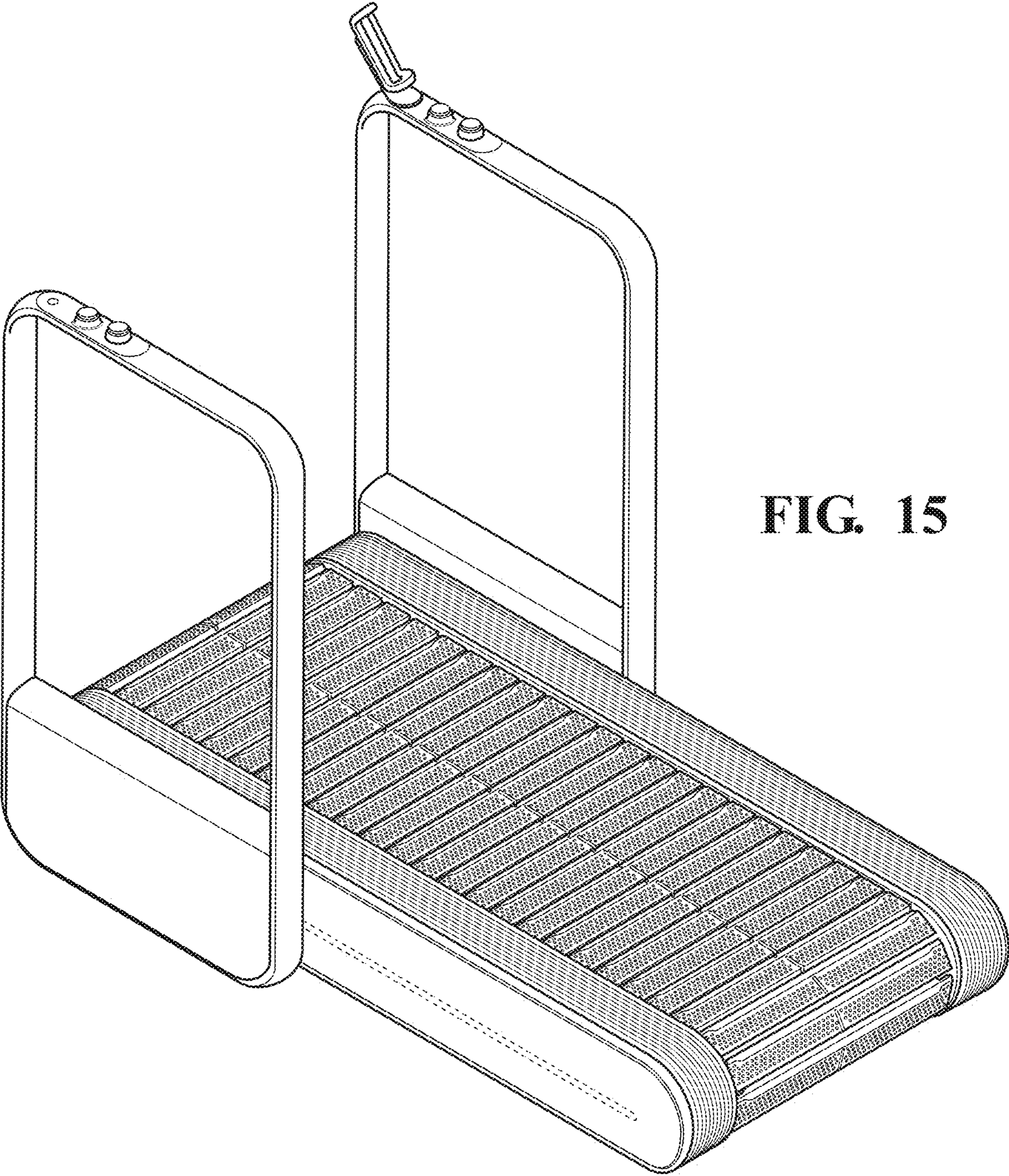


FIG. 15

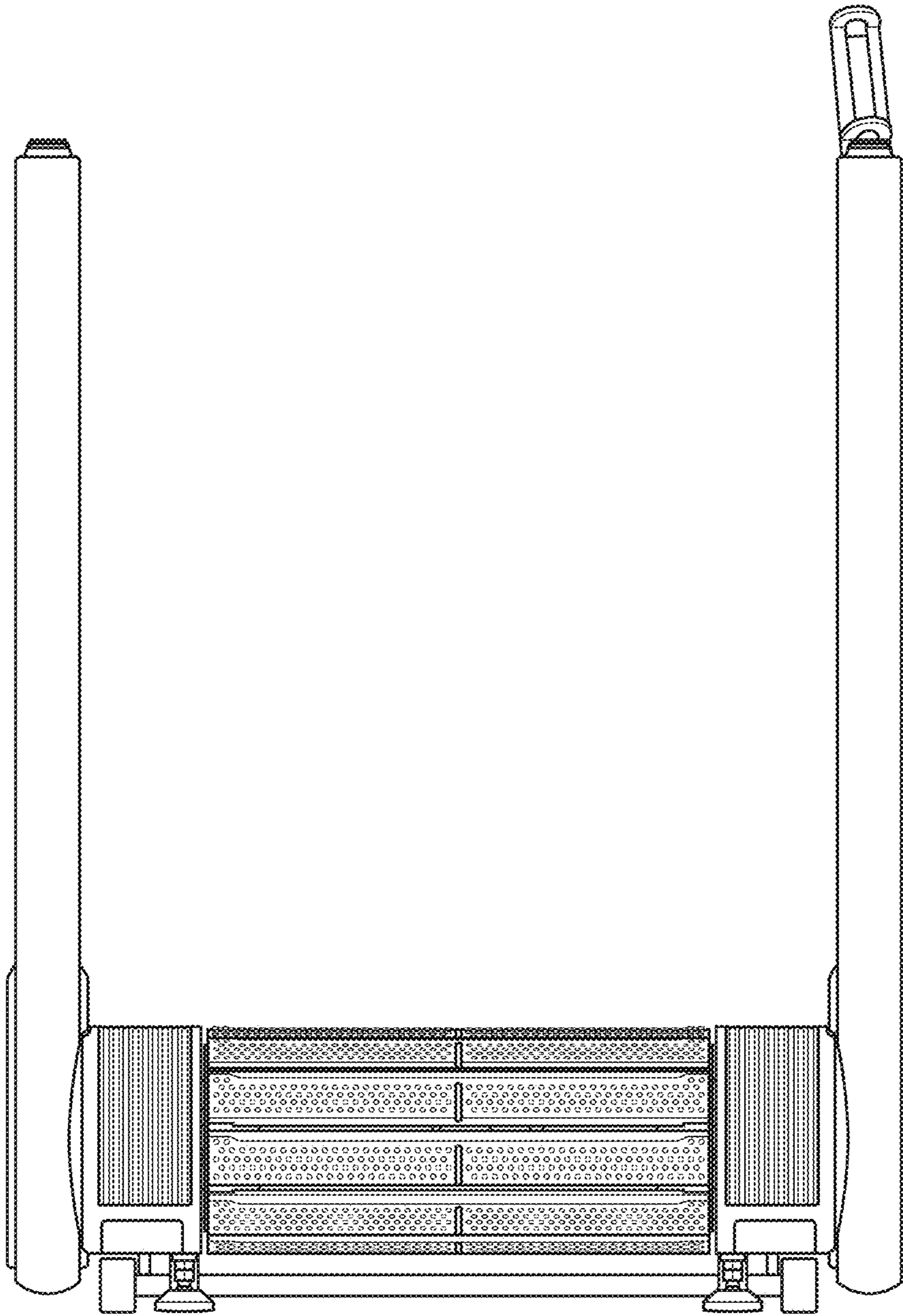


FIG. 16

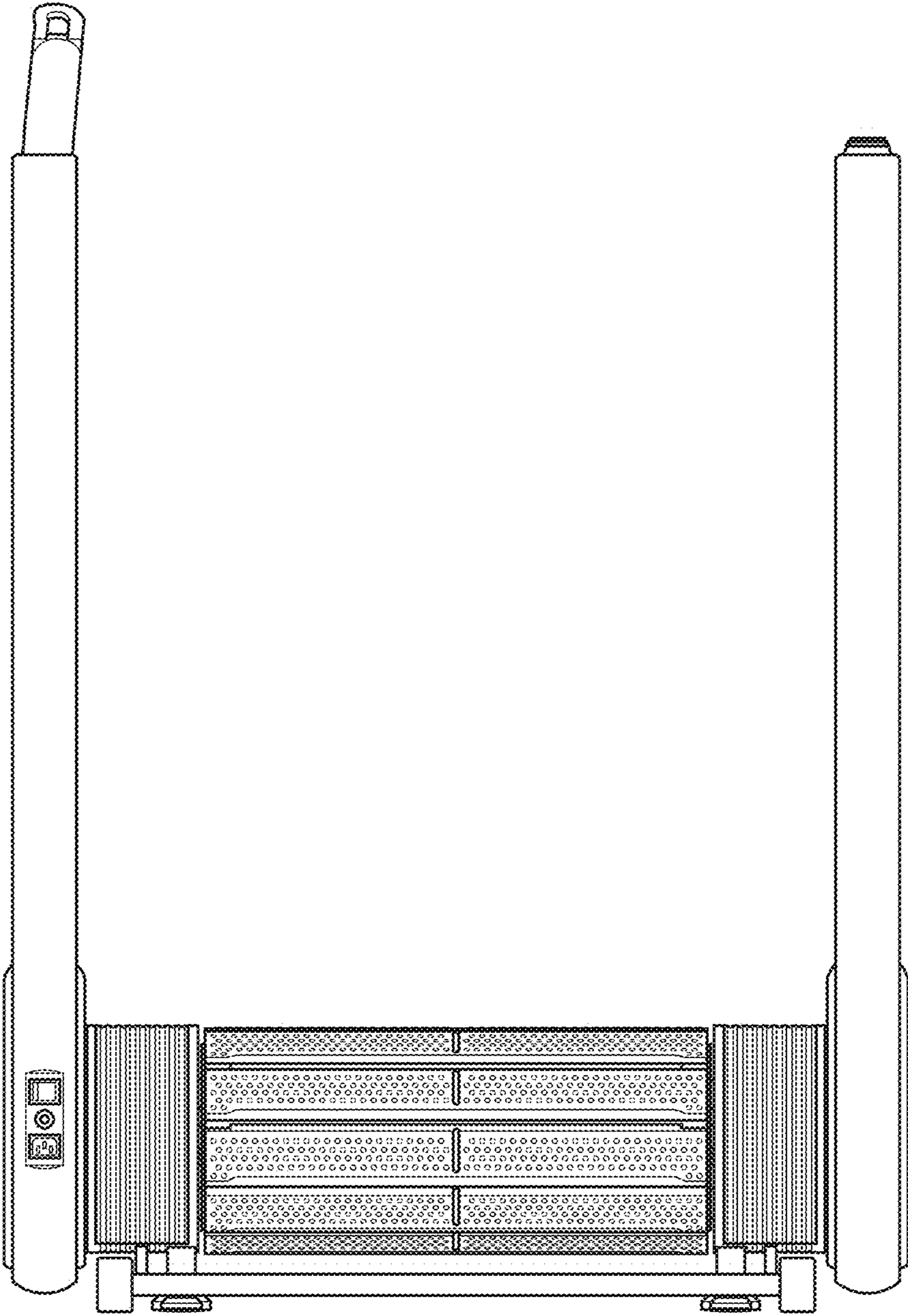


FIG. 17

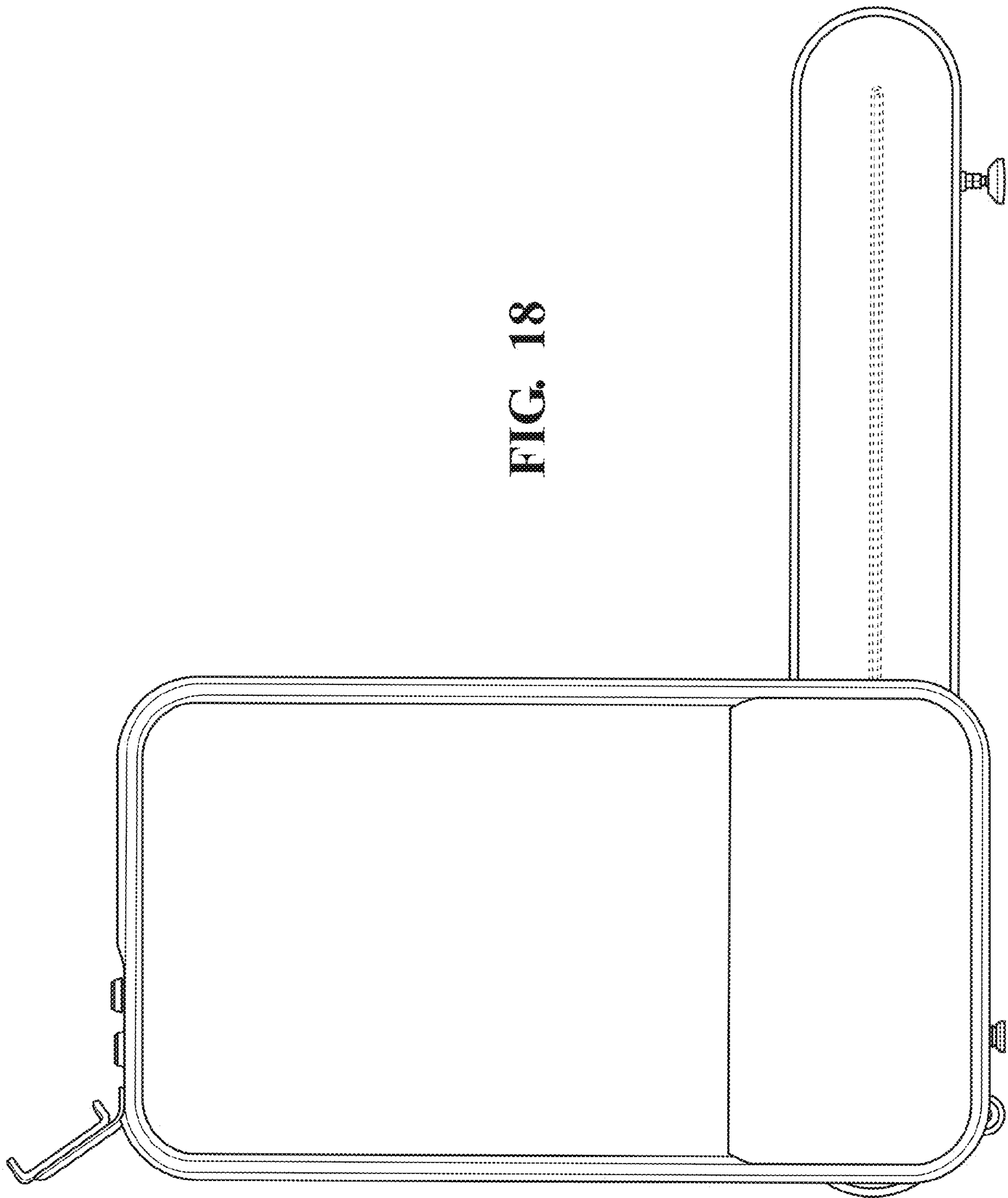


FIG. 18

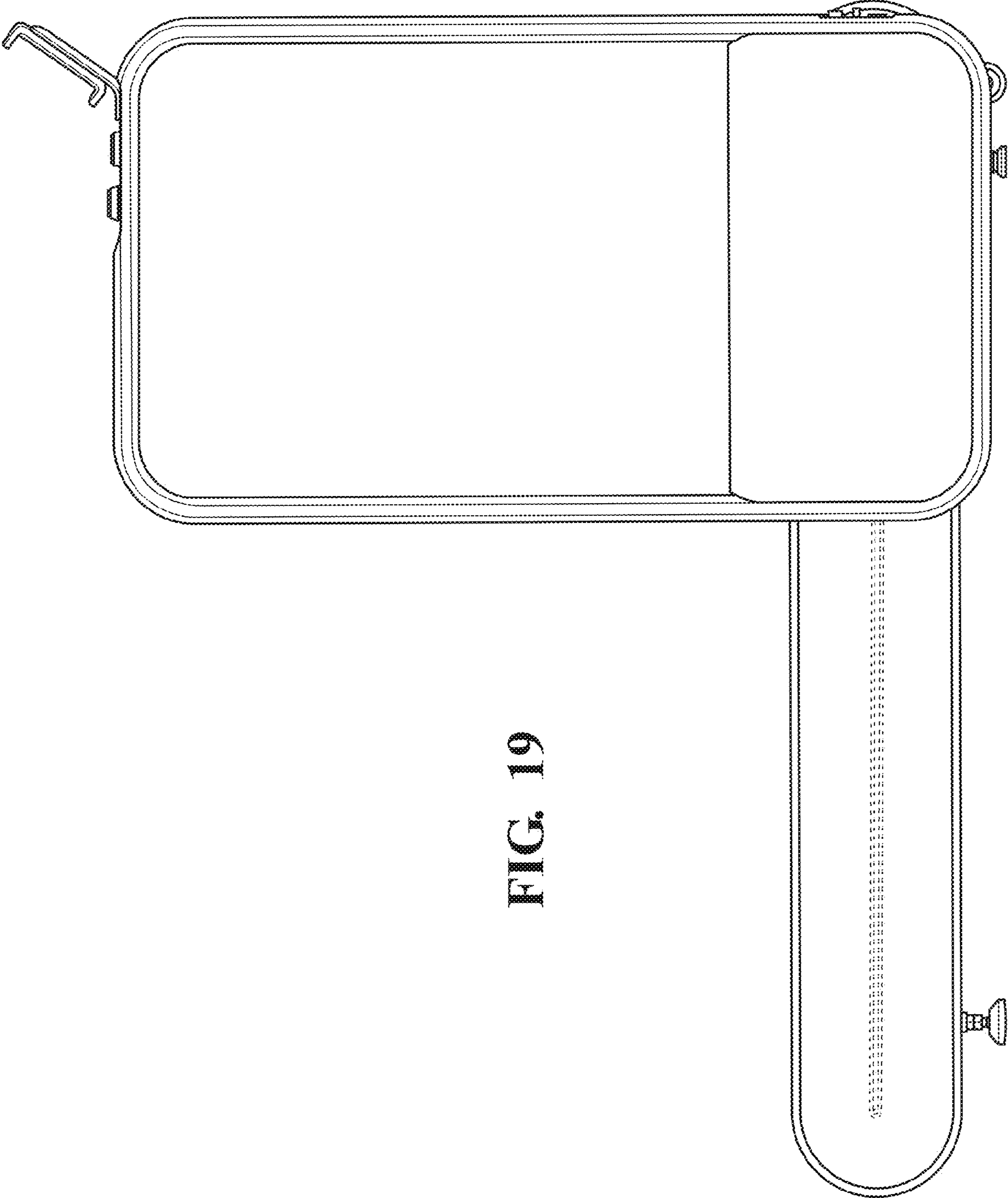


FIG. 19

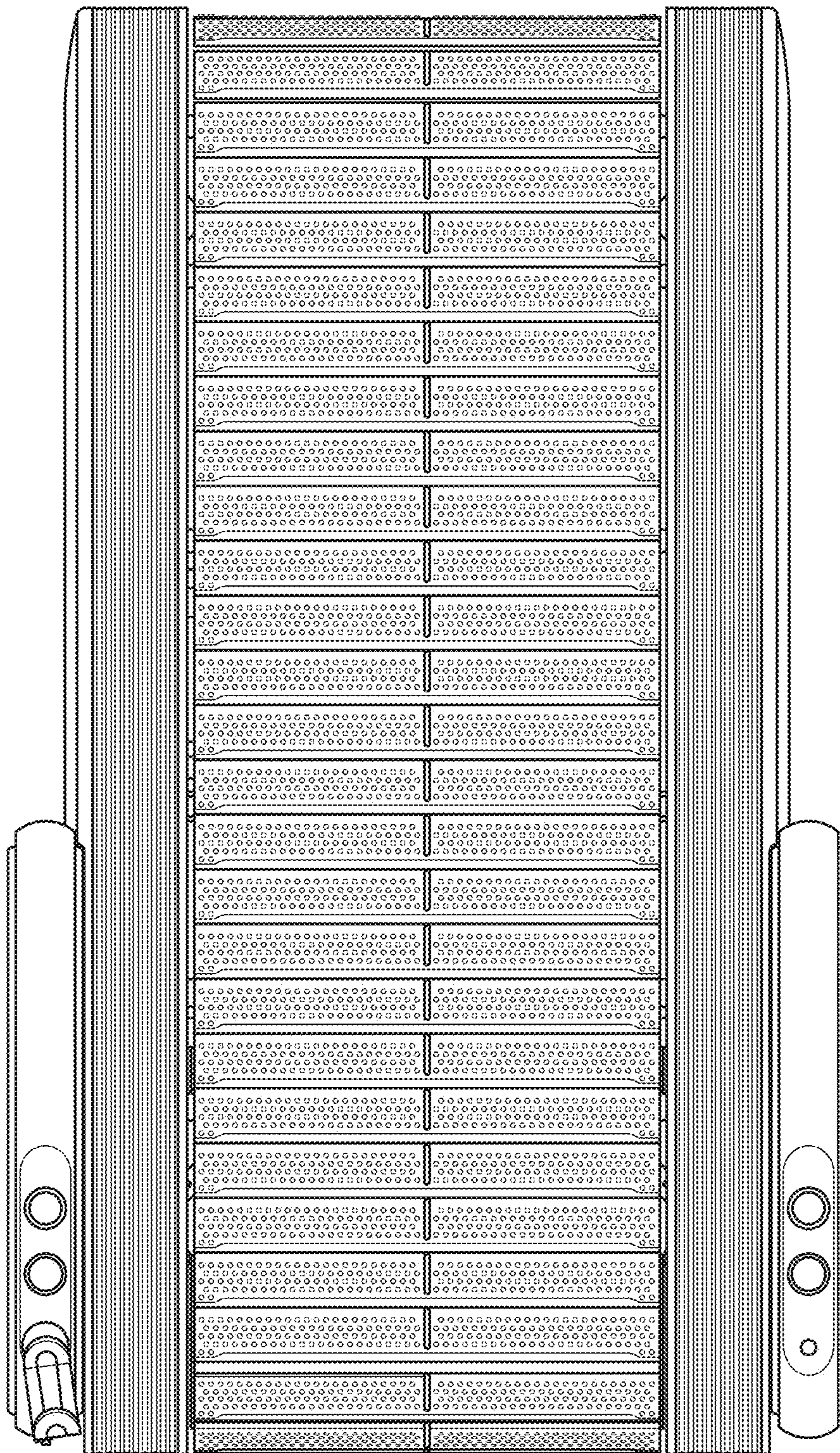


FIG. 20

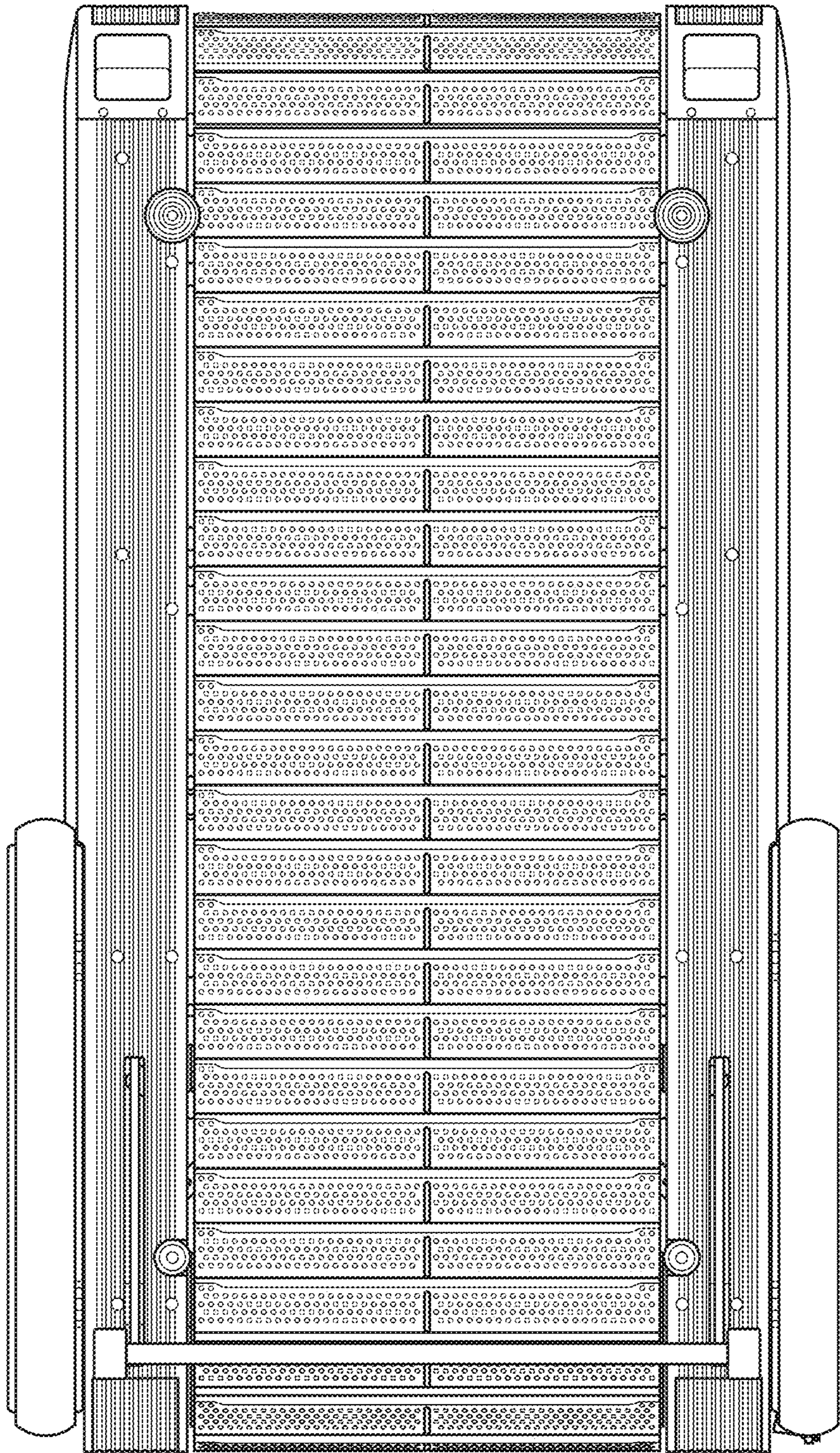


FIG. 21