



US00D934351S

(12) **United States Design Patent** (10) **Patent No.:** **US D934,351 S**
Guang (45) **Date of Patent:** **** Oct. 26, 2021**

(54) **BUILDING BLOCK**

D443,659 S * 6/2001 Jang D21/500
D449,170 S * 10/2001 Kim D6/349
D463,866 S * 10/2002 Jang D21/500

(71) Applicant: **Shenzhen New Tooltech Technology Ltd., Shenzhen (CN)**

(Continued)

(72) Inventor: **Yuan Chun Guang, Shenzhen (CN)**

FOREIGN PATENT DOCUMENTS

(**) Term: **15 Years**

EM 003771955-0004 * 3/2017
KR 300827957.0000 * 12/2015
RU 00038842 * 3/1994

(21) Appl. No.: **29/716,196**

OTHER PUBLICATIONS

(22) Filed: **Dec. 6, 2019**

(51) **LOC (13) Cl.** **21-01**

(52) **U.S. Cl.**
USPC **D21/500**

(58) **Field of Classification Search**
USPC D21/478, 479, 484–505; D25/112–118
CPC A63H 33/00; A63H 33/04; A63H 33/06;
A63H 33/08; A63H 33/086; A63H 33/10;
A63H 33/12; A63H 33/14; E04B 2/08;
A63F 9/12; G09B 1/36

Most Fashionable Decorative Plastic Ever Block—ECeurope Market <https://www.eceurope.com/furniture-and-furnishings/home-furnishing-adornments/most-fashionable-decorative-plastic-ever-block-diy-purpose-for-party-i81789.html> Posted Jan. 9, 2019 (Year: 2019).*

(Continued)

See application file for complete search history.

Primary Examiner — Leanne Was-Englehart
(74) *Attorney, Agent, or Firm* — Law Office of Michael O'Brien; Michael O'Brien

(56) **References Cited**

(57) **CLAIM**

The ornamental design for a building block, as shown and described.

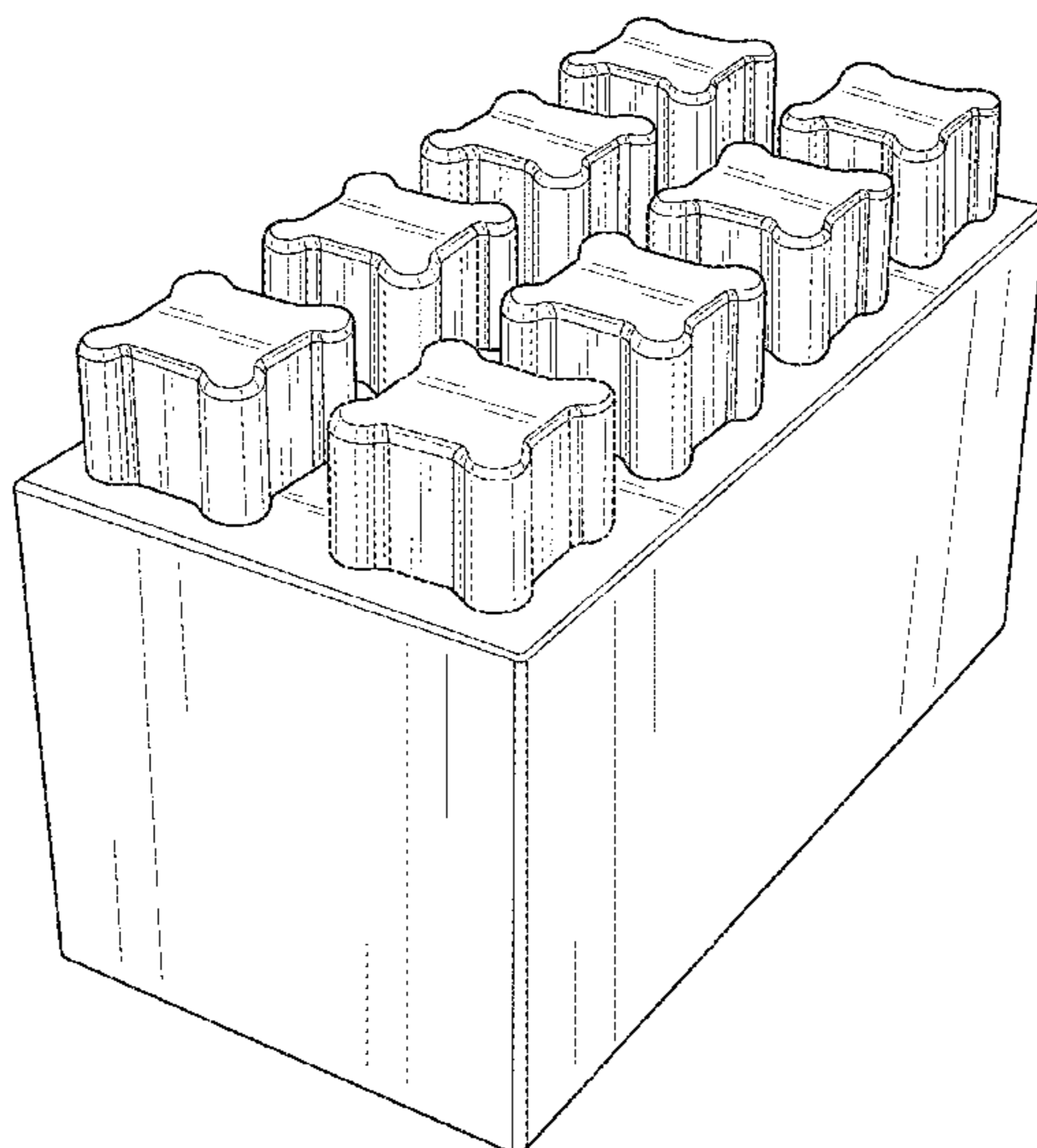
U.S. PATENT DOCUMENTS

DESCRIPTION

349,646 A * 9/1886 Grigg A63H 33/086
446/128
D148,930 S * 3/1948 Hickman D21/499
4,823,532 A * 4/1989 Westerburgen A63H 33/08
446/122
D350,785 S * 9/1994 Kushner D21/500
D352,743 S * 11/1994 Kushner D21/500
D352,745 S * 11/1994 Kushner D21/500
D352,750 S * 11/1994 Kushner D21/485
D385,926 S * 11/1997 Nielsen D21/485
D387,398 S * 12/1997 Øhrwald D21/503
D394,287 S * 5/1998 Jensen D21/500
5,795,210 A * 8/1998 Kushner A63H 33/086
446/117
5,876,261 A * 3/1999 Bach A63H 33/044
446/105
6,179,685 B1 * 1/2001 Toft A63H 3/52
446/390

FIG. 1 is a front perspective view of a building block.
FIG. 2 is a front view thereof;
FIG. 3 is a rear view thereof;
FIG. 4 is a left side view thereof;
FIG. 5 is a right side view thereof;
FIG. 6 is a top view thereof; and,
FIG. 7 is a bottom view thereof.
The solid line showing illustrates the claimed features within the design for the claimed article of manufacture. The broken lines depict portions of the building block that form no part of the claimed design. The shading is provided to illustrate contour only and is not an indication of texture, gloss, etc.

1 Claim, 7 Drawing Sheets



(56)

References Cited

U.S. PATENT DOCUMENTS

6,634,920	B1 *	10/2003	Michaelsen	A63H 33/04 446/128
D674,917	S *	1/2013	Nanayakkara	D25/113
D701,973	S *	4/2014	Holcomb	D25/113
D786,586	S *	5/2017	Rosan	D6/641
D791,885	S *	7/2017	Rosan	D21/500
D799,606	S *	10/2017	Sprague	D21/493
D800,846	S *	10/2017	Rosan	D21/500
D809,162	S *	1/2018	Rosan	D25/115
10,196,826	B1 *	2/2019	Rosan	E04F 15/02452
2013/0165013	A1 *	6/2013	Chin	A63H 33/086 446/124
2015/0240485	A1 *	8/2015	Yesil	E04B 5/026 52/309.13
2015/0336018	A1 *	11/2015	Chin	A63H 33/08 446/124
2019/0352902	A1 *	11/2019	Yesil	E04C 1/00
2020/0206647	A1 *	7/2020	Jenner	E04B 2/32

OTHER PUBLICATIONS

Rosan, Arnon, LEGO® expanded all of our imaginations, EverBlock® allows us to think life-sized available at: <https://www.everblocksystems.com/blog/2015/1/22/giant-lego-like-blocks> (Jan. 22, 2015).

Dunne, Carey, Giant Lego-Like Blocks Let Kids Build Better Forts, available at: <https://www.fastcompany.com/3030316/giant-lego-like-blocks-let-kids-build-better-forts> (May 9, 2014).

McGauley, Joe, In The Future We'll Build Houses With Giant LEGOs, available at: <https://www.thrillist.com/home/kite-smart-bricks-are-giant-legos-that-build-houses> (Aug. 15, 2014).

Giant LEGOS, available at: <https://odditymall.com/giant-legos> (Apr. 4, 2013).

Fallon, Sean, LunaBlocks: Build Your Own Lego Furniture, available at <https://gizmodo.com/lunablocks-build-your-own-lego-furniture-5013214> (Jun. 4, 2008).

* cited by examiner

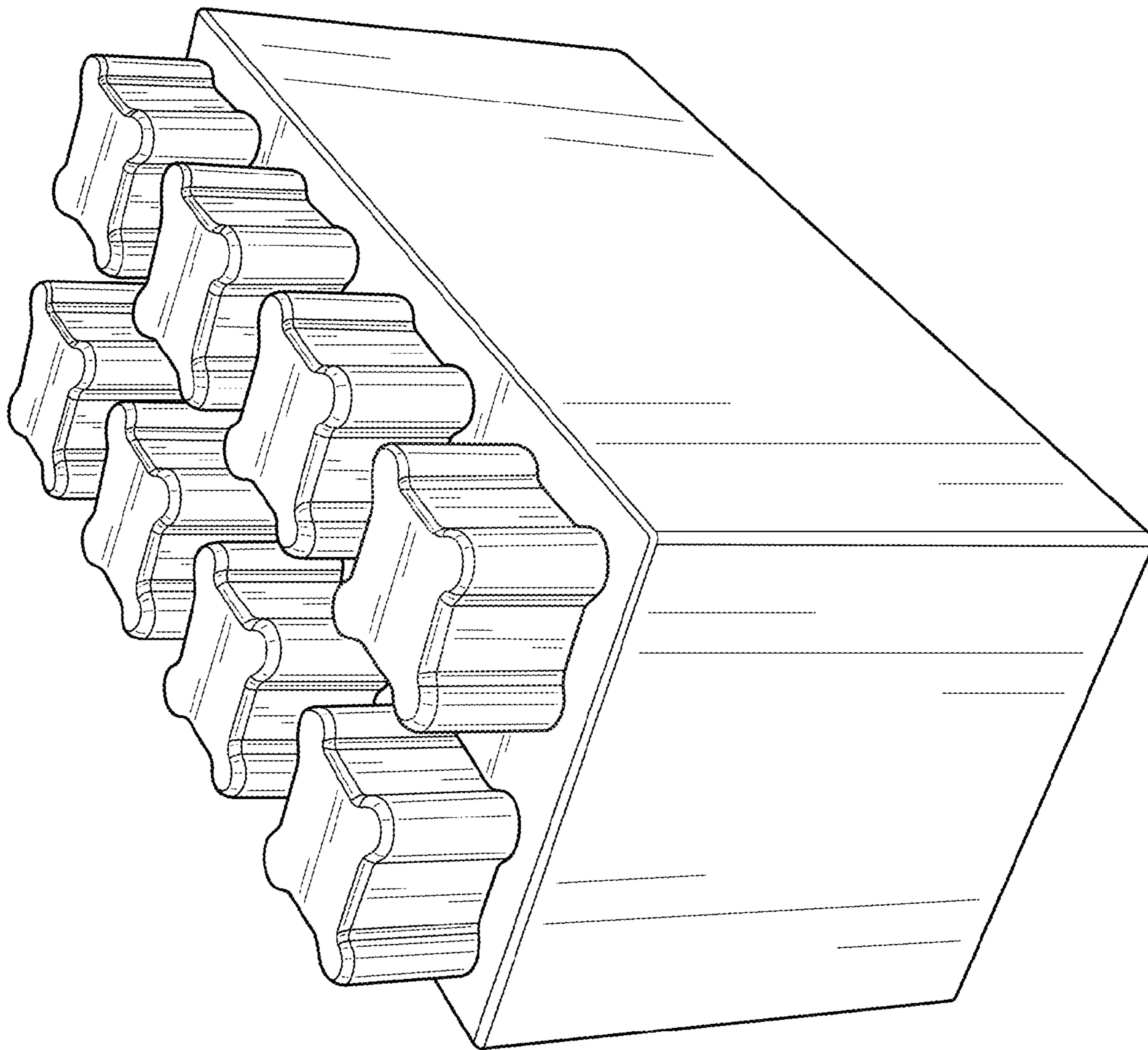


FIG. 1

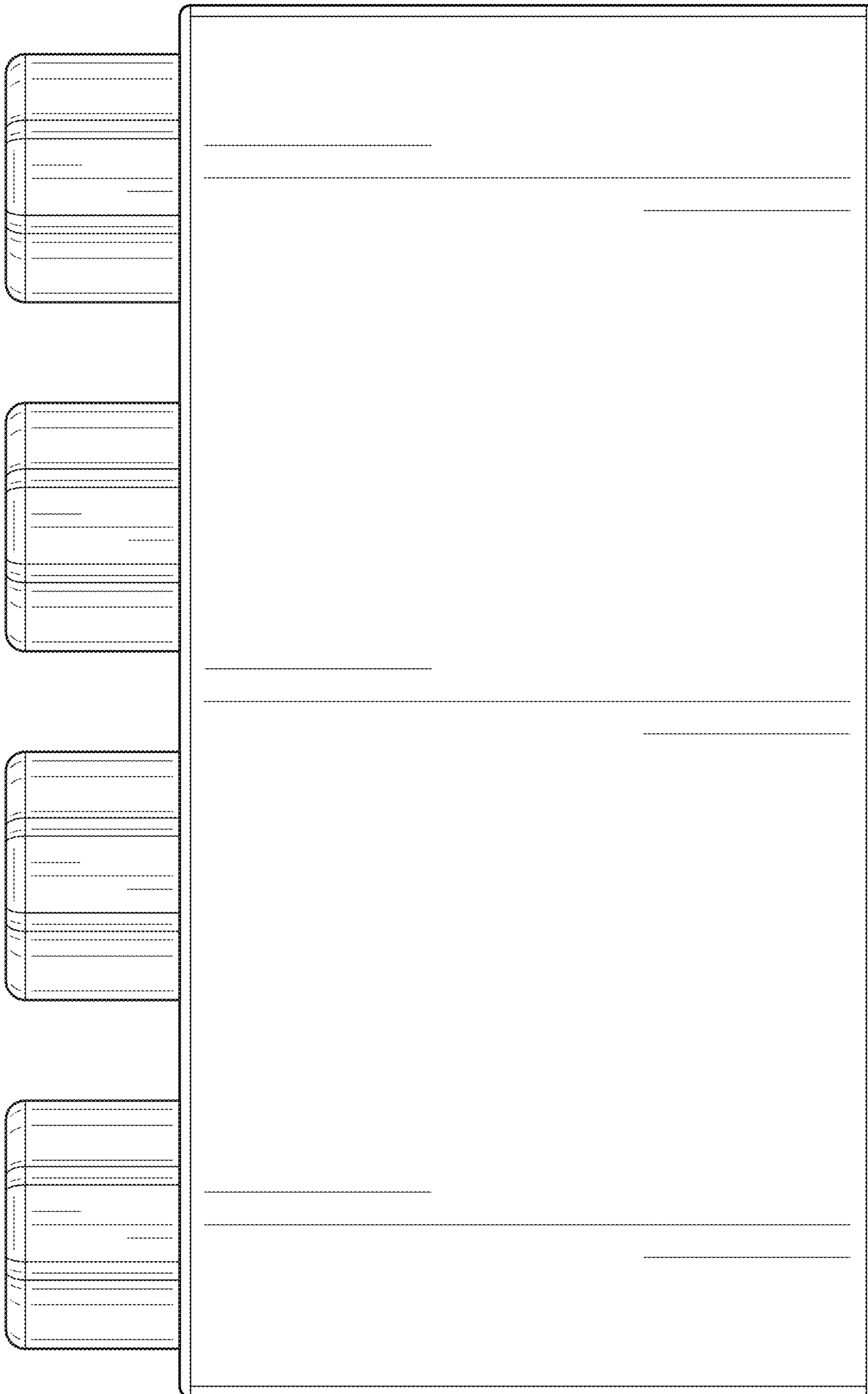


FIG. 2

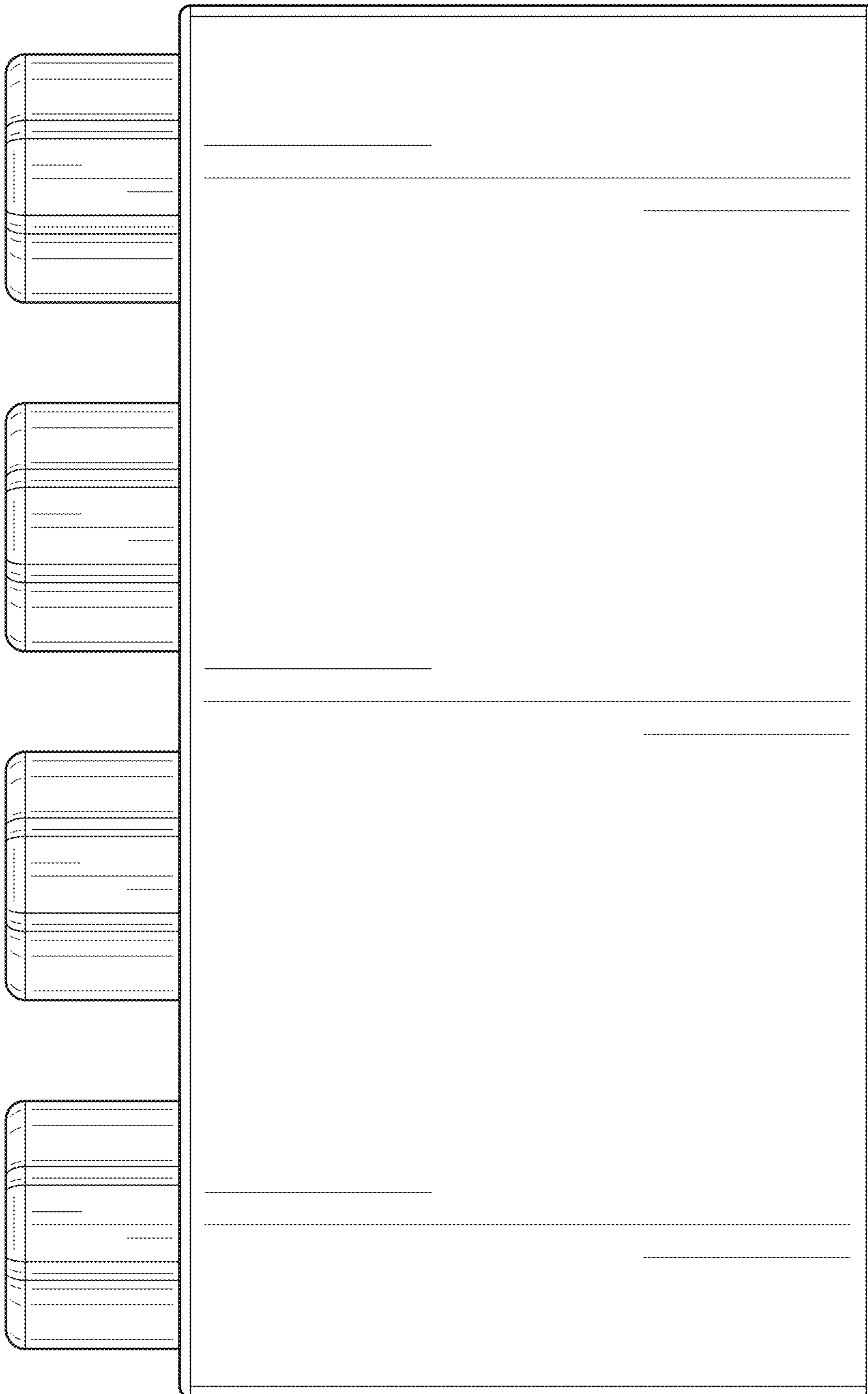


FIG. 3

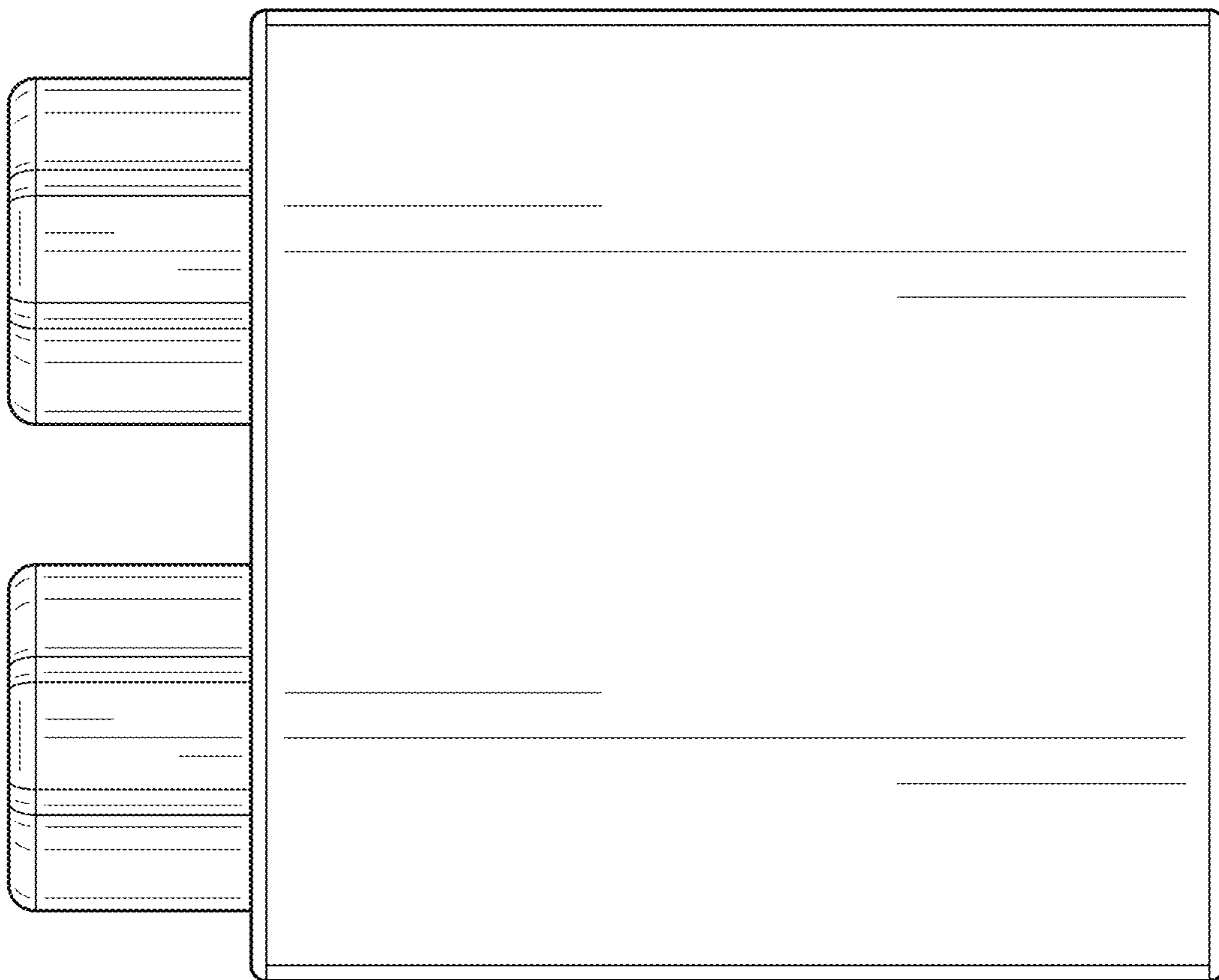


FIG. 4

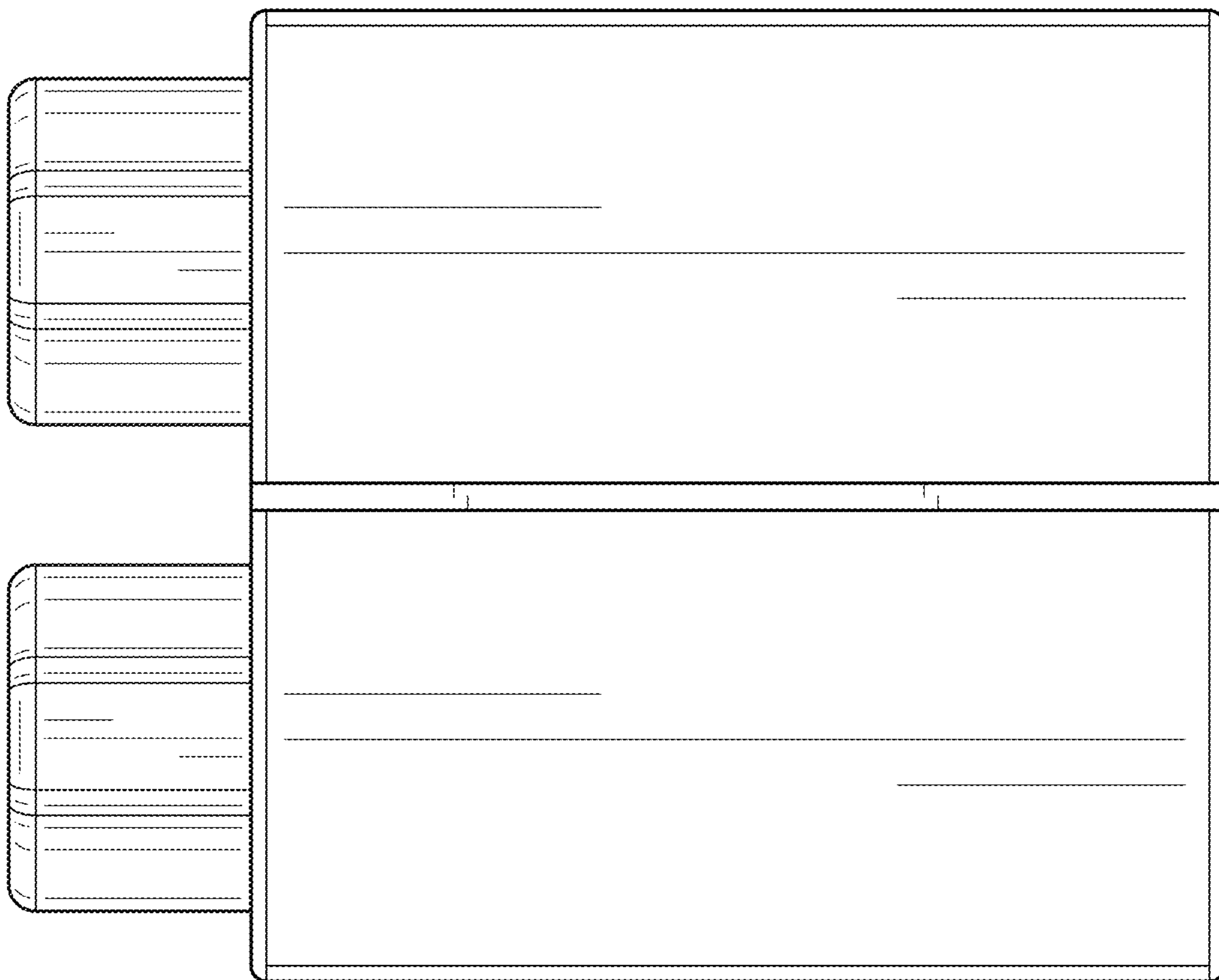


FIG. 5

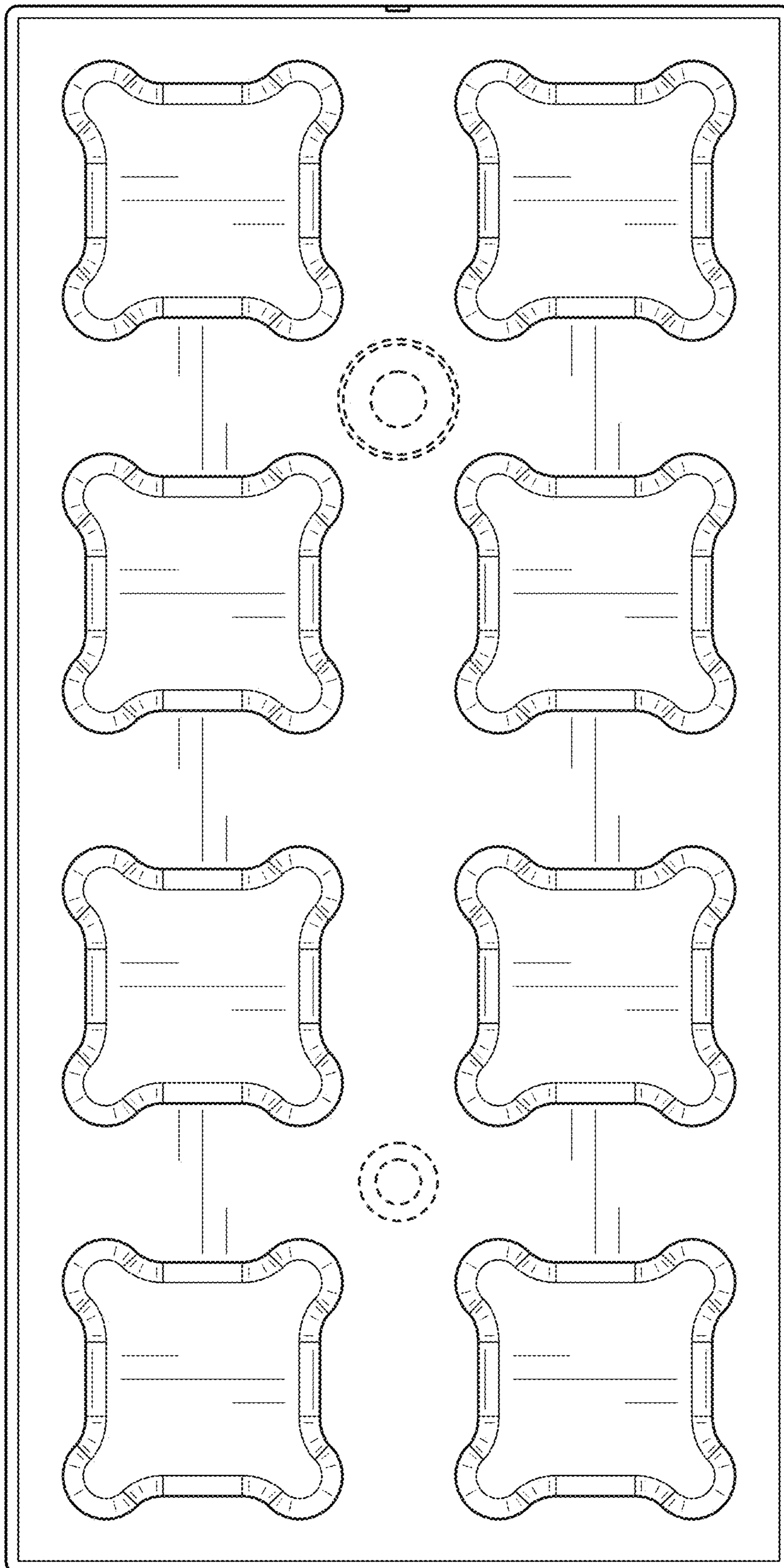


FIG. 6

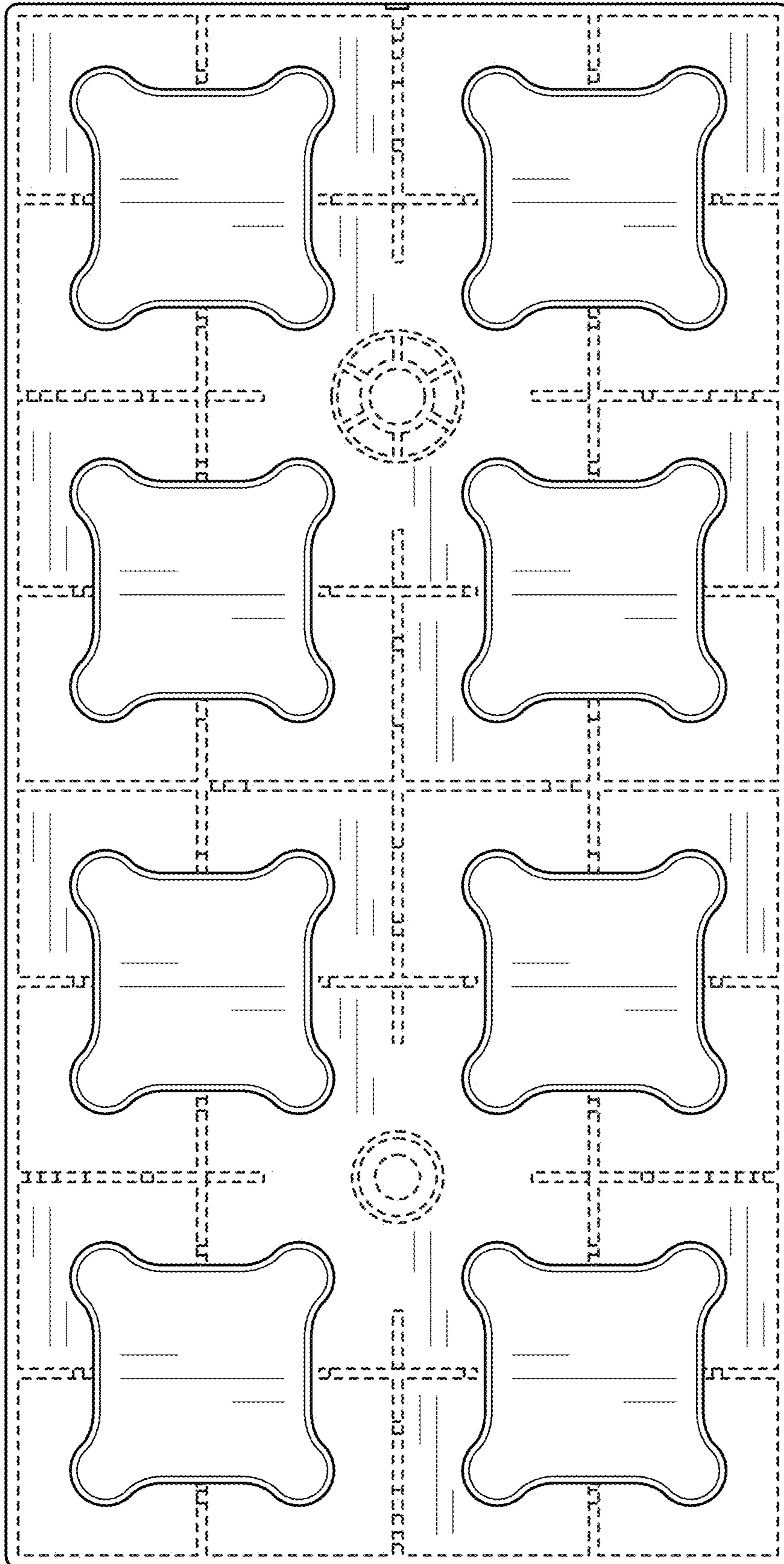


FIG. 7